



US00D613696S

(12) **United States Design Patent**
Takemoto

(10) **Patent No.:** **US D613,696 S**
(45) **Date of Patent:** **** Apr. 13, 2010**

(54) **ELECTRICAL CONNECTOR**

JP D1337663 S 8/2008

(75) Inventor: **Masatoshi Takemoto**, Kanagawa (JP)

* cited by examiner

(73) Assignee: **I-PEX Co., Ltd.** (JP)

Primary Examiner—Daniel D Bui
(74) *Attorney, Agent, or Firm*—Studebaker & Brackett PC;
Donald R. Studebaker

(**) Term: **14 Years**

(21) Appl. No.: **29/343,052**

(57) **CLAIM**

(22) Filed: **Sep. 4, 2009**

The ornamental design for an electrical connector, as shown and described.

(30) **Foreign Application Priority Data**

Jun. 18, 2009 (JP) 2009-013827

DESCRIPTION

(51) **LOC (9) Cl.** **13-03**

(52) **U.S. Cl.** **D13/147**

(58) **Field of Classification Search** D13/133,
D13/146–147, 154, 184; 439/64, 79, 108,
439/159–160, 260, 325–326, 329, 357, 394–395,
439/422, 492, 499, 607–610, 629–630, 660,
439/946

FIG. 1 is a top plan view of an electrical connector, showing my new design;

FIG. 2 is a front elevation view thereof;

FIG. 3 is a bottom plan view thereof;

FIG. 4 is a rear elevation view thereof;

FIG. 5 is a right side view thereof, the left side view thereof is a mirror image thereto;

See application file for complete search history.

FIG. 6 is a front, top and right side perspective view thereof;

FIG. 7 is a front, bottom and left side perspective view thereof; and,

(56) **References Cited**

U.S. PATENT DOCUMENTS

D466,080 S * 11/2002 Ko D13/147
D497,594 S * 10/2004 Hisamatsu et al. D13/147
D529,445 S * 10/2006 Ro D13/147
D580,869 S * 11/2008 Miyazaki D13/147
D590,777 S * 4/2009 Tanaka D13/147
D591,241 S * 4/2009 Yang D13/147

FIG. 8 is another front, top and right side perspective view thereof, in use condition.

The broken line portion in the figure drawing views is included to show unclaimed environmental structure only and forms no part of the claimed design.

FOREIGN PATENT DOCUMENTS

JP D1290087 S 12/2006

1 Claim, 3 Drawing Sheets

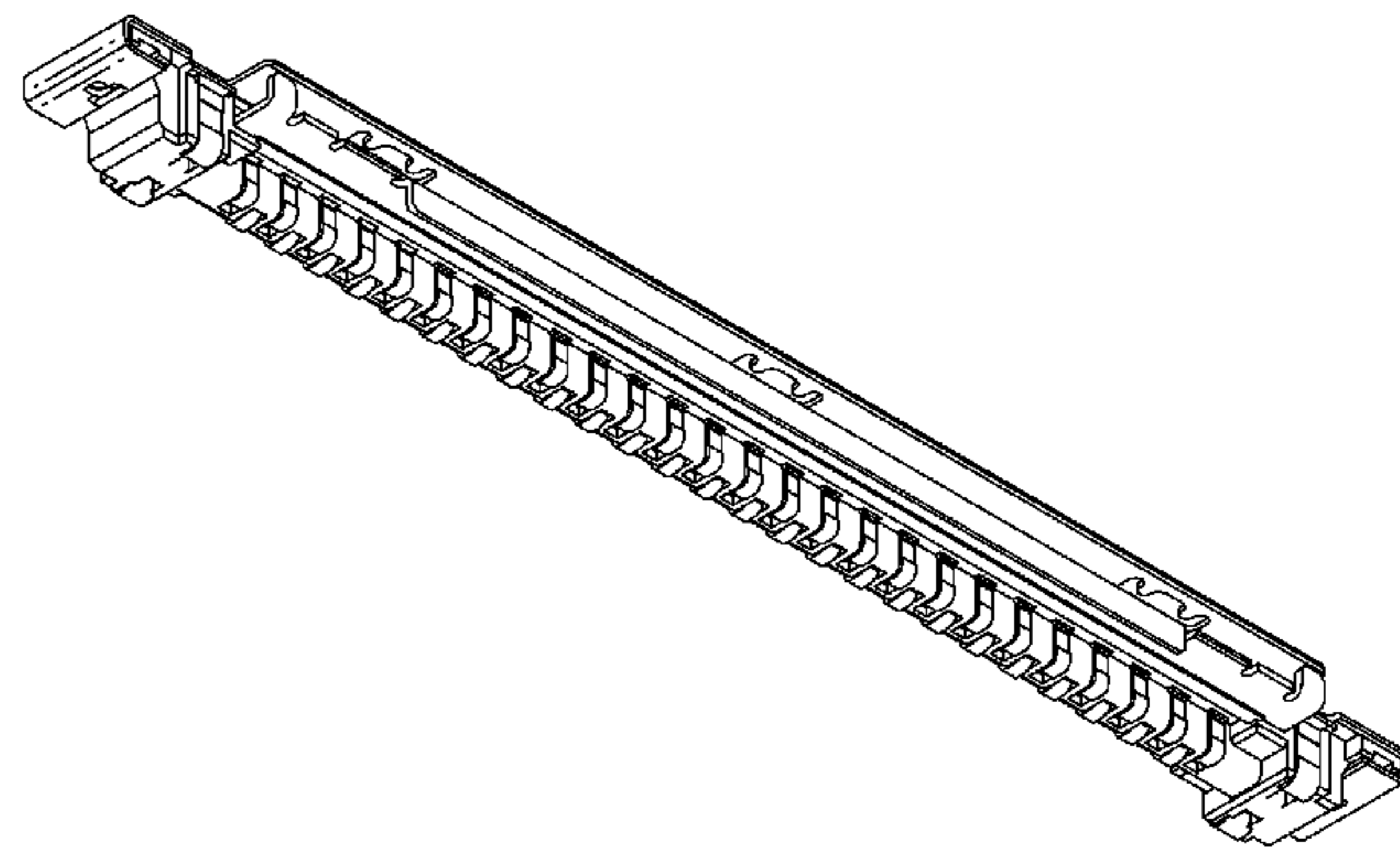
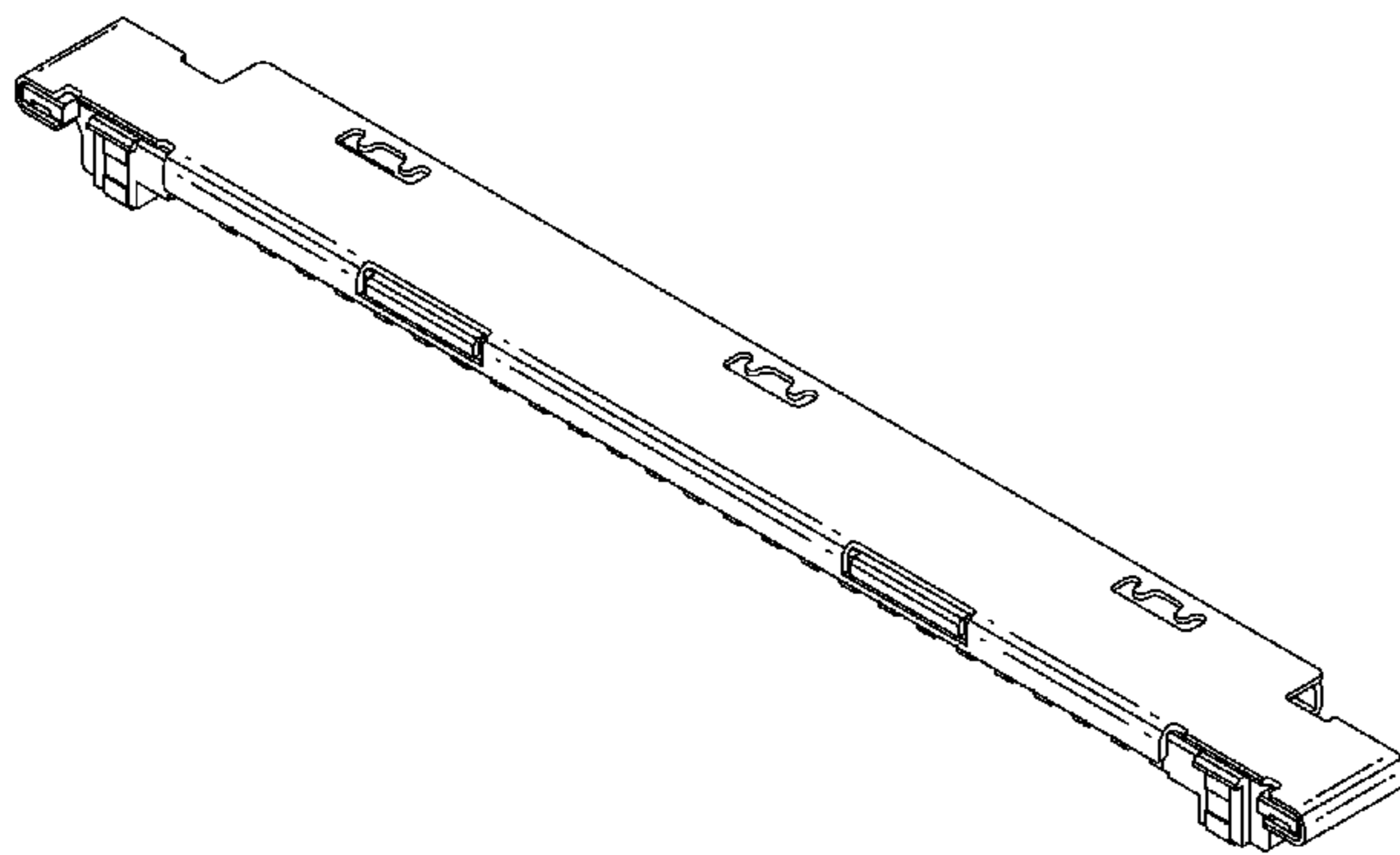


FIG. 1

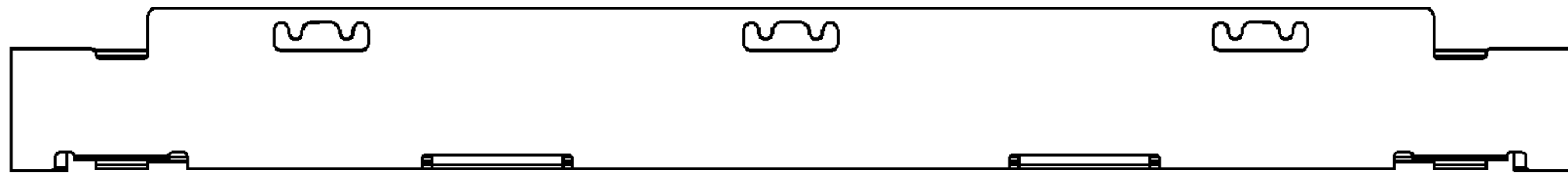


FIG. 2



FIG. 3

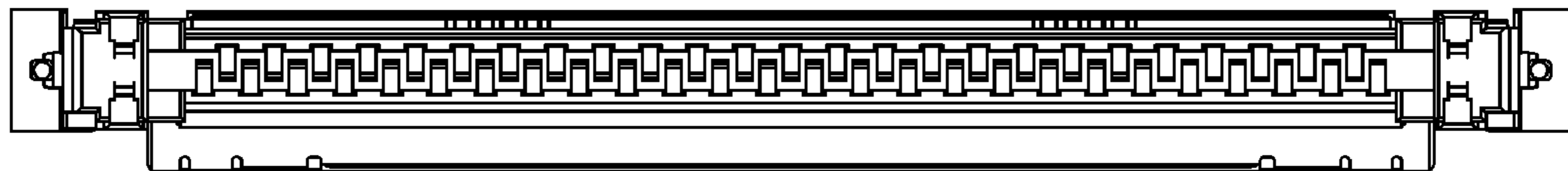


FIG. 4



FIG. 5



FIG. 6

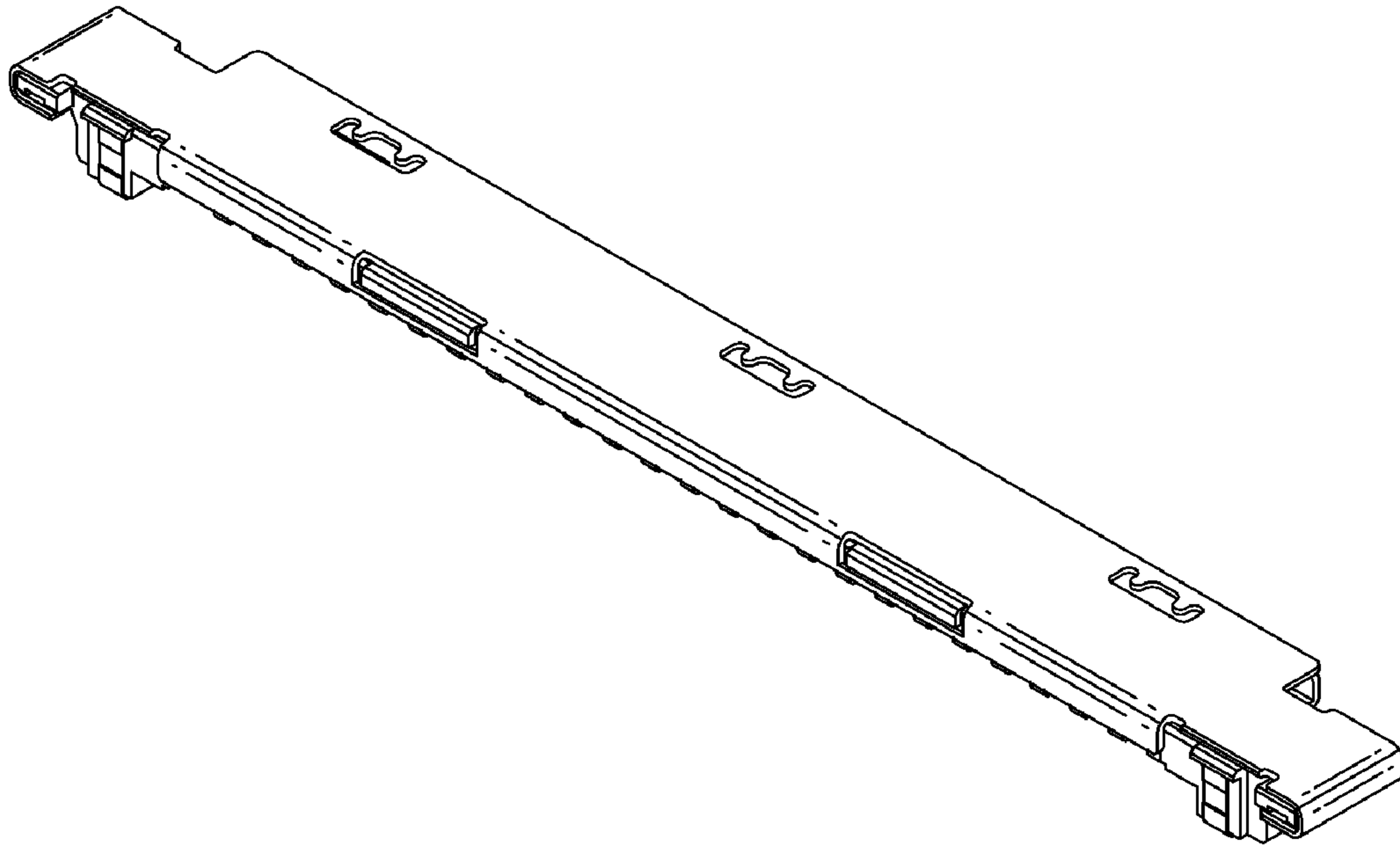


FIG. 7

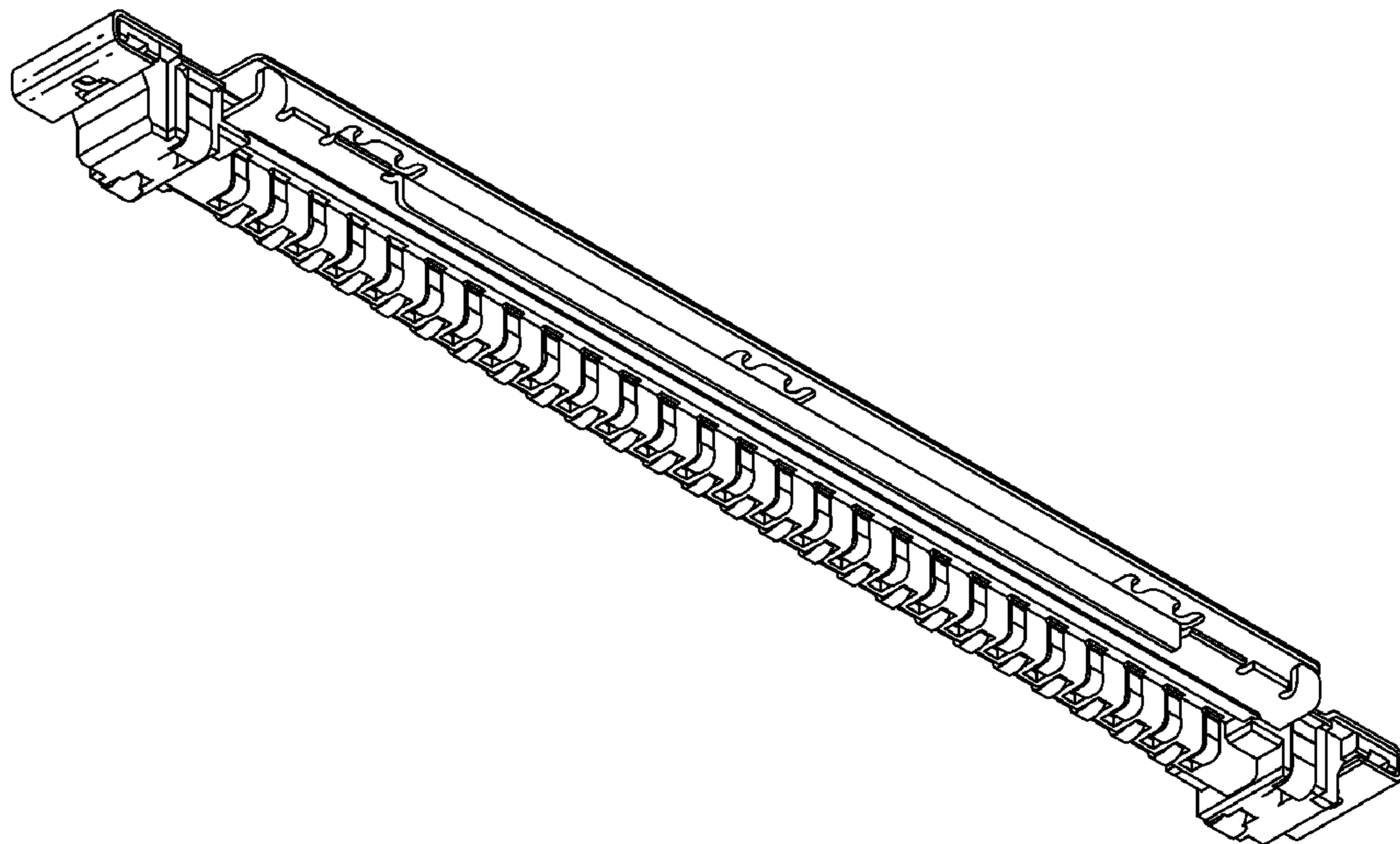


FIG. 8

