



US00D613693S

(12) **United States Design Patent**
Bender

(10) **Patent No.:** **US D613,693 S**
(45) **Date of Patent:** **** Apr. 13, 2010**

(54) **ELECTRICAL CONNECTOR**

(75) Inventor: **Alexander Bender**, Detmold (DE)

(73) Assignee: **Phoenix Contact GmbH & Co. KG**,
Blomberg (DE)

(**) Term: **14 Years**

(21) Appl. No.: **29/328,891**

(22) Filed: **Dec. 3, 2008**

(30) **Foreign Application Priority Data**

Jun. 3, 2008 (EM) 000944624-1-02

(51) **LOC (9) Cl.** **13-03**

(52) **U.S. Cl.** **D13/147**

(58) **Field of Classification Search** D13/120,
D13/133, 146-147, 154, 184; 439/79, 83,
439/607-610, 681, 686, 793, 798, 810
See application file for complete search history.

(56) **References Cited**

U.S. PATENT DOCUMENTS

- 4,861,271 A * 8/1989 Bogar et al. 439/63
- 5,700,986 A * 12/1997 Rurup et al. 200/50.32
- 5,726,619 A * 3/1998 Hohorst et al. 336/192
- D576,561 S * 9/2008 Kaluza D13/162
- D593,951 S * 6/2009 Yoon D13/147

OTHER PUBLICATIONS

Co-pending U.S. Appl. No. 29/328,898, filed Dec. 3, 2008, entitled
"Electrical connector with connecting flange".

* cited by examiner

Primary Examiner—Daniel D Bui

(74) *Attorney, Agent, or Firm*—Darby & Darby

(57) **CLAIM**

The ornamental design an electrical connector, as shown and
described.

DESCRIPTION

FIG. 1 is a front, bottom, and left side perspective view of an
electrical connector, showing my new design;

FIG. 2 is a top plan view thereof;

FIG. 3 is a front elevational view thereof;

FIG. 4 is a left side elevational view thereof;

FIG. 5 is a right side elevational view thereof;

FIG. 6 is a bottom plan view thereof; and,

FIG. 7 is a back elevational view thereof.

The broken line portion in the drawing views is included to
show unclaimed subject matter only and forms no part of the
claimed design.

1 Claim, 7 Drawing Sheets

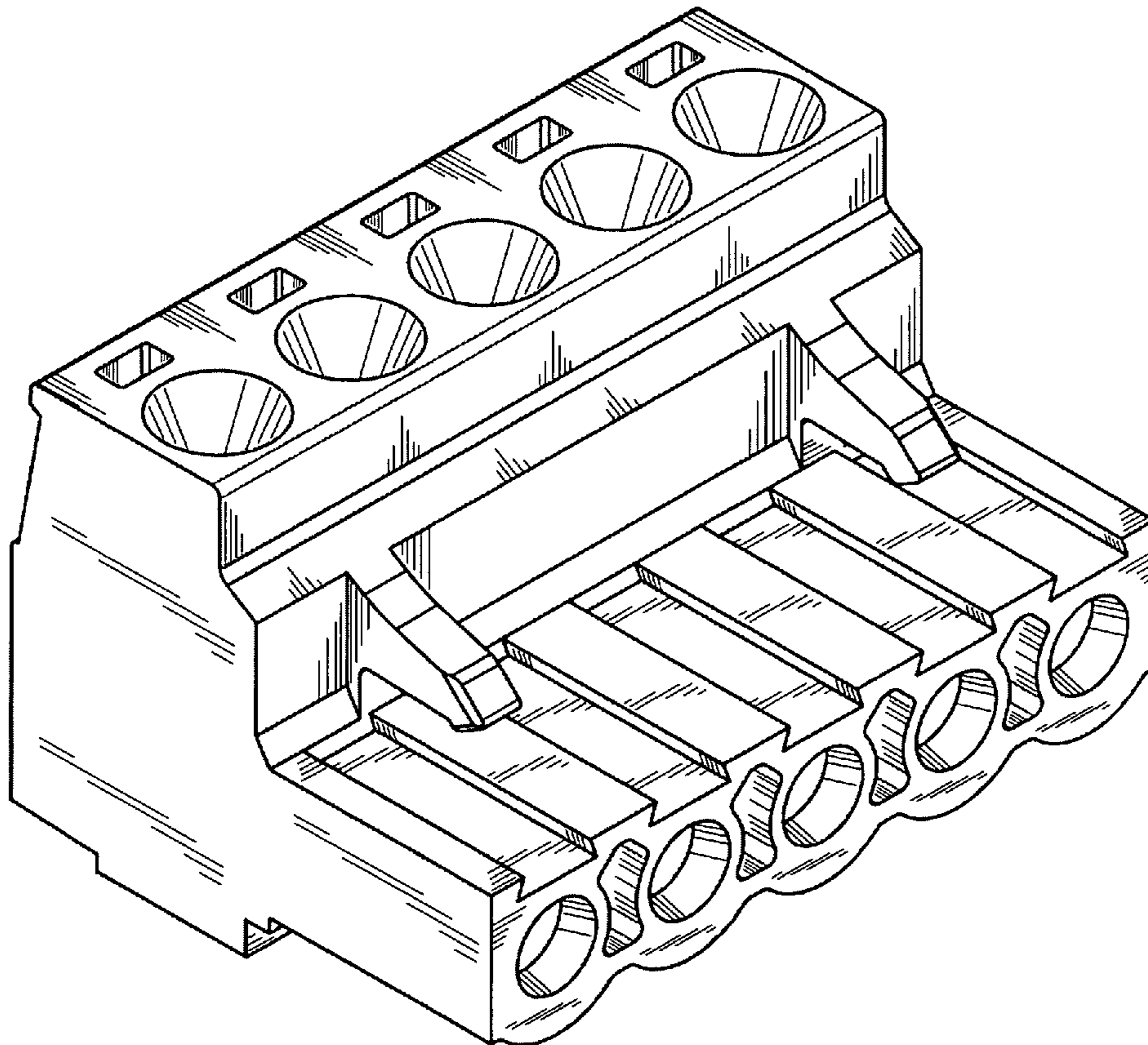


Figure 1

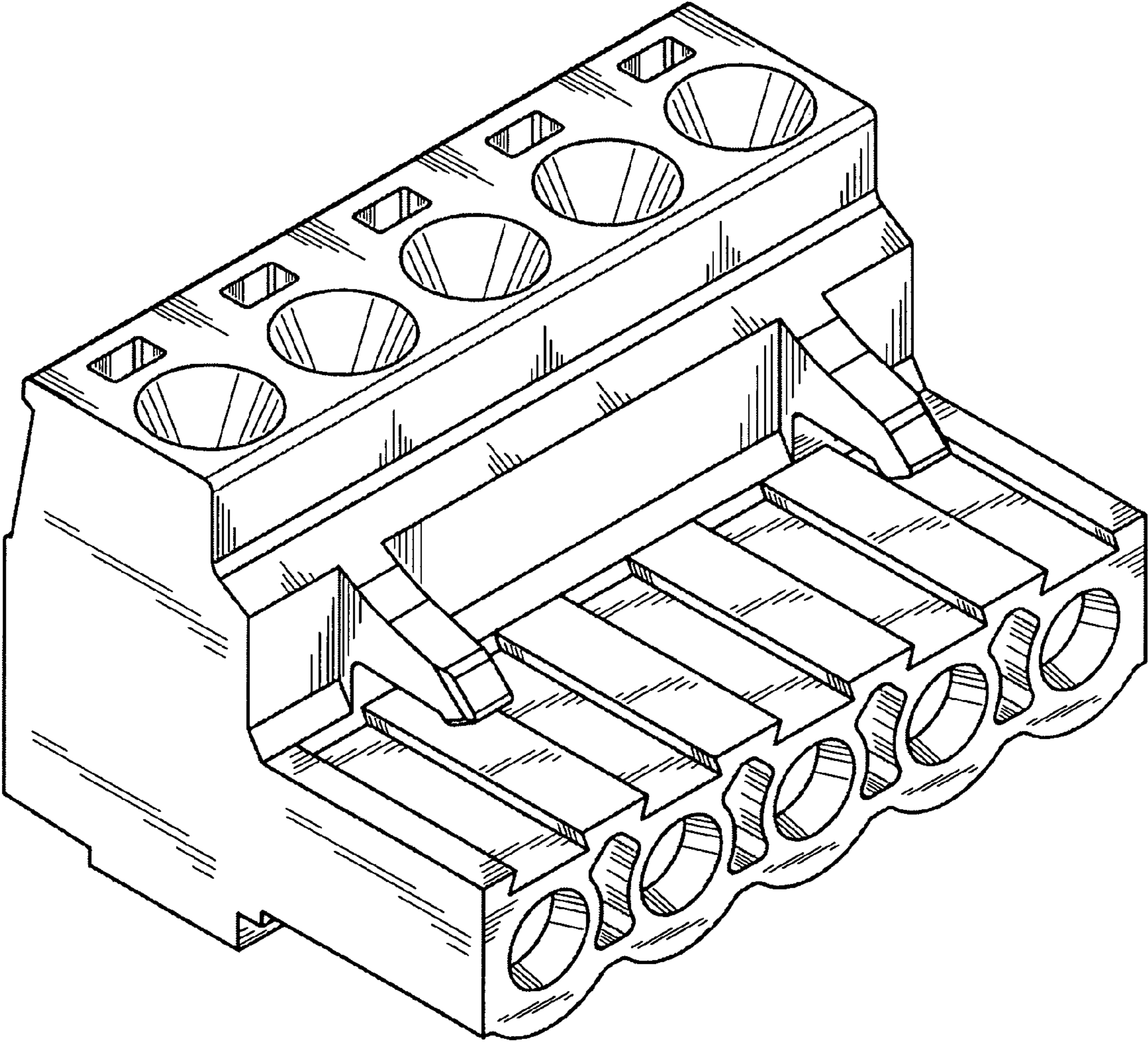


Figure 2

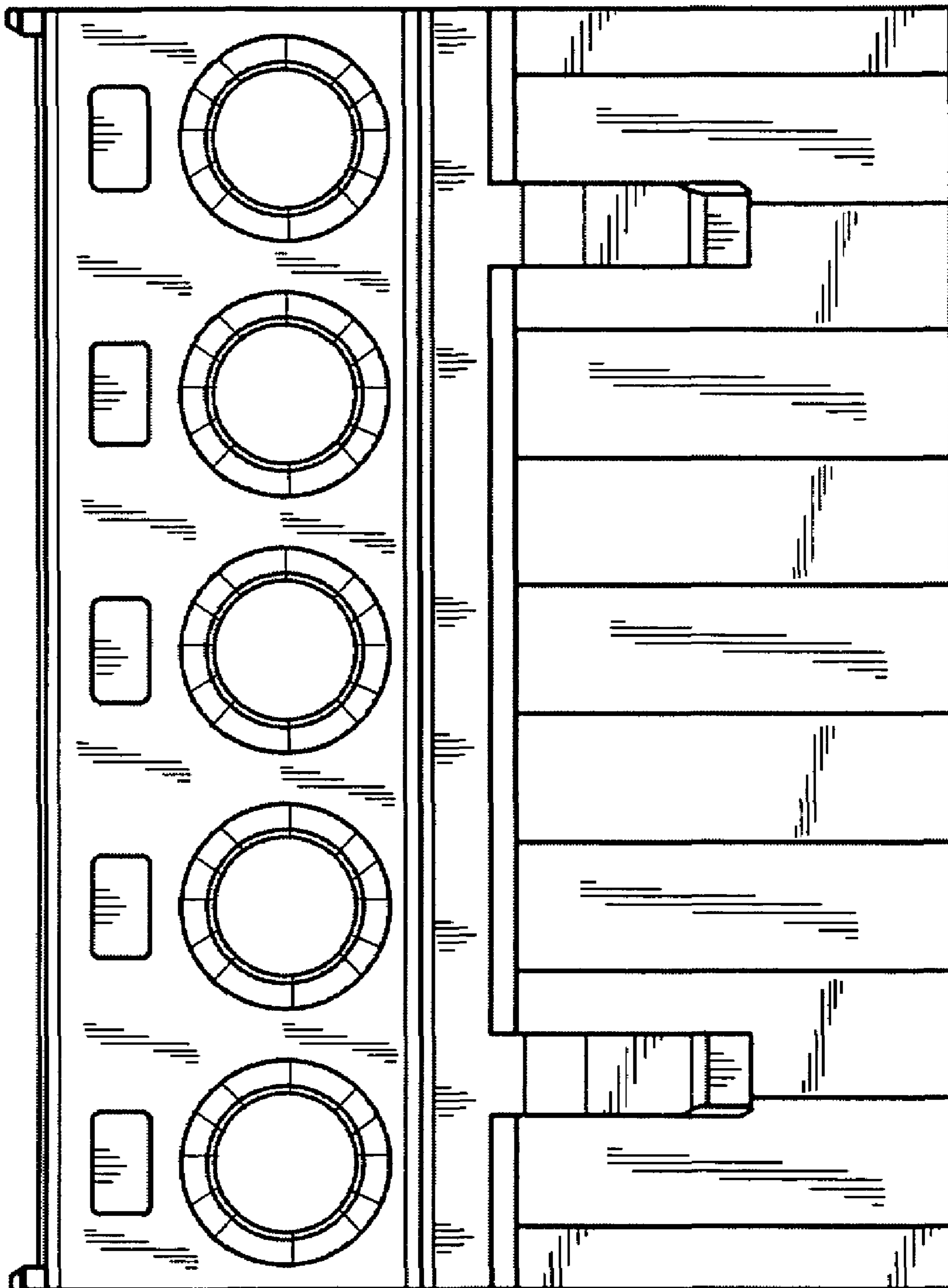


Figure 3

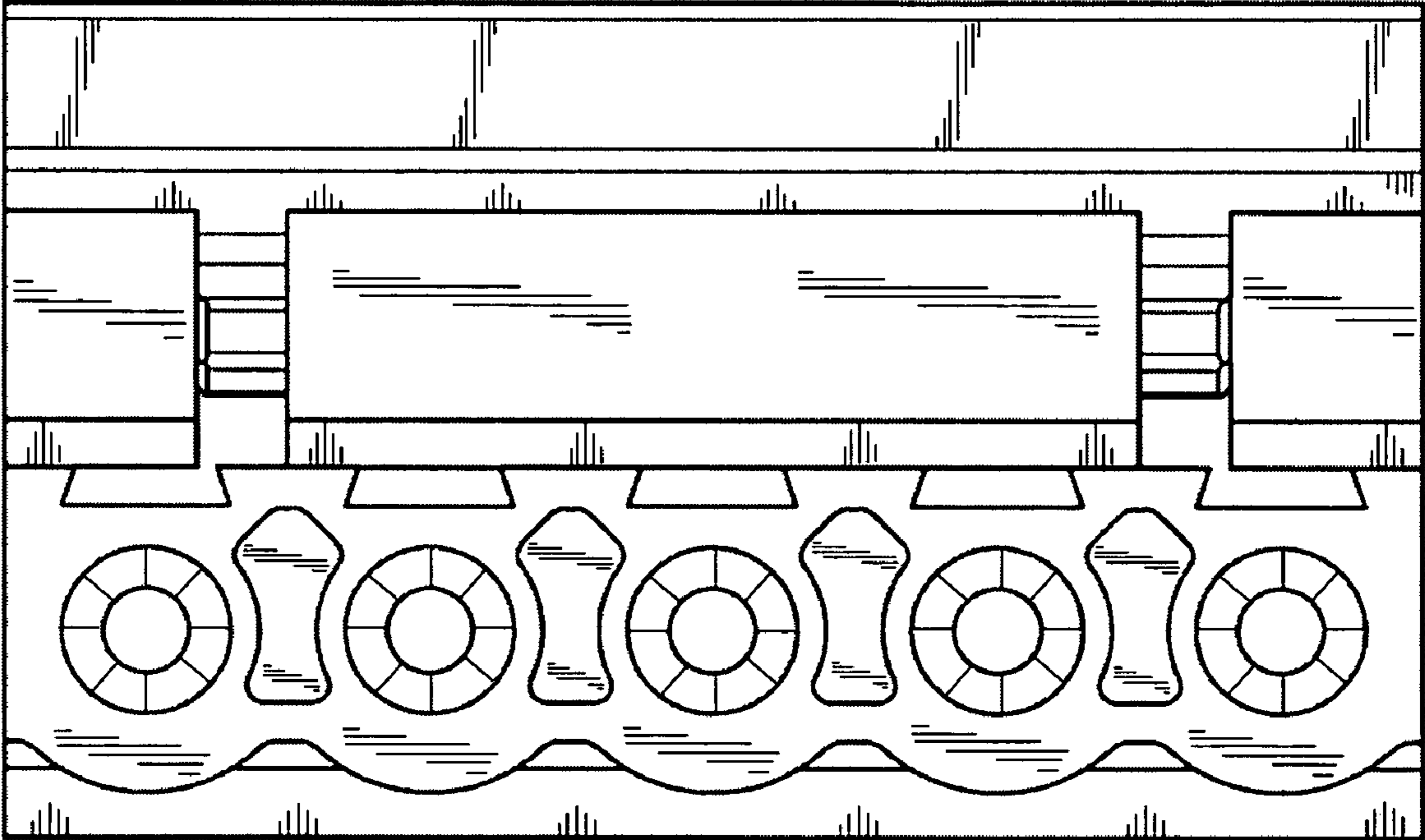


Figure 4

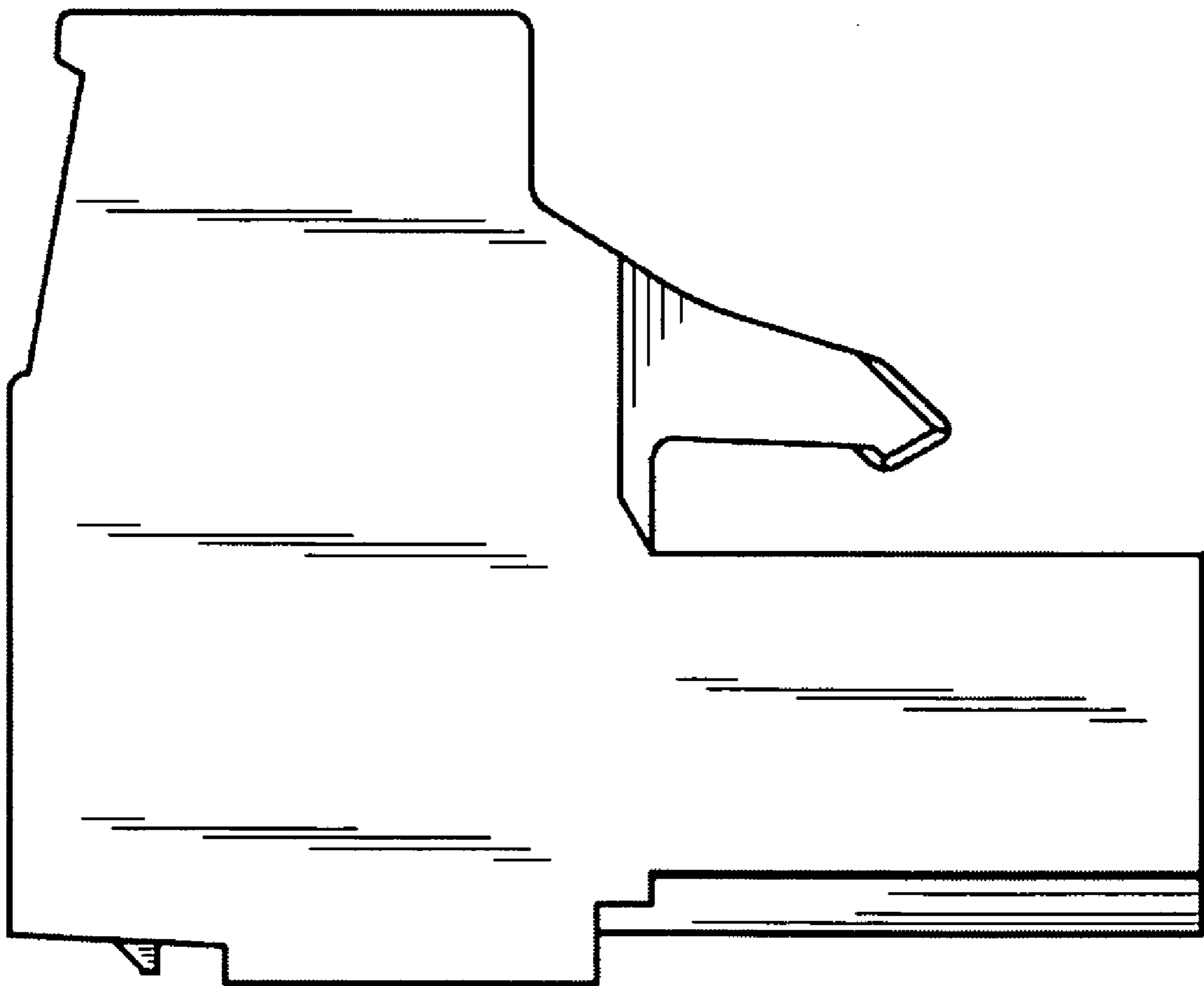


Figure 5

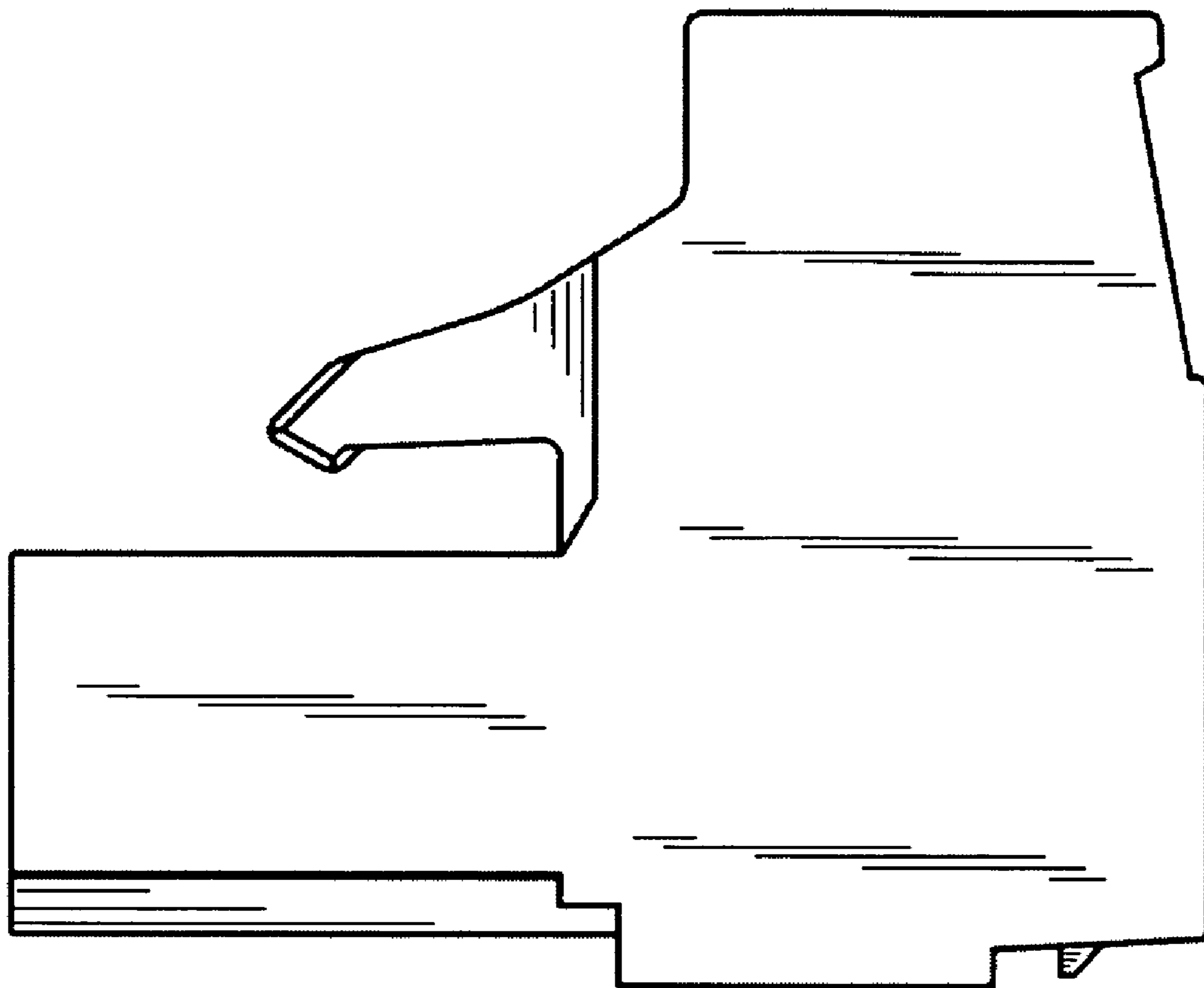


Figure 6

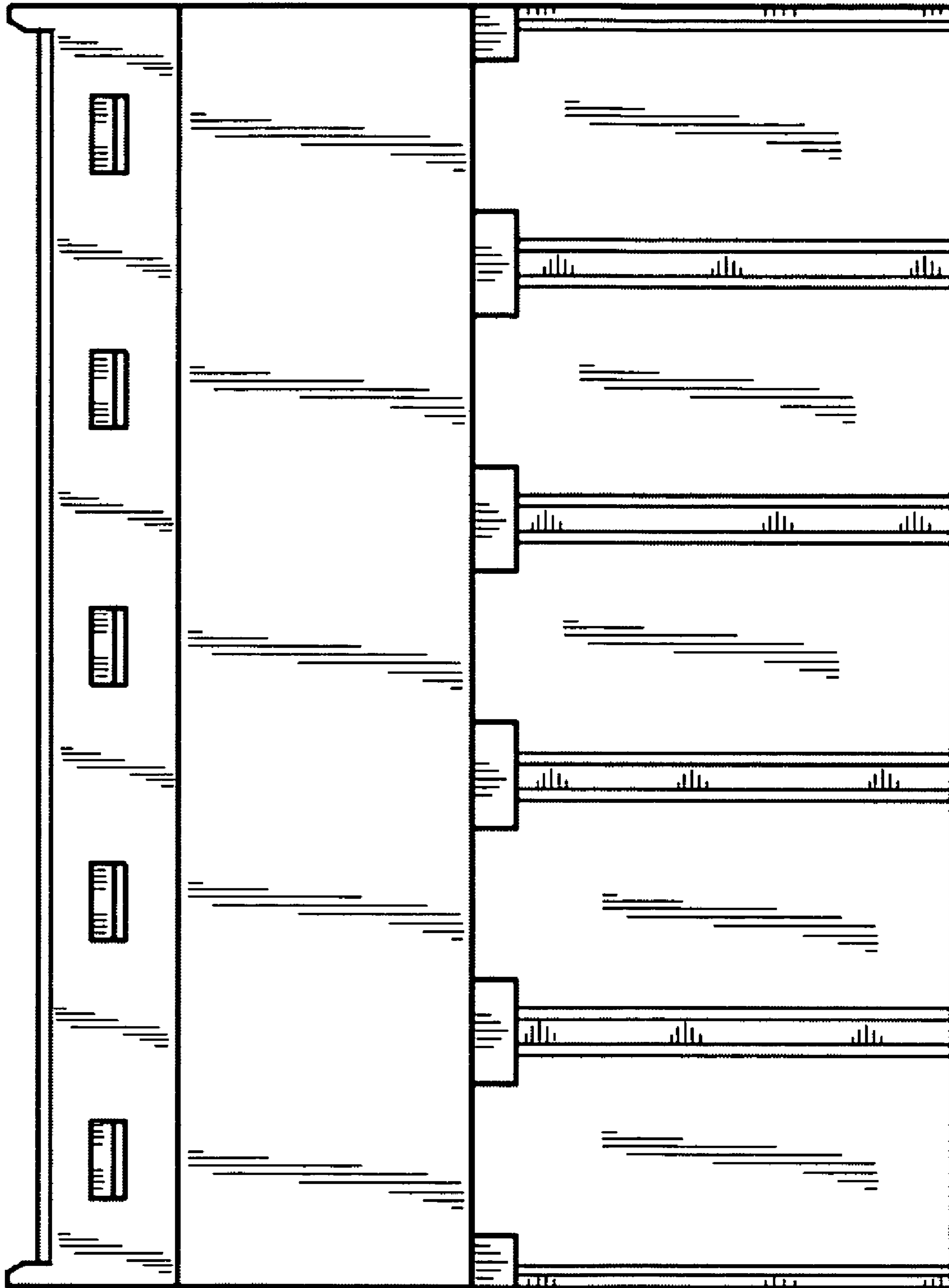


Figure 7

