



US00D613692S

(12) **United States Design Patent**  
**Son et al.**

(10) **Patent No.:** **US D613,692 S**  
(45) **Date of Patent:** **\*\* Apr. 13, 2010**

(54) **CHARGER**

(75) Inventors: **Sung Ho Son**, Redmond, WA (US);  
**Gregory G. Jones**, Seattle, WA (US);  
**Steven W. Fisher**, Edmonds, WA (US)

(73) Assignee: **Microsoft Corporation**, Redmond, WA (US)

(\*\*) Term: **14 Years**

(21) Appl. No.: **29/344,030**

(22) Filed: **Sep. 22, 2009**

(51) **LOC (9) Cl.** ..... **13-03**

(52) **U.S. Cl.** ..... **D13/144; D13/108**

(58) **Field of Classification Search** ..... D13/102–103,  
D13/107–110, 118–119, 133, 144, 184; D14/155,  
D14/251, 253, 432, 434, 184; 439/300, 620,  
439/638, 668–669, 675, 825; 320/107–115;  
363/146

See application file for complete search history.

(56) **References Cited**

**U.S. PATENT DOCUMENTS**

D314,178 S *	1/1991	Reber	.....	D13/144
D392,617 S *	3/1998	Yokozawa	.....	D13/144
D406,261 S *	3/1999	Kettula et al.	.....	D13/144
D409,568 S *	5/1999	Lindahl	.....	D13/144
6,641,405 B2 *	11/2003	Chou	.....	439/32
D489,326 S *	5/2004	Nazar	.....	D13/110
D492,249 S *	6/2004	Suomalainen et al.	.....	D13/108
D507,532 S *	7/2005	Kajiwara et al.	.....	D13/144

D522,457 S *	6/2006	Riede	.....	D13/144
D522,992 S *	6/2006	Dayan	.....	D14/155
D523,413 S *	6/2006	Dayan	.....	D14/155
D524,285 S *	7/2006	Dayan	.....	D14/155
D538,775 S *	3/2007	Dayan	.....	D14/155
D541,254 S *	4/2007	Dayan	.....	D14/155
D545,274 S *	6/2007	Dong	.....	D13/144
D548,719 S *	8/2007	Dayan	.....	D14/155
D592,594 S *	5/2009	Stiff et al.	.....	D13/100

\* cited by examiner

*Primary Examiner*—Rosemary K Tarcza

(74) *Attorney, Agent, or Firm*—Banner & Witcoff, Ltd.

(57) **CLAIM**

The ornamental design for a charger, as shown and described.

**DESCRIPTION**

FIG. 1 is a top perspective view of a charger showing our new design;

FIG. 2 is a top view thereof;

FIG. 3 is a bottom view thereof;

FIG. 4 is a left side view thereof;

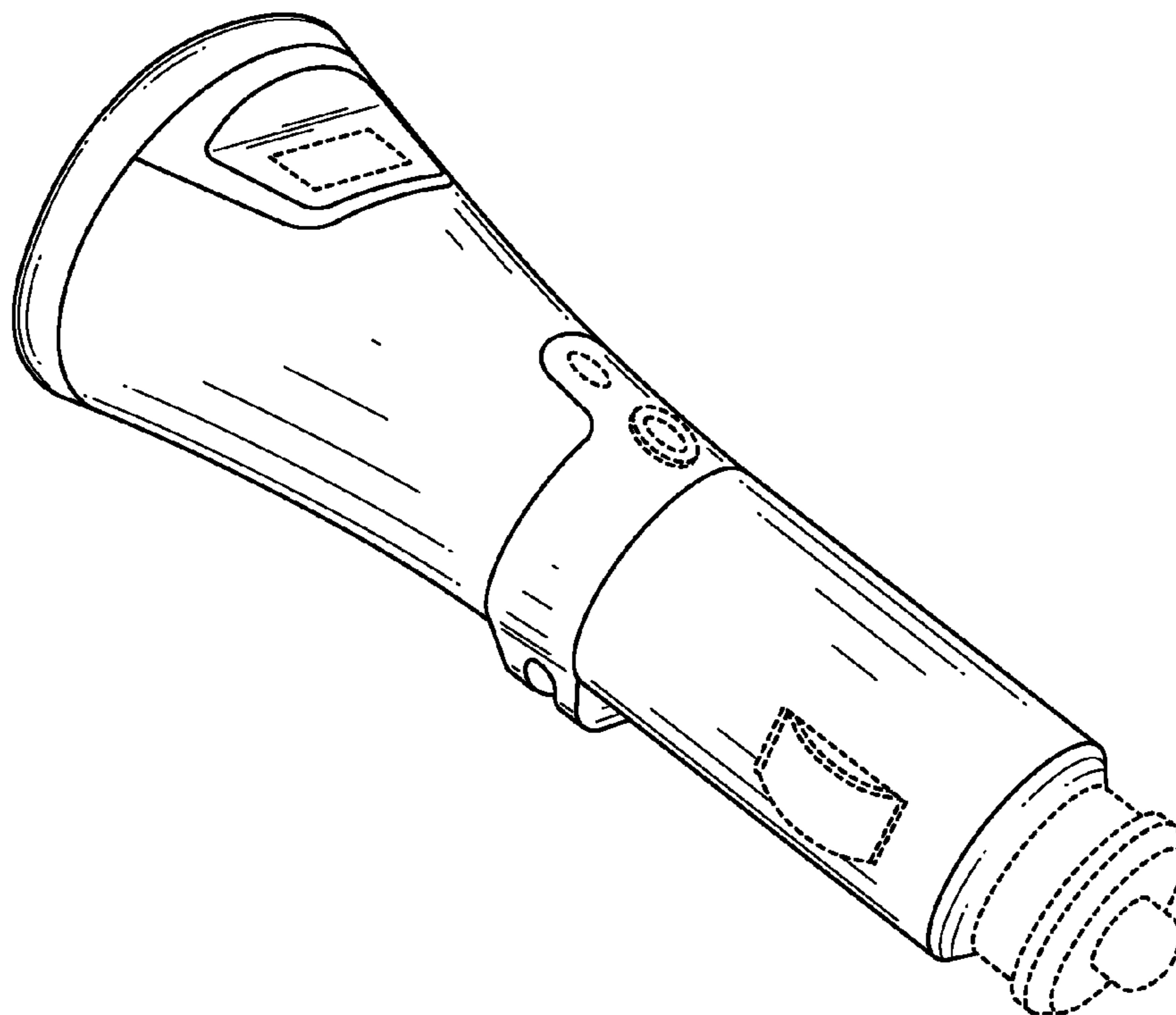
FIG. 5 is a right side view thereof;

FIG. 6 is a front view thereof; and,

FIG. 7 is a rear view thereof.

The broken line showing of the remainder of the charger is for environmental purposes only and forms no part of the claimed design.

**1 Claim, 4 Drawing Sheets**



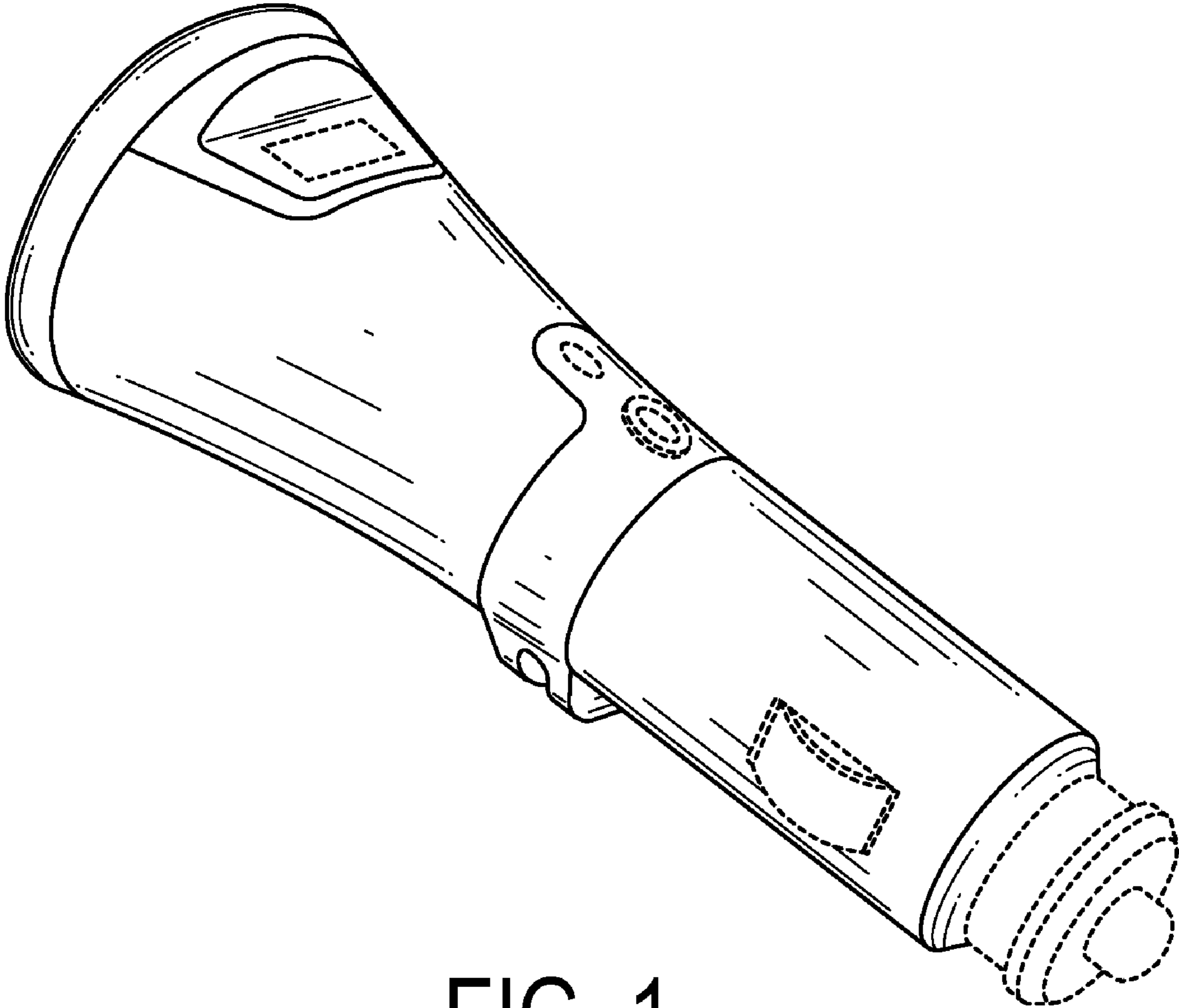


FIG. 1

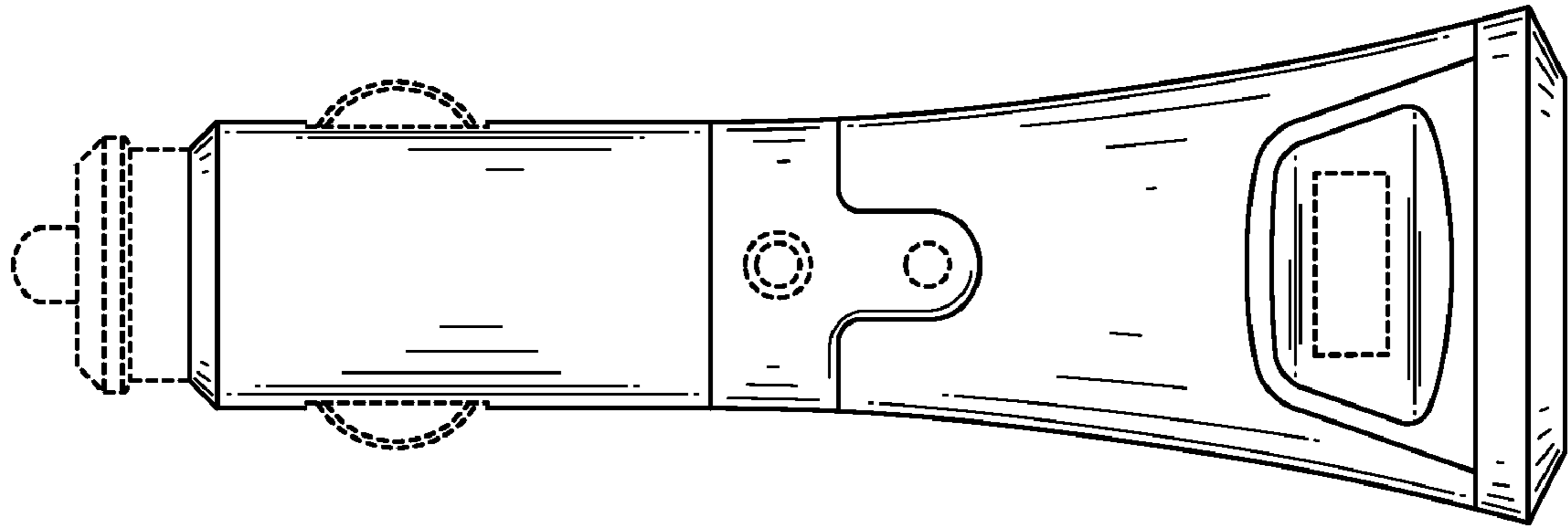


FIG. 2

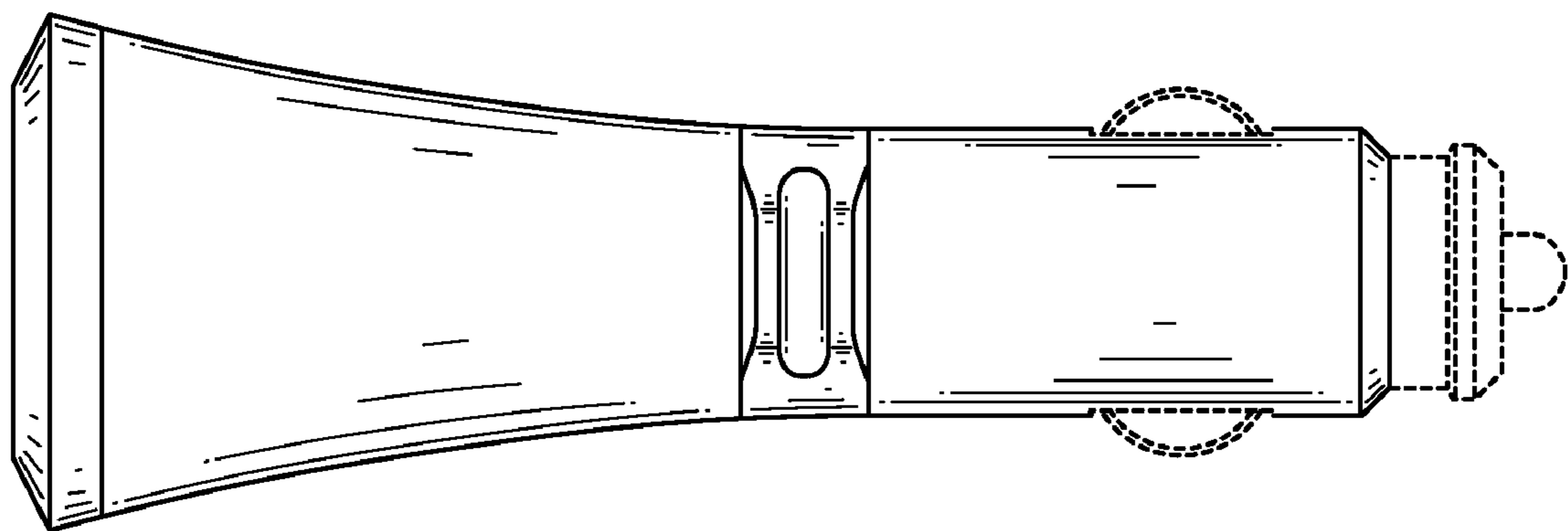


FIG. 3

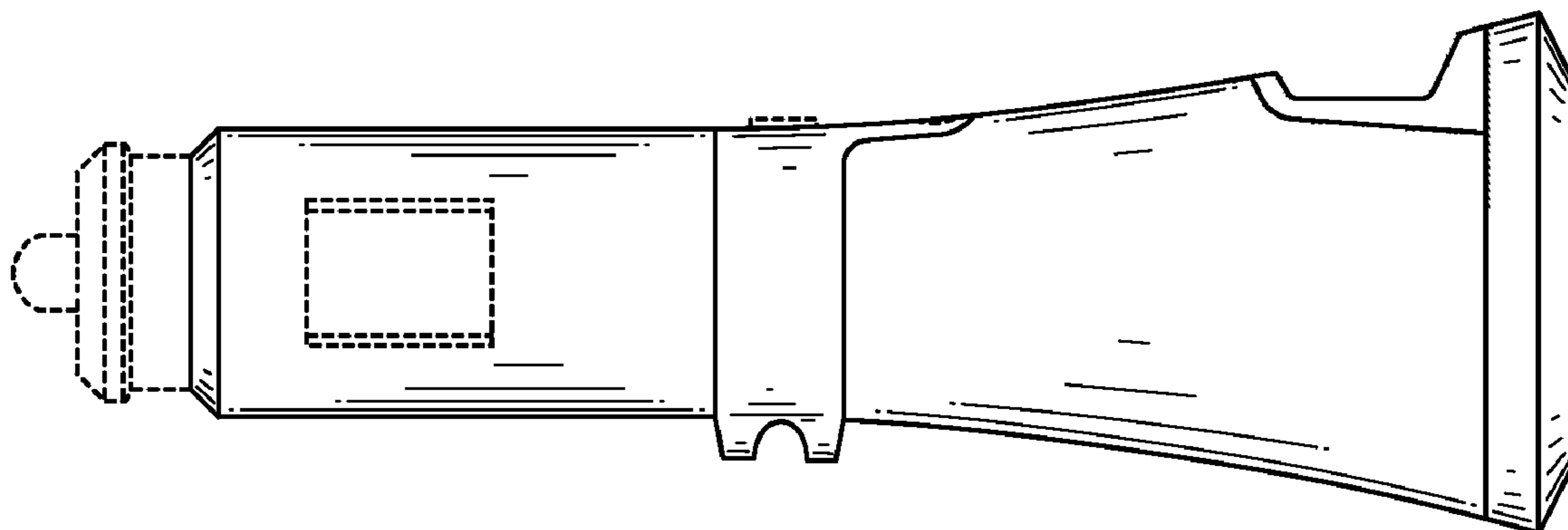


FIG. 4

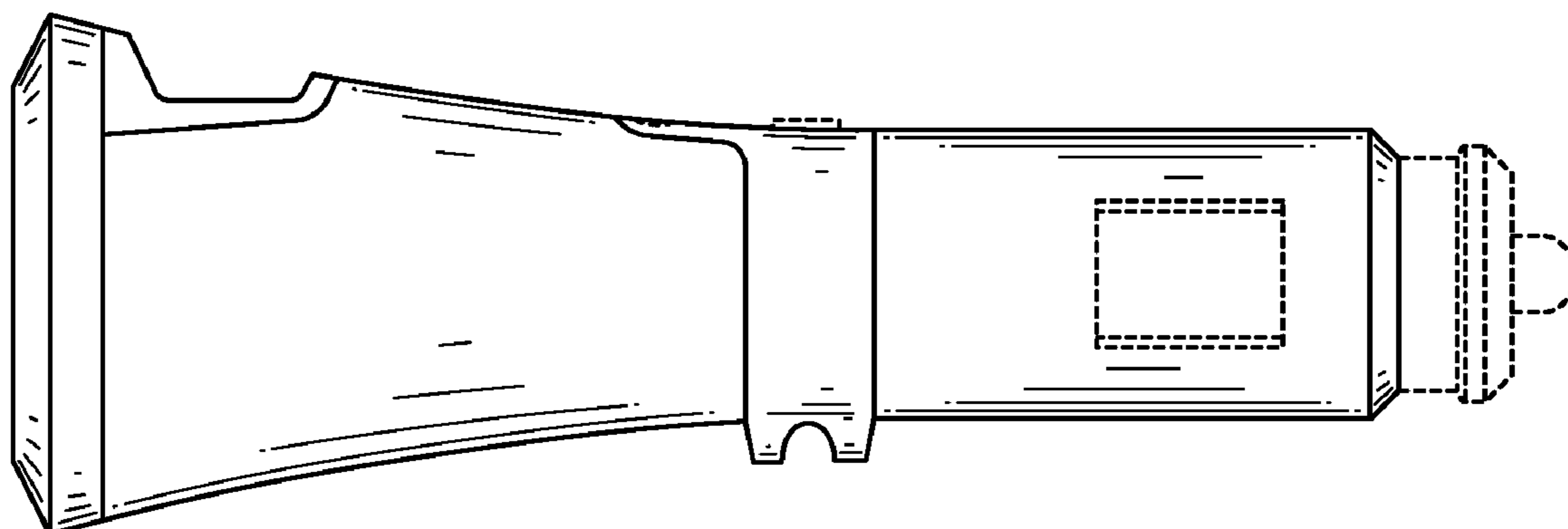


FIG. 5

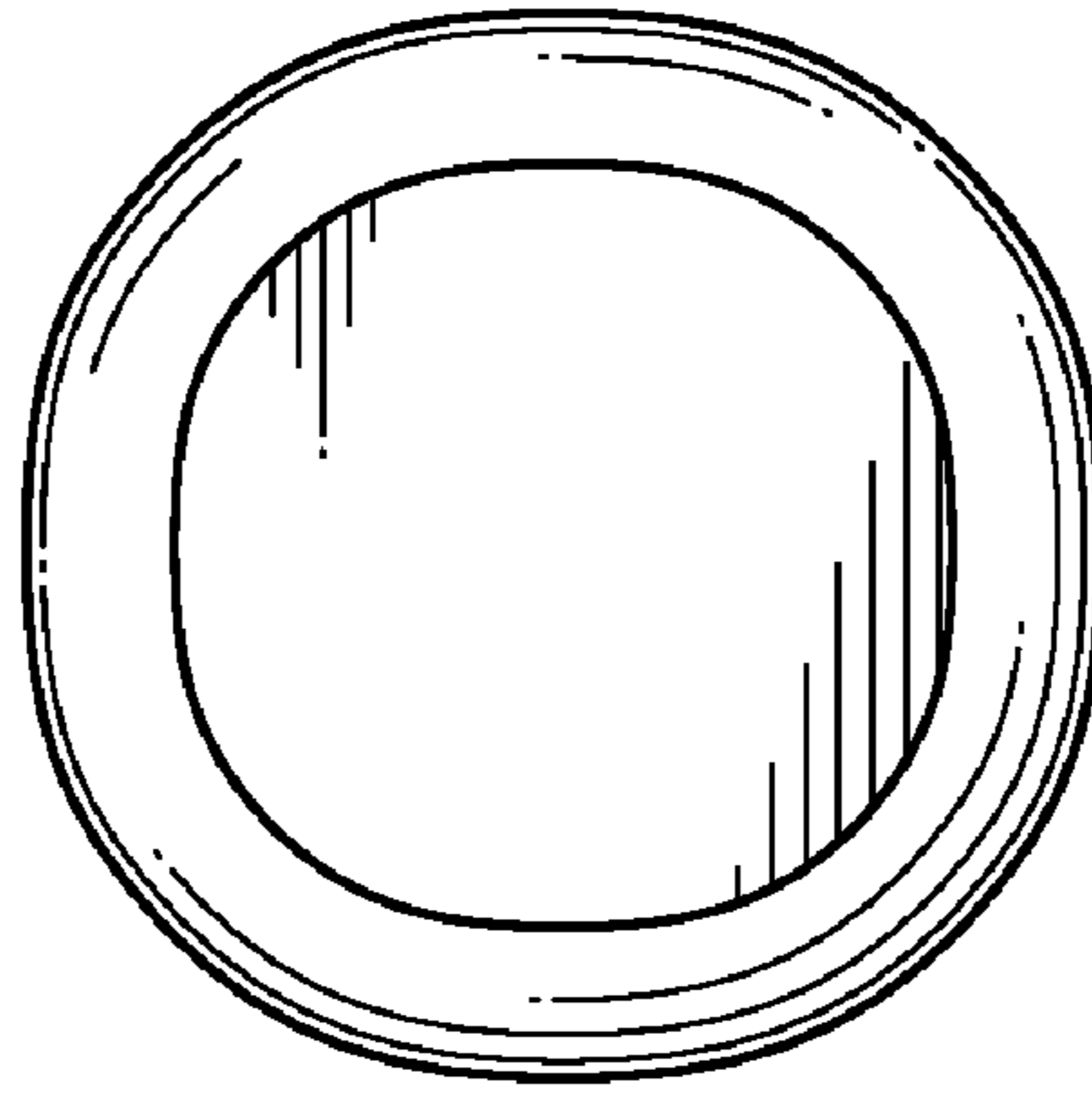


FIG. 6

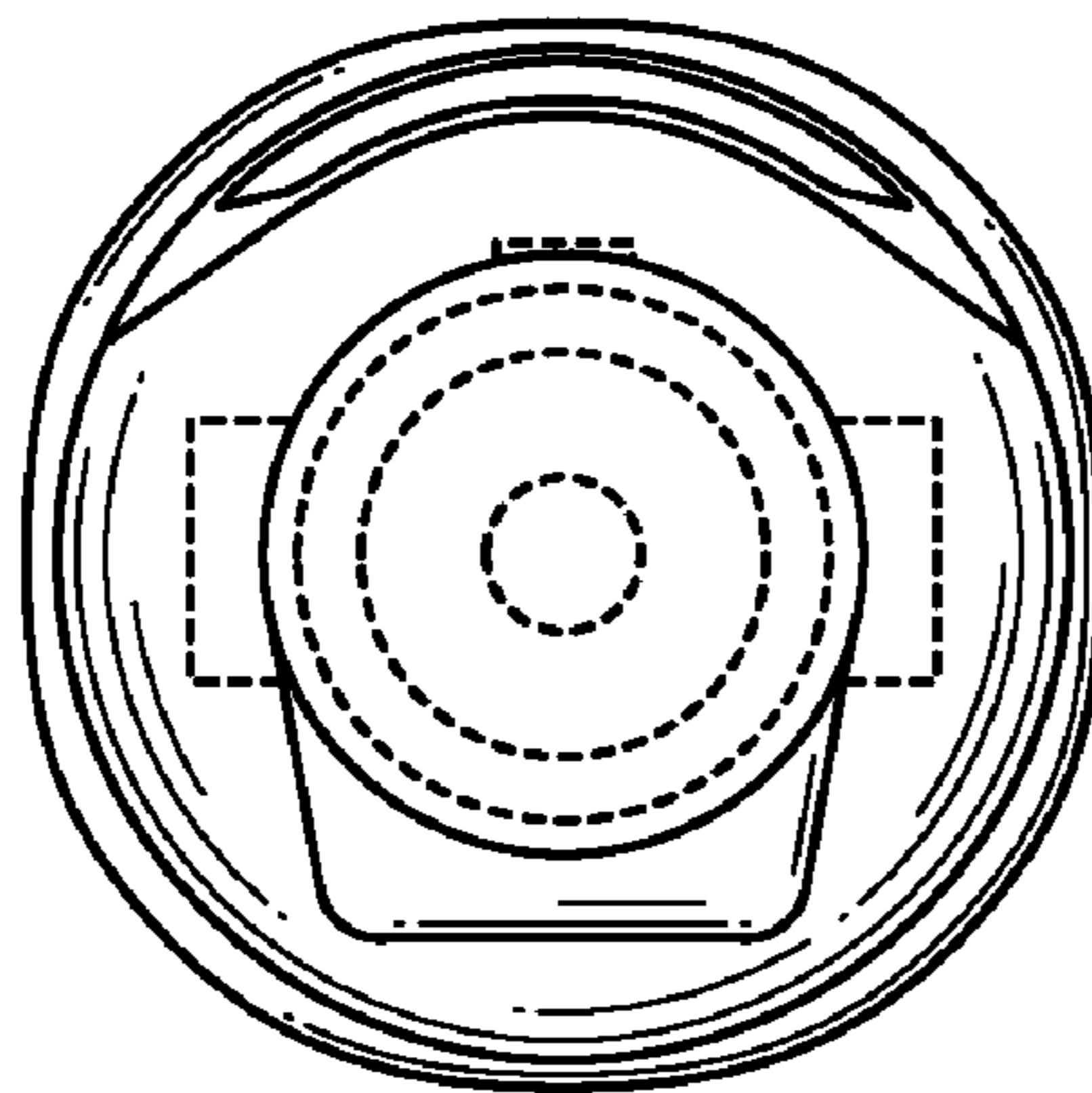


FIG. 7