



US00D613691S

(12) **United States Design Patent**
Fahrendorff et al.

(10) **Patent No.:** **US D613,691 S**
(45) **Date of Patent:** **** Apr. 13, 2010**

(54) **PLUG ADAPTOR**

(75) Inventors: **Anders Fahrendorff**, Ottawa (CA);
Todd Andrew Wood, Guelph (CA); **Ian James Murchison**, Ottawa (CA); **Dustin Jonathan Smith**, Kitchener (CA)

(73) Assignee: **Research In Motion Limited**, Waterloo (CA)

(**) Term: **14 Years**

(21) Appl. No.: **29/339,346**

(22) Filed: **Jun. 29, 2009**

(51) **LOC (9) Cl.** **13-03**

(52) **U.S. Cl.** **D13/133**

(58) **Field of Classification Search** D13/107,
D13/108, 110, 123, 133, 134, 146, 147, 153,
D13/154, 160, 184, 199; 439/11, 13, 172,
439/156, 344, 350, 357, 502, 638, 676
See application file for complete search history.

(56) **References Cited**

U.S. PATENT DOCUMENTS

D325,380 S * 4/1992 Rao et al. D13/160
D347,617 S * 6/1994 Tattari D13/107
D398,581 S * 9/1998 Chang D13/138.1
D411,166 S * 6/1999 Uemura et al. D13/107
D544,833 S * 6/2007 Sade et al. D13/108

D591,233 S * 4/2009 Kagami et al. D13/108
D596,569 S * 7/2009 Lin D13/133
D600,642 S * 9/2009 Biery et al. D13/134
2007/0032109 A1 * 2/2007 Hung 439/172

* cited by examiner

Primary Examiner—Daniel D Bui
Assistant Examiner—Thomas J Johannes

(57) **CLAIM**

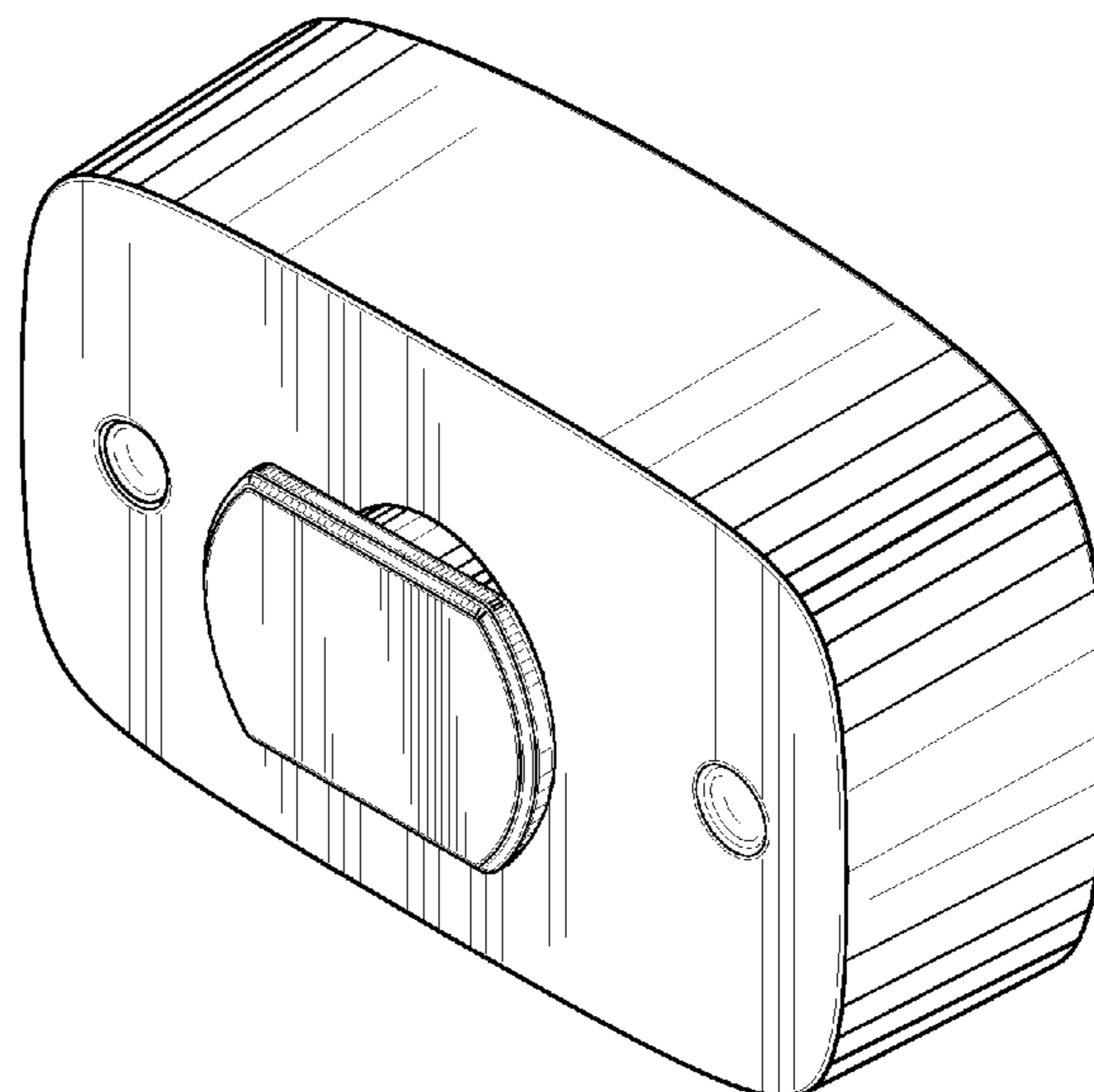
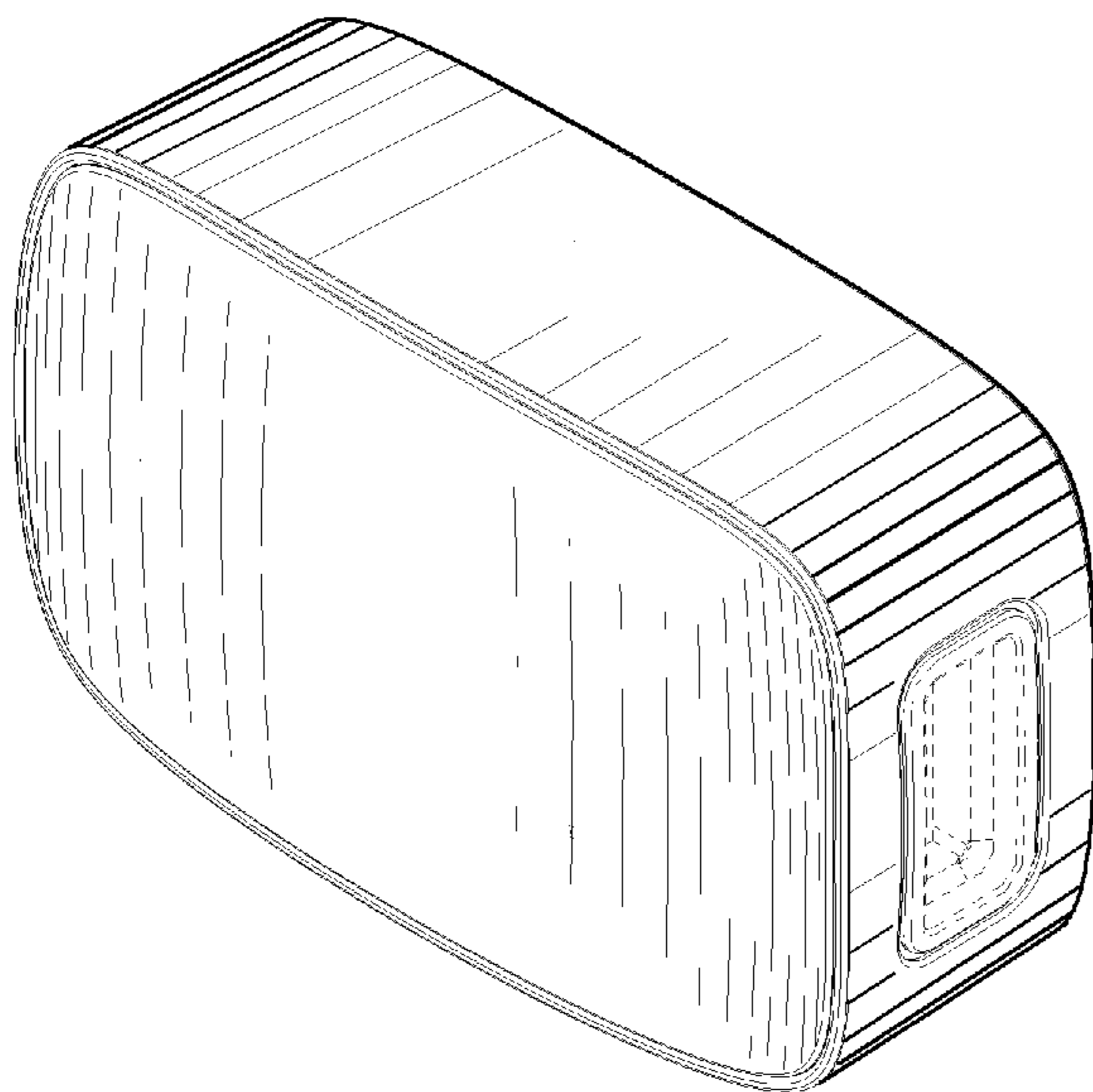
We claim the ornamental design for a plug adaptor, as shown and described.

DESCRIPTION

FIG. 1 is a front perspective view of a plug adaptor;
FIG. 2 is a back perspective view of the plug adaptor;
FIG. 3 is a top plan view thereof;
FIG. 4 is a bottom plan view thereof;
FIG. 5 is a left elevational view thereof;
FIG. 6 is a right elevational view thereof;
FIG. 7 is a back plan view thereof; and,
FIG. 8 is a front plan view thereof.

The broken line portion of the figure drawings is included to show unclaimed subject matter only and forms no part of the claimed design.

1 Claim, 4 Drawing Sheets



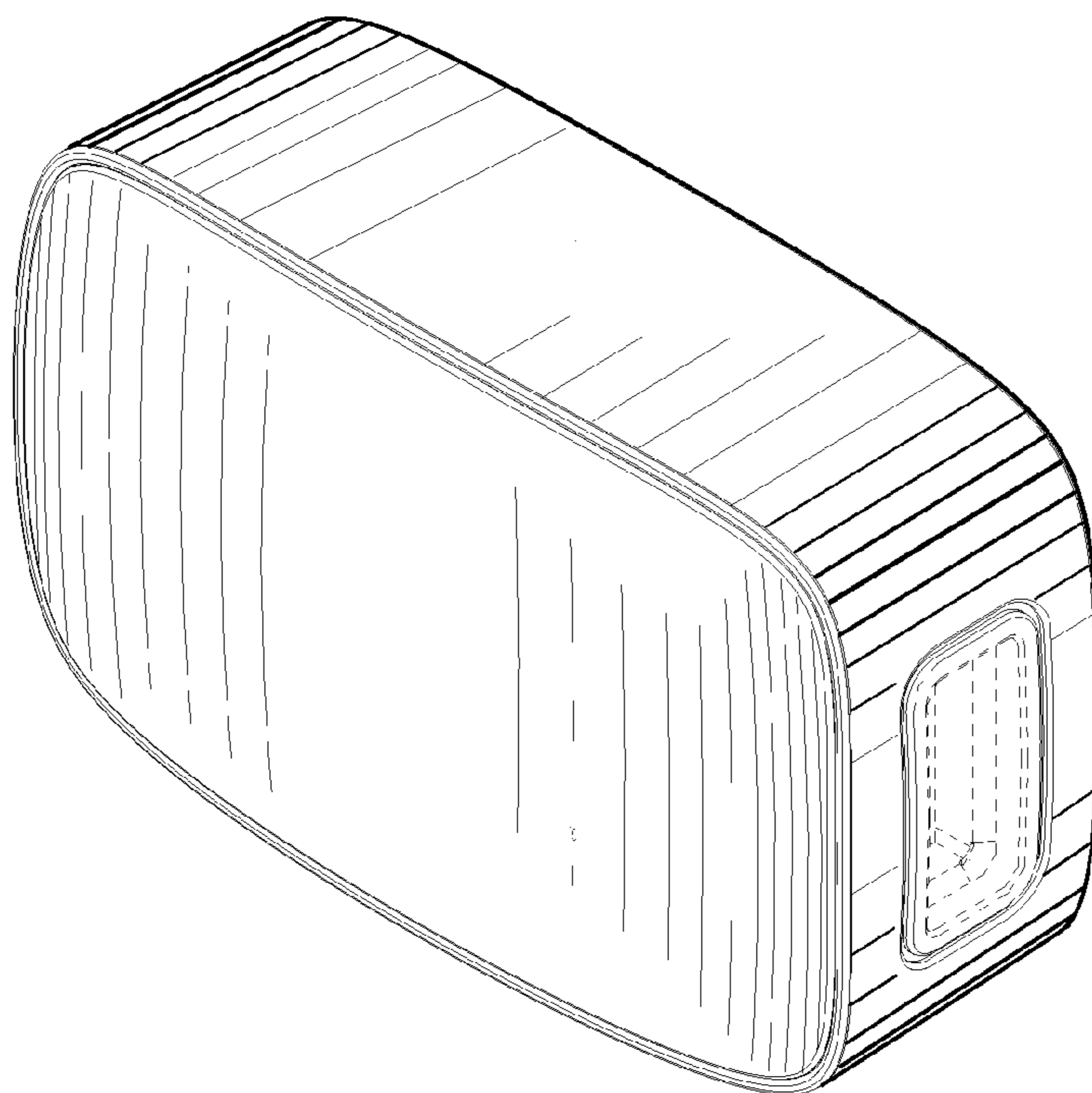


FIG.1

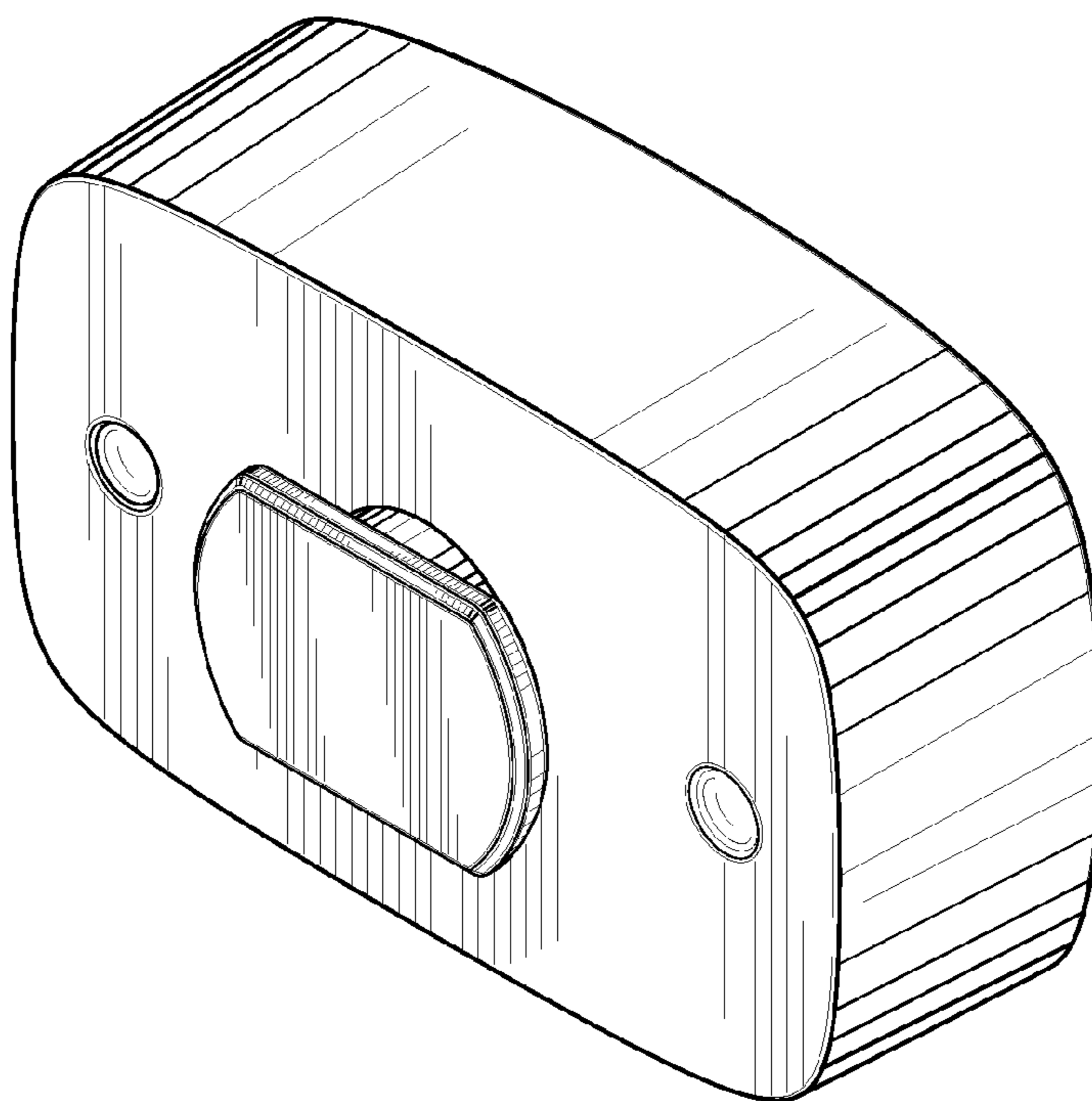


FIG.2

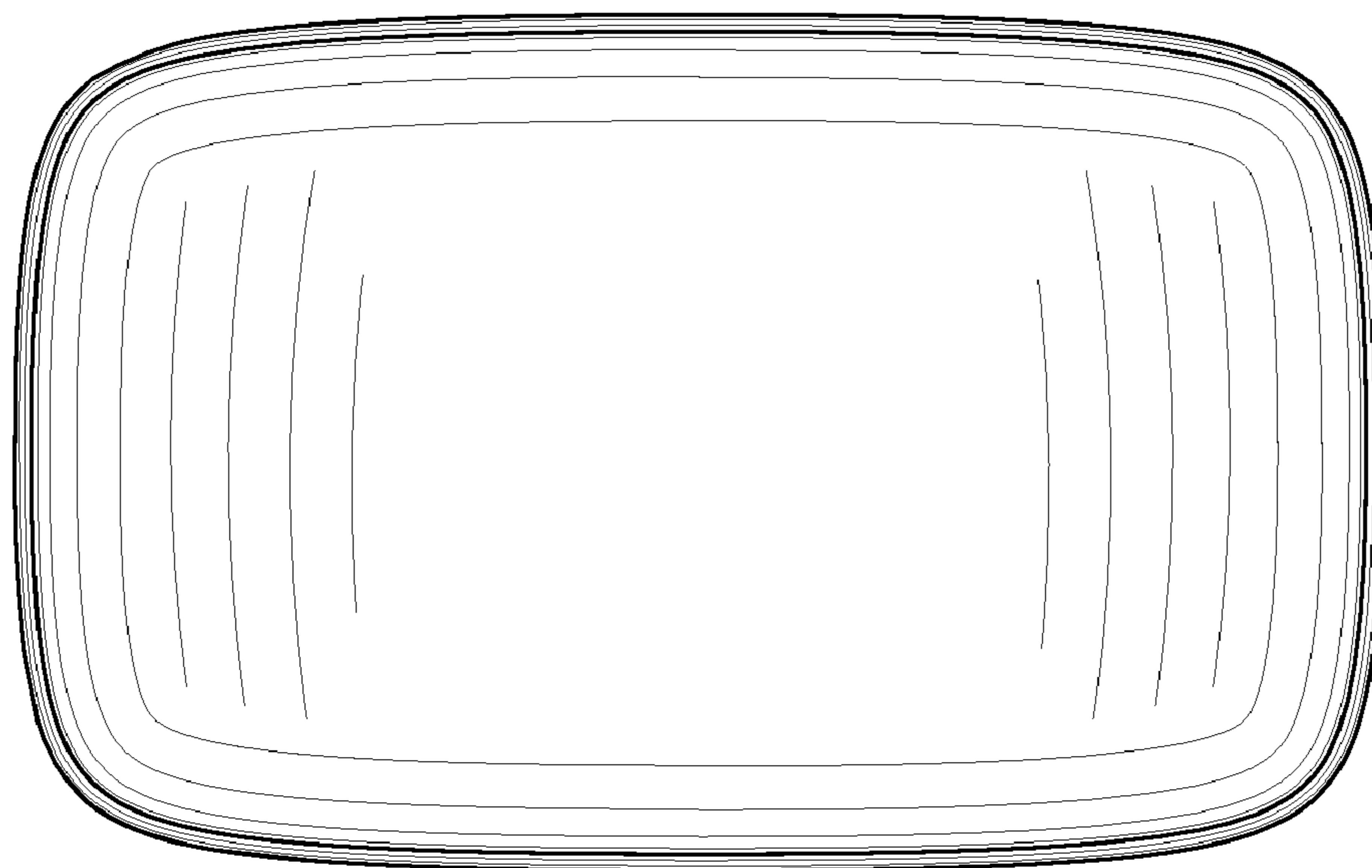


FIG.3

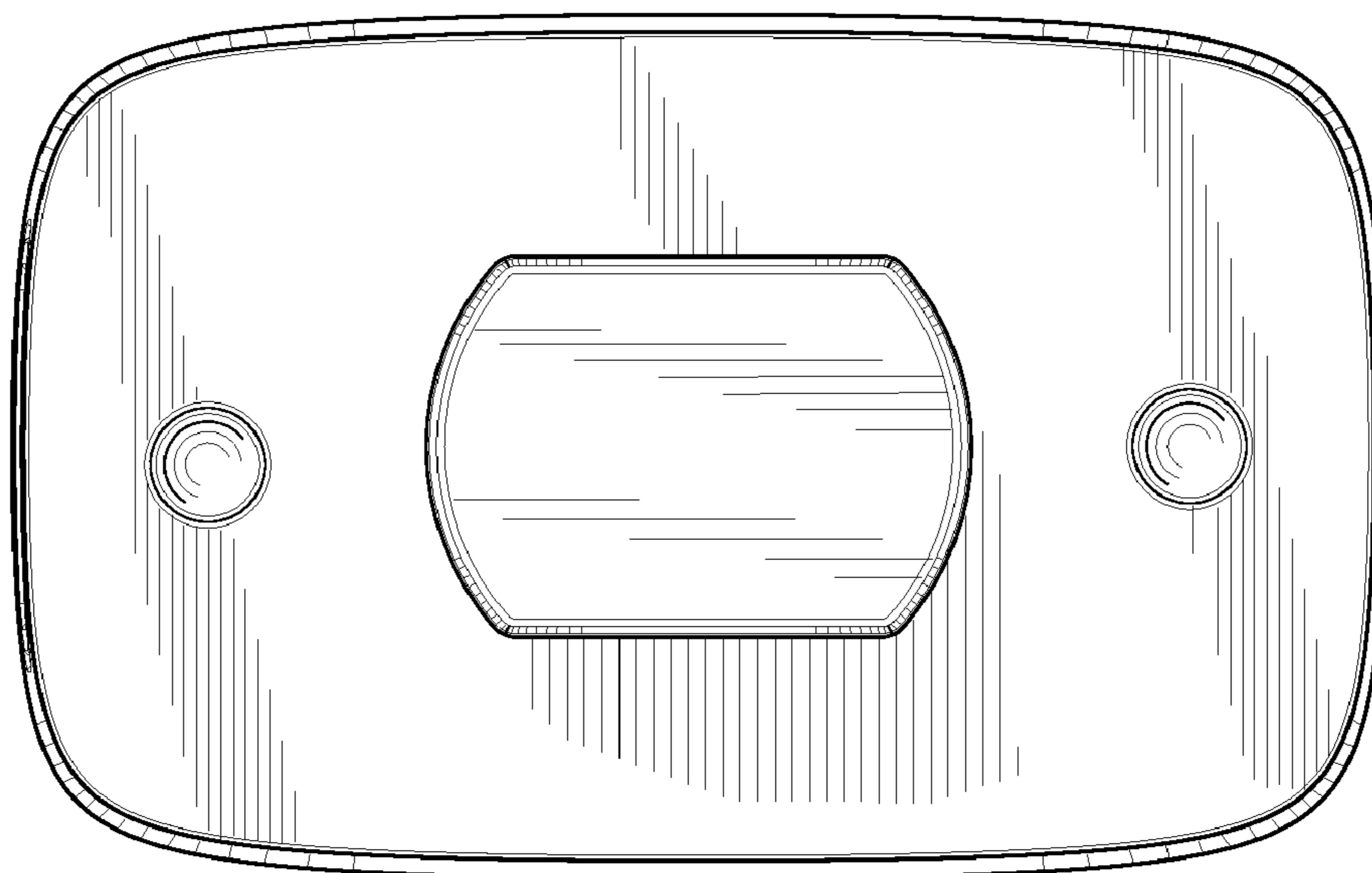


FIG.4

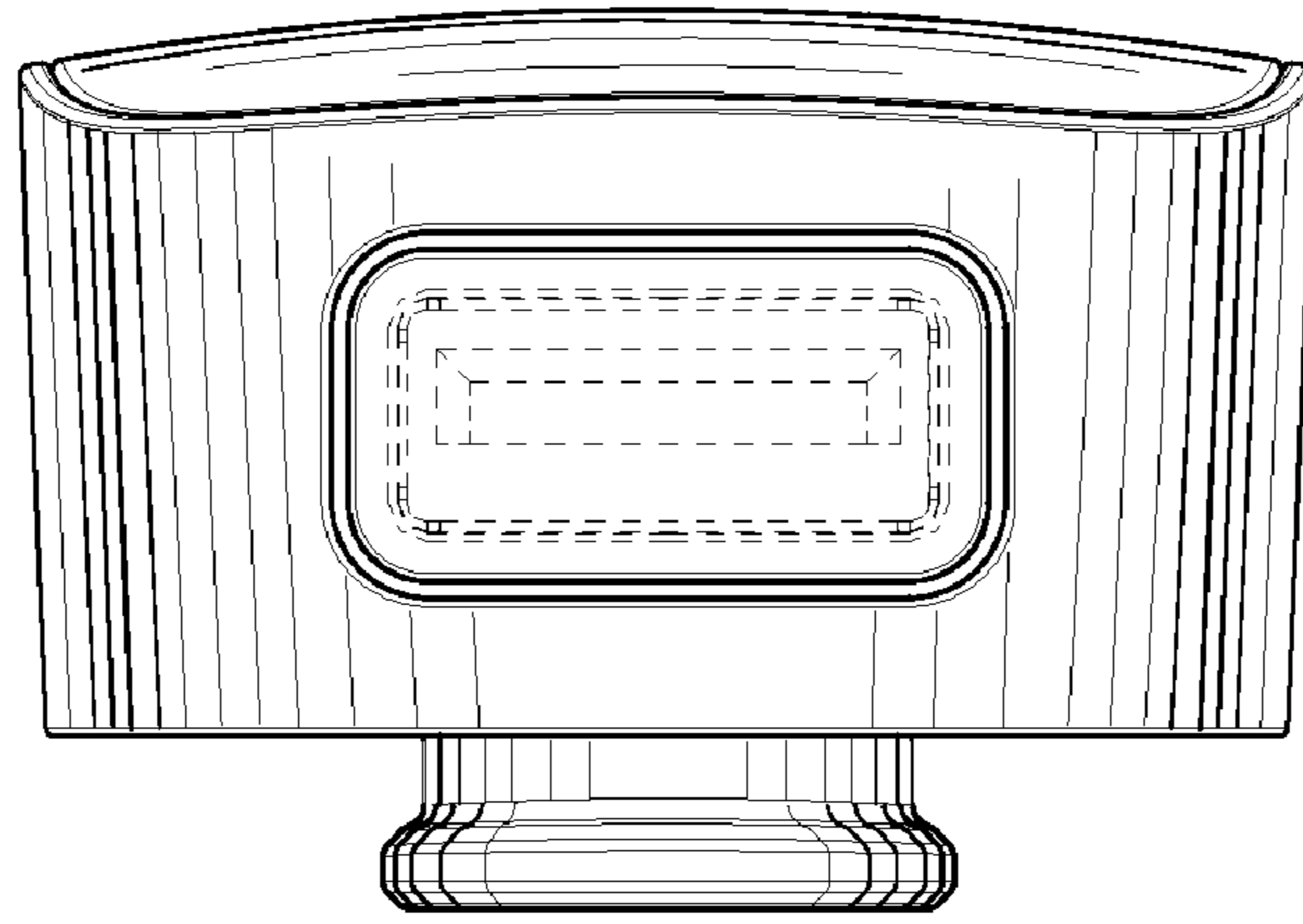


FIG. 5

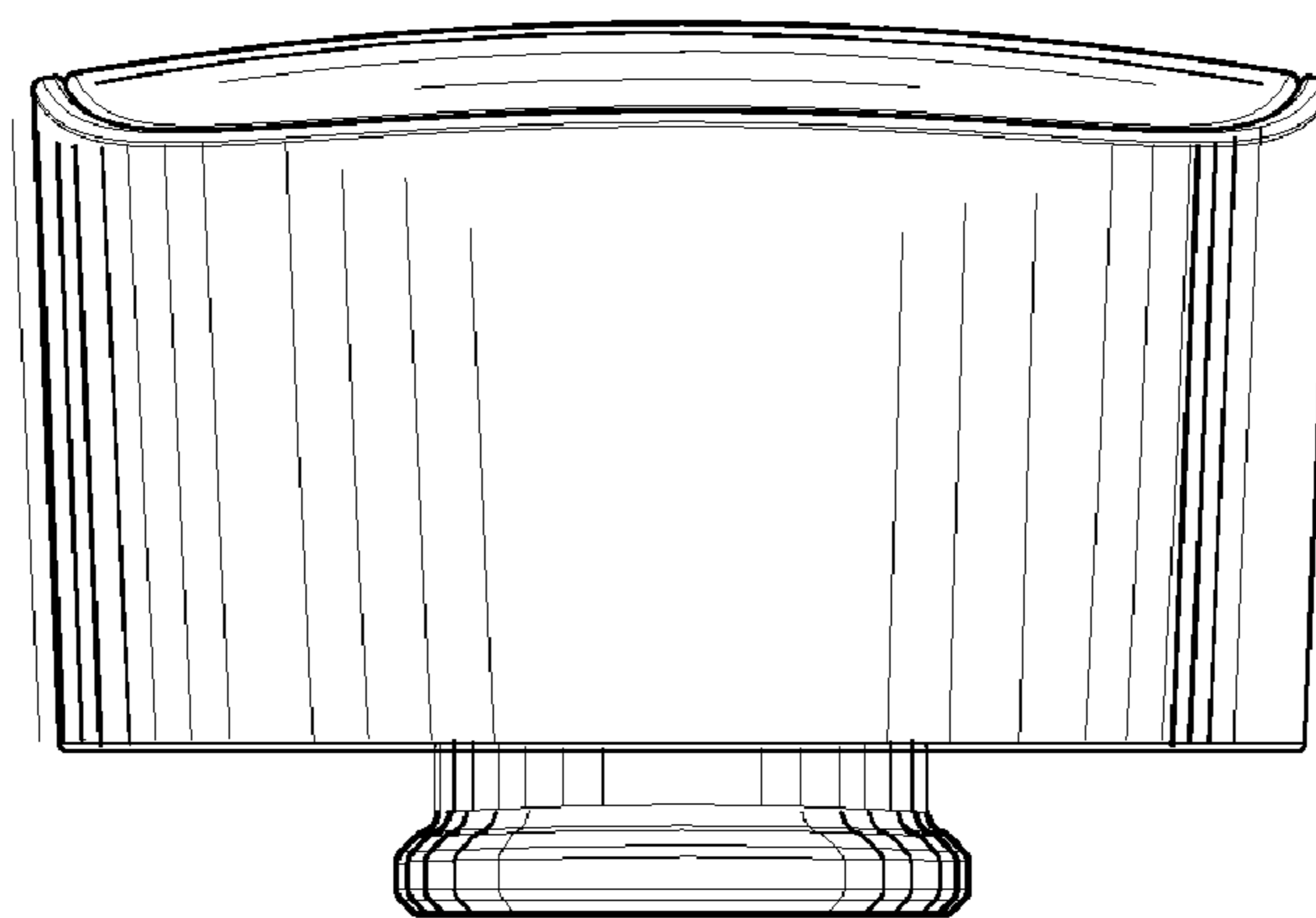


FIG. 6

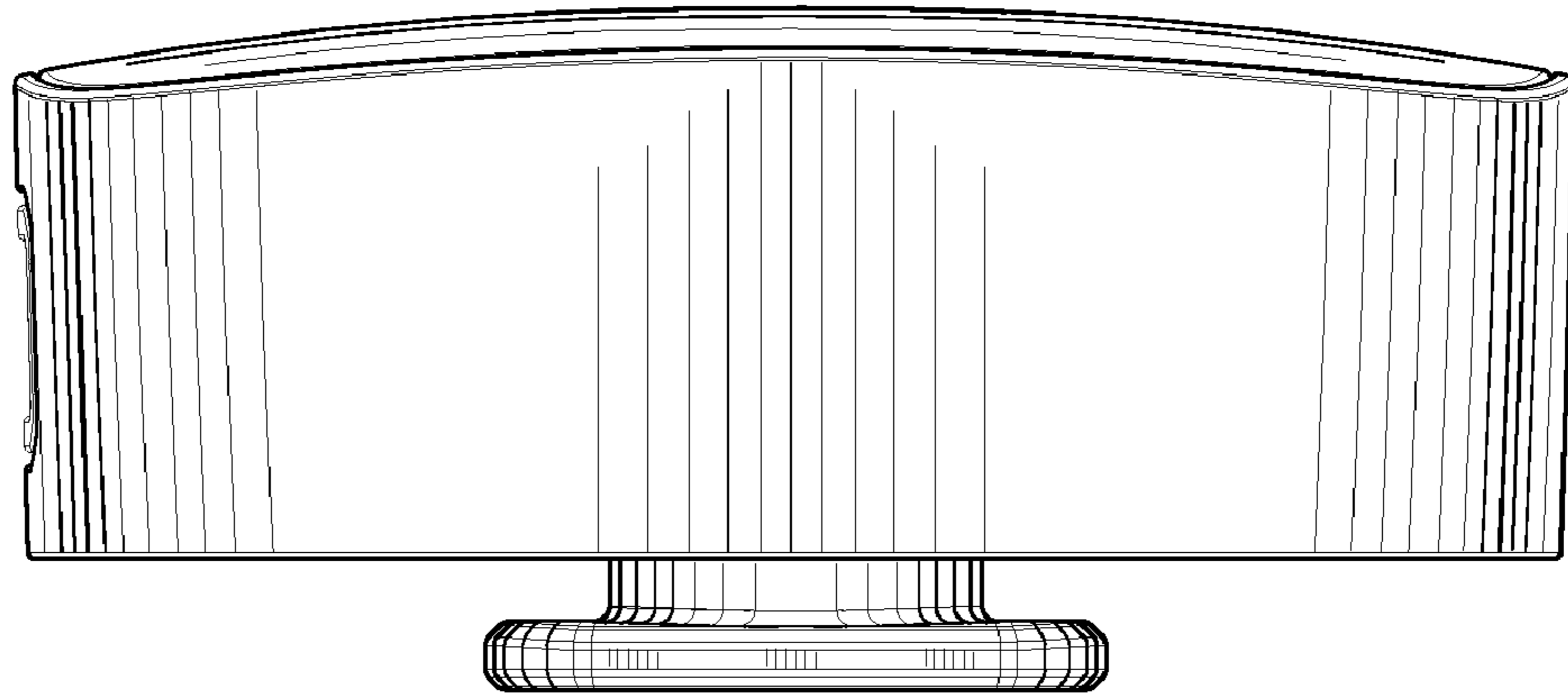


FIG. 7

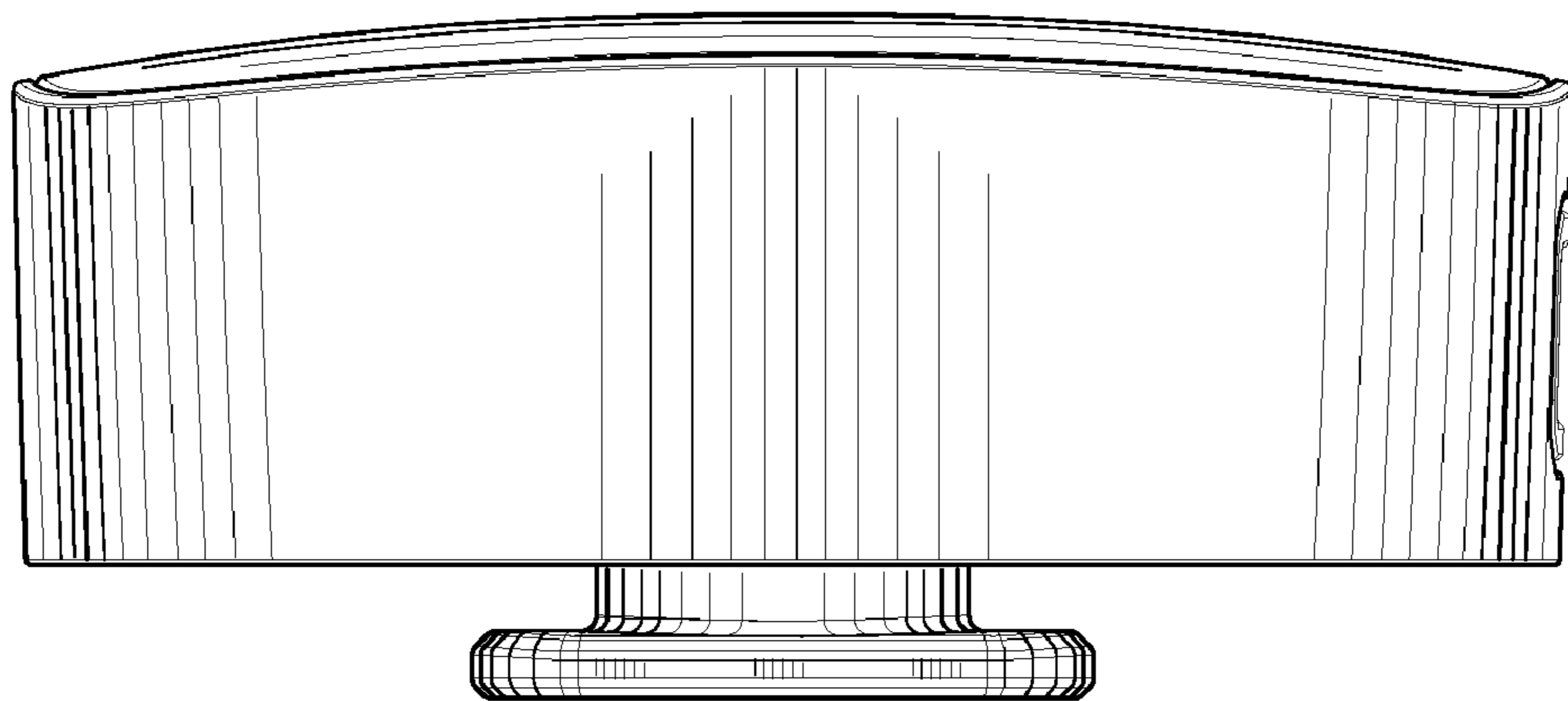


FIG. 8