



US00D613689S

(12) **United States Design Patent**
Yang et al.

(10) **Patent No.:** **US D613,689 S**

(45) **Date of Patent:** **** Apr. 13, 2010**

(54) **BATTERY CONNECTOR**

(75) Inventors: **Chih-Lin Yang**, Taipei (TW);
Chin-Chou Wang, Taipei (TW)

(73) Assignee: **Cheng Uei Precision Industry Co., Ltd.**, Taipei (TW)

(**) Term: **14 Years**

(21) Appl. No.: **29/346,419**

(22) Filed: **Oct. 30, 2009**

(51) **LOC (9) Cl.** **13-03**

(52) **U.S. Cl.** **D13/120**

(58) **Field of Classification Search** D13/118–121,
D13/133, 146–147, 184, 199; 439/83, 108,
439/166, 500, 577, 630, 660, 680, 700, 773.1,
439/862

See application file for complete search history.

(56) **References Cited**

U.S. PATENT DOCUMENTS

D419,522 S *	1/2000	Kamagai	D13/120
D486,448 S *	2/2004	Watanabe et al.	D13/120
D522,968 S *	6/2006	Hu et al.	D13/147
D571,725 S *	6/2008	Hung et al.	D13/120

D585,373 S *	1/2009	Hung	D13/120
D592,135 S *	5/2009	Hung	D13/120
D596,130 S *	7/2009	Chen et al.	D13/147

* cited by examiner

Primary Examiner—Rosemary K Tarcza

(74) *Attorney, Agent, or Firm*—WPAT, P.C.; Anthony King

(57) **CLAIM**

The ornamental design for battery connector, as shown and described.

DESCRIPTION

FIG. 1 is a perspective view of battery connector showing our new design;

FIG. 2 is a front elevational view thereof;

FIG. 3 is a rear elevational view thereof;

FIG. 4 is a left side elevational view thereof;

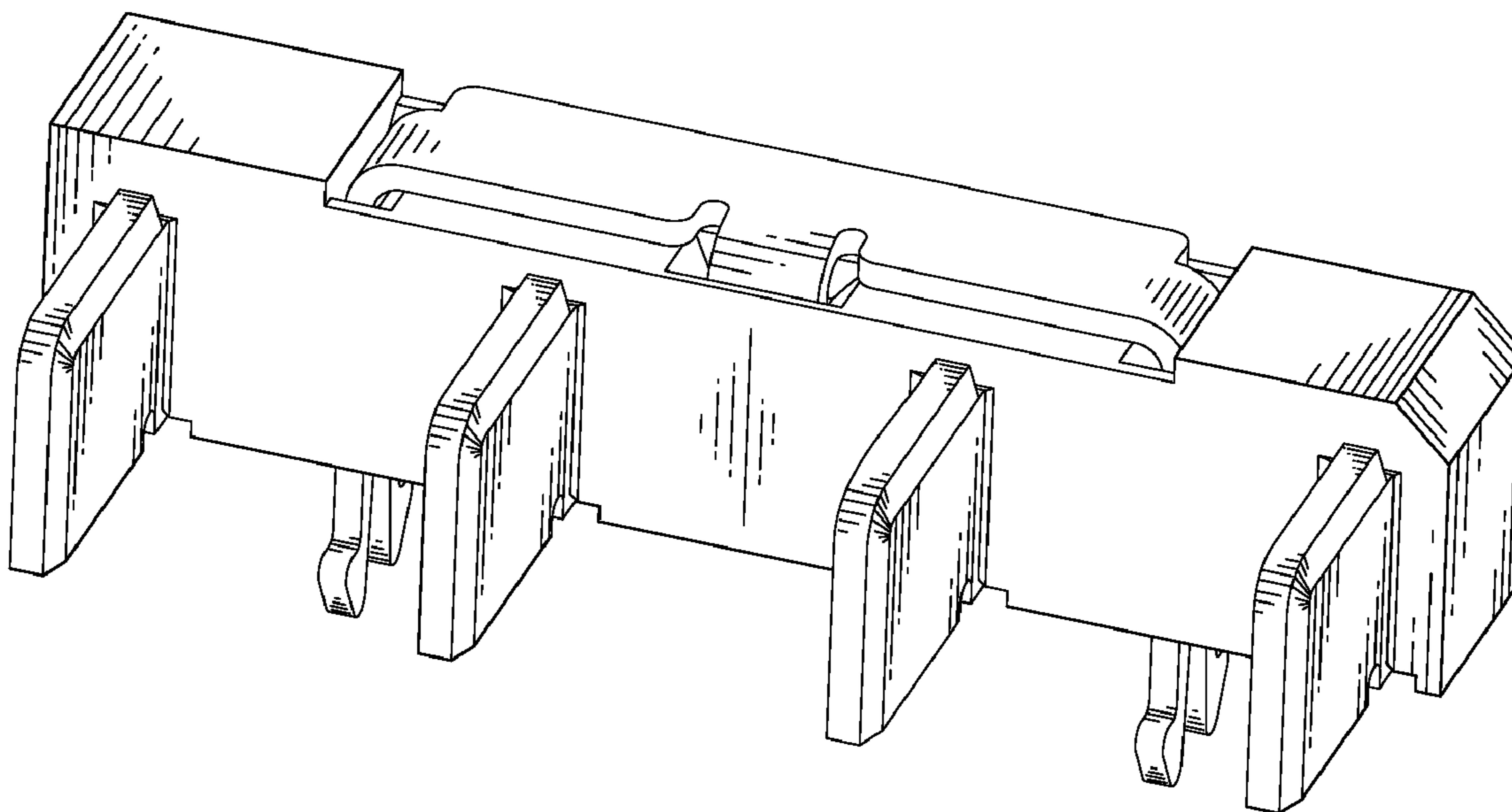
FIG. 5 is a right side elevational view thereof;

FIG. 6 is a top plan view thereof;

FIG. 7 is a bottom plan view thereof; and,

FIG. 8 is another perspective view of the battery connector showing our new design.

1 Claim, 8 Drawing Sheets



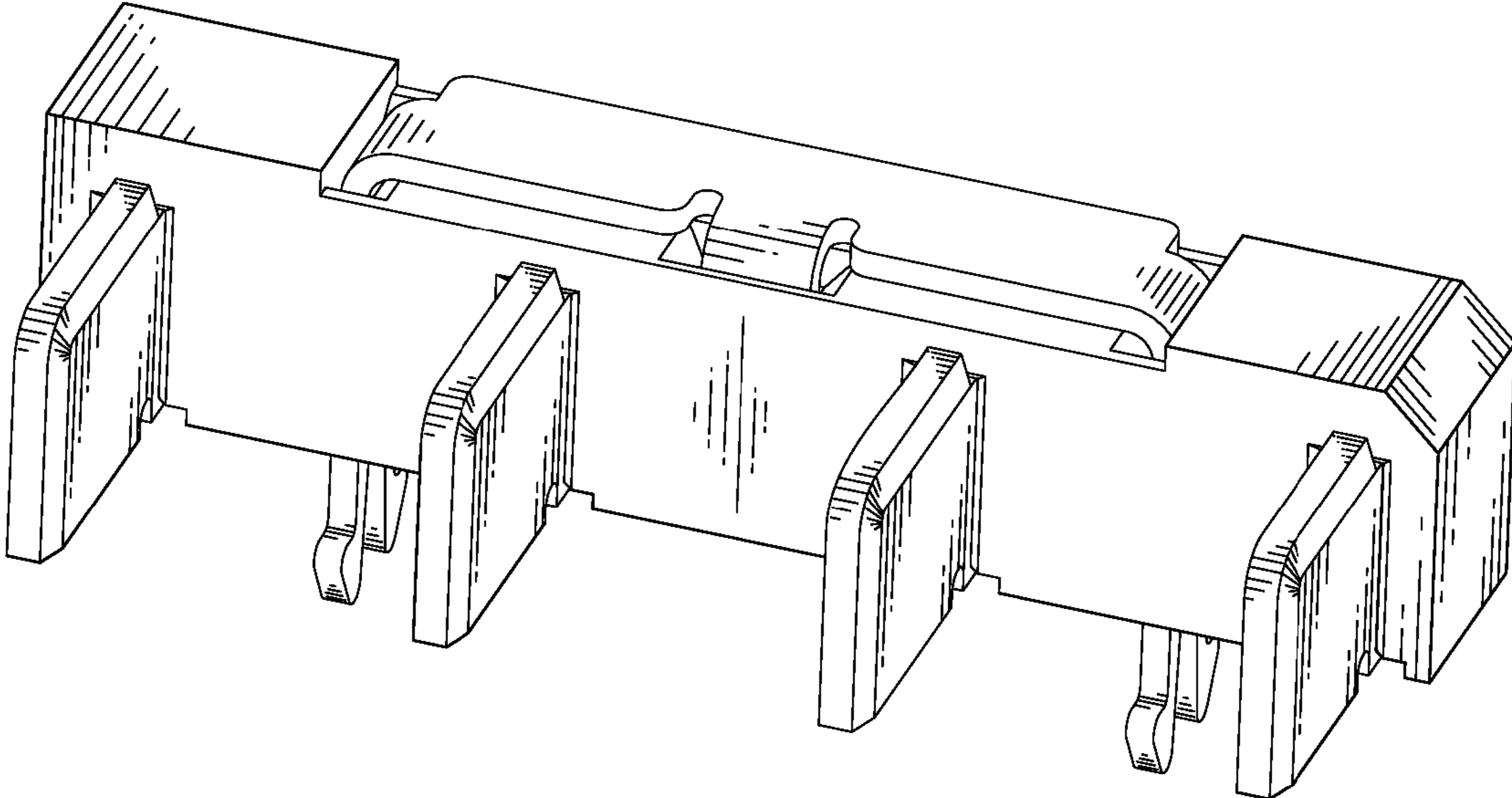


FIG. 1

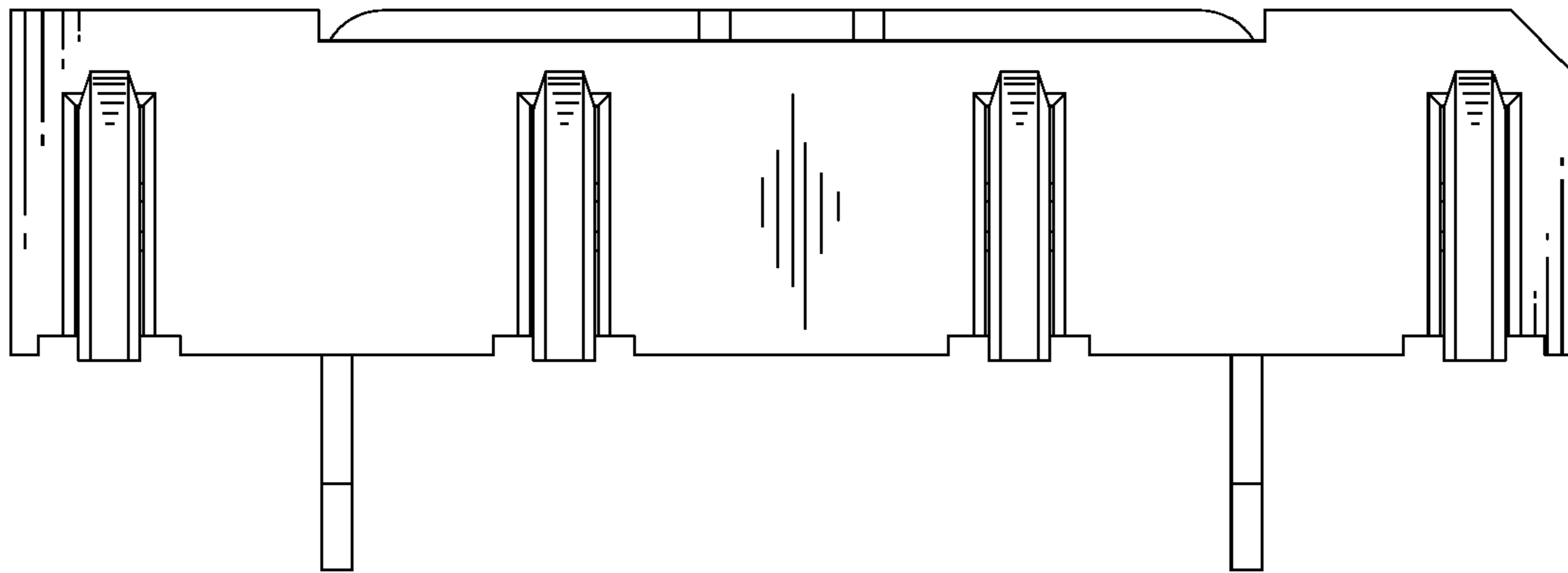


FIG. 2

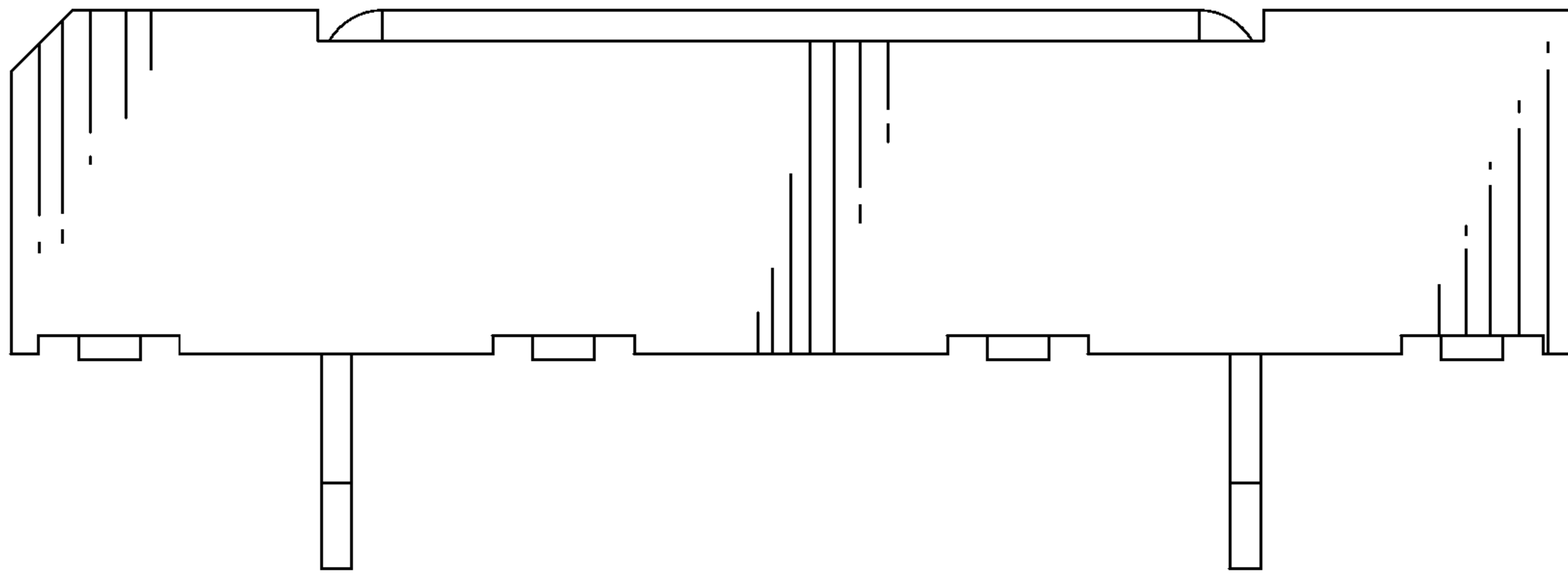


FIG. 3

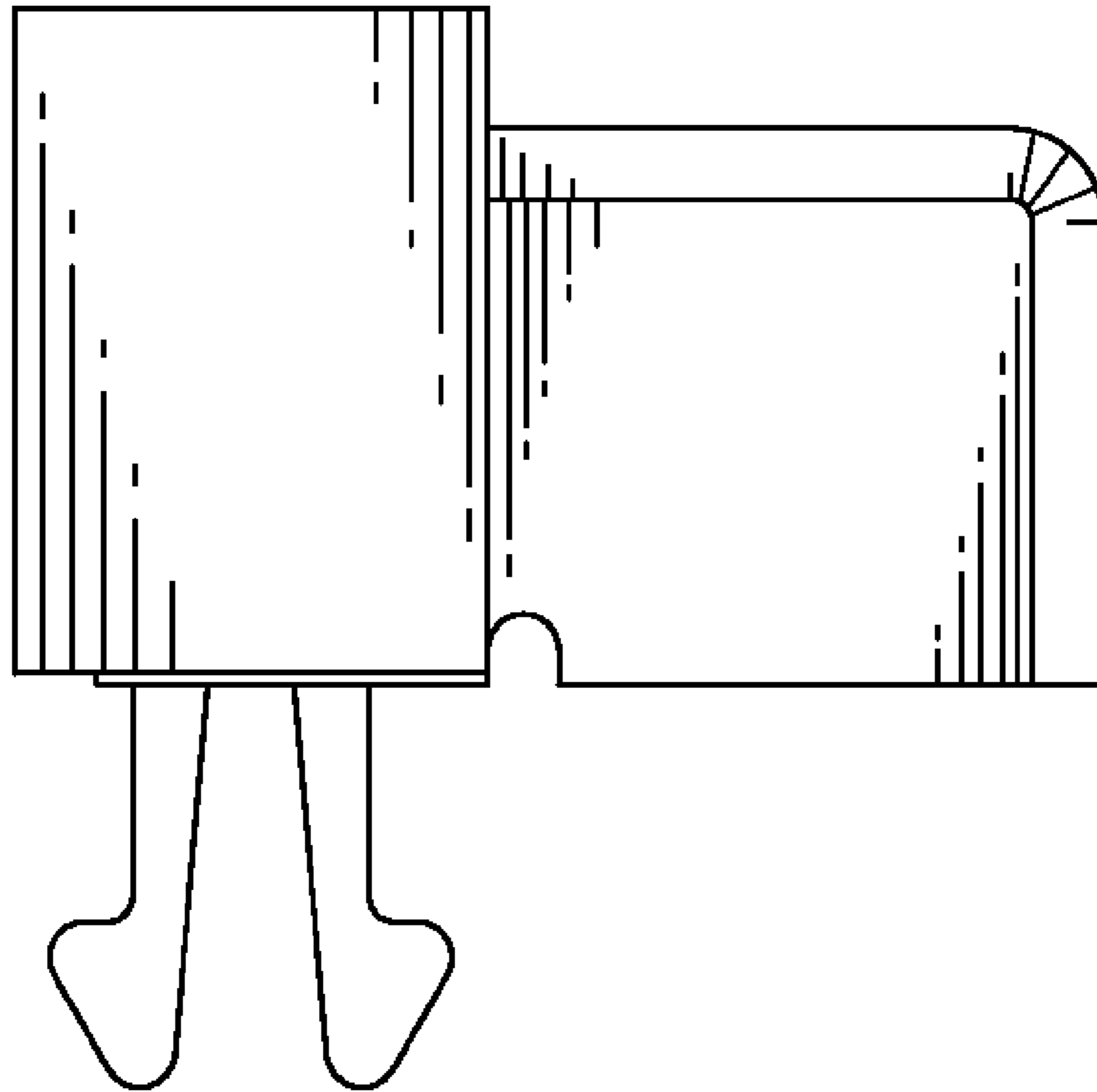


FIG. 4

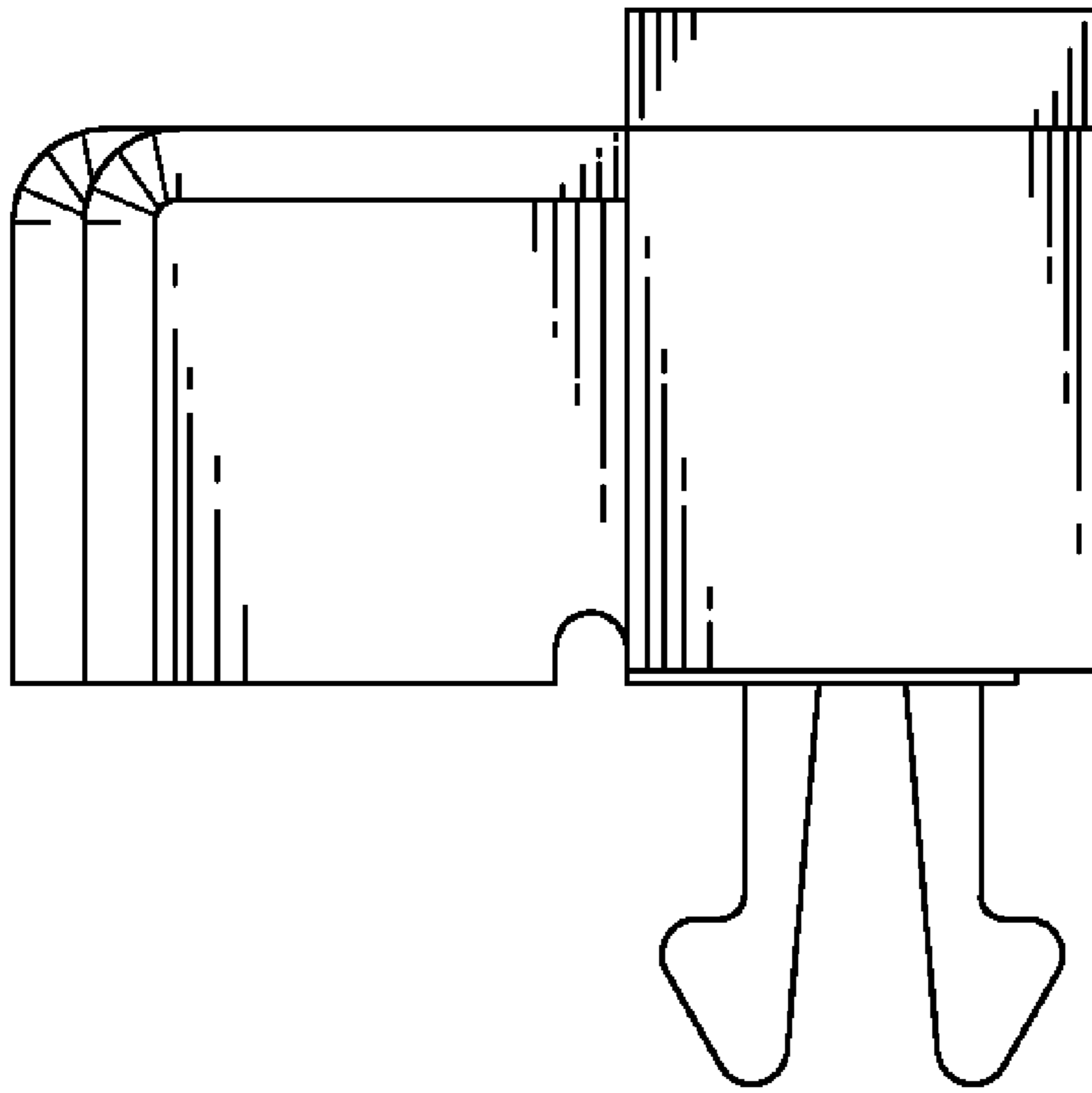


FIG. 5

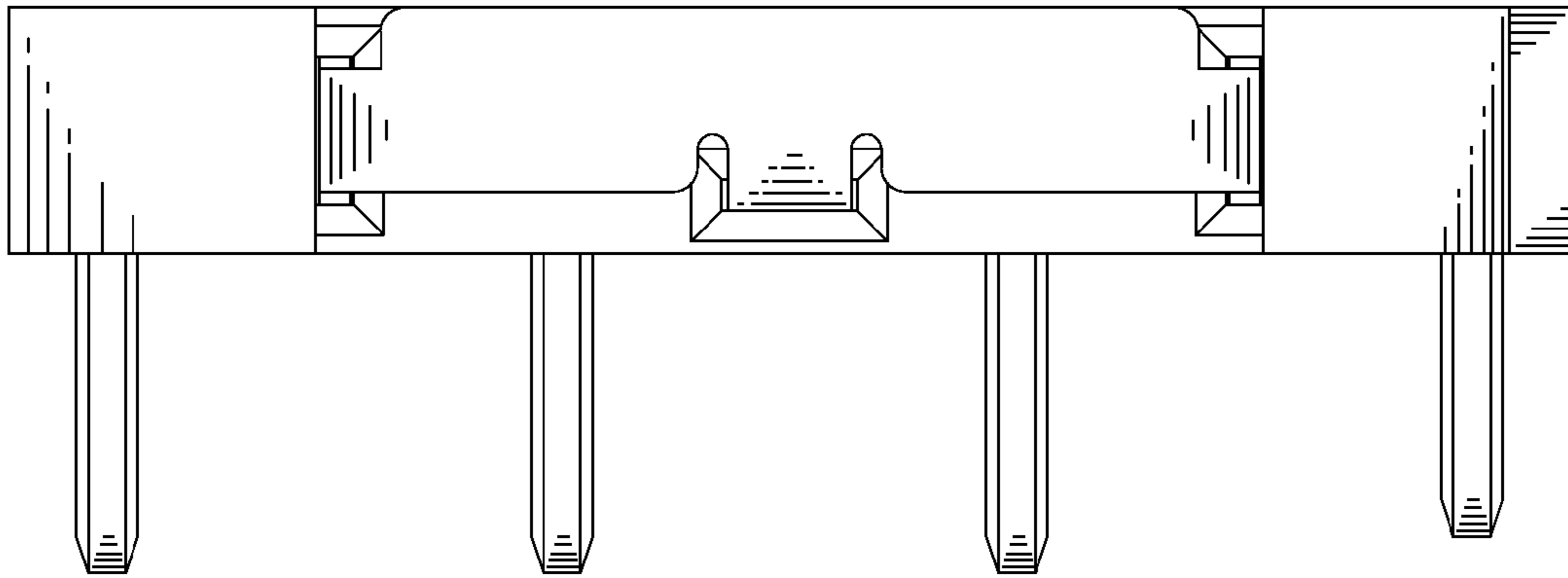


FIG. 6

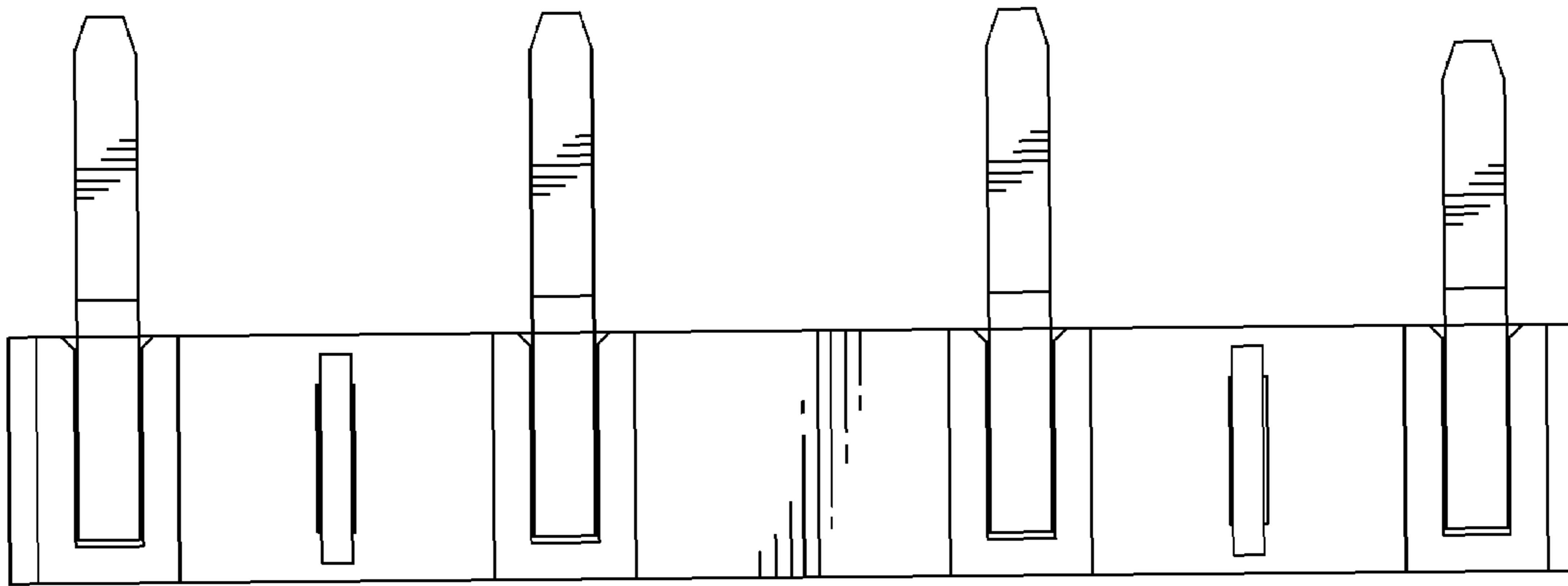


FIG. 7

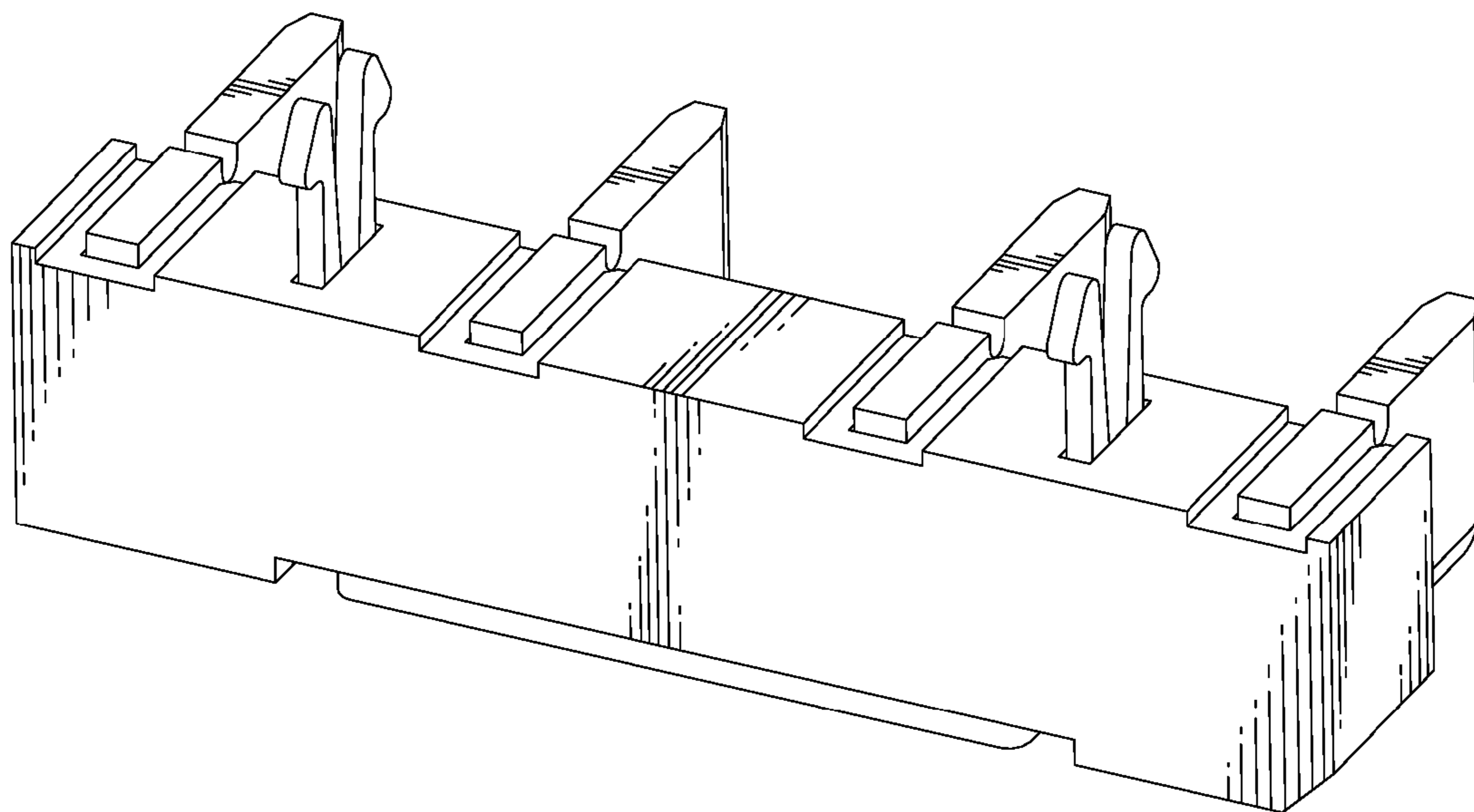


FIG. 8