



US00D613688S

(12) **United States Design Patent**
Yang et al.

(10) **Patent No.:** **US D613,688 S**

(45) **Date of Patent:** **** Apr. 13, 2010**

(54) **BATTERY CONNECTOR**

(75) Inventors: **Chih-Lin Yang**, Tu-Cheng (TW);
Chin-Chou Wang, Tu-Cheng (TW)

(73) Assignee: **Cheung Uei Precision Industry Co., Ltd.**, Tu-Cheng, Taipei Hsien (TW)

(**) Term: **14 Years**

(21) Appl. No.: **29/344,798**

(22) Filed: **Oct. 5, 2009**

(51) **LOC (9) Cl.** **13-03**

(52) **U.S. Cl.** **D13/120**

(58) **Field of Classification Search** D13/118–121,
D13/133, 146–147, 184, 199; 439/83, 108,
439/166, 500, 577, 630, 660, 680, 700, 773.1,
439/862

See application file for complete search history.

(56) **References Cited**

U.S. PATENT DOCUMENTS

D419,133	S	*	1/2000	Yoshida et al.	D13/120
D419,522	S	*	1/2000	Kamagai	D13/120
6,361,359	B1	*	3/2002	Du et al.	439/500
D558,671	S	*	1/2008	Chen et al.	D13/120
D559,180	S	*	1/2008	Lai et al.	D13/120
D561,099	S	*	2/2008	Kobayashi	D13/120
D562,251	S	*	2/2008	Ma et al.	D13/147

D563,322	S	*	3/2008	Ma	D13/146
D571,725	S	*	6/2008	Hung et al.	D13/120
D585,373	S	*	1/2009	Hung	D13/120

* cited by examiner

Primary Examiner—Rosemary K Tarcza

(74) *Attorney, Agent, or Firm*—Cheng-Ju Chiang

(57) **CLAIM**

The ornamental design for battery connector, as shown and described.

DESCRIPTION

FIG. 1 is a perspective view of battery connector showing our new design;

FIG. 2 is a front elevational view thereof;

FIG. 3 is a rear elevational view thereof;

FIG. 4 is a left side elevational view thereof;

FIG. 5 is a right side elevational view thereof;

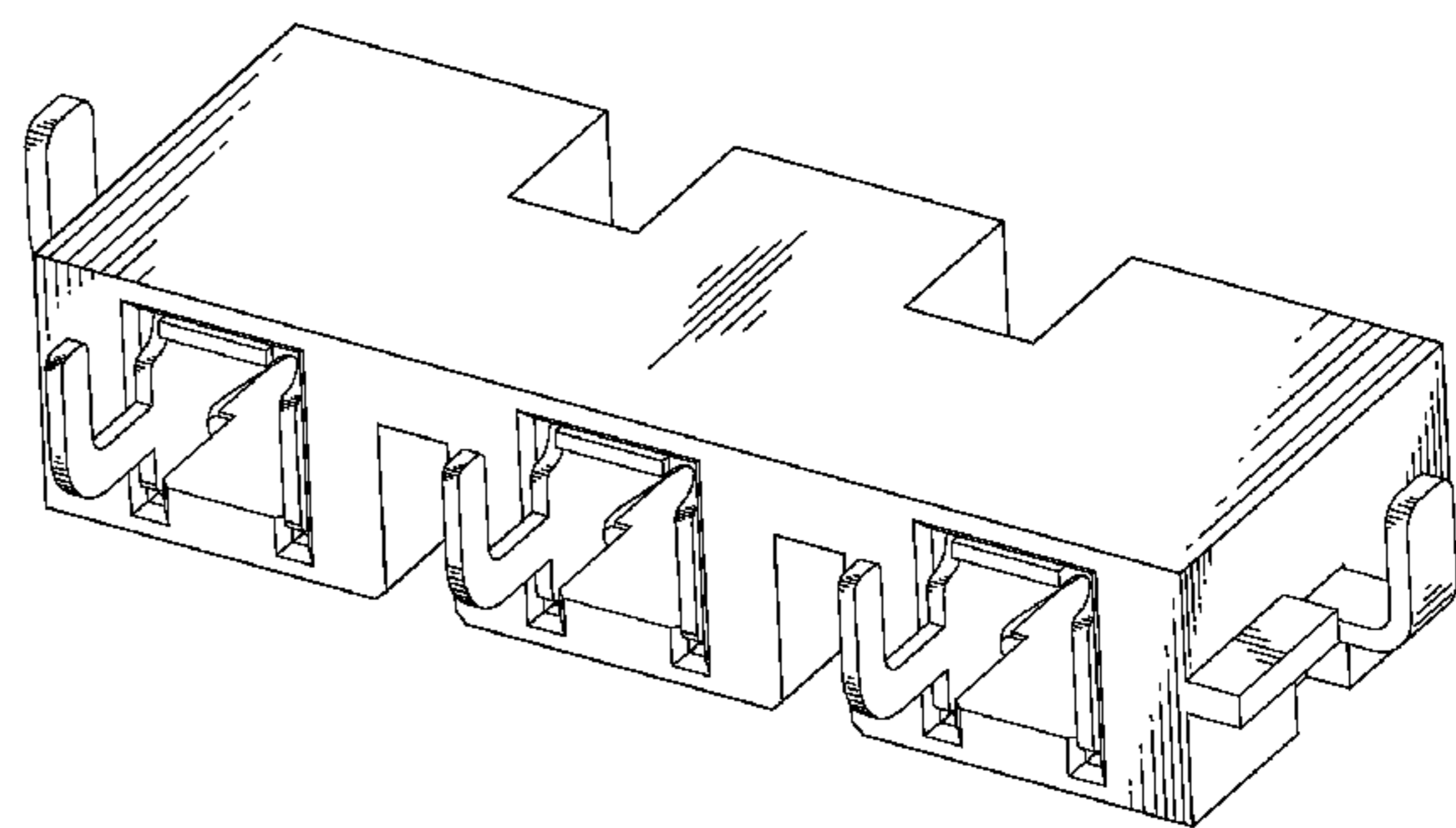
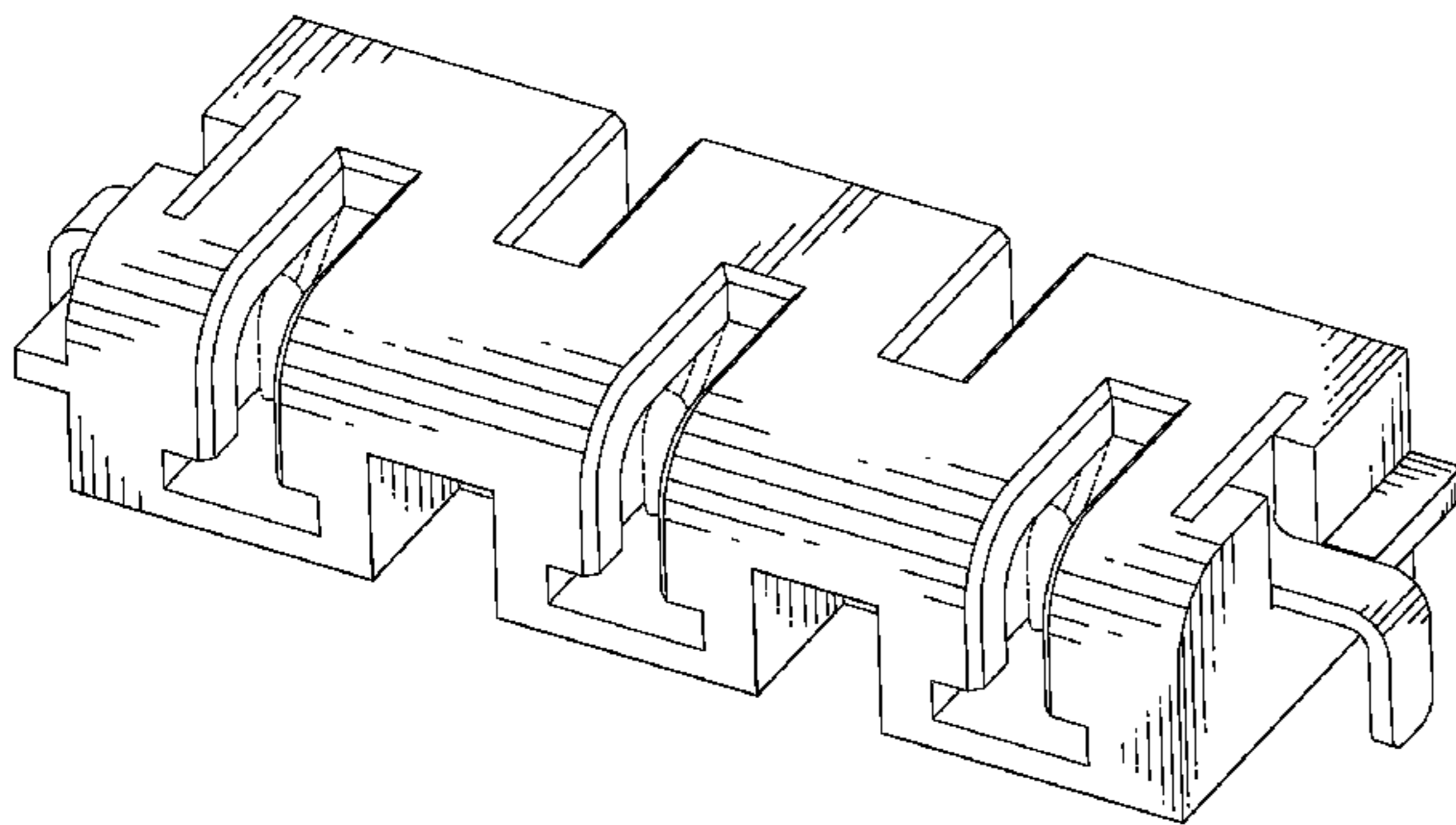
FIG. 6 is a top plan view thereof;

FIG. 7 is a bottom plan view thereof; and,

FIG. 8 is another perspective view of battery connector showing our new design.

The broken lines in the Figures are for illustrative purposes and form no part of the claimed designs.

1 Claim, 8 Drawing Sheets



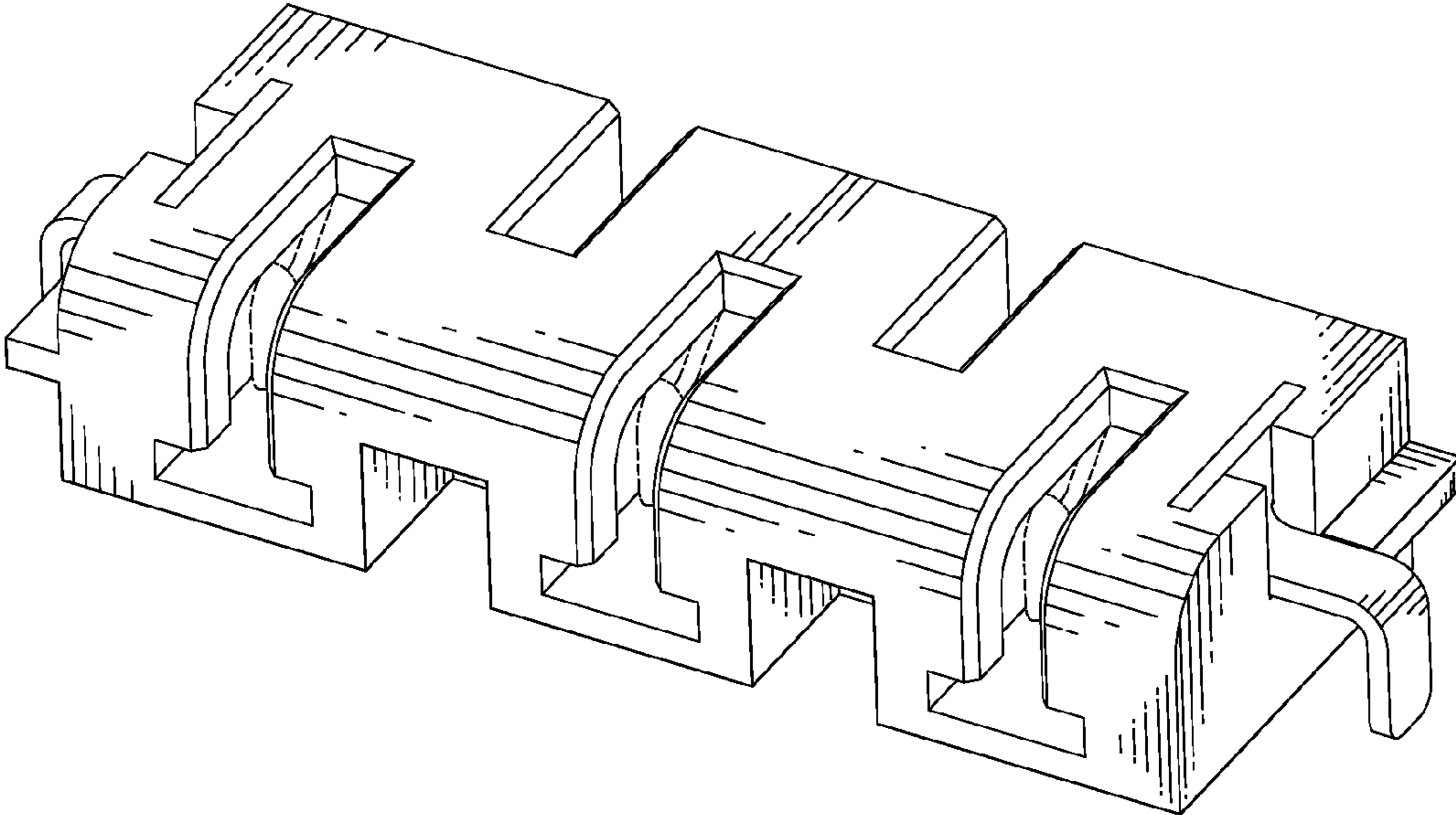


FIG. 1

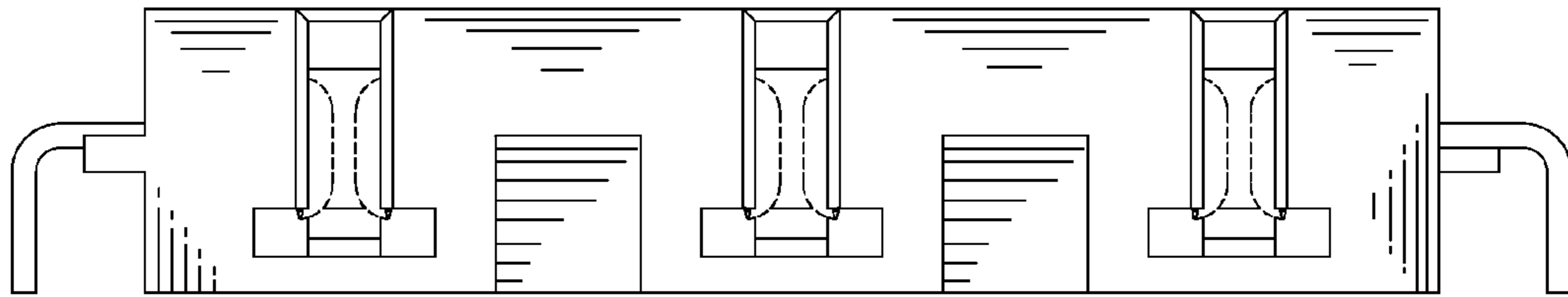


FIG. 2

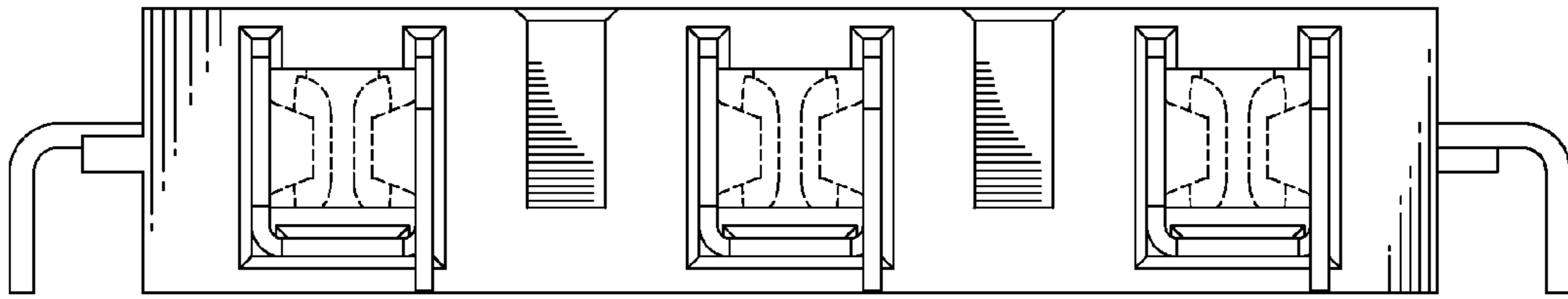


FIG. 3

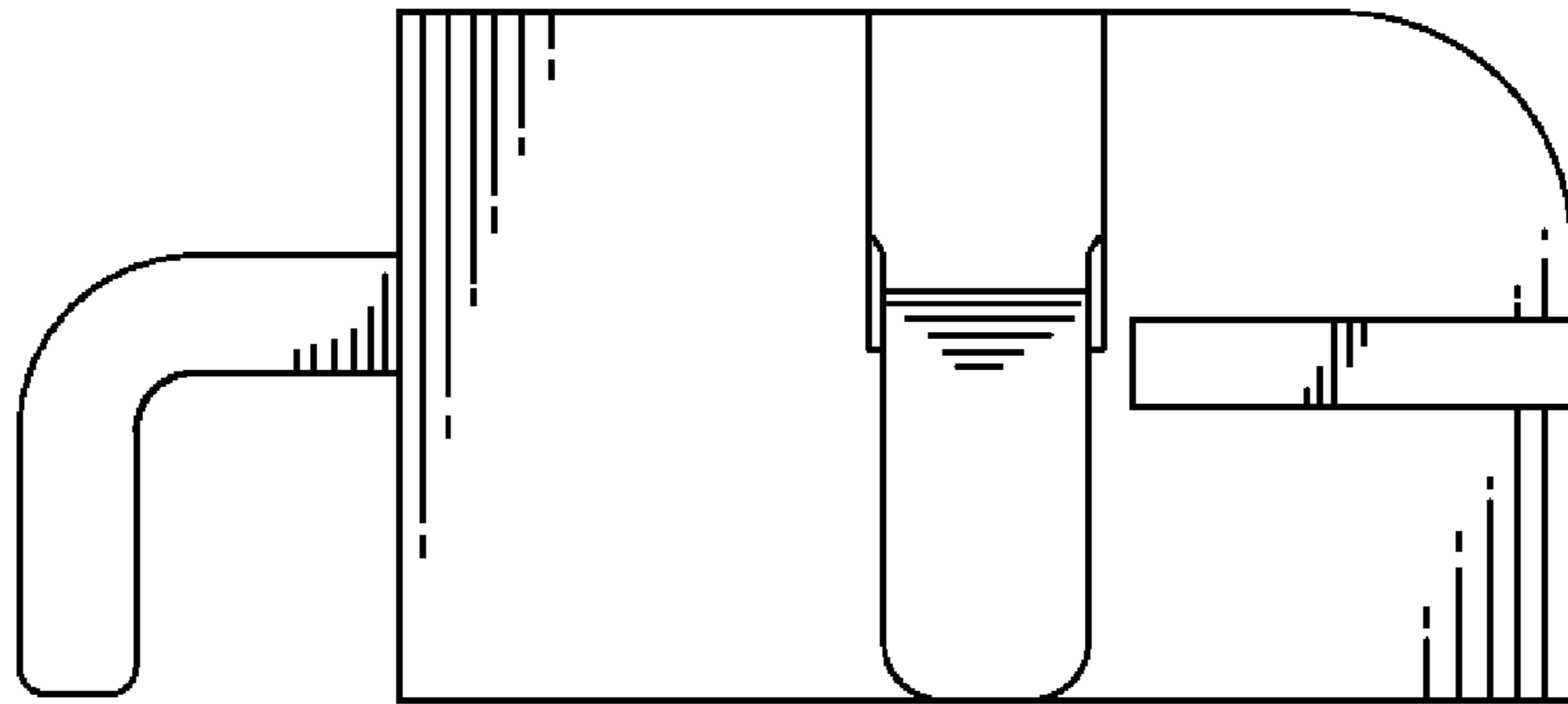


FIG. 4

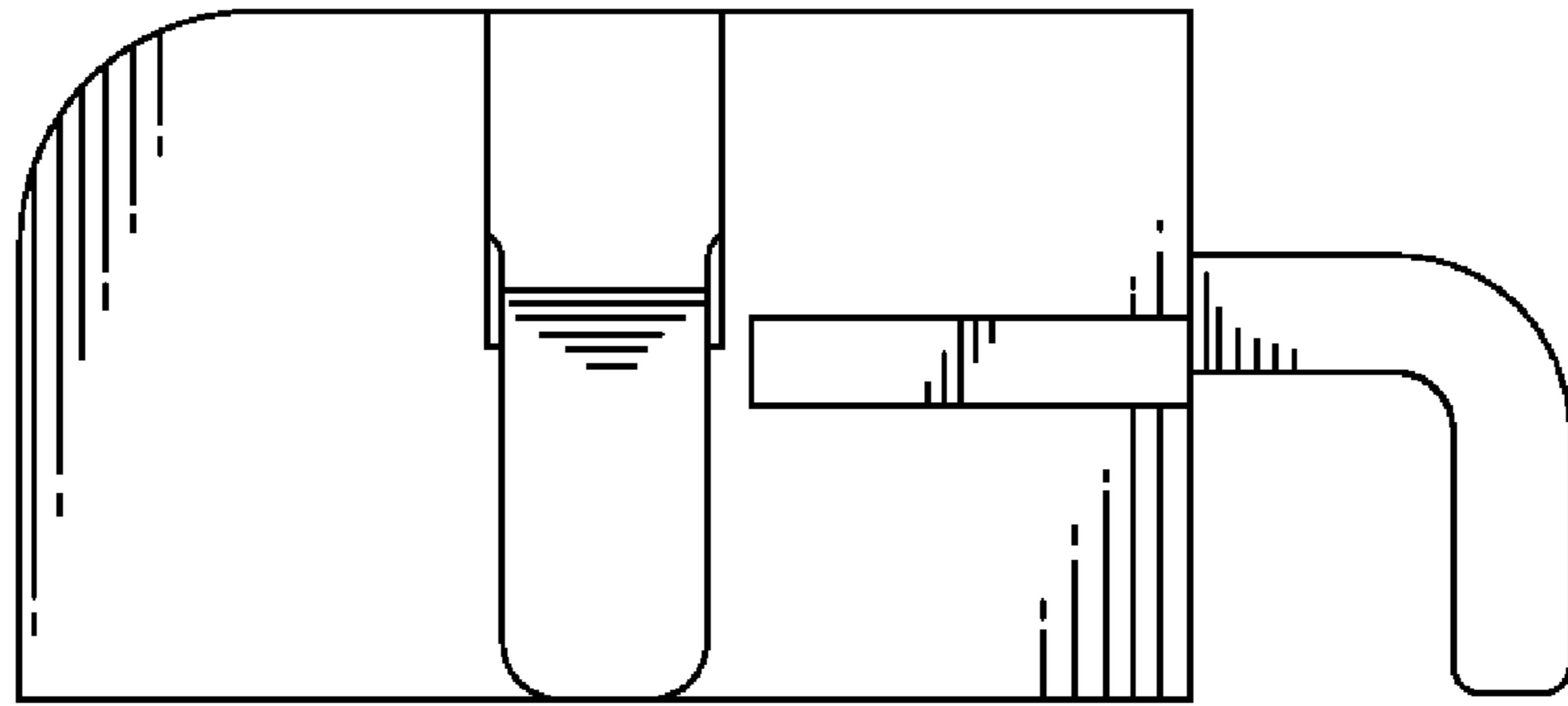


FIG. 5

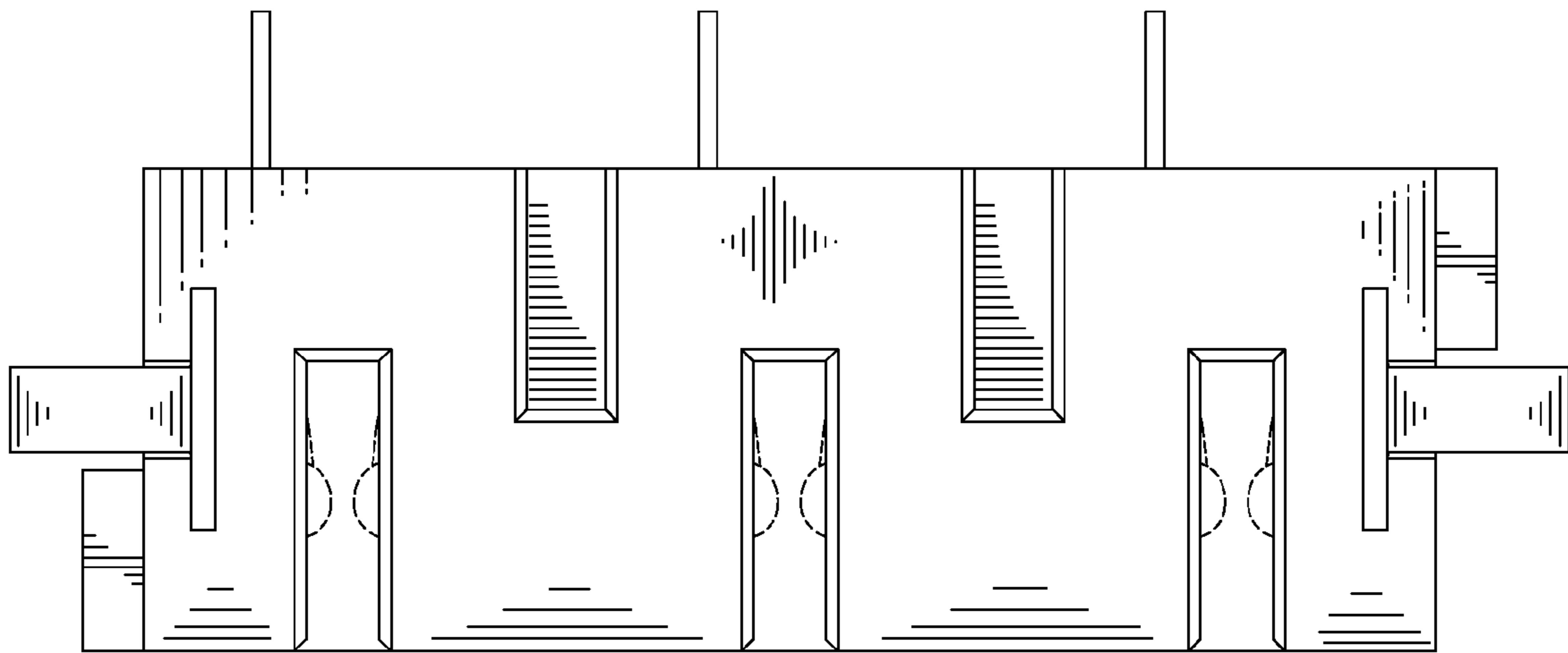


FIG. 6

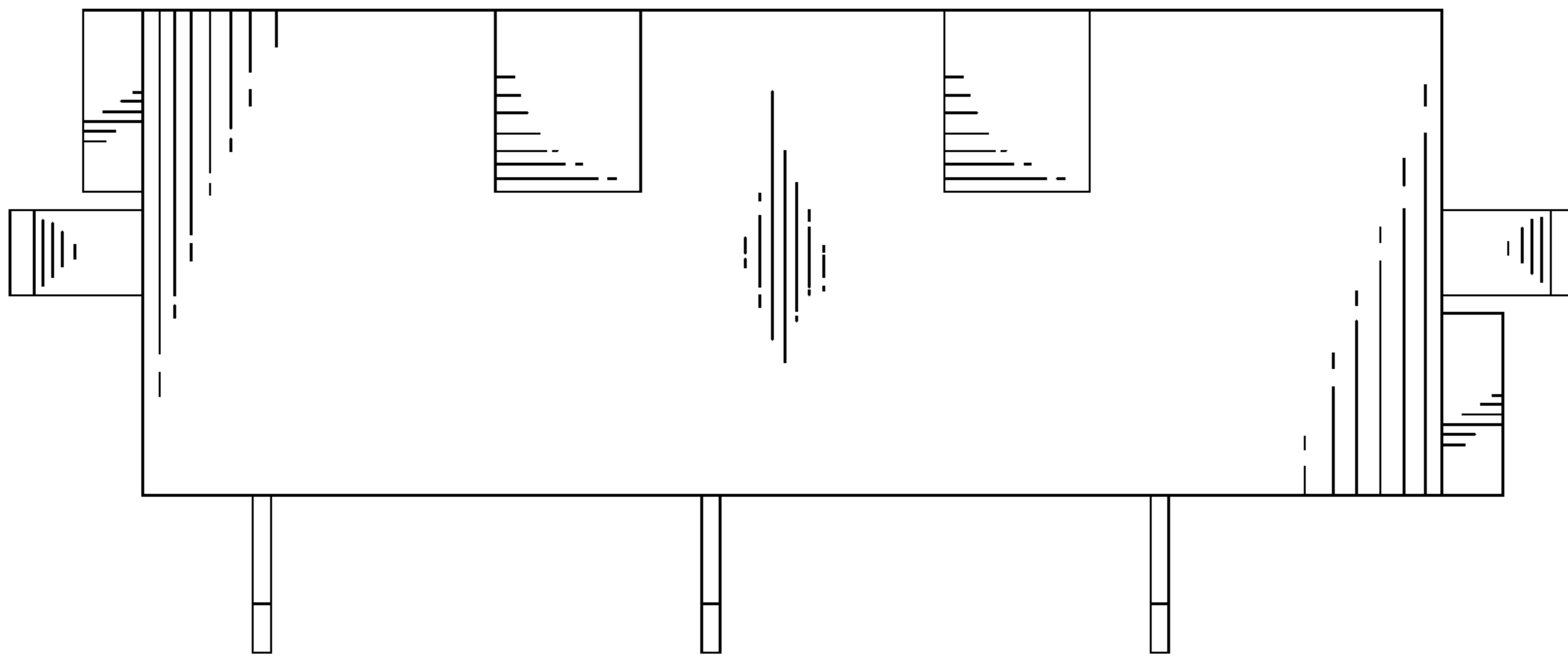


FIG. 7

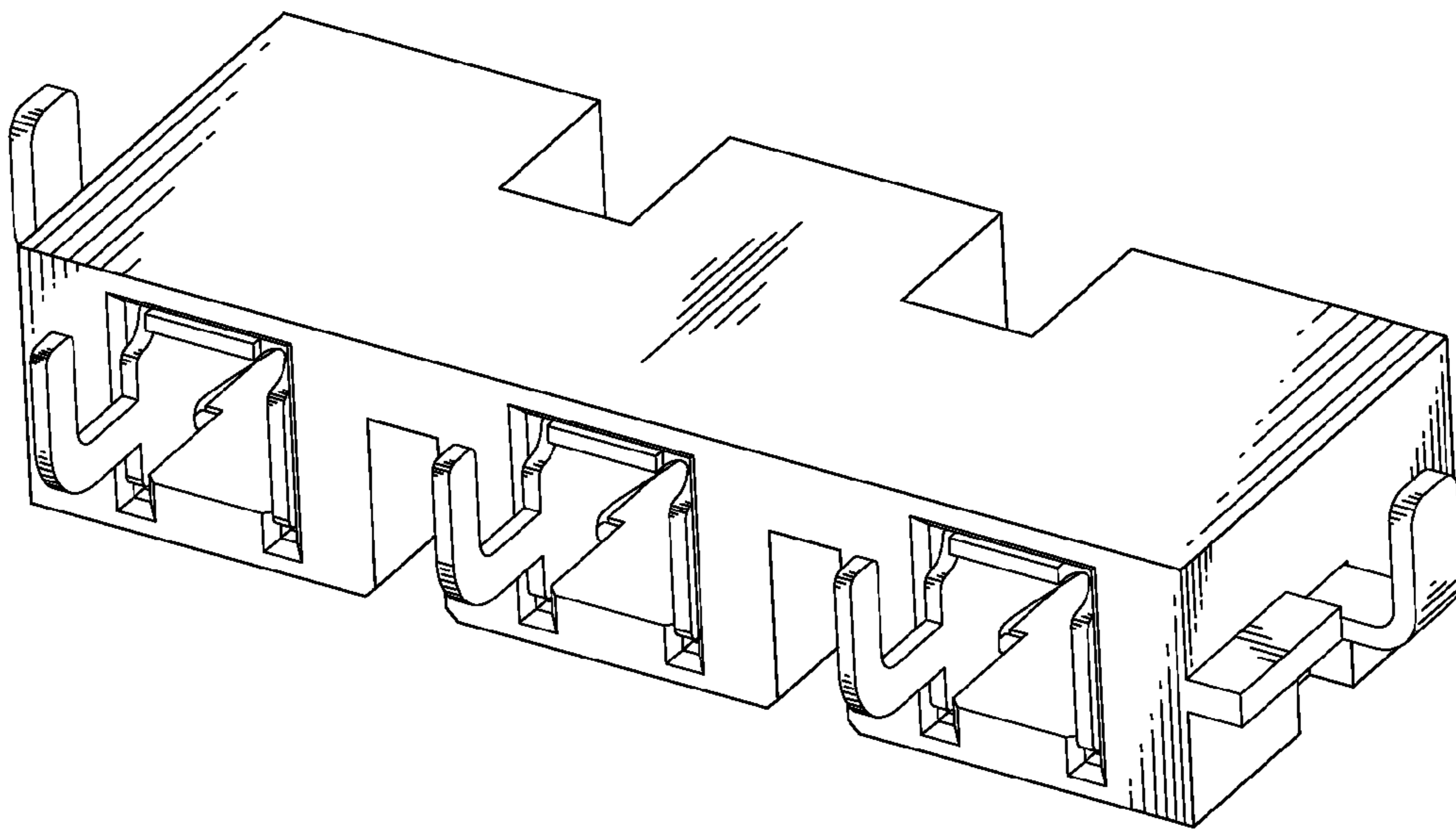


FIG. 8