



US00D613687S

(12) **United States Design Patent**
Thorsteinsson et al.

(10) **Patent No.:** **US D613,687 S**
(45) **Date of Patent:** **** Apr. 13, 2010**

(54) **ELECTRICAL TRANSFORMER**

(75) Inventors: **Sigurdur Thorsteinsson**, Milan (IT);
Egil Stryken, Solbergelva (NO);
Richard Tinggren, Thalwil (CH)

(73) Assignees: **ABB T&D Technology, Ltd.**, Zurich
(CH); **ABB Technology AG**, Zurich
(CH)

(**) Term: **14 Years**

(21) Appl. No.: **29/336,557**

(22) Filed: **May 5, 2009**

Related U.S. Application Data

(62) Division of application No. 29/317,370, filed on Apr. 29, 2008, now Pat. No. Des. 594,408, which is a division of application No. 29/282,093, filed on Jul. 11, 2007, now Pat. No. Des. 570,282, which is a division of application No. 29/275,256, filed on Dec. 19, 2006, now Pat. No. Des. 550,155, which is a division of application No. 29/204,775, filed on May 5, 2004, now Pat. No. Des. 542,734.

Foreign Application Priority Data

(30) Nov. 12, 2003 (EM) 000102397

(51) **LOC (9) Cl.** **13-02**
(52) **U.S. Cl.** **D13/110**
(58) **Field of Classification Search** D13/110,
D13/101, 199; 174/52 R; 220/4.02; 336/92,
336/94, 98, 107; 363/153, 171
See application file for complete search history.

References Cited

U.S. PATENT DOCUMENTS

2,325,470 A 7/1943 Bonanno et al.
D188,248 S 6/1960 Albright et al.
D188,249 S 6/1960 Albright et al.
2,947,957 A 8/1960 Spindler
D195,975 S * 8/1963 Bianco et al. D13/110

D202,045 S 8/1965 Oberlin
D210,130 S * 2/1968 Stewart D13/110
3,479,563 A 11/1969 Roy
D219,923 S * 2/1971 Marchand D13/110
D222,480 S * 10/1971 Canney D13/110
3,781,741 A 12/1973 Weiner
4,027,279 A 5/1977 Shigehara et al.
D254,846 S 4/1980 Wood
D257,342 S 10/1980 Payne
4,257,027 A 3/1981 Yasuhisa
D259,040 S 4/1981 Pierce
D290,456 S 6/1987 Burgher et al.

(Continued)

OTHER PUBLICATIONS

ABB Inc., Power Transformers, 2003, 11 pgs.

(Continued)

Primary Examiner—Prabhakar Deshmukh
Assistant Examiner—Derrick Holland
(74) *Attorney, Agent, or Firm*—Connolly Bove Lodge & Hutz
LLP

(57) **CLAIM**

The ornamental design for an electrical transformer, as shown and described.

DESCRIPTION

This application is also related to co-pending U.S. application Ser. No. 29/275,260, filed Dec. 19, 2006.

FIG. 1 is a front elevation view of an electrical transformer showing our new design;

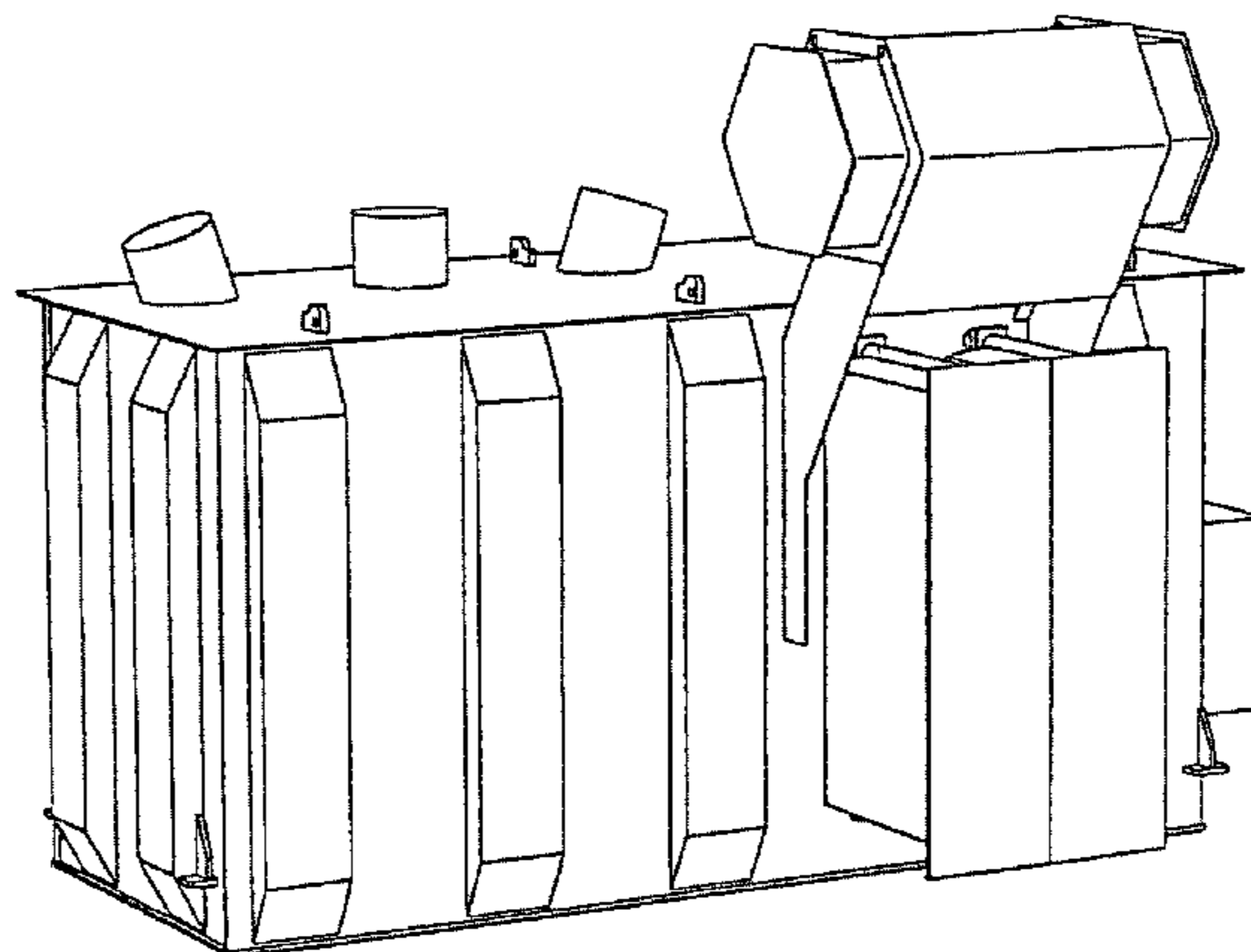
FIG. 2 is a side elevation view thereof;

FIG. 3 is a top plan view thereof; and,

FIG. 4 is a perspective view thereof.

The broken lines shown represent unclaimed subject matter and form no part of the claimed design.

1 Claim, 3 Drawing Sheets



US D613,687 S

Page 2

U.S. PATENT DOCUMENTS

D294,565 S 3/1988 Makinson et al.
D324,371 S 3/1992 Patty
D348,868 S 7/1994 Terlop et al.
6,185,811 B1 2/2001 Perry et al.

OTHER PUBLICATIONS

ASA Trafobau GmbH, 24 pgs. — Date unknown.

Koncar—Distributivni i Specijalni Transformatori d.d., Power Transformers (3,2) V 01, 8 pgs. — Date unknown.

SGB Starkstrom and SMIT Transformers, Partners in Power, 6 pgs. — Date unknown.

MF Transformatori srl, Oil Filled Transformer, 14 pgs., Date unknown.

* cited by examiner

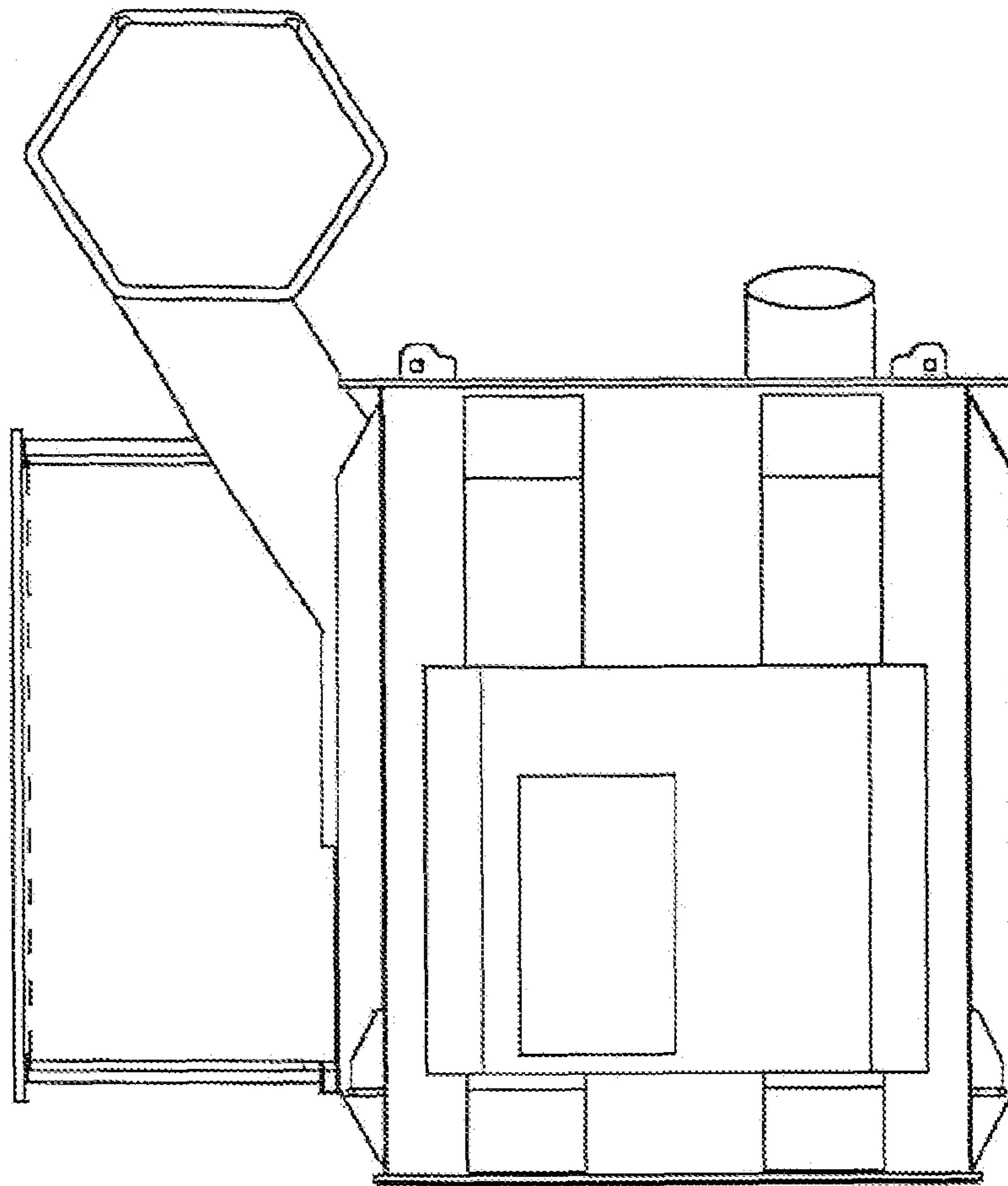


Fig. 1

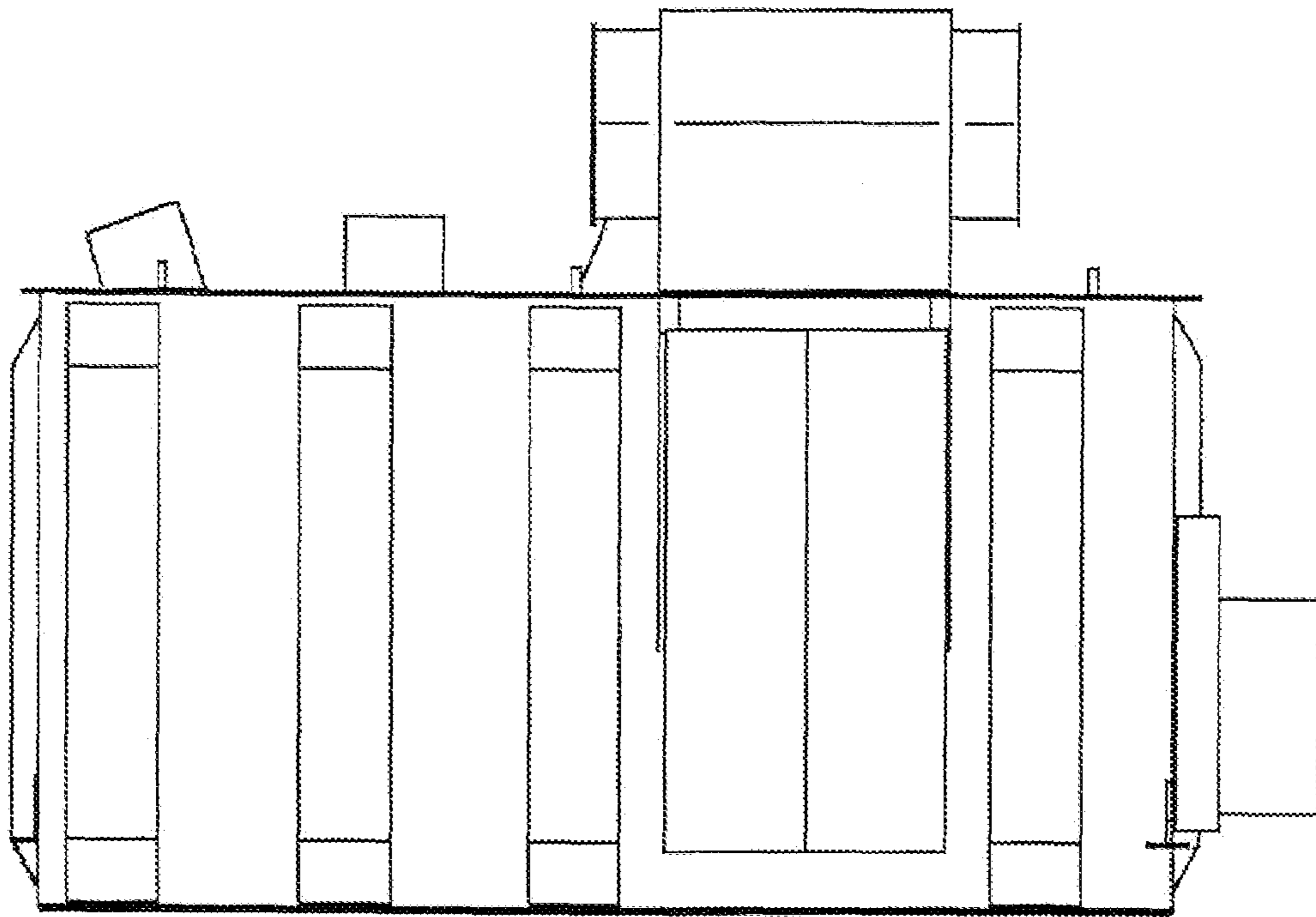


Fig. 2

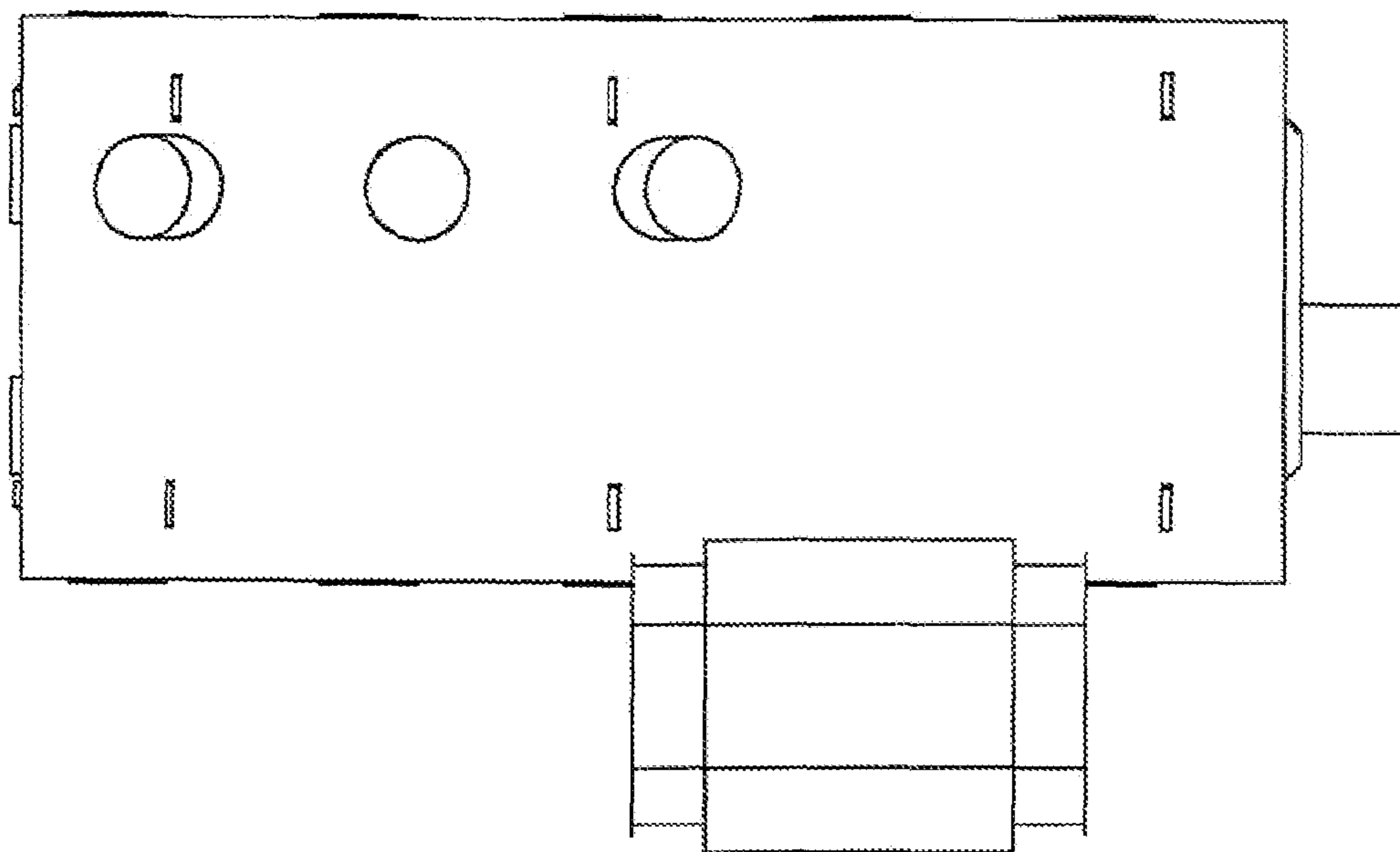


Fig. 3

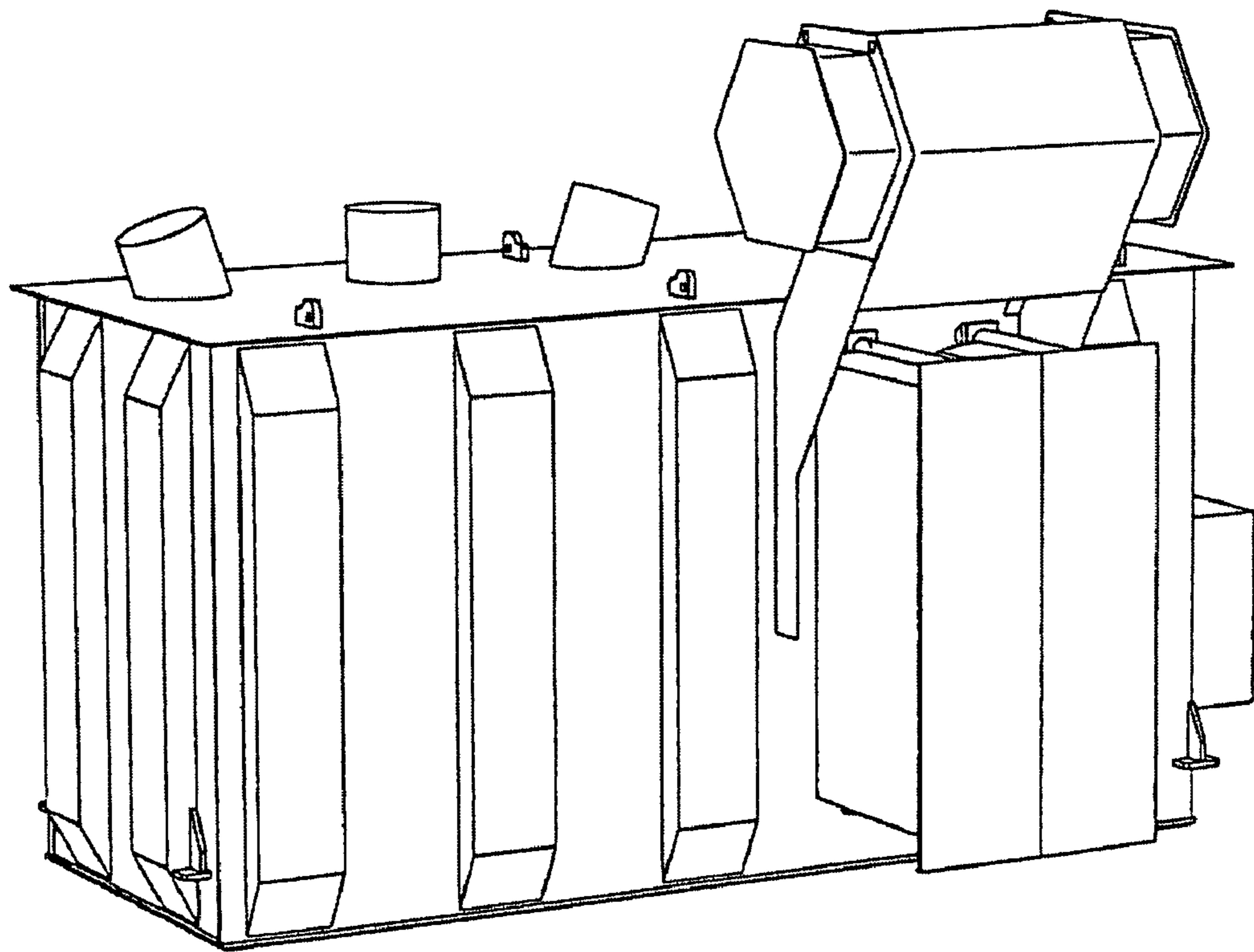


Fig. 4