



US00D613686S

(12) **United States Design Patent**  
**Mueller et al.**

(10) **Patent No.:** **US D613,686 S**

(45) **Date of Patent:** **\*\* \*Apr. 13, 2010**

(54) **CURRENT TRANSDUCER**

(75) Inventors: **Gerwin Mueller**, Kiel (DE); **Gerd Witt**, Kiel (DE)

(73) Assignee: **Phoenix Contact GmbH & Co. KG**, Blomberg (DE)

(\*) Notice: This patent is subject to a terminal disclaimer.

(\*\*) Term: **14 Years**

(21) Appl. No.: **29/334,350**

(22) Filed: **Mar. 25, 2009**

(51) **LOC (9) Cl.** ..... **13-02**

(52) **U.S. Cl.** ..... **D13/110**

(58) **Field of Classification Search** ..... D13/110,  
D13/101, 117, 123, 124, 159, 184, 199; D10/75;  
73/767, 771, 779, 801, 811; 324/117 H,  
324/120, 121 R, 127; 361/18, 30, 31, 93.1–93.9;  
367/140; 369/13.11–13.13; 381/150; 336/173  
See application file for complete search history.

(56) **References Cited**

**U.S. PATENT DOCUMENTS**

4,059,798	A	11/1977	Dierker et al.	
4,138,882	A *	2/1979	Lockery et al.	73/767
4,513,274	A *	4/1985	Halder	336/173
4,794,326	A *	12/1988	Friedl	324/117 R
4,839,600	A *	6/1989	Kuurstra	324/127
5,103,163	A *	4/1992	McLyman	324/117 H
5,587,651	A *	12/1996	Berkcan et al.	324/127
D419,964	S *	2/2000	Holce et al.	D13/159
6,175,229	B1 *	1/2001	Becker et al.	324/117 H

D496,905	S *	10/2004	Hsu et al.	D13/110
D510,881	S *	10/2005	Morel	D10/78
D534,120	S *	12/2006	Ricci et al.	D13/110
D549,172	S *	8/2007	Suzuki	D13/110
D550,618	S *	9/2007	Ricci et al.	D13/110
D550,619	S *	9/2007	Ricci et al.	D13/110

**OTHER PUBLICATIONS**

Co-pending U.S. Appl. No. 29/314,399, filed Mar. 25, 2009, entitled "Current Transducer (Color)".

\* cited by examiner

*Primary Examiner*—Prabhakar Deshmukh

*Assistant Examiner*—Derrick Holland

(74) *Attorney, Agent, or Firm*—Darby & Darby

(57) **CLAIM**

The ornamental design for a current transducer, as shown and described.

**DESCRIPTION**

FIG. 1 is a front, left, top-side perspective view of the current transducer showing our new design;

FIG. 2 is a right side view thereof;

FIG. 3 is a rear view thereof;

FIG. 4 is a front view thereof;

FIG. 5 is a left side view thereof;

FIG. 6 is a bottom view thereof; and,

FIG. 7 is a top view thereof.

The broken line portion in the drawing views is included to show unclaimed subject matter only and forms no part of the claimed design.

**1 Claim, 7 Drawing Sheets**

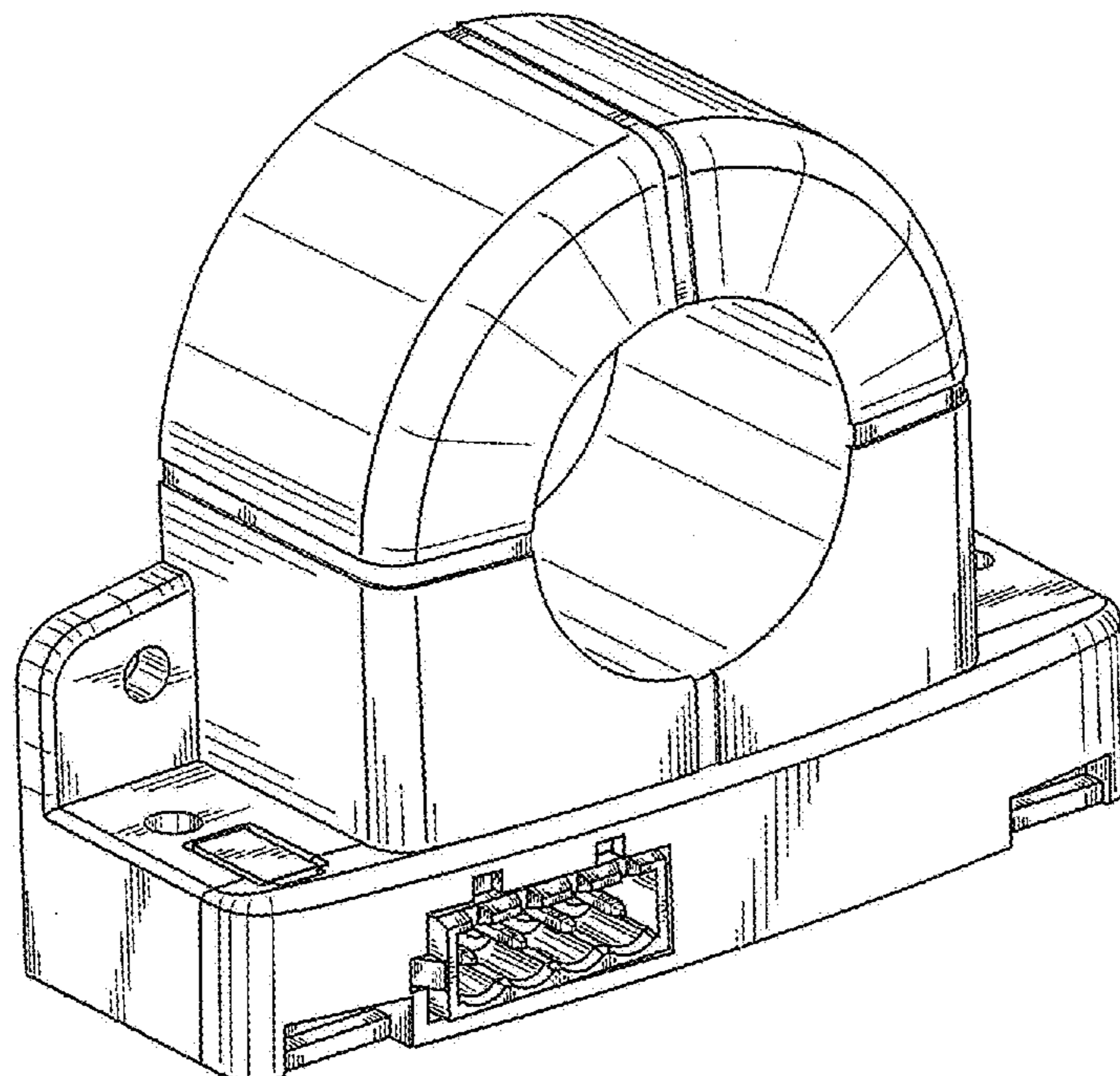


FIG. 1

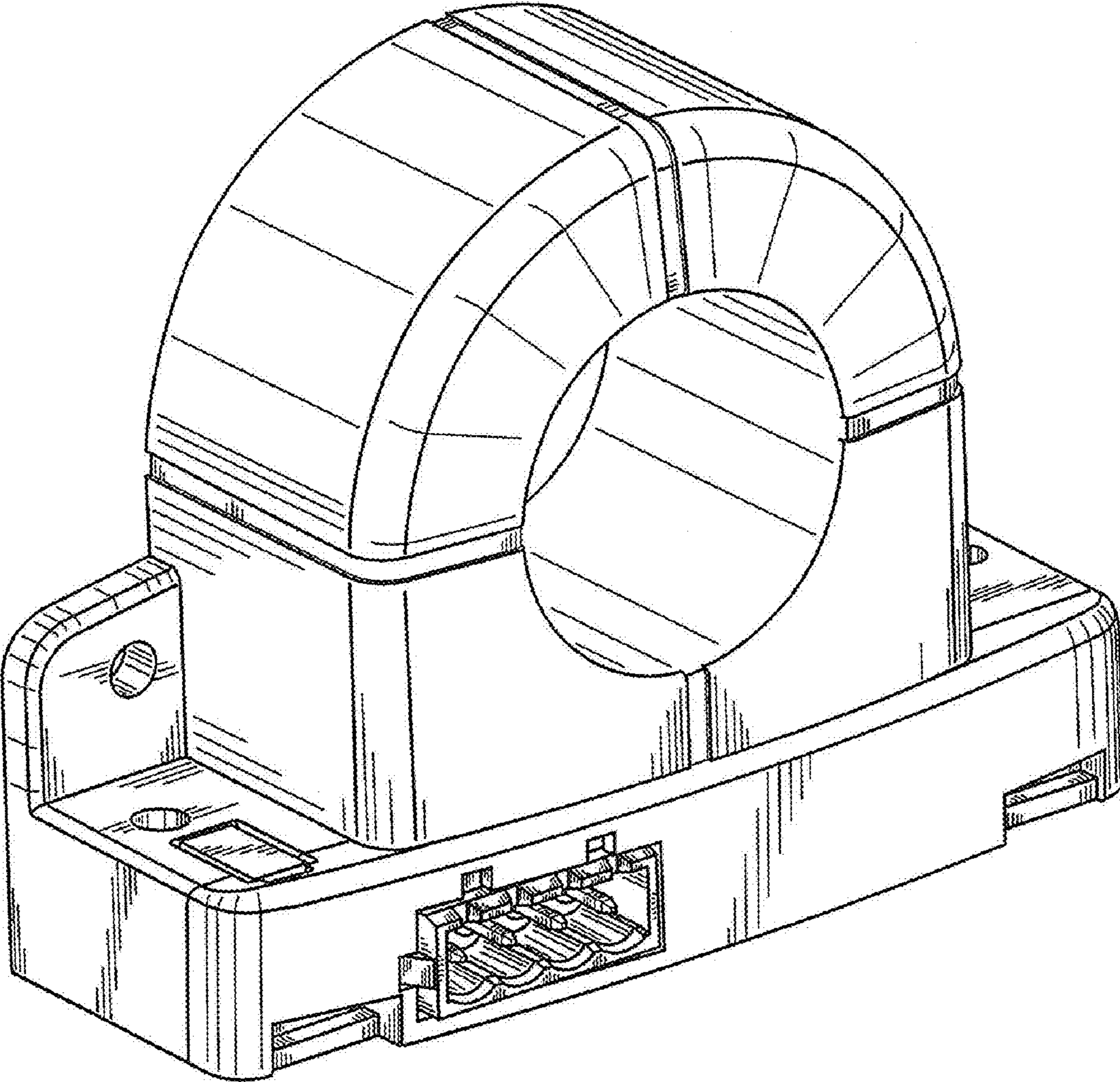


FIG. 2

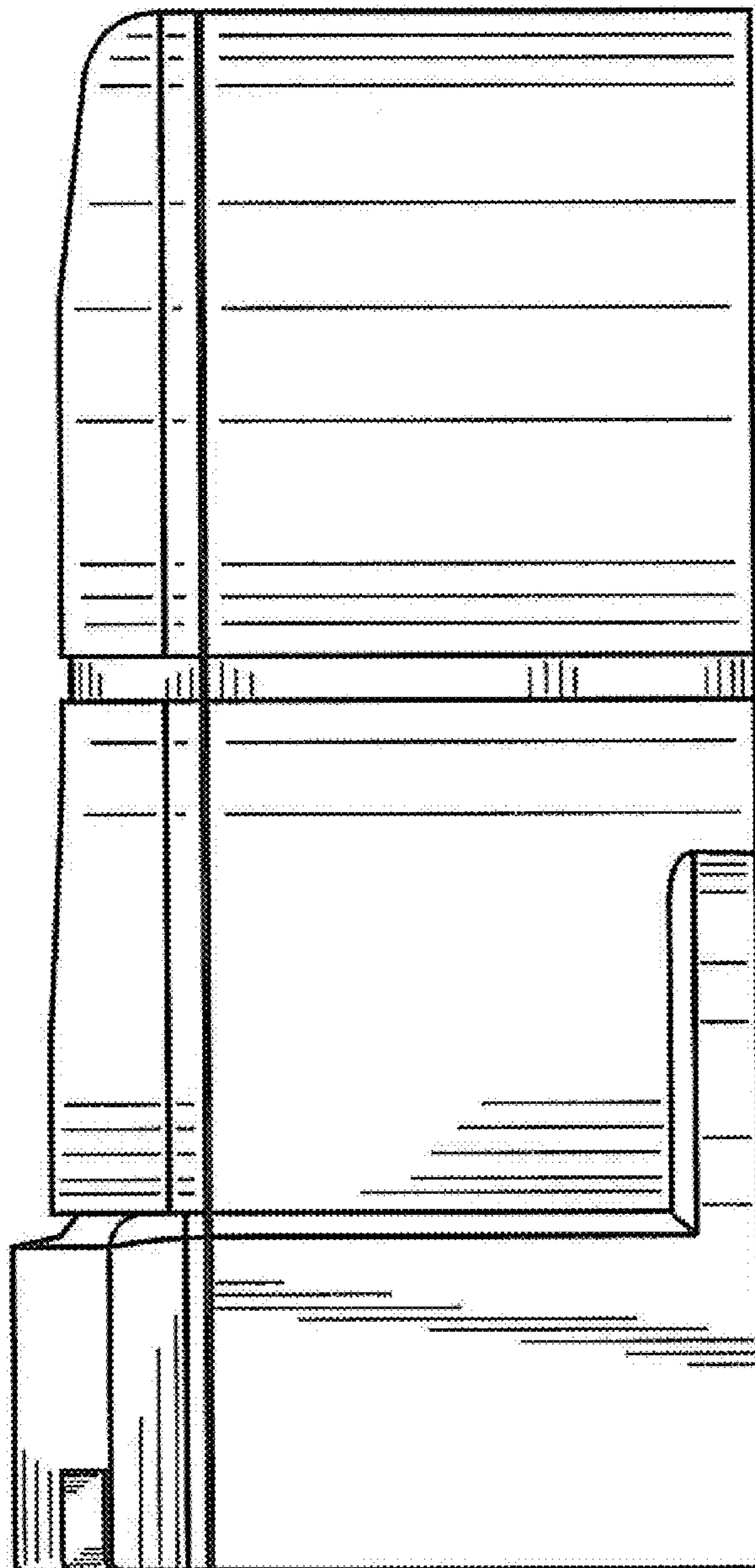


FIG. 3

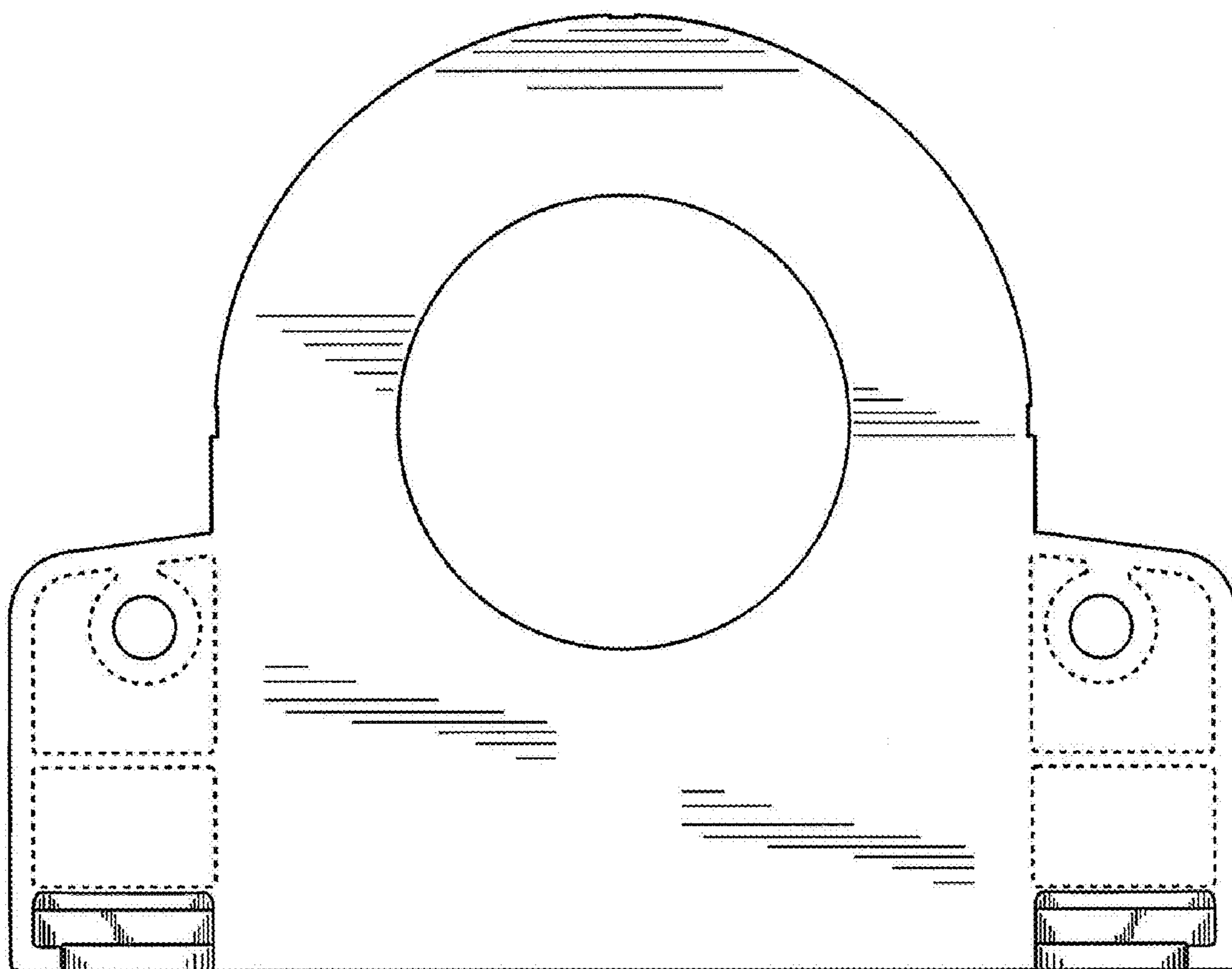


FIG. 4

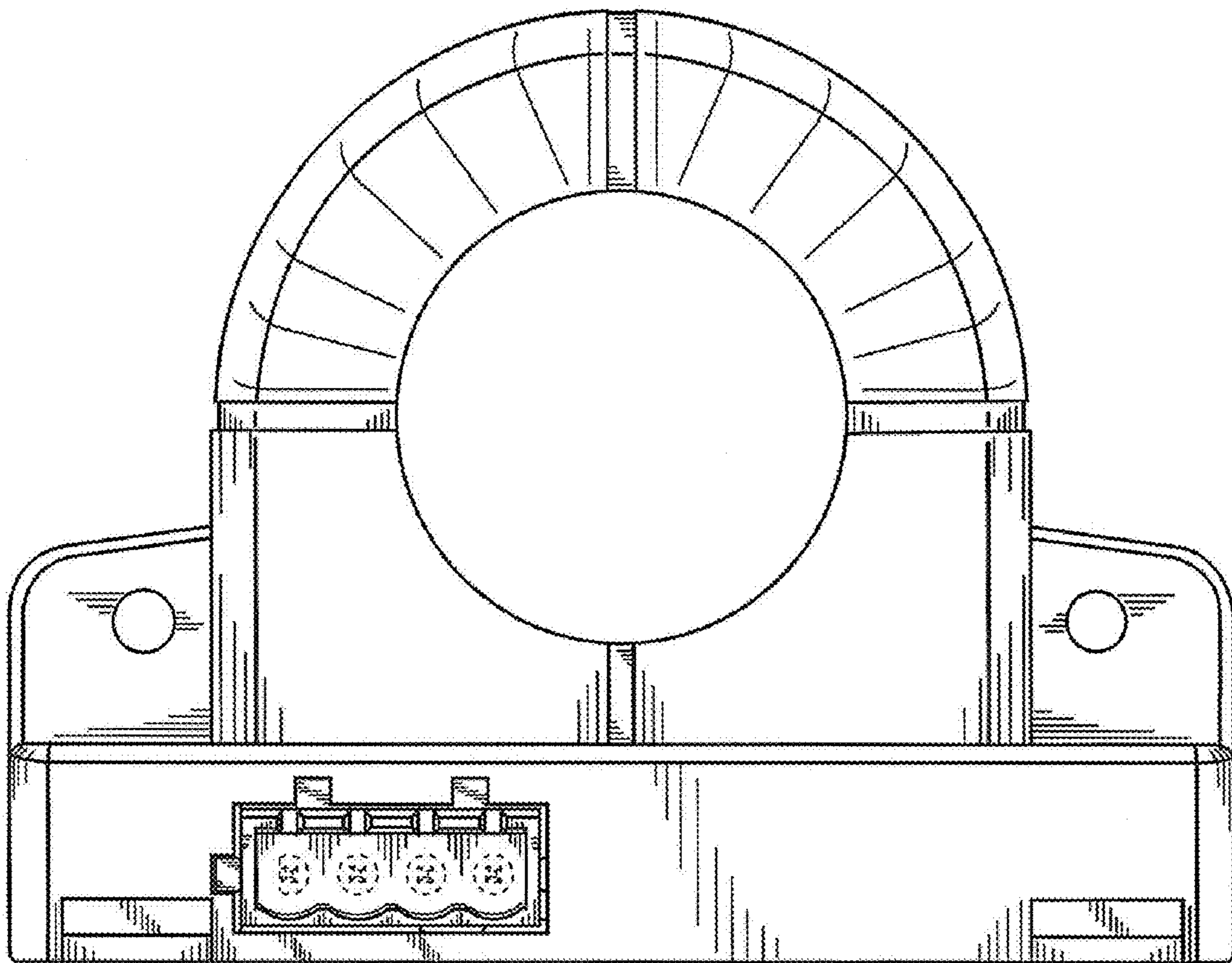


FIG. 5

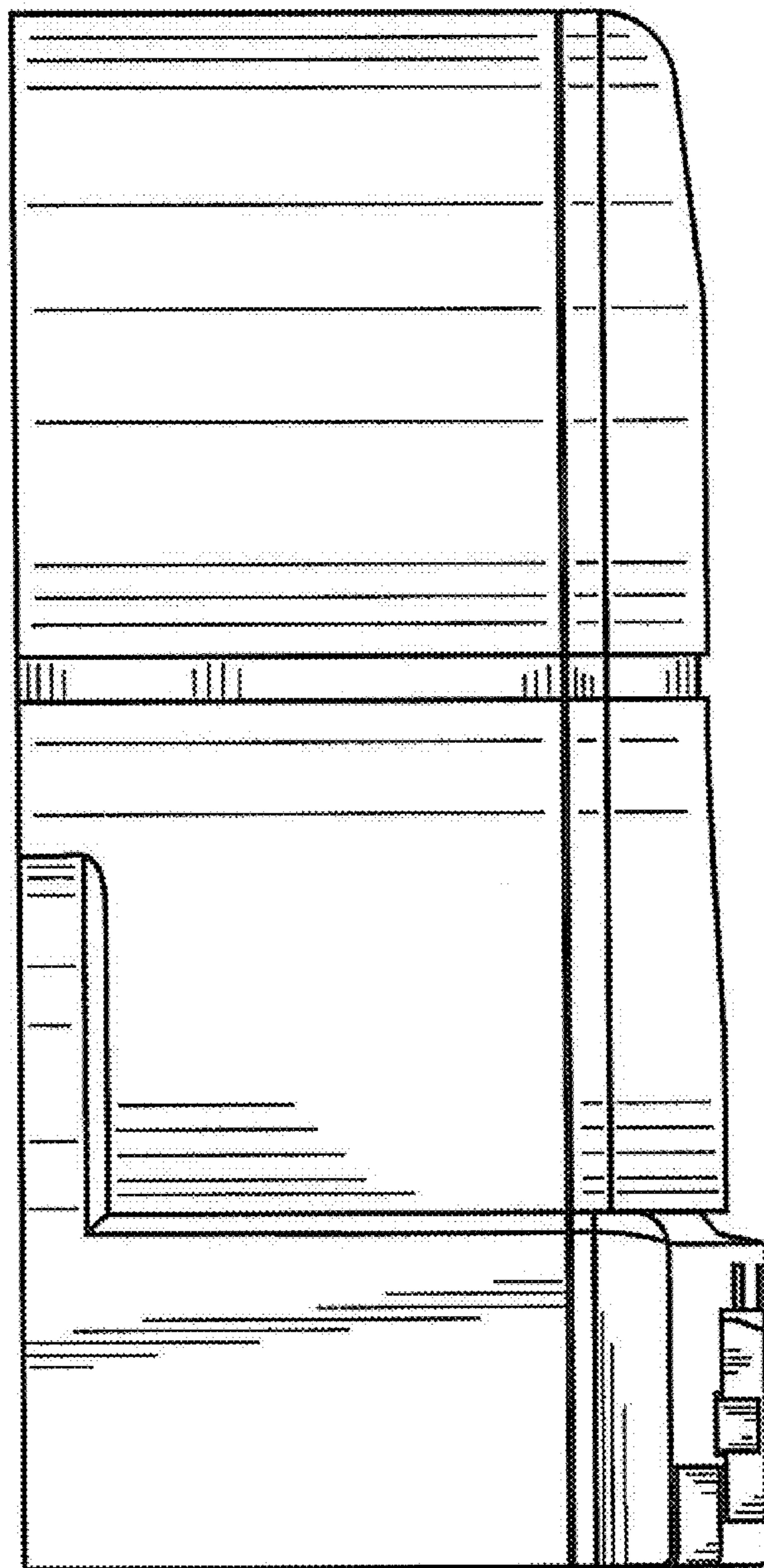


FIG. 6

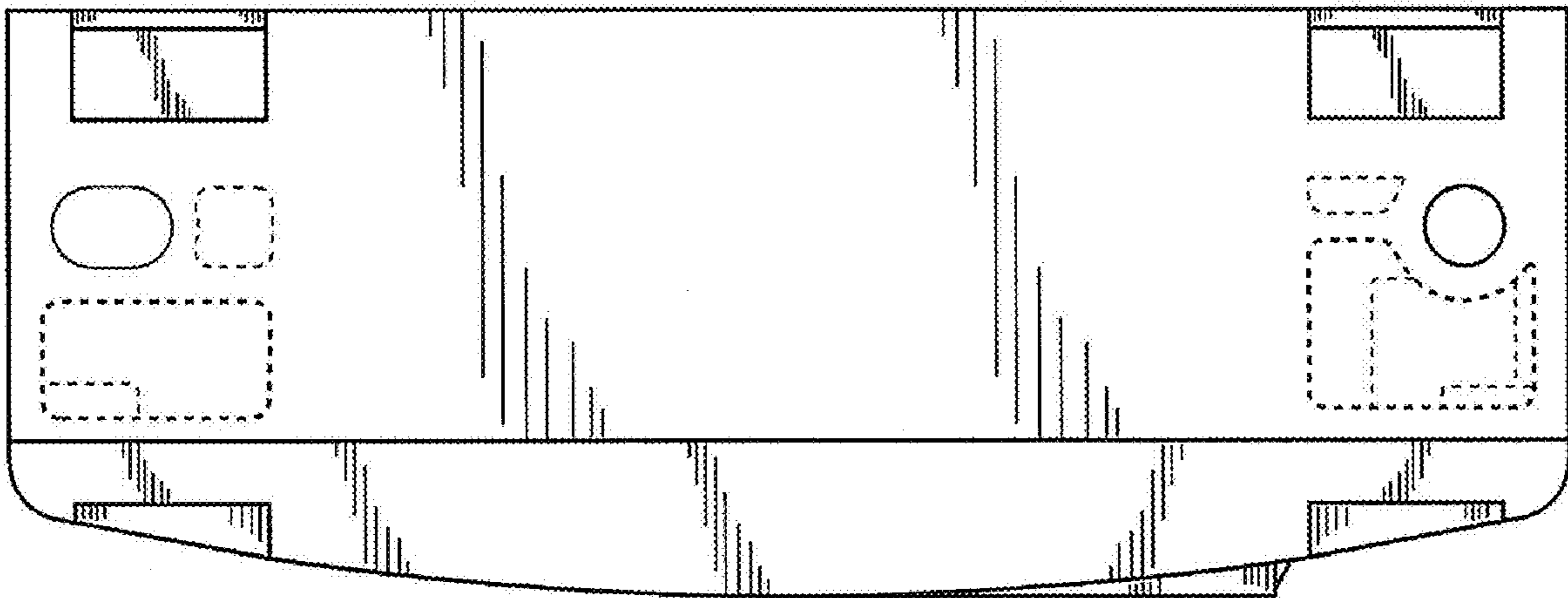


FIG. 7

