



US00D613678S

(12) **United States Design Patent**
Nakamura et al.

(10) **Patent No.:** **US D613,678 S**
(45) **Date of Patent:** **** Apr. 13, 2010**

(54) **TREAD PORTION OF AN AUTOMOBILE TIRE**

(75) Inventors: **Takamitsu Nakamura**, Tokyo (JP);
Yukihiro Kiwaki, Tokyo (JP)

(73) Assignee: **Bridgestone Corporation**, Tokyo (JP)

(**) Term: **14 Years**

(21) Appl. No.: **29/338,100**

(22) Filed: **Jun. 4, 2009**

(30) **Foreign Application Priority Data**

Dec. 9, 2008 (JP) 2008-031336

(51) **LOC (9) Cl.** **12-15**

(52) **U.S. Cl.** **D12/585**

(58) **Field of Classification Search** D12/568,
D12/579-603, 547-550, 900-901; 152/209.1,
152/209.8-209.19, 209.25-209.28

See application file for complete search history.

(56) **References Cited**

U.S. PATENT DOCUMENTS

D316,532 S *	4/1991	Tsuda et al.	D12/550
D368,451 S *	4/1996	Wallet et al.	D12/585
D379,338 S *	5/1997	Guspodin et al.	D12/585
D383,422 S *	9/1997	Kunos et al.	D12/585
D392,226 S *	3/1998	Howald et al.	D12/585
D400,134 S *	10/1998	Sato et al.	D12/585
D405,401 S *	2/1999	Ikeda	D12/585
D412,144 S *	7/1999	Demagall et al.	D12/585
D423,424 S *	4/2000	Ikeda	D12/585
D451,854 S *	12/2001	Hanya	D12/585
D451,862 S *	12/2001	Graas et al.	D12/585

D470,102 S *	2/2003	Shirouzu	D12/585
D481,991 S *	11/2003	Graas et al.	D12/585
D547,717 S *	7/2007	Yamane et al.	D12/585
D559,774 S *	1/2008	Kurata	D21/585
D578,471 S *	10/2008	Guspodin et al.	D12/585
D581,350 S *	11/2008	Froger	D12/585
D583,304 S *	12/2008	Heinen et al.	D12/550
D583,307 S *	12/2008	Heinen et al.	D12/585
D596,110 S *	7/2009	Smith	D12/585

FOREIGN PATENT DOCUMENTS

DE	40202616	8/2002
JP	1331133 S	5/2008

* cited by examiner

Primary Examiner—Stacia Cadmus

(74) *Attorney, Agent, or Firm*—Sughrue Mion, PLLC

(57) **CLAIM**

The ornamental design for a tread portion of an automobile tire, as shown and described.

DESCRIPTION

FIG. 1 is a front view of a tread portion of an automobile tire according to the present invention, the tread pattern repeating uniformly throughout the circumference of the tire;

FIG. 2 is a perspective view thereof;

FIG. 3 is a left side view thereof, the right side being a mirror image; and,

FIG. 4 is a fragmentary enlarged view showing the details of the tread portion thereof.

Broken lines in the drawing figures are used to show environmental structure only, and form no part of the claimed design.

1 Claim, 4 Drawing Sheets

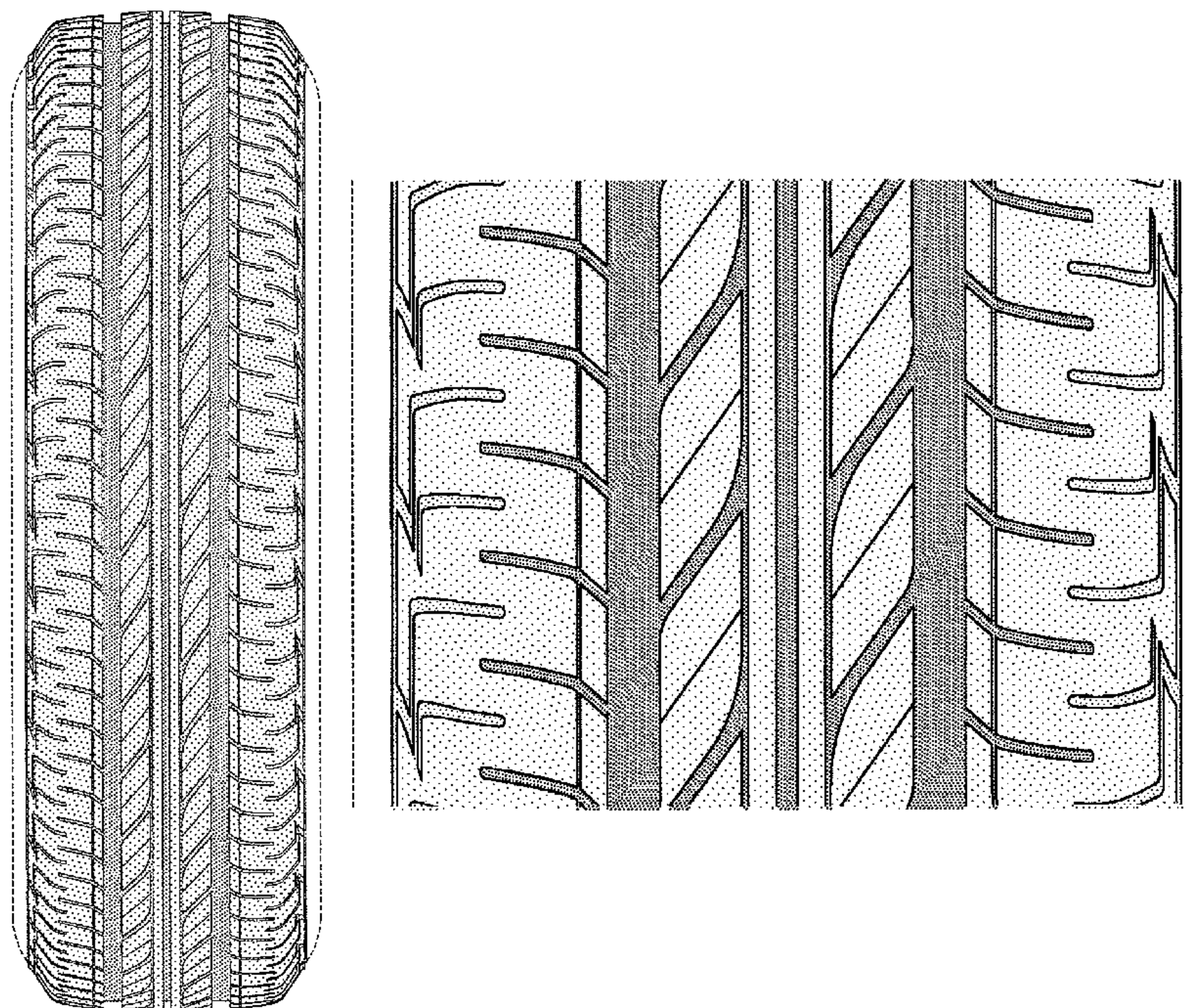


FIG. 1

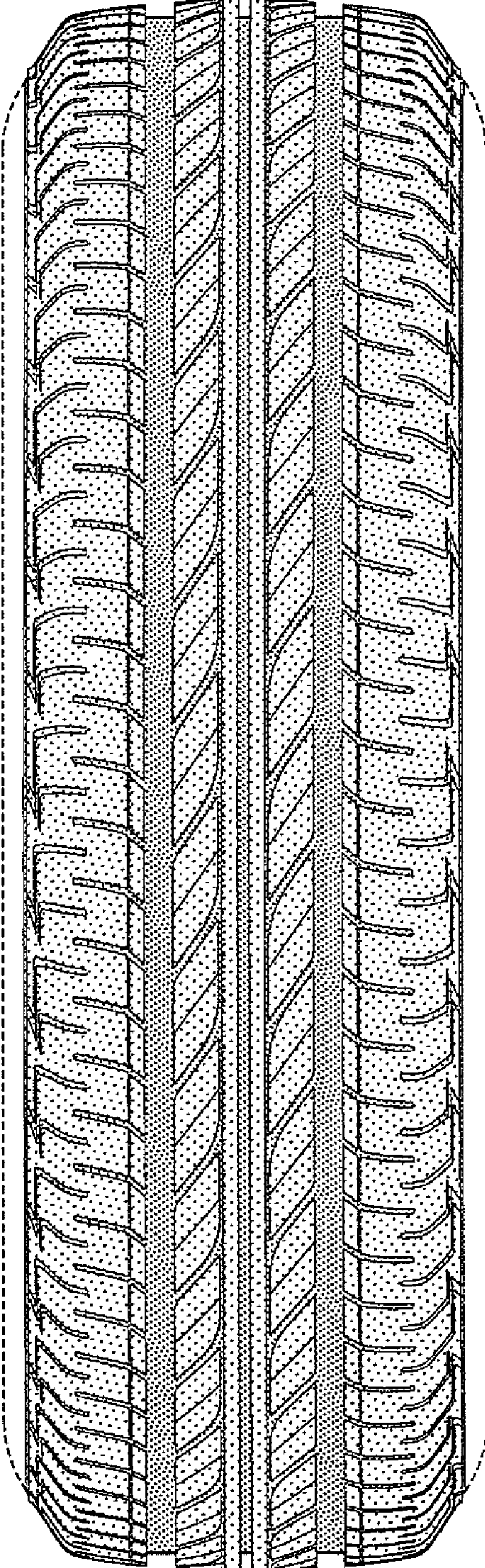


FIG. 2

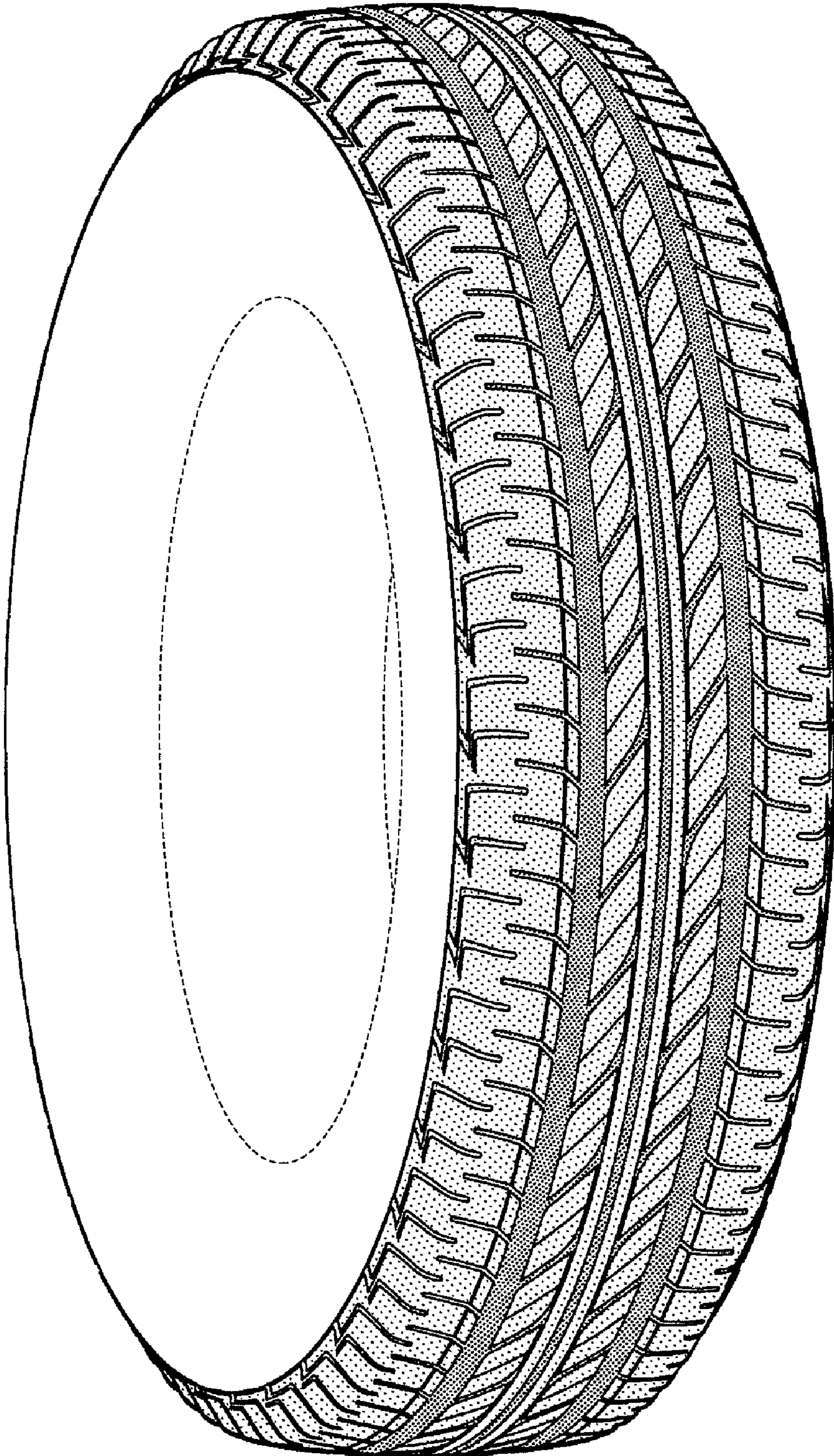


FIG. 3

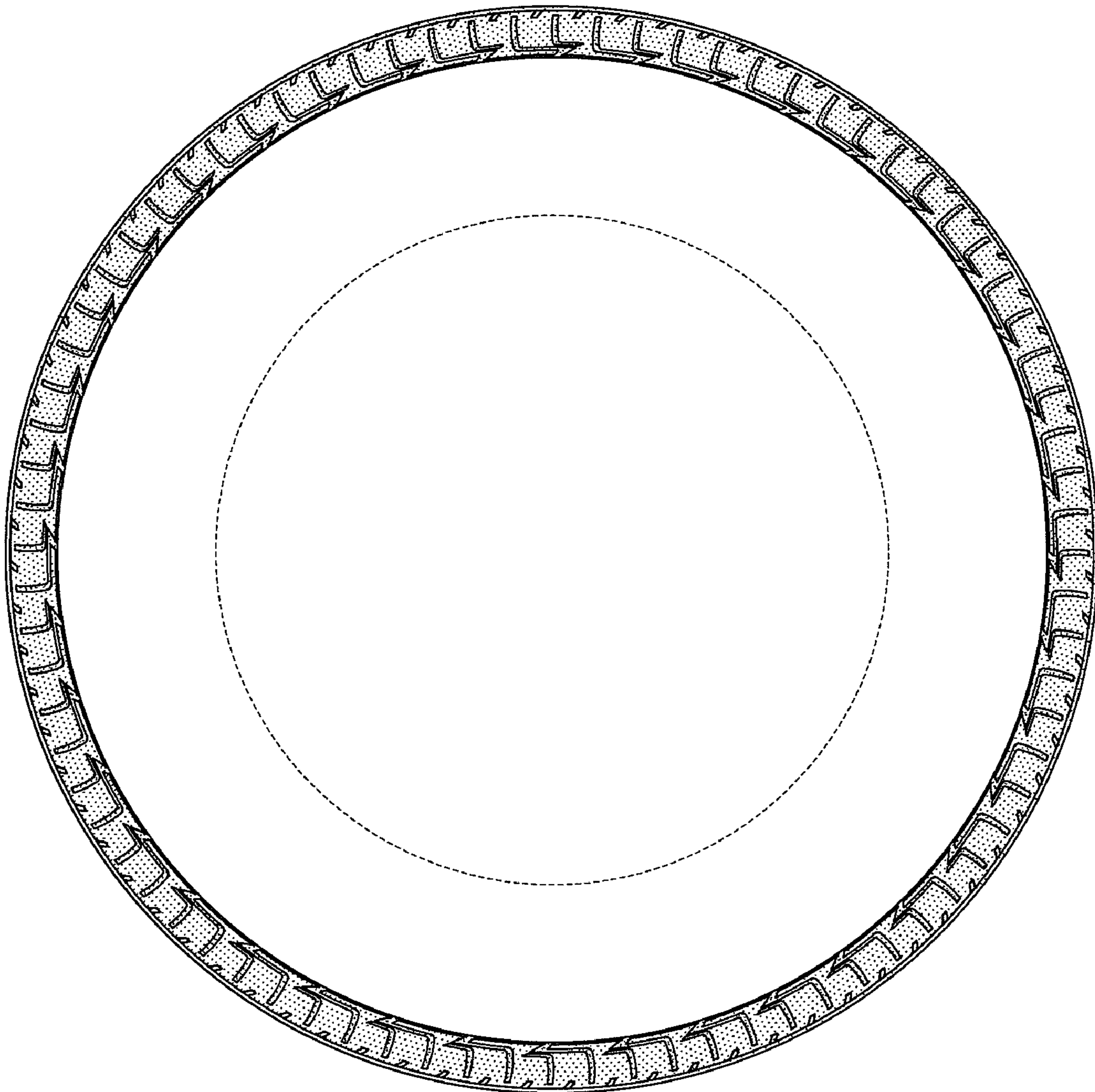


FIG. 4

