



US00D613677S

(12) **United States Design Patent**
Neubauer et al.

(10) **Patent No.:** **US D613,677 S**
(45) **Date of Patent:** **** Apr. 13, 2010**

- (54) **TIRE**
- (75) Inventors: **Robert Anthony Neubauer**, Medina, OH (US); **Dale Eugene Wells**, Massillon, OH (US); **Maurice Jacob Frank**, North Canton, OH (US)
- (73) Assignee: **The Goodyear Tire & Rubber Company**, Akron, OH (US)
- (**) Term: **14 Years**
- (21) Appl. No.: **29/322,731**
- (22) Filed: **Aug. 11, 2008**
- (51) **LOC (9) Cl.** **12-15**
- (52) **U.S. Cl.** **D12/579**
- (58) **Field of Classification Search** D12/503, D12/505, 533, 534, 535, 536, 537, 543, 547, D12/548, 549, 550, 564, 565, 566, 567, 568, D12/569-572, 579, 583-588, 594, 595, 596, D12/597, 598, 599, 600-604; 152/209.1, 152/209.8, 209.9, 209.18, 209.25, 209.28
See application file for complete search history.

D571,713 S * 6/2008 Rodicq et al. D12/579
 D577,658 S * 9/2008 Murata D12/550
 D580,347 S * 11/2008 Lo D12/579

* cited by examiner

Primary Examiner—Caron Veynar
Assistant Examiner—Katrina A Kile

(74) *Attorney, Agent, or Firm*—Richard B. O’Planick

(57) **CLAIM**

The ornamental design for a tire, as shown and described.

DESCRIPTION

FIG. 1 is a perspective view of a tire showing our new design, it being understood that the pattern repeats uniformly throughout the circumference of the tread;

FIG. 2 is a front elevational view thereof;

FIG. 3 is a right side elevational view thereof; the opposite side elevational view being identical thereto;

FIG. 4 is an enlarged fragmentary front elevational view thereof;

FIG. 5 is a perspective view of a second embodiment of a tire showing our new design, it being understood that the pattern repeats uniformly throughout the circumference of the tread and that the opposite side perspective view is identical thereto; and,

FIG. 6 is a front elevational view of a second embodiment, it being understood that an enlarged fragmentary view thereof would be substantially identical to that shown in FIG. 4, with the exception of the inclusion of the sidewall in solid lines.

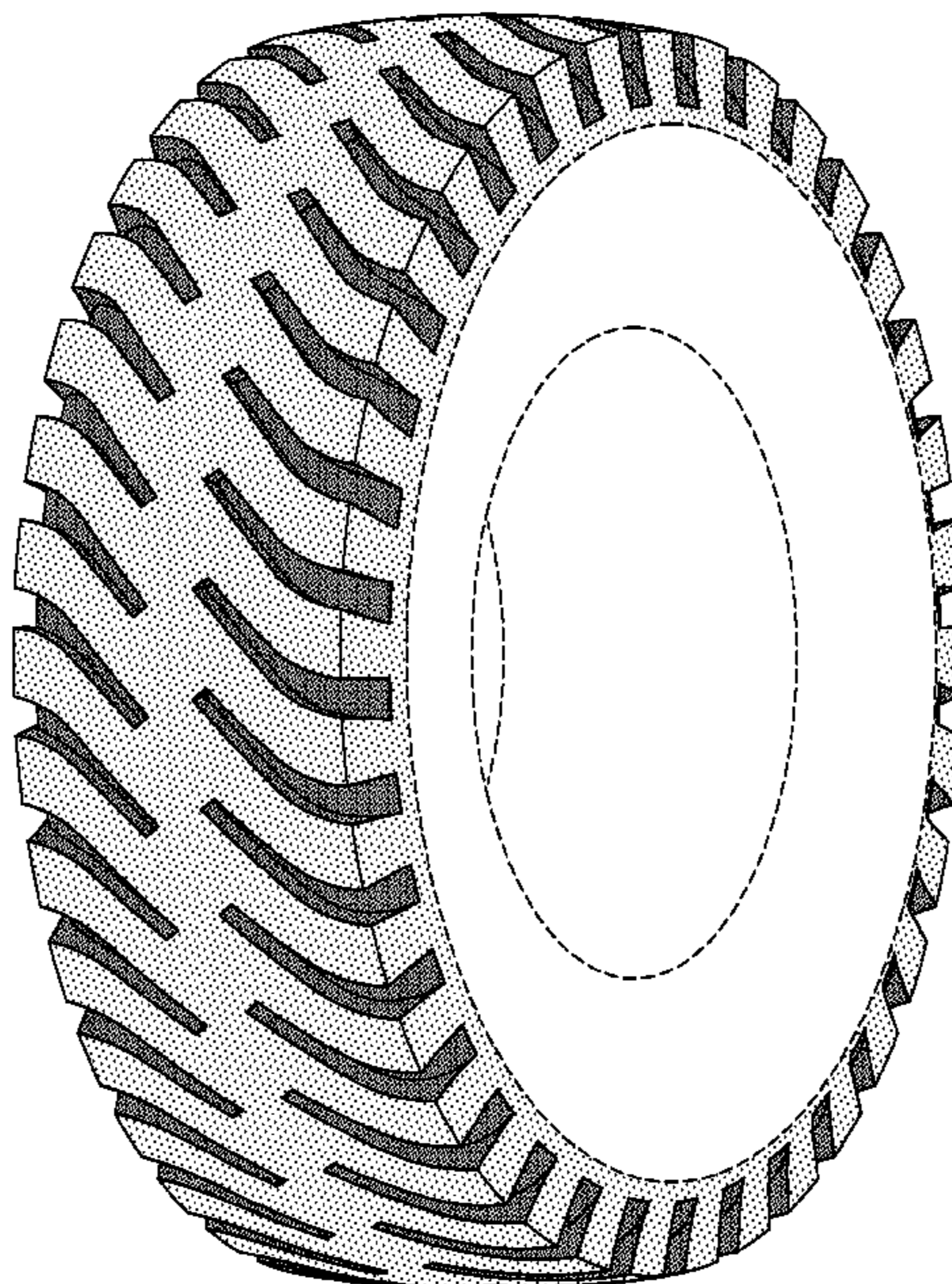
In the drawings the broken lines defining the sidewall, inner bead and the peripheral boundary between the tire tread and the sidewall in FIGS. 1 through 4 are for illustrative purposes only and form no part of the claimed design.

(56) **References Cited**

U.S. PATENT DOCUMENTS

D400,479 S	11/1998	Baus	D12/147
D412,302 S	7/1999	Rayman et al.	D12/146
D444,107 S	6/2001	Rayman	D12/147
D457,487 S	5/2002	Rayman	D12/579
D457,489 S	5/2002	Rayman	D12/579
D457,854 S	5/2002	Rayman	D12/579
D458,585 S	6/2002	Rayman	D12/602
D458,895 S	6/2002	Rayman	D12/579
D481,668 S	11/2003	Hanna	D12/579
D498,729 S	11/2004	Neubauer et al.	D12/579
D565,500 S	* 4/2008	Whitney et al.	D12/535

1 Claim, 6 Drawing Sheets



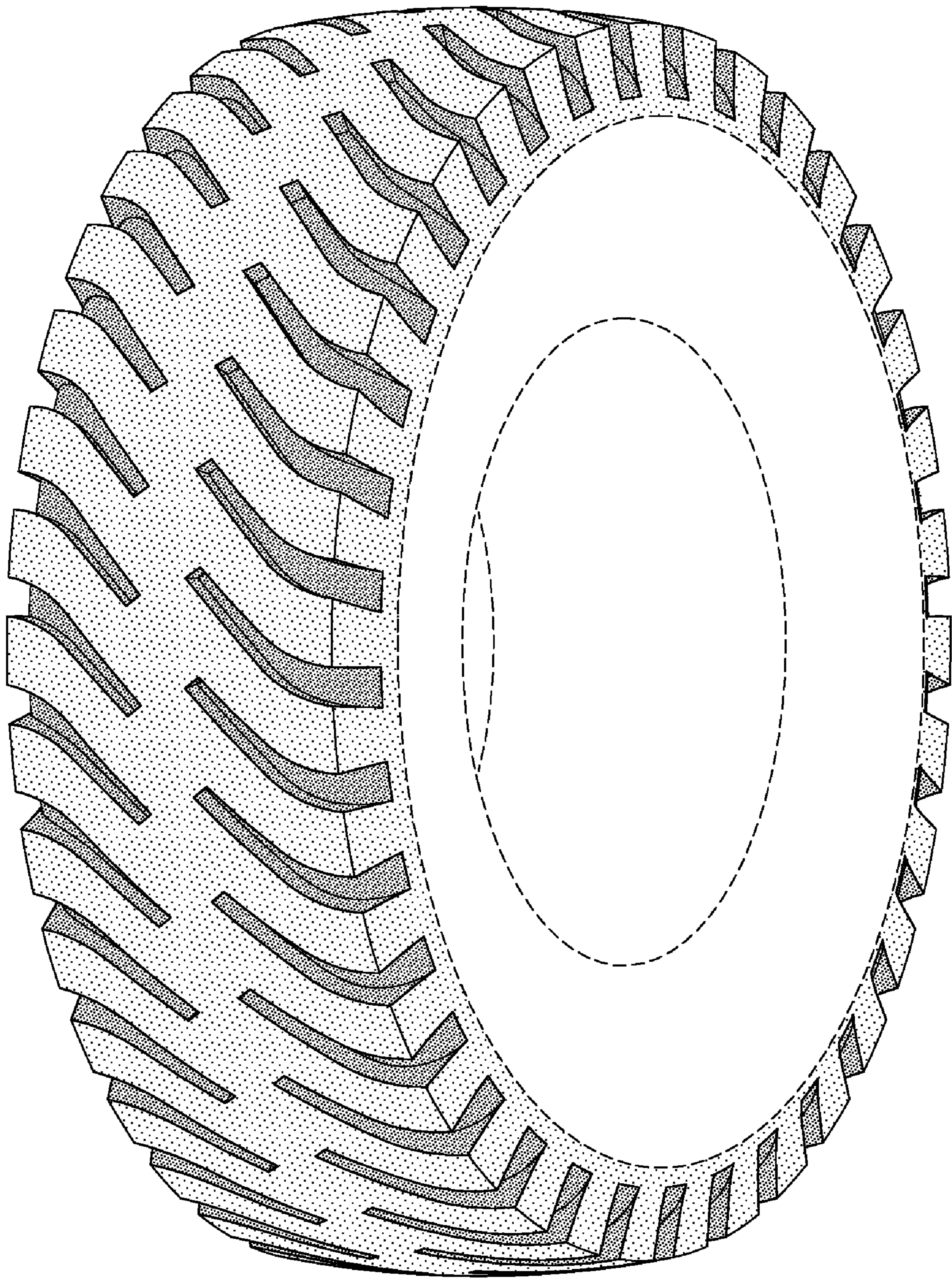


FIG-1

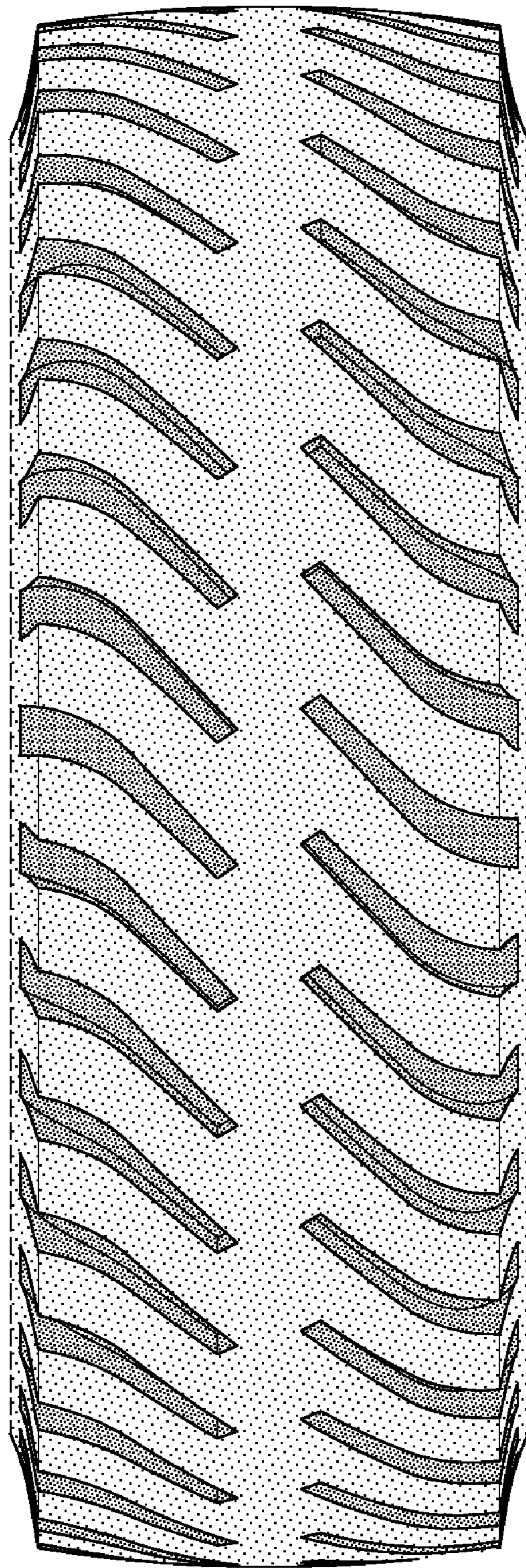


FIG-2

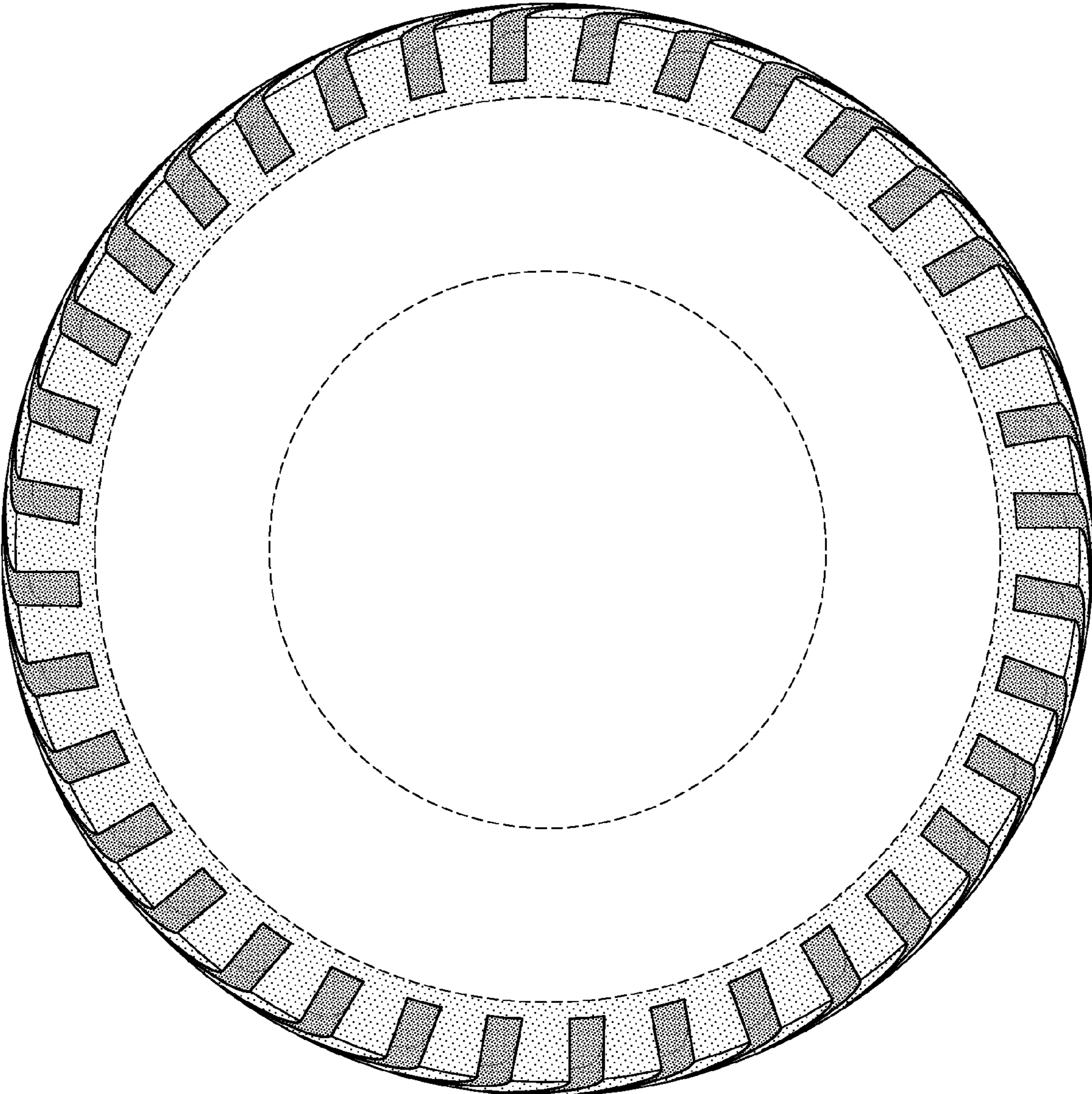


FIG-3

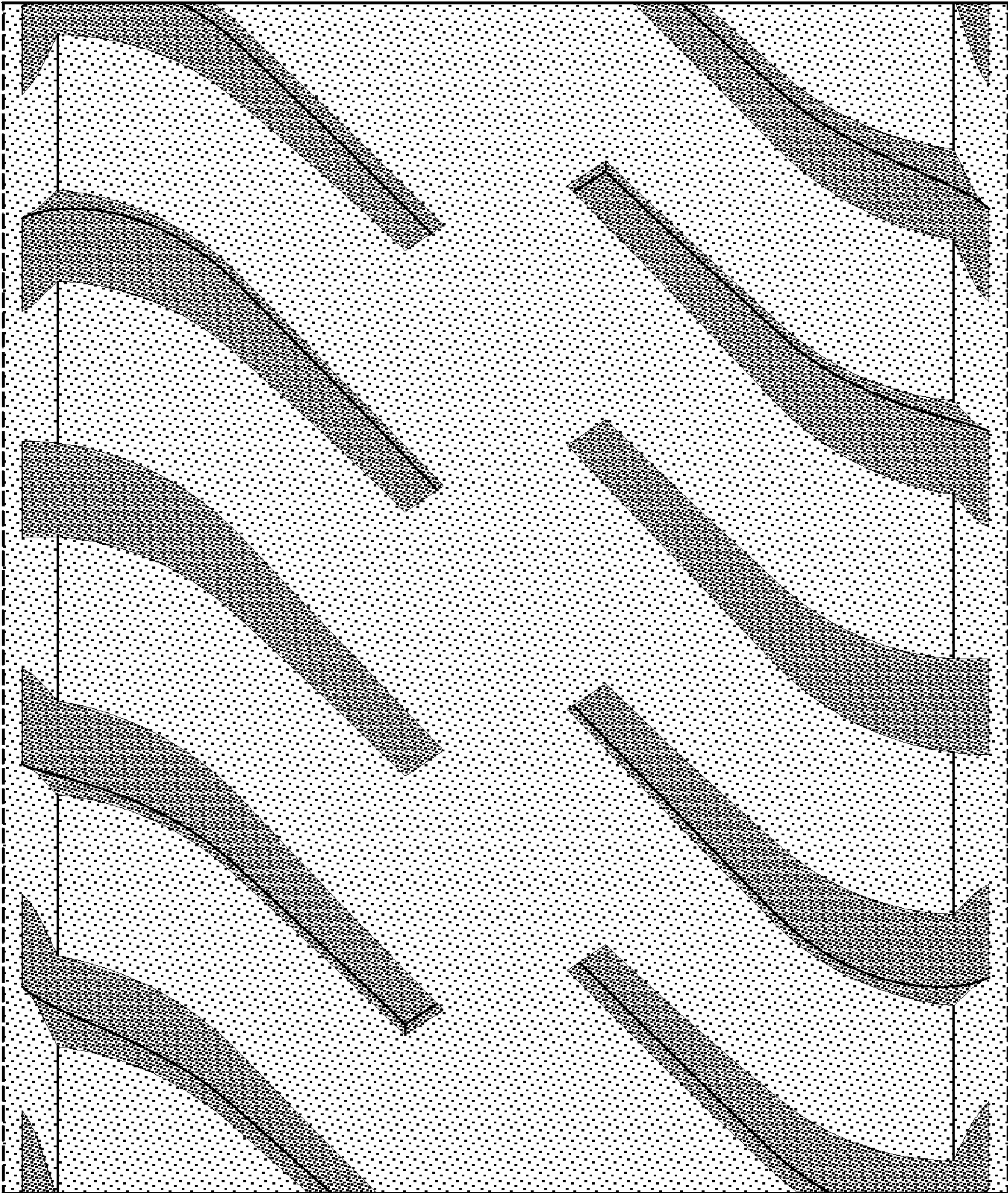


FIG-4

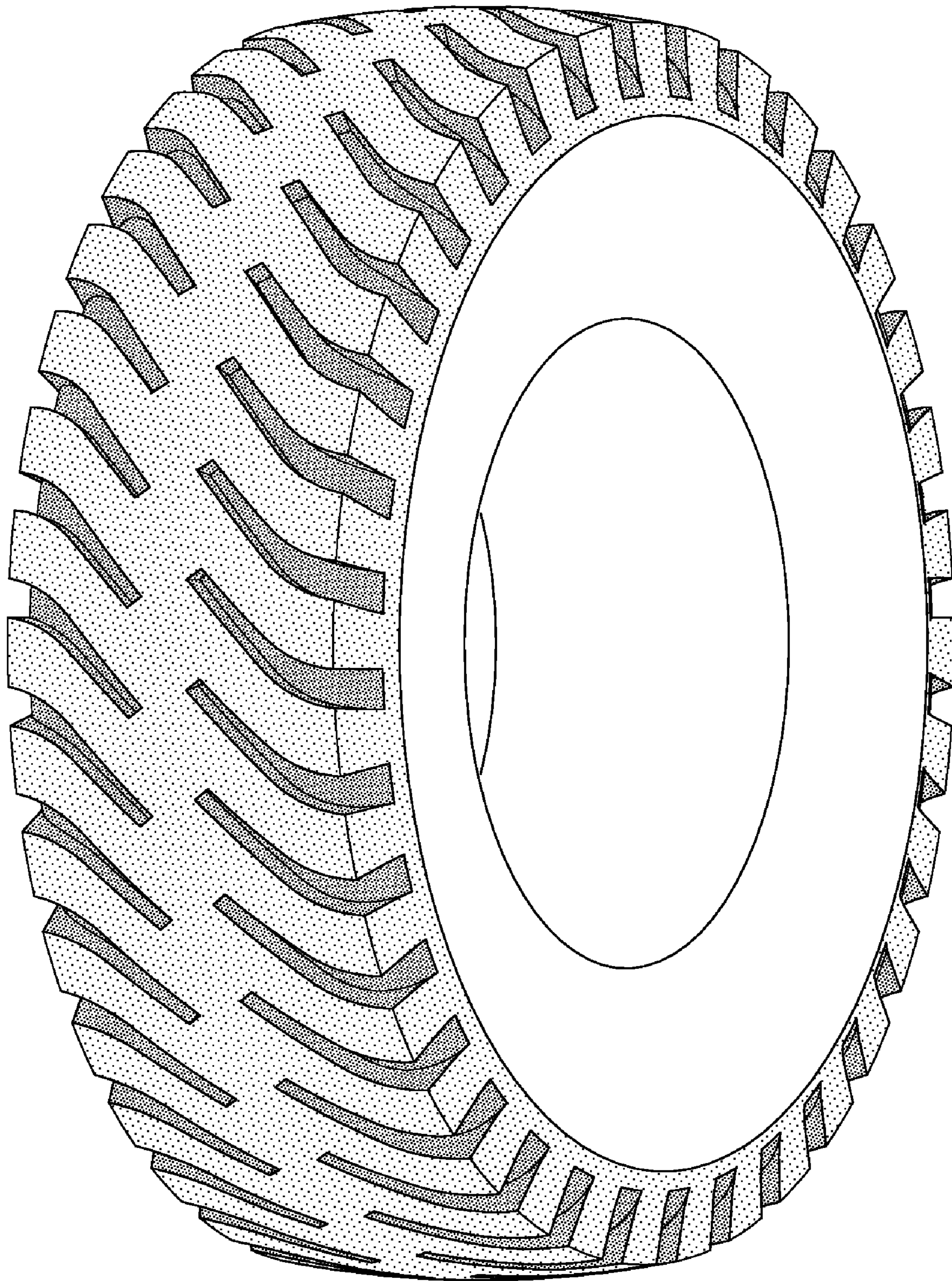


FIG-5

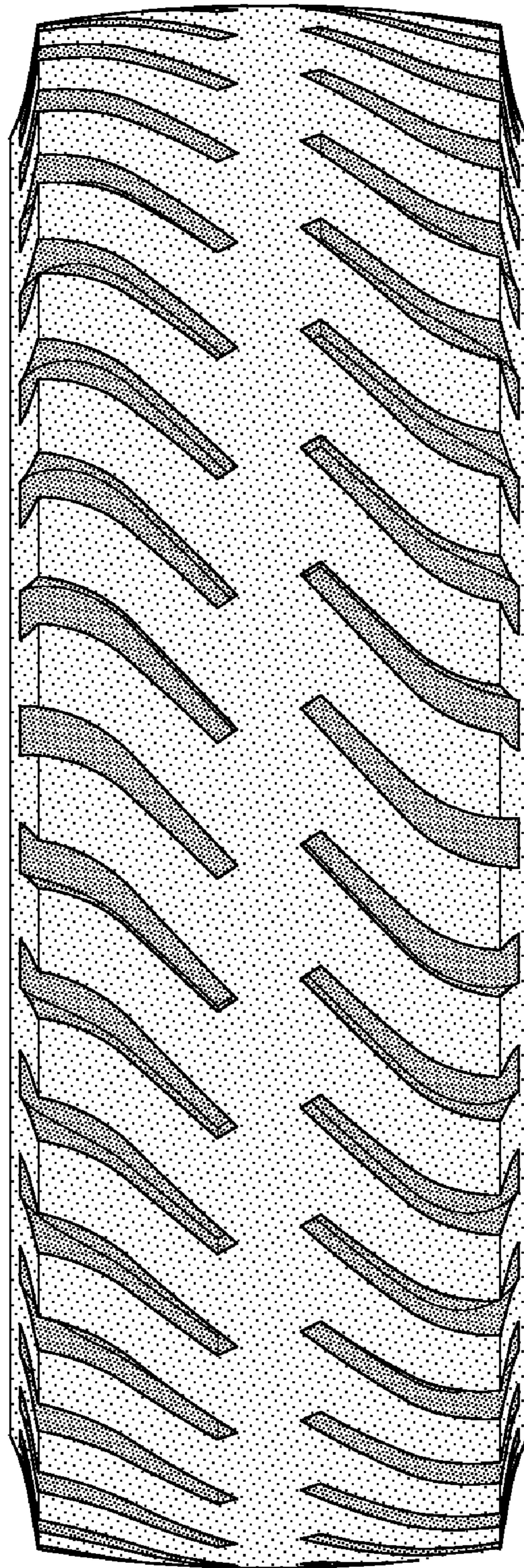


FIG-6