



US00D613668S

(12) **United States Design Patent**  
**Guering**

(10) **Patent No.:** **US D613,668 S**

(45) **Date of Patent:** **\*\* Apr. 13, 2010**

(54) **COMBINATION CONTROL STICK/ARMREST FOR AN AIRCRAFT**

D508,964 S \* 8/2005 Gollither ..... D21/566  
7,109,994 B2 \* 9/2006 Bollo et al. .... 345/473

(75) Inventor: **Bernard Guering**, Montrabe (FR)

(73) Assignee: **Airbus Operations S.A.S.**, Toulouse Cedex (FR)

(\*\*) Term: **14 Years**

(21) Appl. No.: **29/275,955**

(22) Filed: **Jan. 10, 2007**

(30) **Foreign Application Priority Data**

Jul. 13, 2006 (EM) ..... 000572318

(51) **LOC (9) Cl.** ..... **12-07**

(52) **U.S. Cl.** ..... **D12/345**

(58) **Field of Classification Search** ..... D12/424,  
D12/425, 415, 345, 192, 319, 400, 421; D14/405,  
D14/412, 415, 416, 413, 414; D21/477,  
D21/566; 345/161; 434/14, 28, 30, 31, 35,  
434/45; 463/38; 446/7, 59, 232, 230  
See application file for complete search history.

(56) **References Cited**

**U.S. PATENT DOCUMENTS**

D374,218 S \* 10/1996 Sanchez et al. .... D14/412  
D409,182 S \* 5/1999 Tyler ..... D14/413  
6,005,551 A \* 12/1999 Osborne et al. .... 345/161  
D441,366 S \* 5/2001 Alviar et al. .... D14/412

**OTHER PUBLICATIONS**

U.S. Appl. No. 29/275,953; Title: Control Stick for an Aircraft, filed Jan. 10, 2007.

\* cited by examiner

*Primary Examiner*—Cathron C Brooks

*Assistant Examiner*—Kevin K Rudzinski

(74) *Attorney, Agent, or Firm*—Osler, Hoskin & Harcourt LLP

(57) **CLAIM**

The ornamental design for a combination control stick/armrest for an aircraft, as shown and described.

**DESCRIPTION**

FIG. 1 is a rear, left perspective view of a combination control stick/armrest for an aircraft according to my design;

FIG. 2 is a rear elevation view thereof;

FIG. 3 is a left side elevation view thereof;

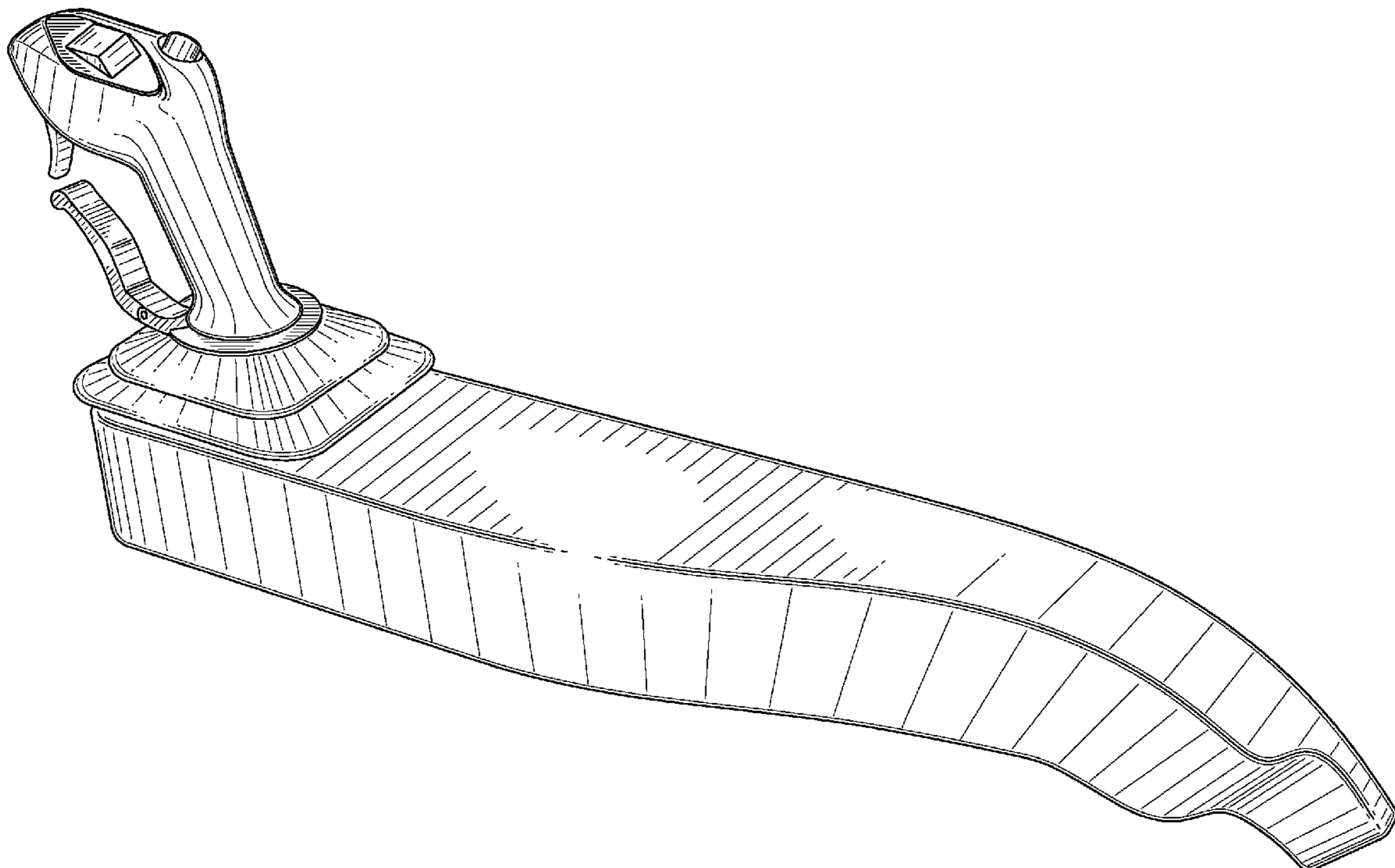
FIG. 4 is a right side elevation view thereof;

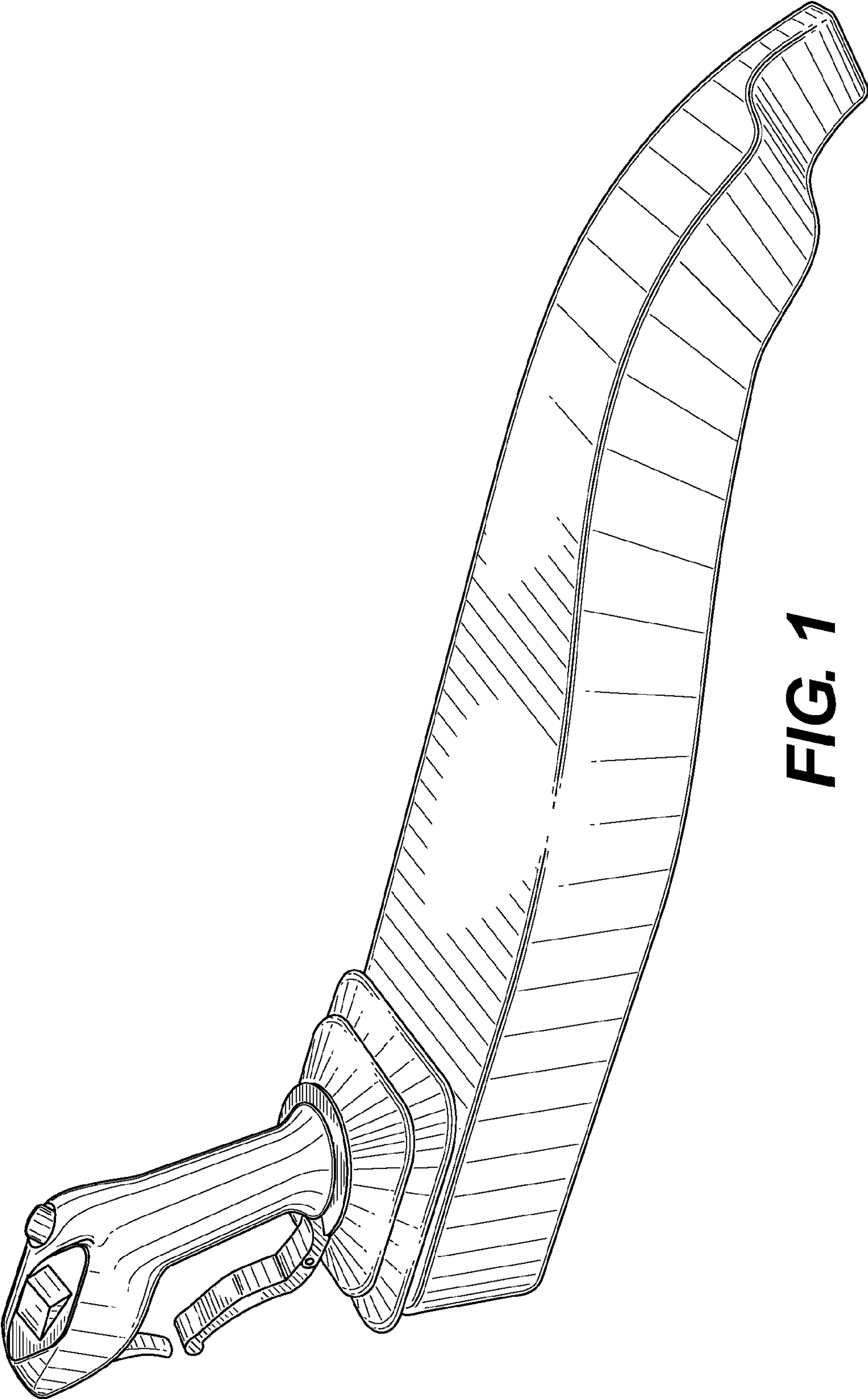
FIG. 5 is a front elevation view thereof; and,

FIG. 6 is a top plan view thereof.

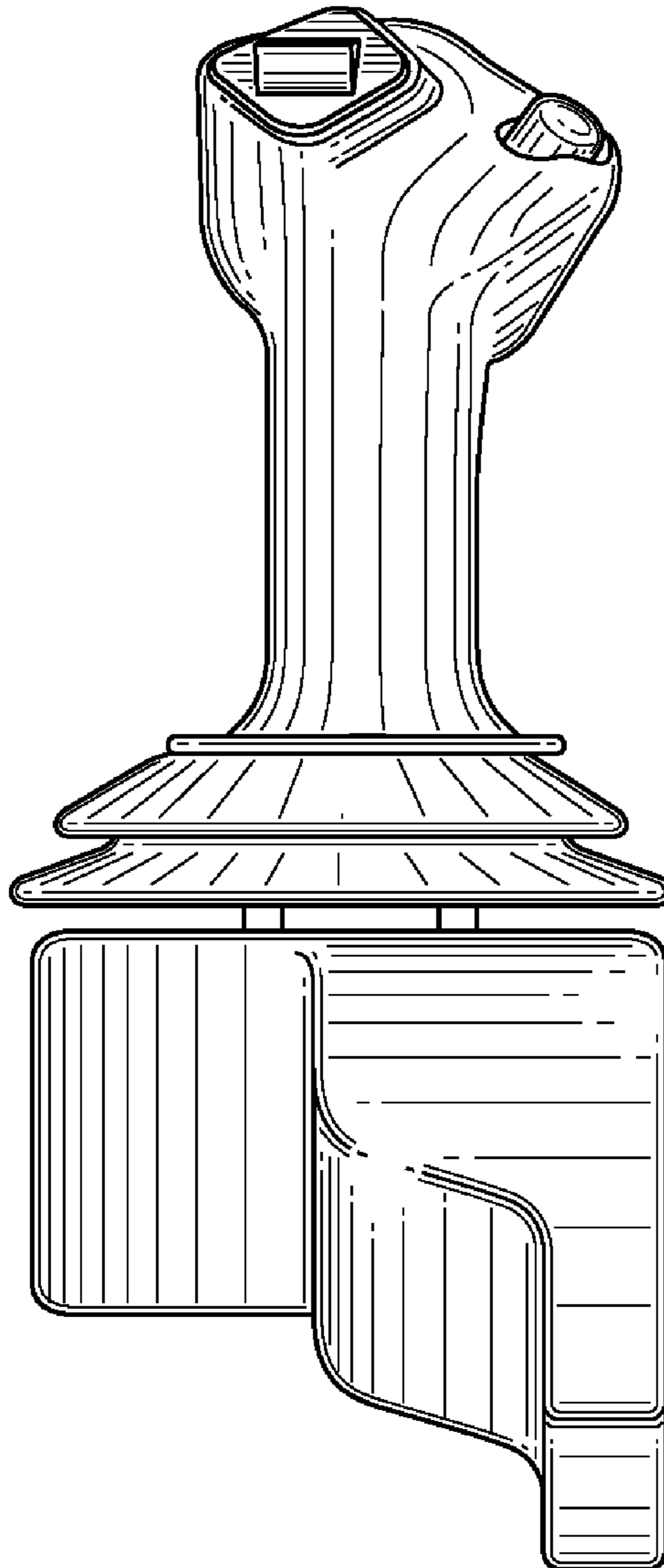
No bottom plan view is included as no features of the claimed design are visible therein.

**1 Claim, 6 Drawing Sheets**

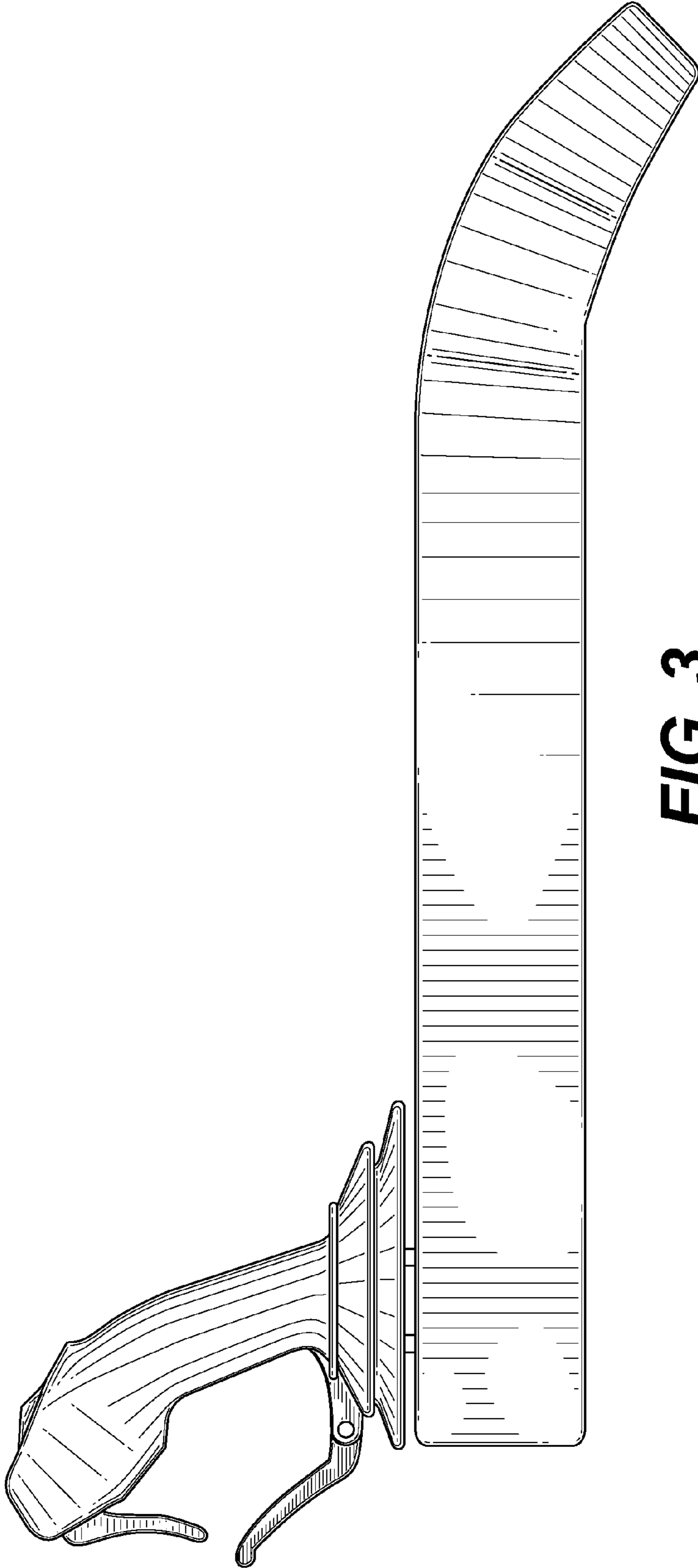




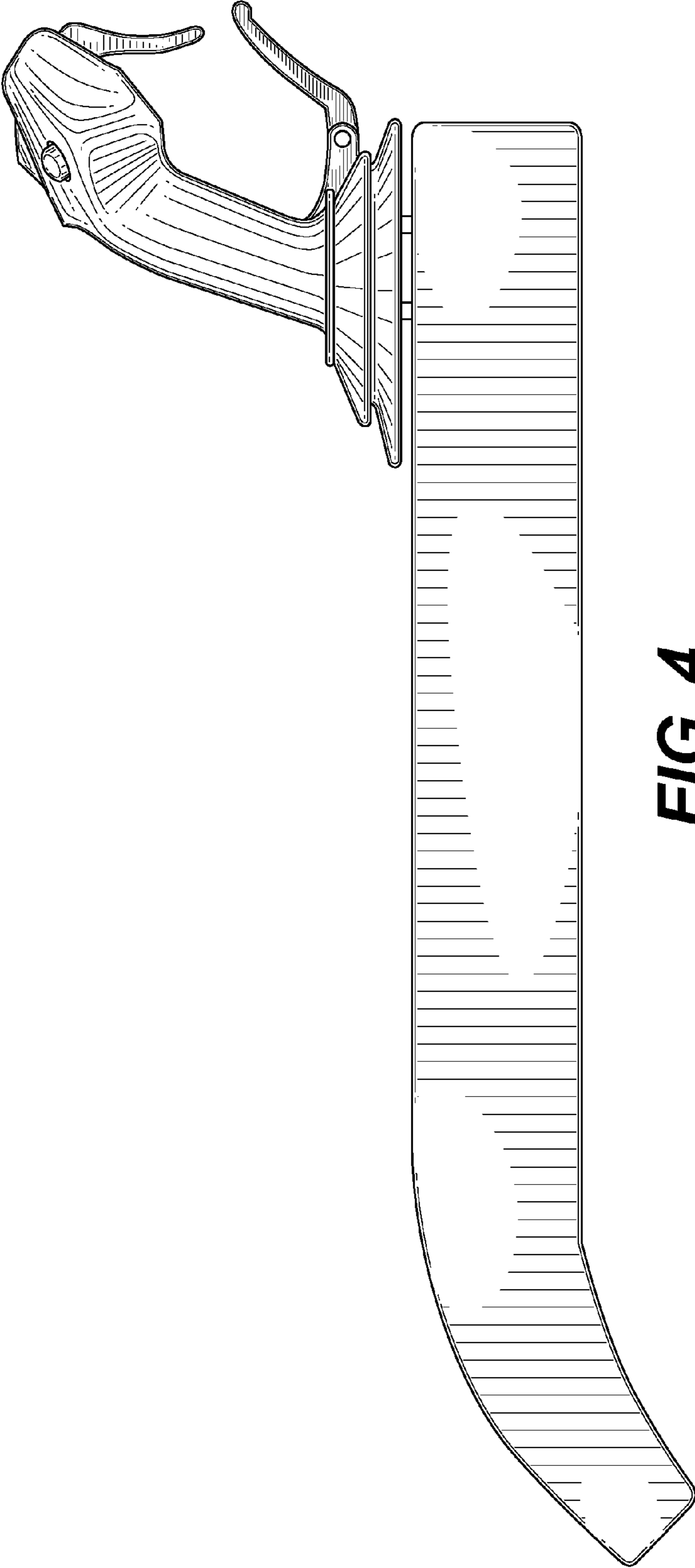
**FIG. 1**



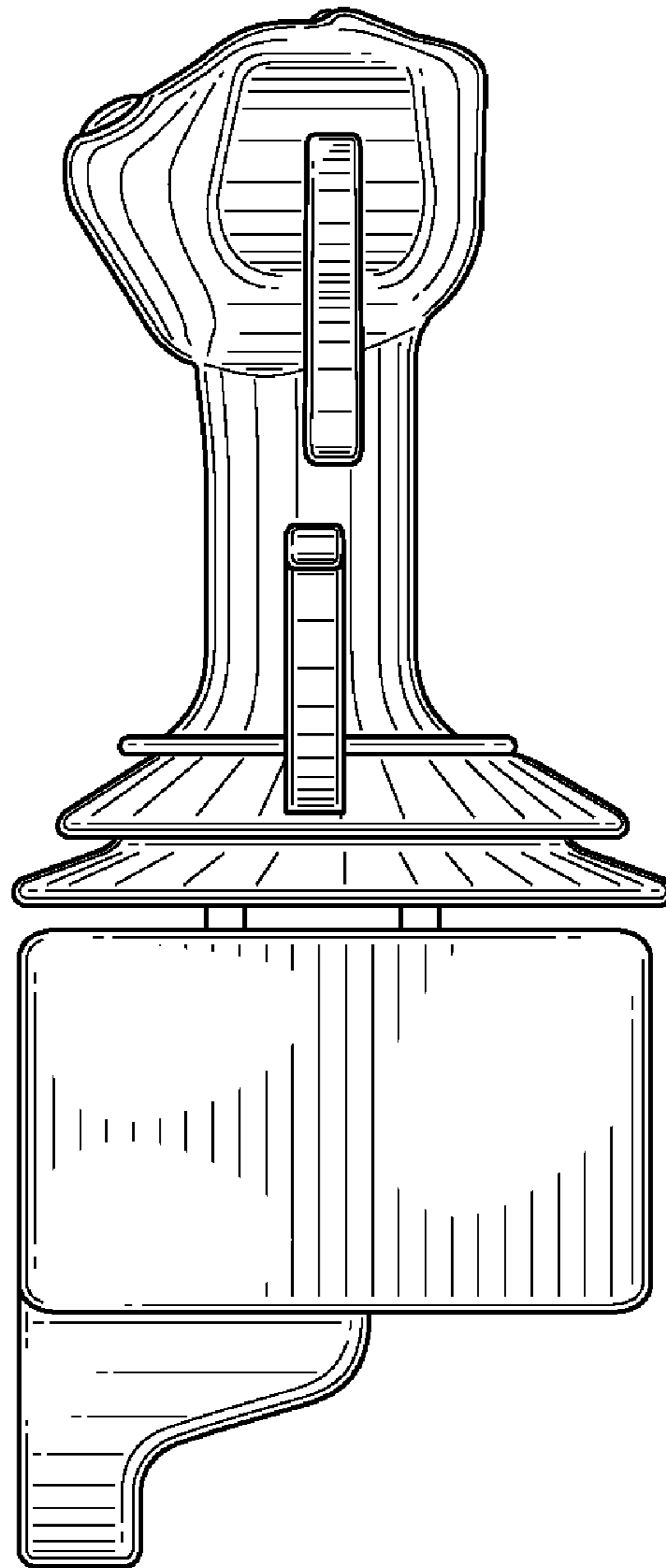
**FIG. 2**



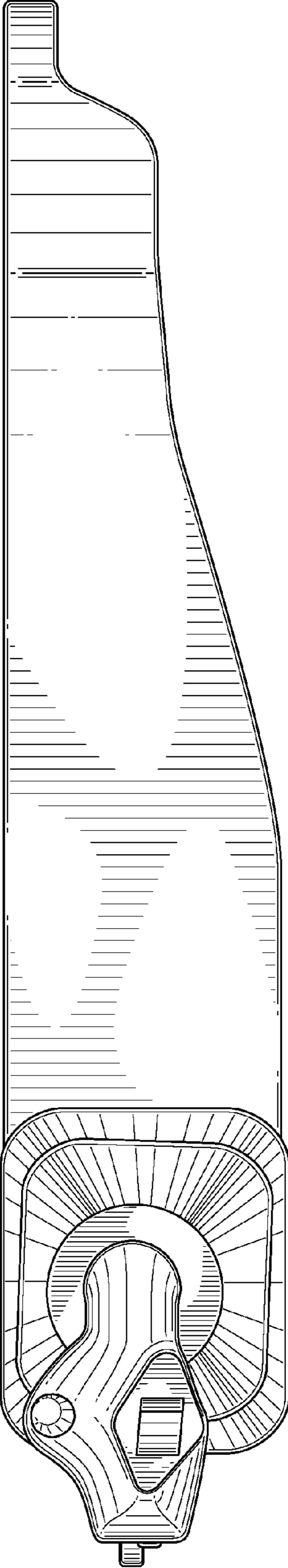
**FIG. 3**



**FIG. 4**



**FIG. 5**



**FIG. 6**