



US00D613665S

(12) **United States Design Patent**
Kim

(10) **Patent No.:** **US D613,665 S**
(45) **Date of Patent:** **** Apr. 13, 2010**

(54) **WIPER RUBBER**

D565,493 S 4/2008 Kim

(75) Inventor: **In-Kyu Kim**, Ansan-si (KR)

(Continued)

(73) Assignee: **ADM 21 Co., Ltd.**, Ansan-si,
Gyeonggi-do (KR)

FOREIGN PATENT DOCUMENTS

CA 115235 10/2007

(**) Term: **14 Years**

(Continued)

(21) Appl. No.: **29/340,778**

OTHER PUBLICATIONS

U.S. Appl. No. 29/324,254, filed Sep. 9, 2008.

(22) Filed: **Jul. 24, 2009**

(Continued)

(30) **Foreign Application Priority Data**

Primary Examiner—Caron Veynar
Assistant Examiner—Katrina A Kile

May 12, 2009 (KR) 30-2009-0020230

(51) **LOC (9) Cl.** **12-06**

(52) **U.S. Cl.** **D12/220**

(58) **Field of Classification Search** D12/219–220;
15/246, 247, 250.001, 250.4, 250.361, 250.19,
15/250.48, 250.03, 250.31–250.33, 250.351,
15/250.38, 250.201, 250.451, 250.458, 250.04,
15/250.07, 250.44

See application file for complete search history.

(57) **CLAIM**

The ornamental design for a wiper rubber, as shown and described.

DESCRIPTION

FIG. 1 is a perspective view of a wiper rubber showing my new design;

FIG. 2 is a front view thereof;

FIG. 3 is a rear view thereof;

FIG. 4 is a left side view thereof;

FIG. 5 is a right side view thereof;

FIG. 6 is a top plan view thereof;

FIG. 7 is a bottom plan view thereof;

FIG. 8 is a cross-sectional view thereof along the line 8—8 shown in FIG. 2;

FIG. 9 is a perspective view thereof;

FIG. 10 is a perspective view thereof;

FIG. 11 is a perspective view thereof; and,

FIG. 12 is a perspective view thereof.

The break in the drawing figures show indeterminate length.

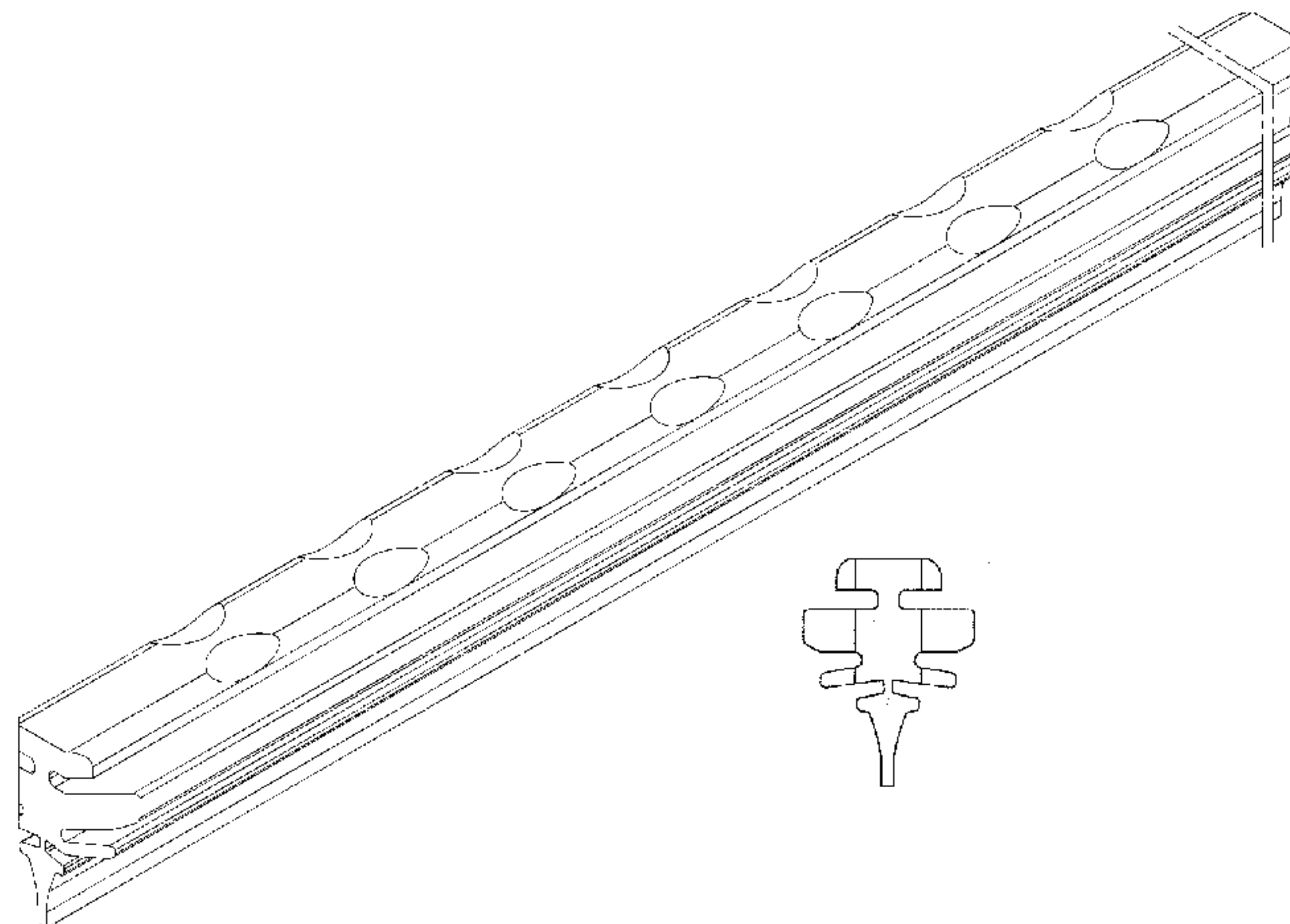
In the drawings, the broken lines in FIG. 12 depict a wiper connector and form no part of the claimed design.

(56) **References Cited**

U.S. PATENT DOCUMENTS

5,509,166	A *	4/1996	Wagner et al.	15/250.44
D370,653	S *	6/1996	Kim	D12/219
D376,575	S *	12/1996	Chen	D12/219
D378,365	S *	3/1997	Fitzgerald et al.	D12/219
D442,537	S	5/2001	Kim		
D443,245	S	6/2001	Kim		
6,539,576	B2	4/2003	Kim		
D487,047	S	2/2004	Kim		
D490,763	S	6/2004	Kim		
6,754,933	B1 *	6/2004	Pettersson	15/250.07
D520,439	S *	5/2006	Lin	D12/220
D537,769	S *	3/2007	Duvall, Jr.	D12/219
D552,025	S	10/2007	Kim		
D555,068	S	11/2007	Kim		
D556,115	S	11/2007	Kim		
D556,116	S	11/2007	Kim		
D556,117	S	11/2007	Kim		
D556,667	S	12/2007	Kim		

1 Claim, 7 Drawing Sheets



US D613,665 S

U.S. PATENT DOCUMENTS

D565,494 S	4/2008	Kim	
D592,581 S	5/2009	Kim	
D593,023 S	5/2009	Kim	
D593,480 S	6/2009	Kim	
D594,805 S	6/2009	Kim	
D594,806 S	6/2009	Kim	
D598,359 S	8/2009	Kim	
D601,077 S	9/2009	Kim	
2002/0069475 A1*	6/2002	Lee	15/250.201
2002/0141814 A1*	10/2002	Westermann et al.	403/213
2004/0010881 A1*	1/2004	Roekens	15/250.201
2007/0266517 A1	11/2007	Kim et al.	

FOREIGN PATENT DOCUMENTS

CA	119152	9/2008	
CA	119153	9/2008	
CA	119154	9/2008	
CA	119155	9/2008	
CA	119156	9/2008	
CA	2583885	10/2008	
CA	121852	12/2008	
CA	123031	1/2009	
CA	123972	1/2009	
CA	123973	1/2009	
CN	200720147092.1	9/2008	
CN	ZL200730339587.X	12/2008	
CN	ZL200730296673.7	4/2009	
CN	ZL200730296674.1	4/2009	
EP	000506050	3/2006	
EP	652664-0001	1/2007	
EP	652664-0002	1/2007	
EP	652664-0003	1/2007	
EP	652664-0004	1/2007	
EP	652664-0005	1/2007	
EP	000720347-0001	5/2007	
EP	000821442-0001	11/2007	
EP	000852454-0001	1/2008	
EP	000852454-0002	1/2008	
EP	000901558-0001	3/2008	
EP	000901558-0002	3/2008	
EP	000948922-0001	6/2008	
EP	000949532-0001	6/2008	
EP	000971940-0001	7/2008	
EP	000971940-0002	7/2008	
EP	000971940-0003	7/2008	
EP	000971940-0004	7/2008	
EP	000986021-0001	8/2008	
EP	000986021-0002	8/2008	
EP	000986021-0003	8/2008	
IN	216594	3/2009	
JP	3134473	7/2007	
JP	1311410	8/2007	
JP	1311411	8/2007	
JP	1311412	8/2007	
JP	1311413	8/2007	
JP	1311414	8/2007	
JP	1342112	9/2008	
JP	1342127	9/2008	
JP	1344588	10/2008	
JP	1348074	12/2008	
JP	1348482	12/2008	
JP	1365622	6/2009	
JP	1365891	6/2009	
JP	1365892	6/2009	
JP	1365893	6/2009	
KR	0087335	5/1995	
KR	0087575	5/1995	
KR	0100121	10/1996	
KR	0187952	10/1996	
KR	0111262	10/1997	

KR	0206429	10/1997	
KR	0213320	1/1998	
KR	0224182	7/1998	
KR	0239487	3/1999	
KR	0150052	4/1999	
KR	0206157	4/1999	
KR	1241914	5/1999	
KR	0170832	12/1999	
KR	0194057	6/2000	
KR	0195679	6/2000	
KR	0215829	12/2000	
KR	0275947	3/2001	
KR	0290118	1/2002	
KR	0322394	7/2003	
KR	0322396	7/2003	
KR	0324236	7/2003	
KR	0324326-1	7/2003	
KR	0381260	5/2005	
KR	0381260-1	6/2005	
KR	0405126	12/2005	
KR	0405127	12/2005	
KR	0558668	3/2006	
KR	0419901	6/2006	
KR	0599009	7/2006	
KR	0599010	7/2006	
KR	0424903	9/2006	
KR	0424905	9/2006	
KR	0424906	9/2006	
KR	0424907	9/2006	
KR	0424908	9/2006	
KR	0429328	10/2006	
KR	0441428	2/2007	
KR	0441429	2/2007	
KR	0694517	3/2007	
KR	0450068	5/2007	
KR	0450069	5/2007	
KR	0450070	5/2007	
KR	0450071	5/2007	
KR	0450072	5/2007	
KR	0450073	5/2007	
KR	0450074	5/2007	
KR	0450075	5/2007	
KR	0453821	6/2007	
KR	0453822	6/2007	
KR	0453823	6/2007	
KR	0453824	6/2007	
KR	0453825	6/2007	
KR	0732736	6/2007	
KR	0733623	6/2007	
KR	0457000	7/2007	
KR	0457001	7/2007	
KR	753248	8/2007	
KR	0450074-1	9/2007	
KR	0450075-1	9/2007	
KR	0764467	9/2007	
KR	0764468	9/2007	
KR	0764469	9/2007	
KR	0437875	12/2007	
KR	0479163	1/2008	
KR	0438835	2/2008	
KR	0438836	2/2008	
KR	0807333	2/2008	
KR	0807334	2/2008	
KR	0810758	2/2008	
KR	699187	3/2008	
KR	0813644	3/2008	
KR	0813645	3/2008	
KR	0439376	4/2008	
KR	0820137	4/2008	
KR	0491932	5/2008	
KR	0813643	6/2008	
KR	0441290	7/2008	

US D613,665 S

Page 3

KR	0512770	8/2008
KR	0512771	8/2008
KR	0442554	11/2008
KR	0512943	11/2008
KR	0512944	11/2008
KR	0512945	11/2008
KR	0869225	11/2008
KR	0514693	12/2008
KR	0514694	12/2008
KR	0514695	12/2008
KR	0290119	1/2009
KR	0520659	2/2009
KR	0520659-1	2/2009
KR	0523327	3/2009

KR	0524428	3/2009
KR	0889958	3/2009
KR	0889959	3/2009
KR	0890893	3/2009

OTHER PUBLICATIONS

U.S. Appl. No. 29/324,290, filed Sep. 10, 2008.
U.S. Appl. No. 29/340,773, filed Jul. 24, 2009.
U.S. Appl. No. 29/340,778, filed Jul. 24, 2009.
U.S. Appl. No. 29/340,782, filed Jul. 24, 2009.
U.S. Appl. No. 29/340,783, filed Jul. 24, 2009.
U.S. Appl. No. 29/340,784, filed Jul. 24, 2009.

* cited by examiner

FIG. 1

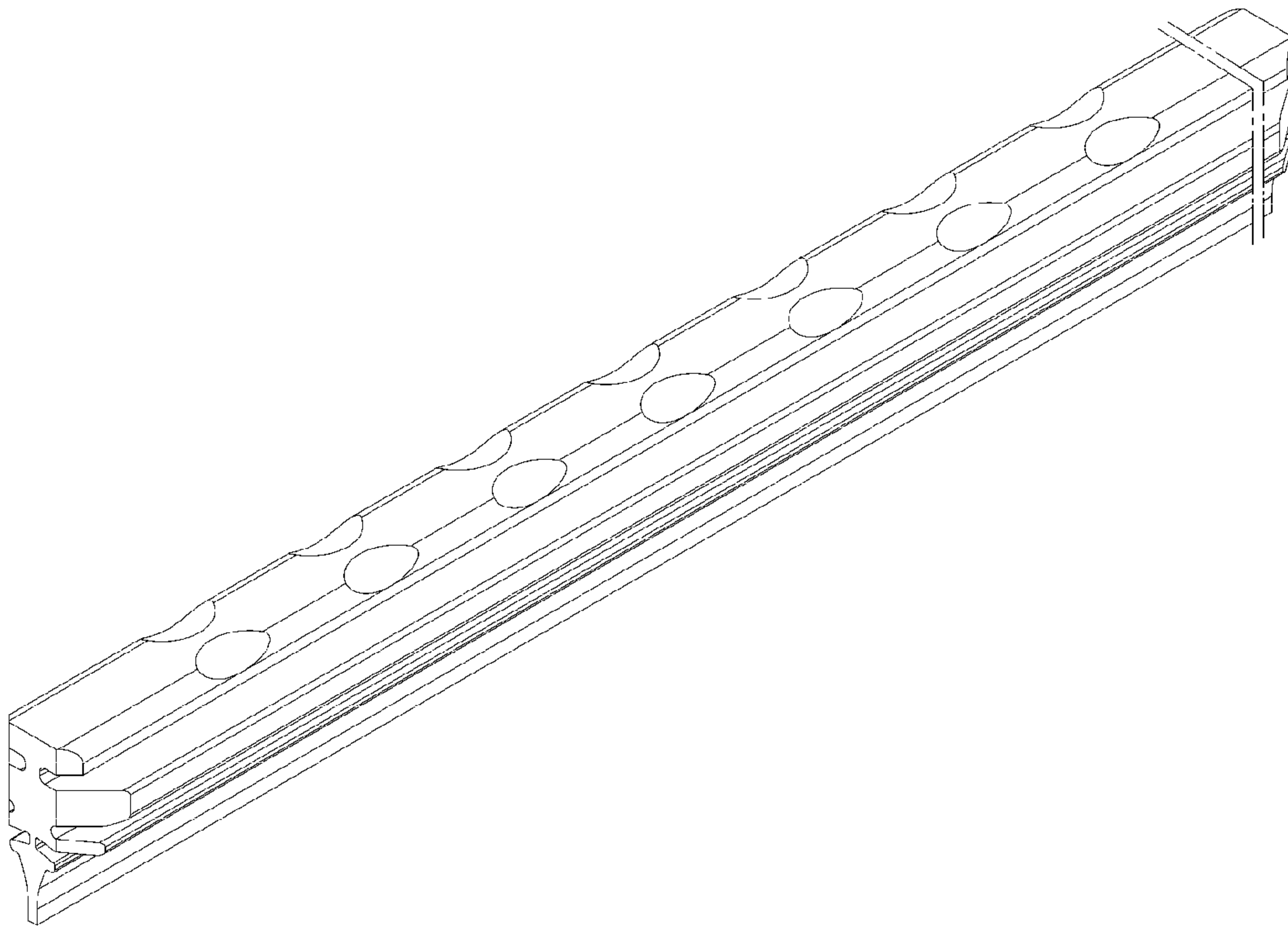


FIG. 2

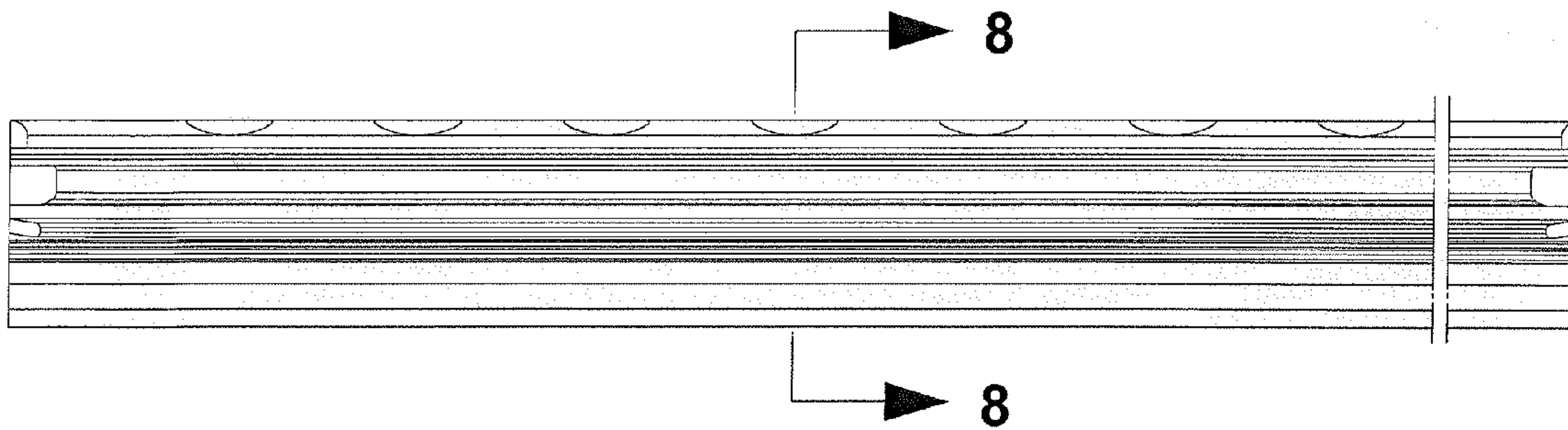


FIG. 3

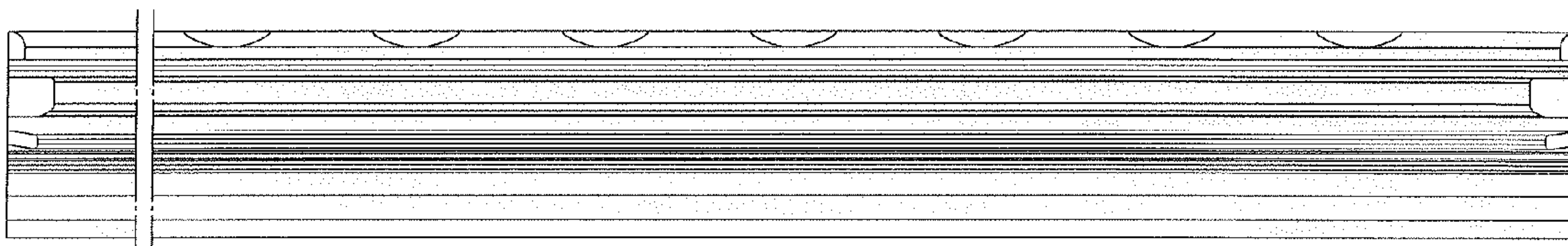


FIG. 4

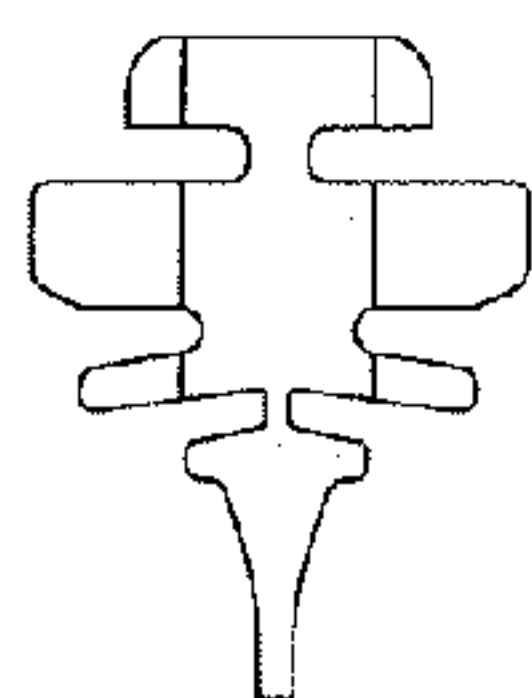


FIG. 5

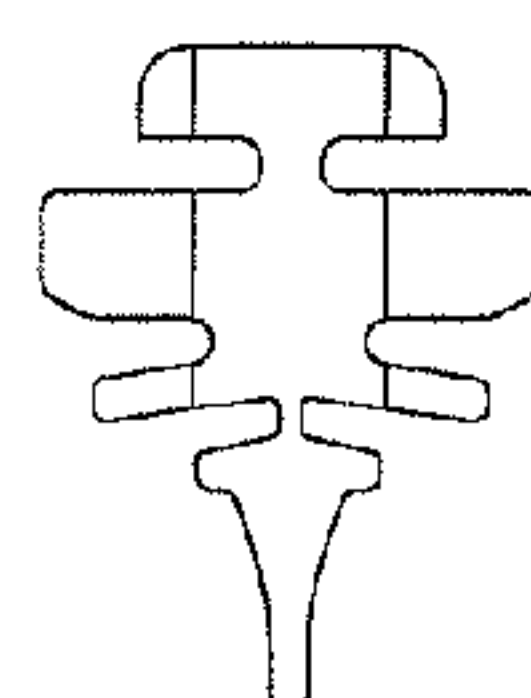


FIG. 6

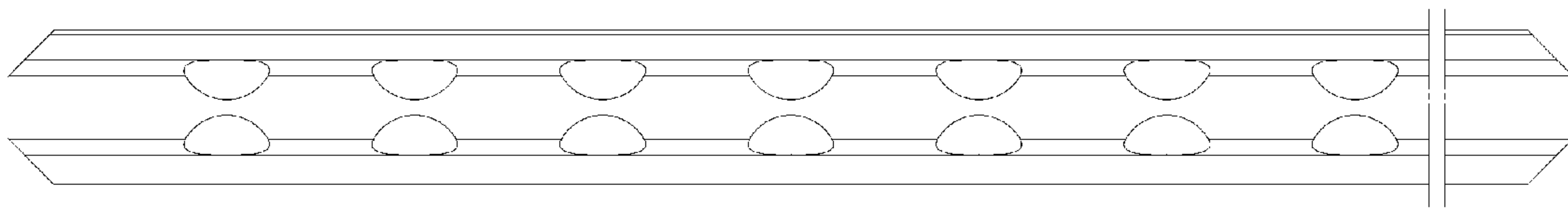


FIG. 7



FIG. 8

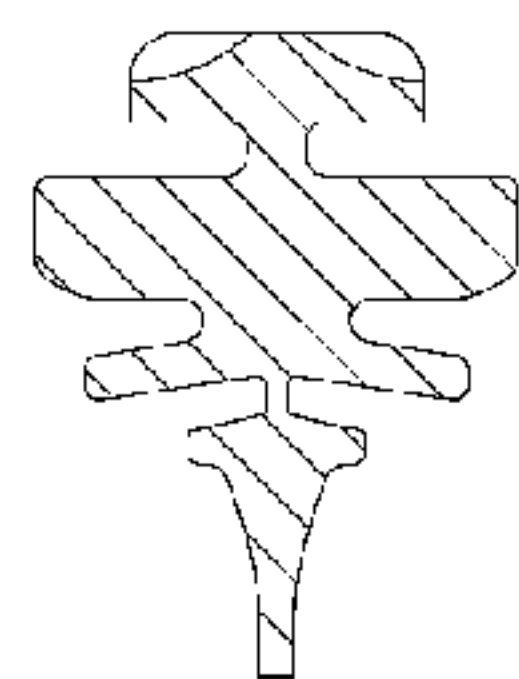


FIG. 9

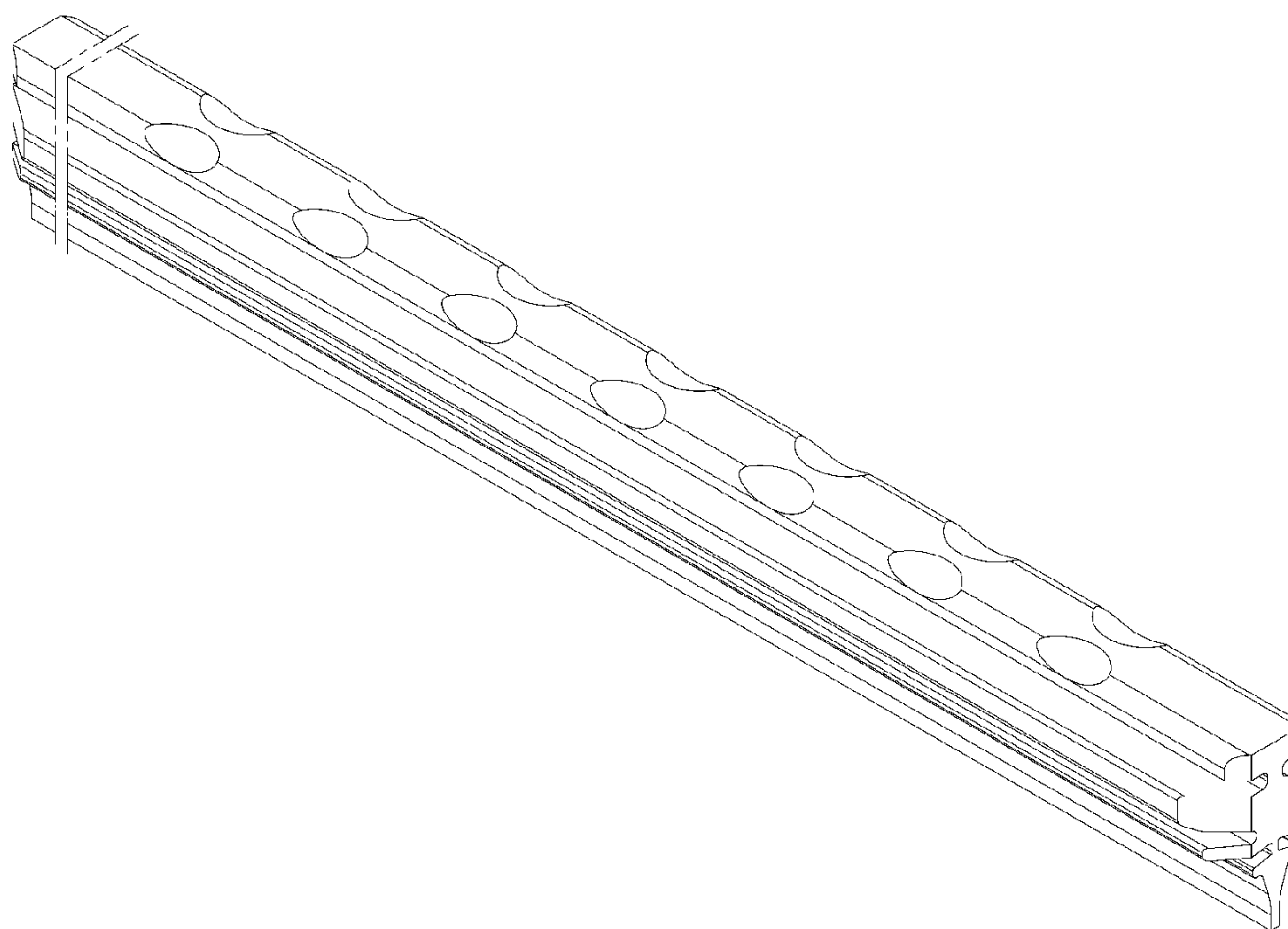


FIG. 10

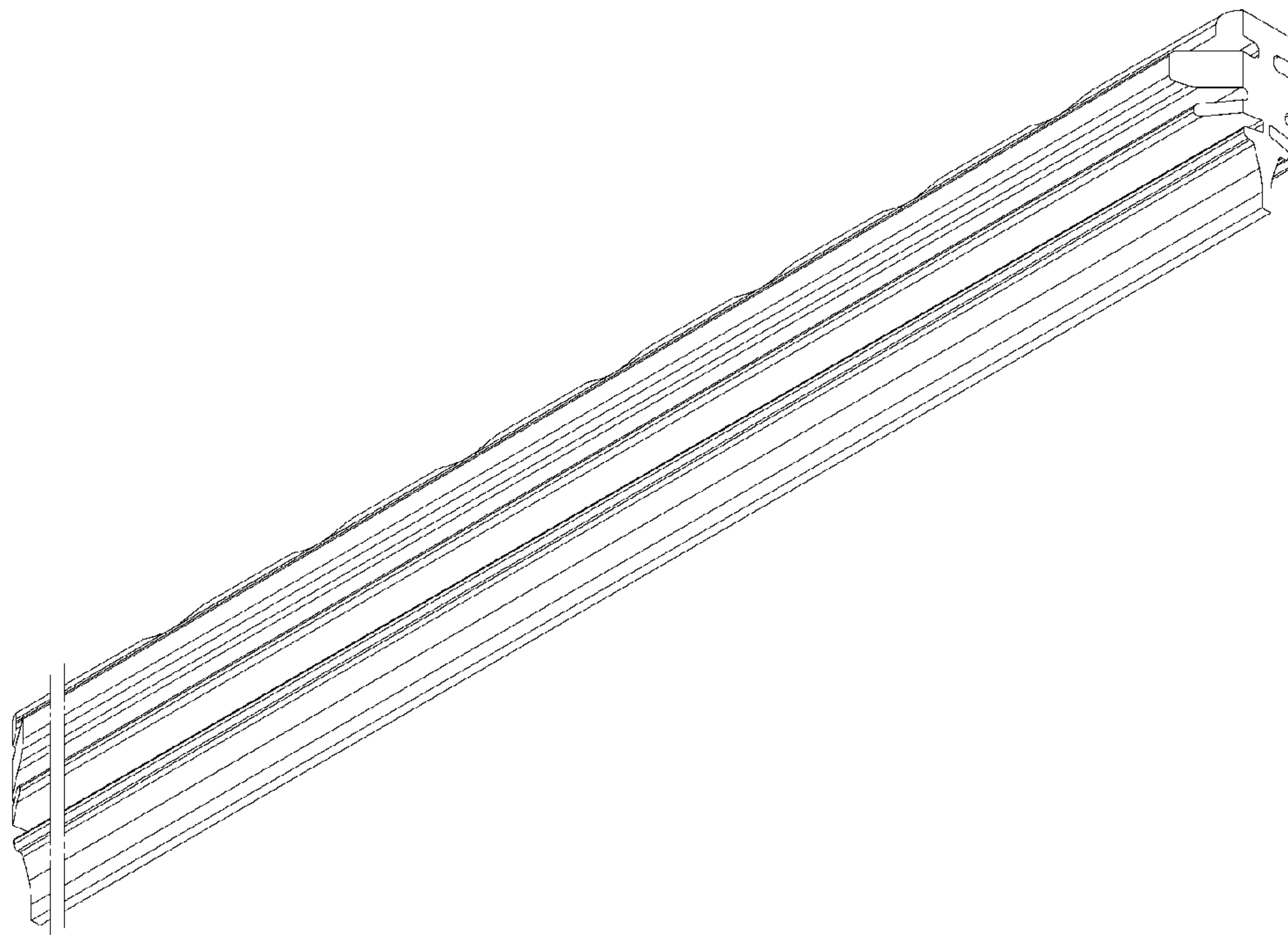


FIG. 11

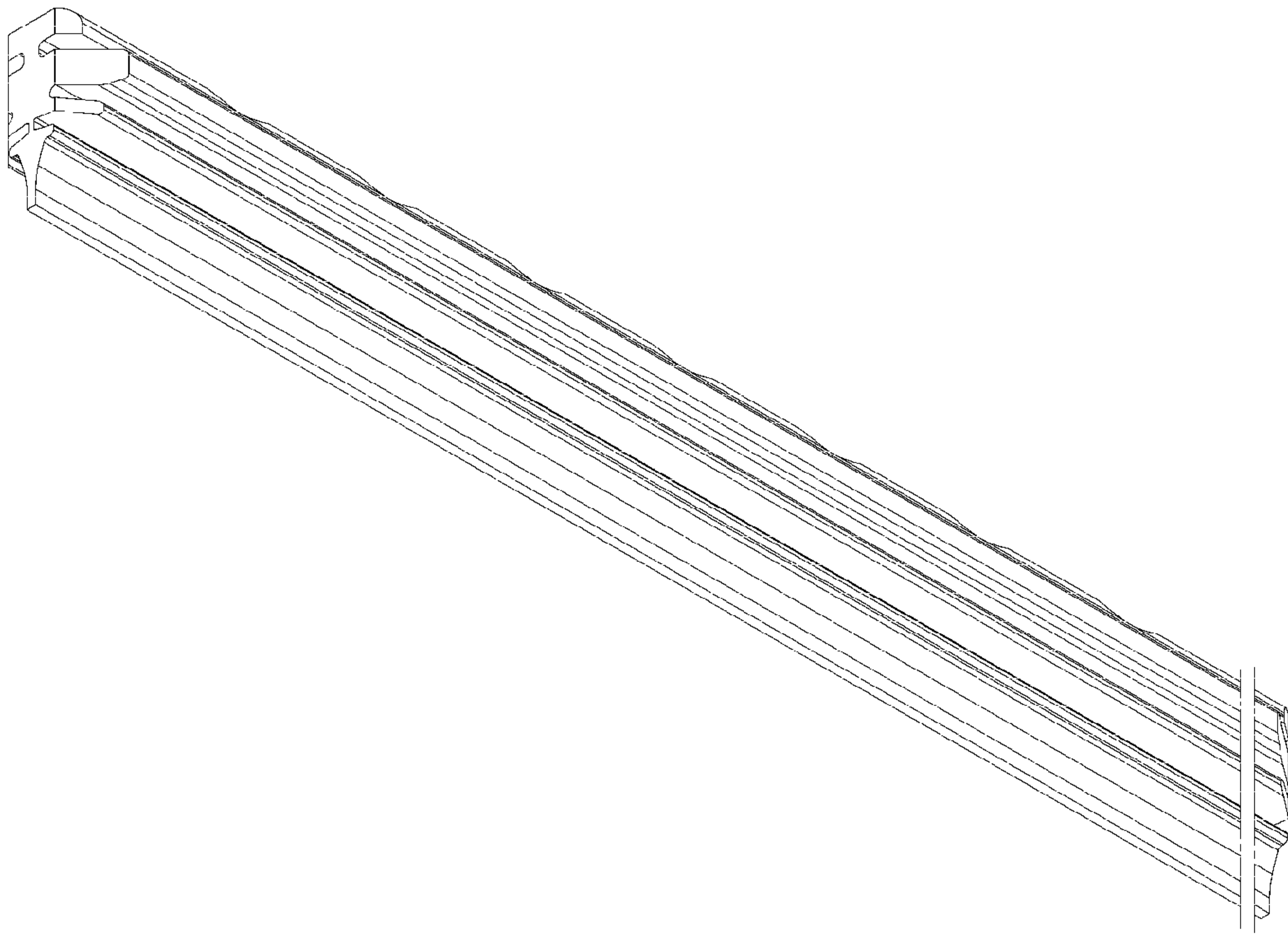


FIG. 12

