



US00D613663S

(12) **United States Design Patent**  
**Huang**

(10) **Patent No.:** **US D613,663 S**  
(45) **Date of Patent:** **\*\* Apr. 13, 2010**

(54) **SUPPORT SHEATH OF WIPER BLADE**

(76) Inventor: **Shih-Hsien Huang**, 7F. -2, No. 37,  
Jhengsin St., Zuoying District,  
Kaohsiung City 813 (TW)

(\*\*) Term: **14 Years**

(21) Appl. No.: **29/311,522**

(22) Filed: **Apr. 10, 2009**

(51) **LOC (9) Cl.** ..... **12-06**

(52) **U.S. Cl.** ..... **D12/220**

(58) **Field of Classification Search** ..... D12/219–220;  
15/246, 247, 250.001, 250.4, 250.361, 250.19,  
15/250.48, 250.03, 250.31–250.33, 250.351,  
15/250.38, 250.201, 250.451, 250.458, 250.04,  
15/250.07, 250.44

See application file for complete search history.

(56) **References Cited**

**U.S. PATENT DOCUMENTS**

D365,320 S *	12/1995	Franz	.....	D12/220
D373,563 S *	9/1996	Abbott et al.	.....	D12/220
D382,848 S *	8/1997	Chen	.....	D12/219
D498,453 S *	11/2004	Lee	.....	D12/220
D592,121 S *	5/2009	Bratec et al.	.....	D12/220
2003/0177599 A1 *	9/2003	Wilson	.....	15/250.04
2008/0028565 A1 *	2/2008	Thienard	.....	15/250.201
2008/0250596 A1 *	10/2008	Kraemer	.....	15/250.32
2009/0013491 A1 *	1/2009	Su	.....	15/250.361
2009/0025174 A1 *	1/2009	Braun et al.	.....	15/250.48

\* cited by examiner

*Primary Examiner*—Caron Veynar  
*Assistant Examiner*—Katrina A Kile

(74) *Attorney, Agent, or Firm*—Bacon & Thomas, PLLC

(57) **CLAIM**

The ornamental design for a support sheath of wiper blade, as shown and described.

**DESCRIPTION**

FIG. 1 is a front view of the present design; the rear view being a mirror image thereof;

FIG. 2 is a right view of the present design; the left view being a mirror image thereof;

FIG. 3 is a top view of the present design;

FIG. 4 is a bottom view of the present design;

FIG. 5 is a perspective view of the present design;

FIG. 6 is a perspective view of the present design;

FIG. 7 is a sectional view taken along the 7—7 line of the FIG. 6;

FIG. 8 is a front view showing the present design;

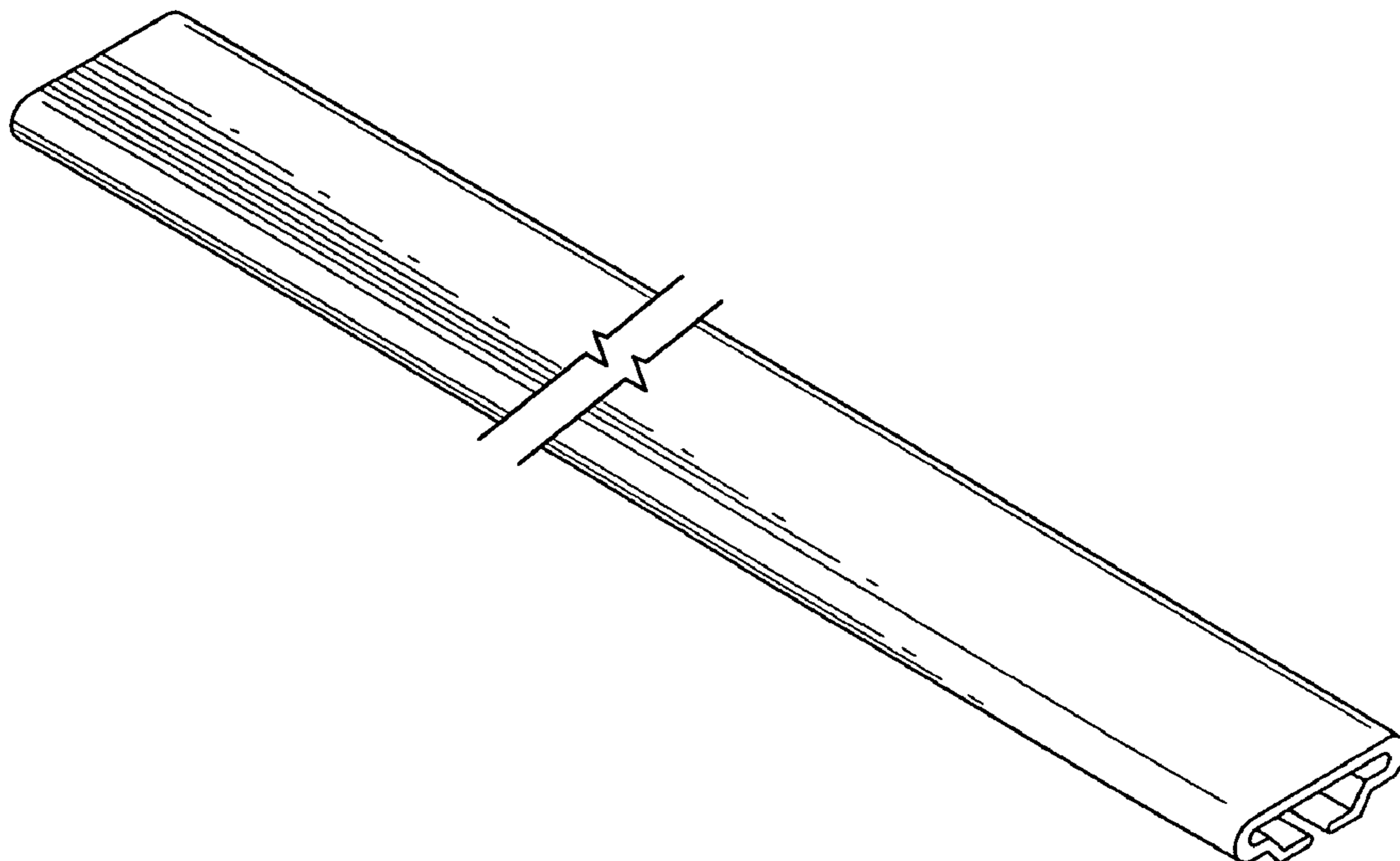
FIG. 9 is a front view showing the present design; and,

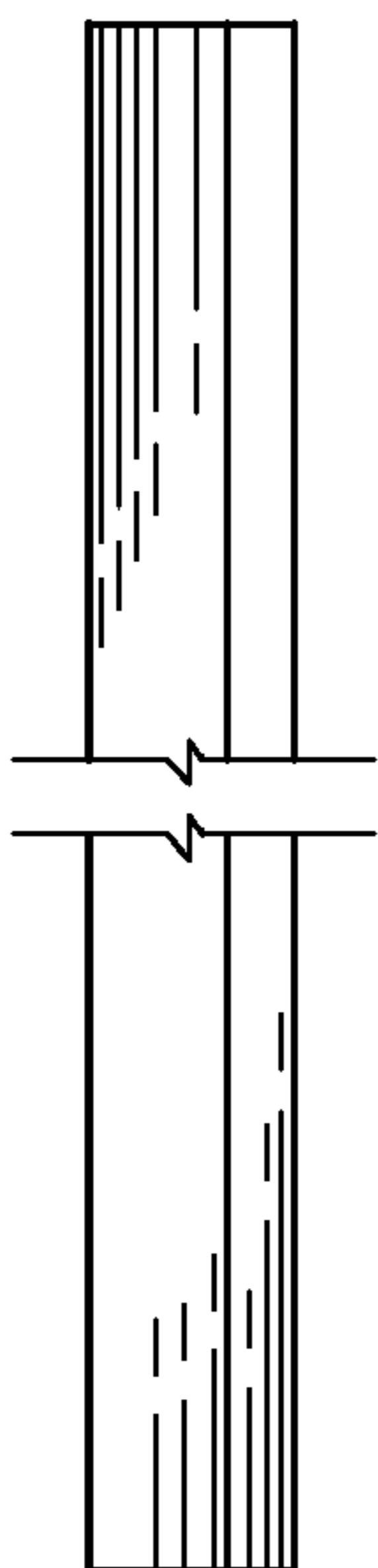
FIG. 10 is a front view showing the present design.

The break in the FIGS. 2, 3, 4 and 5 drawings show indeterminate length.

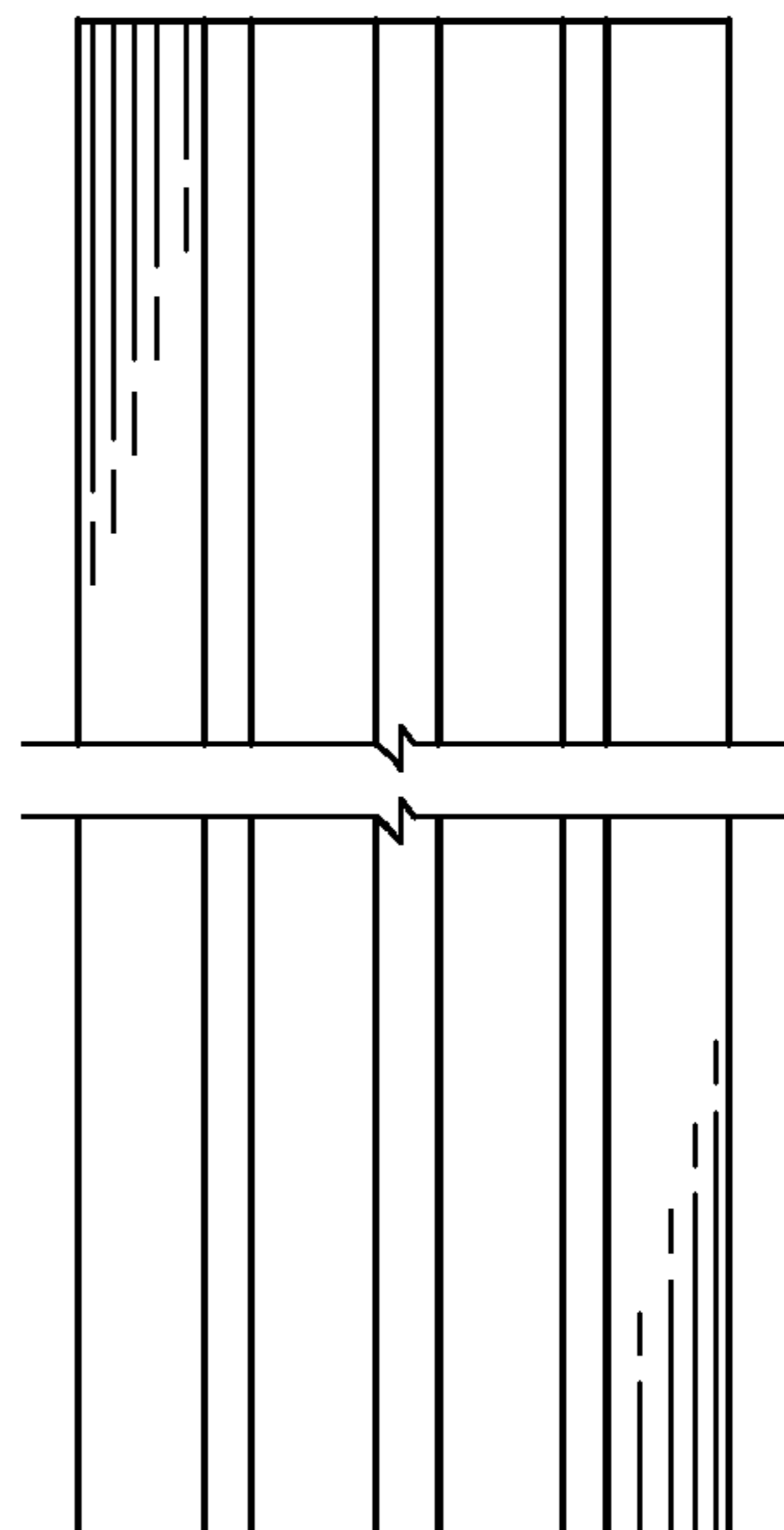
In the drawings, the broken lines in FIG. 6 show a wiper adapter base, and in FIGS. 8, 9 and 10 show spoilers and form no part of the claimed design.

**1 Claim, 3 Drawing Sheets**

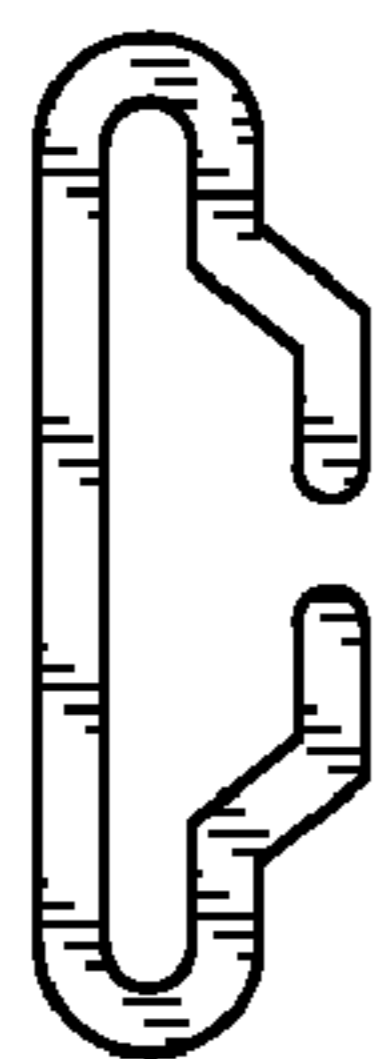




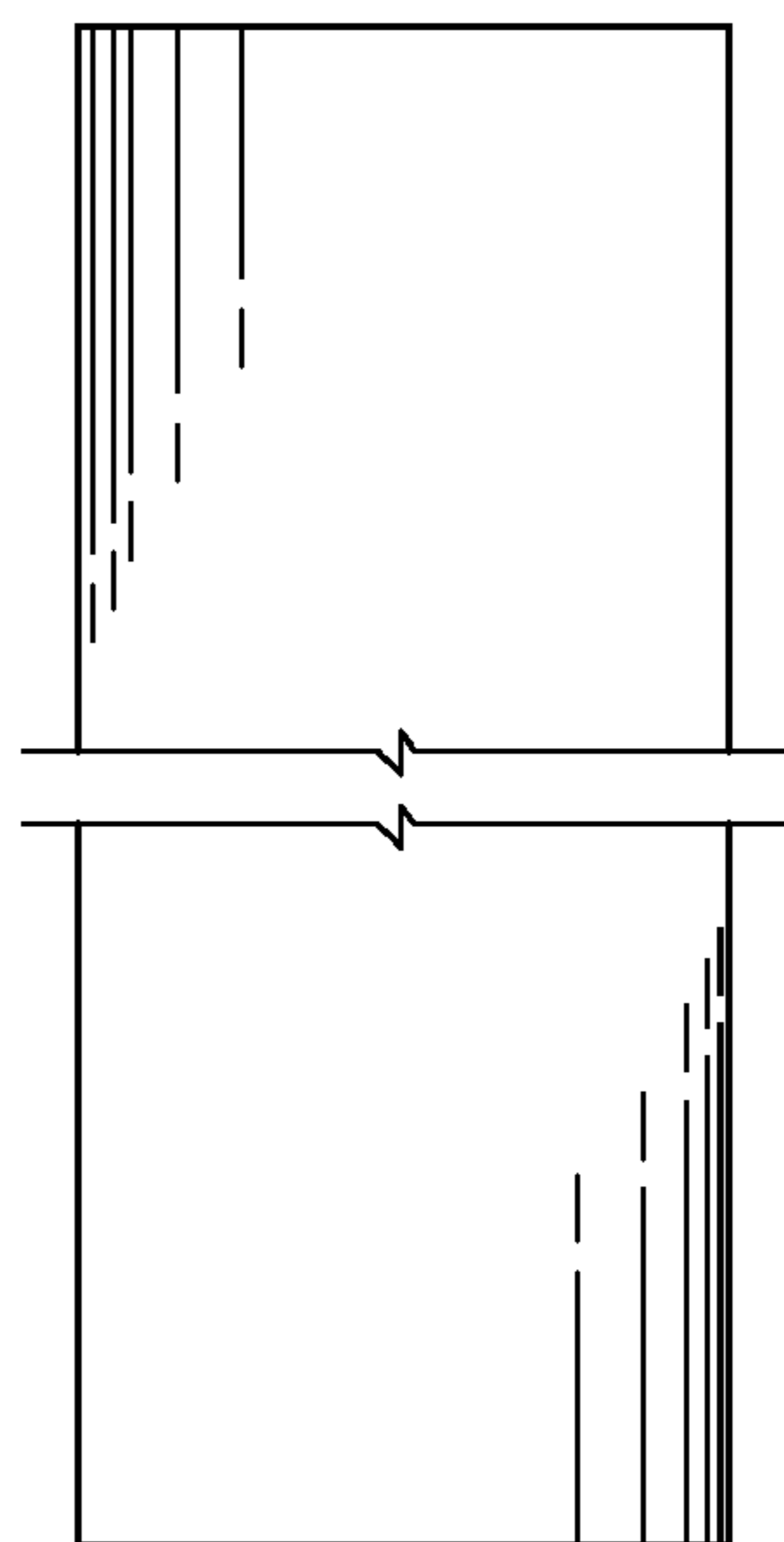
*Fig. 2*



*Fig. 4*



*Fig. 1*



*Fig. 3*

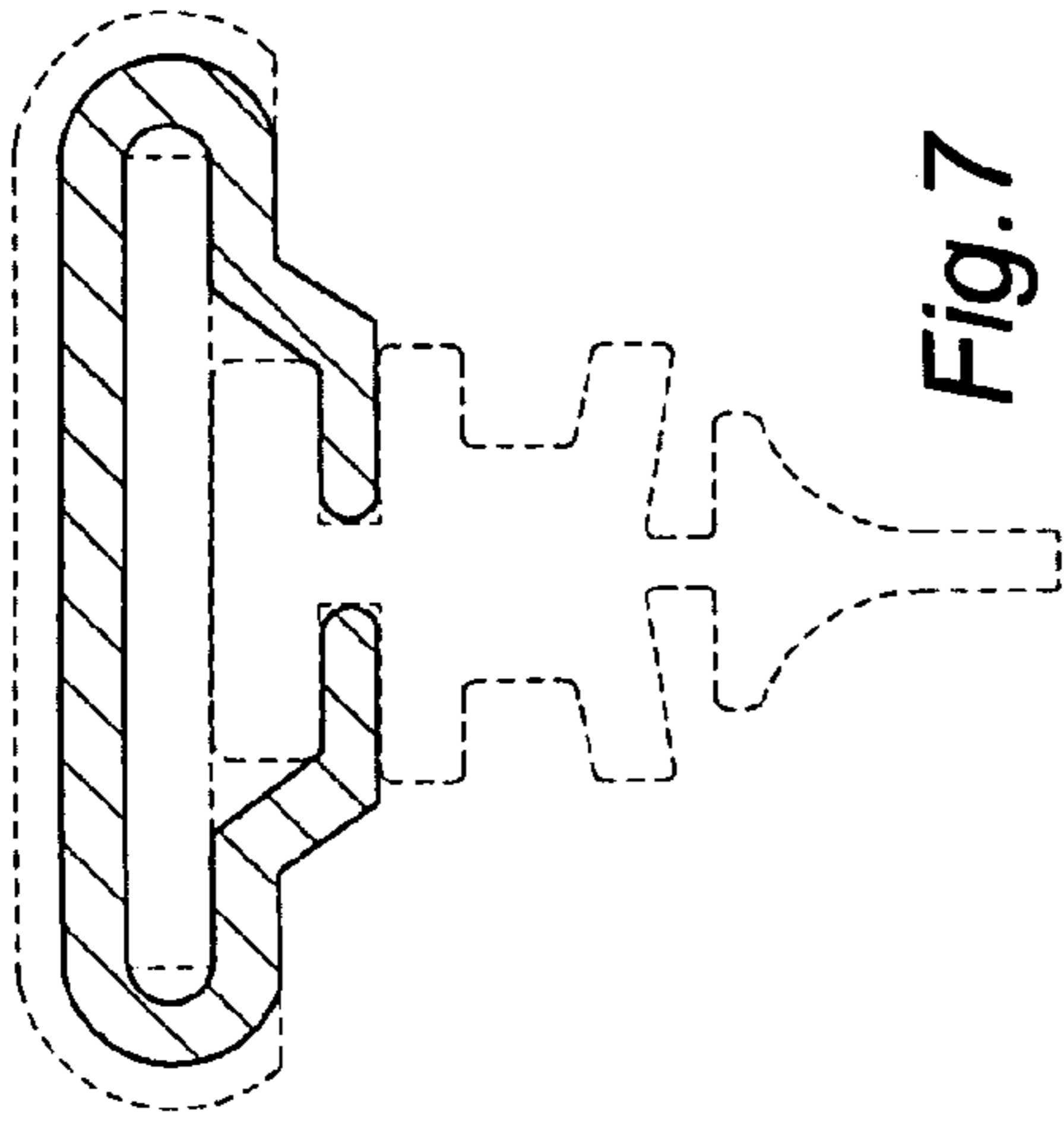


Fig. 7

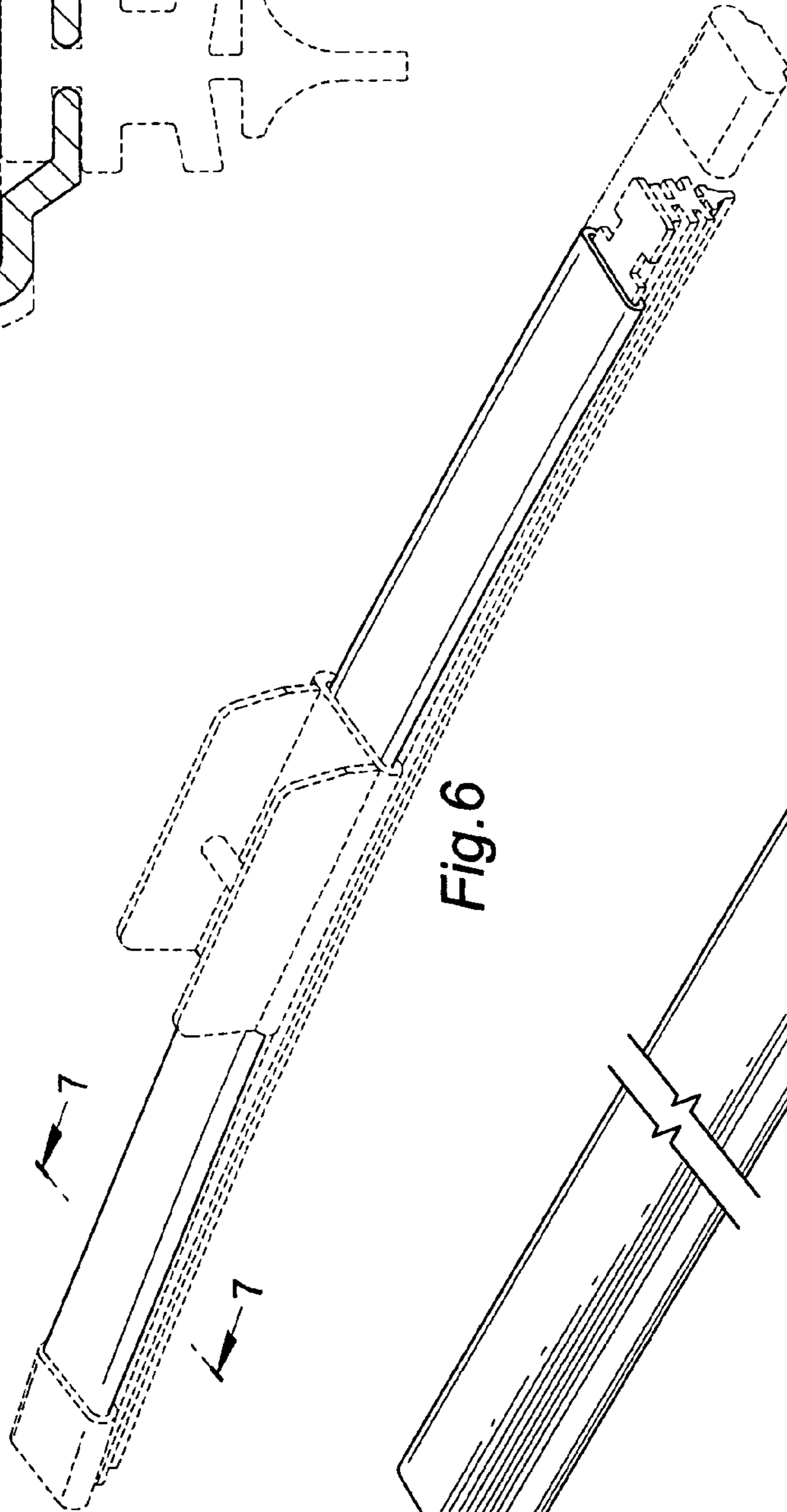


Fig. 6

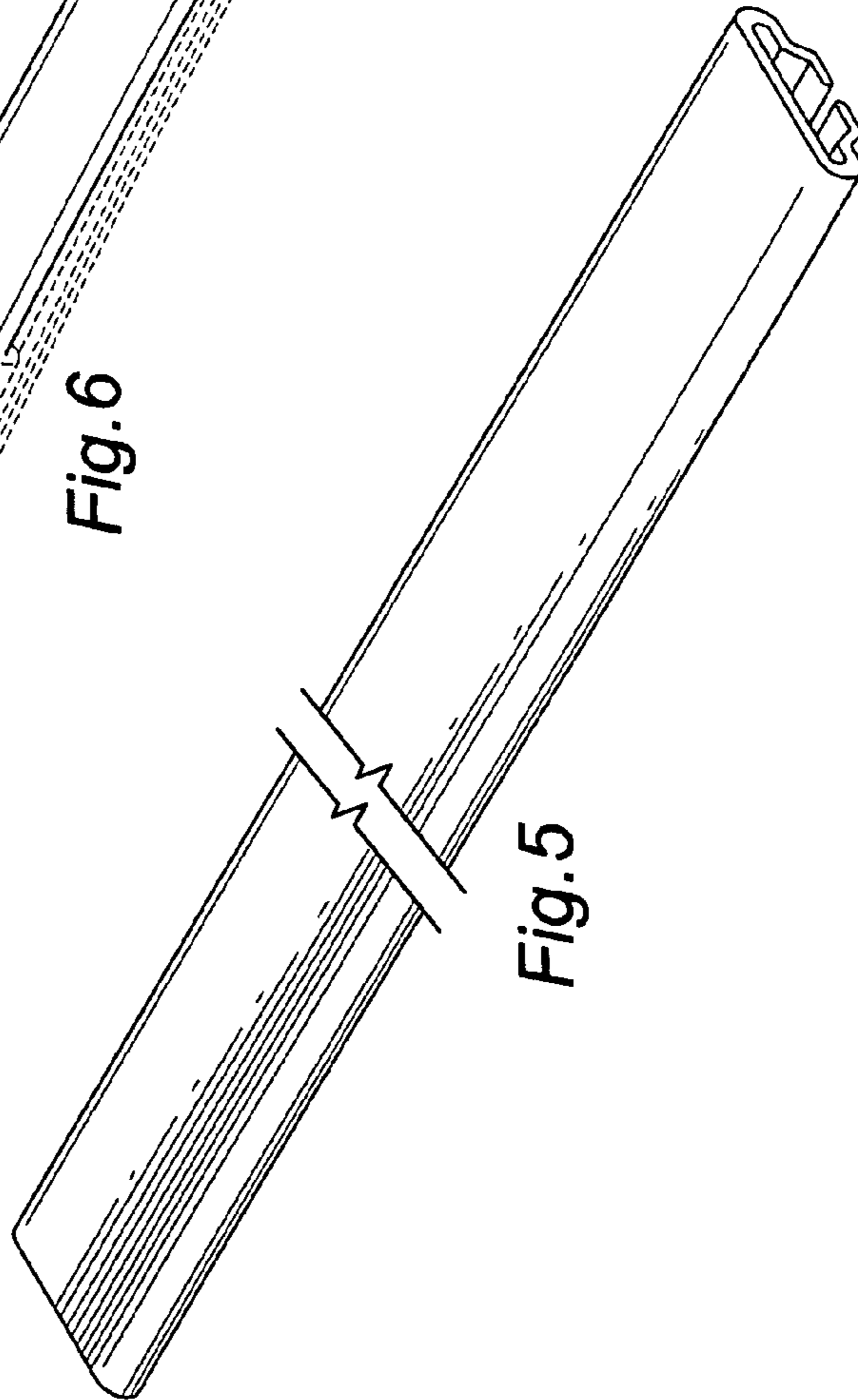


Fig. 5

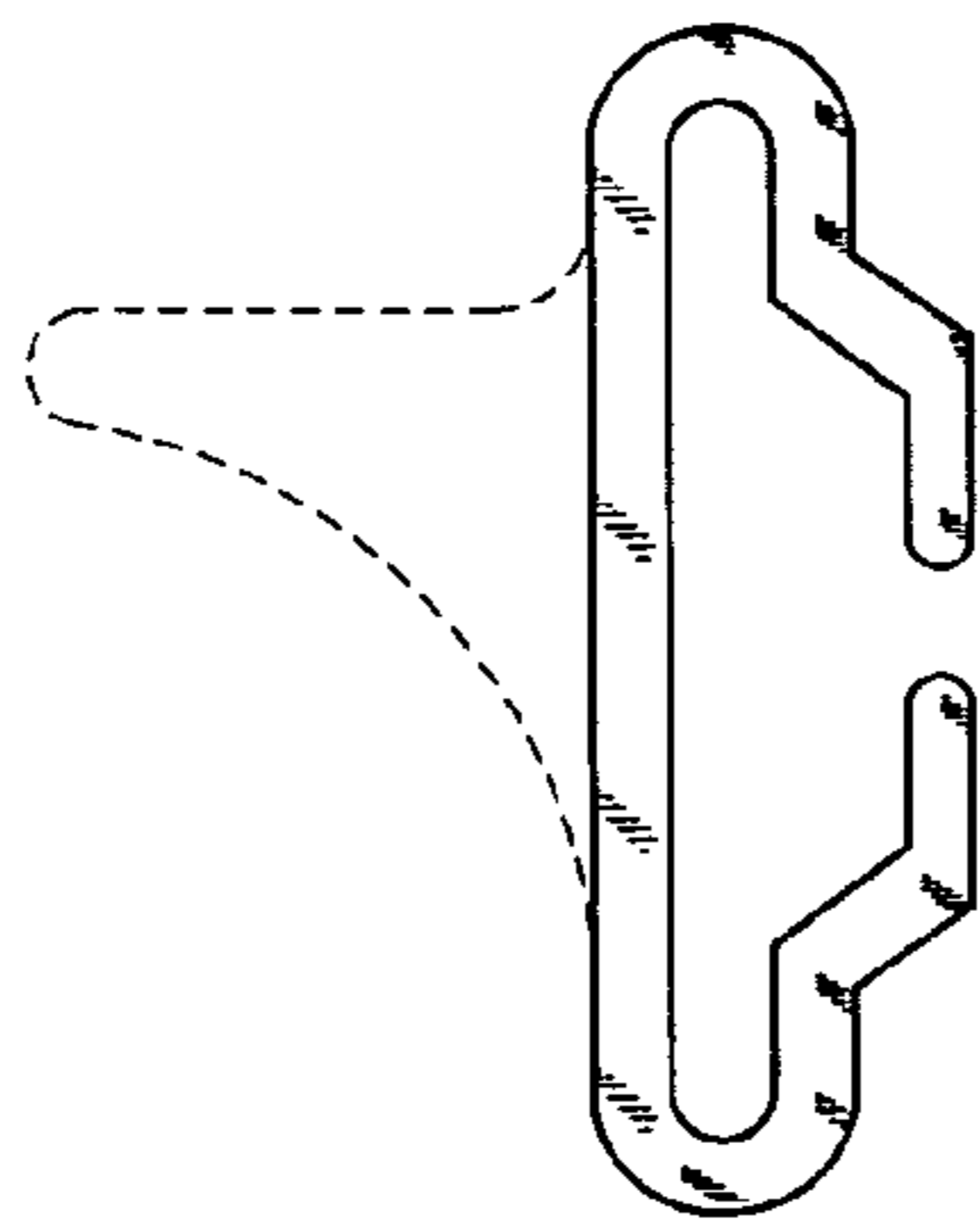


Fig. 10

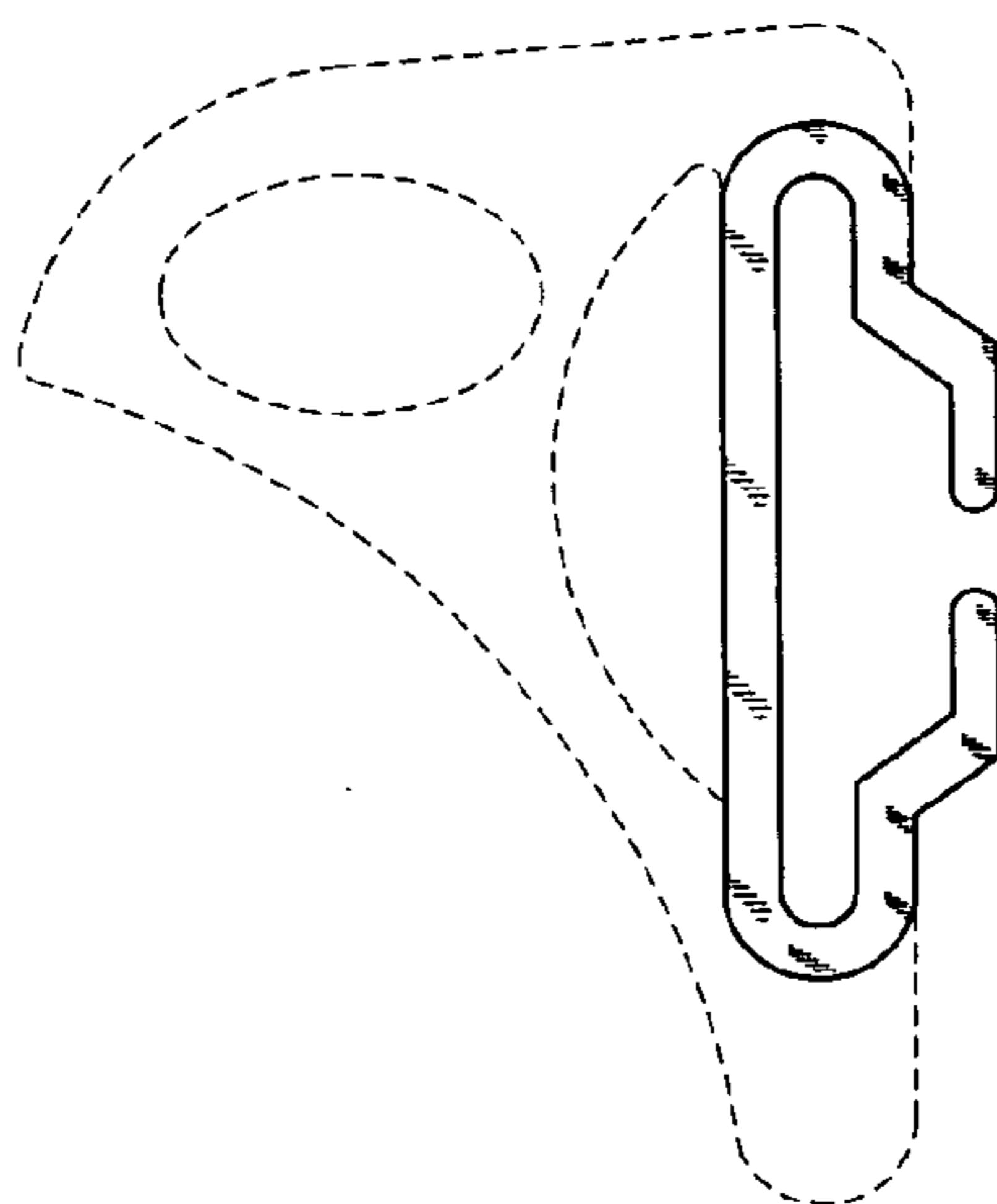


Fig. 9

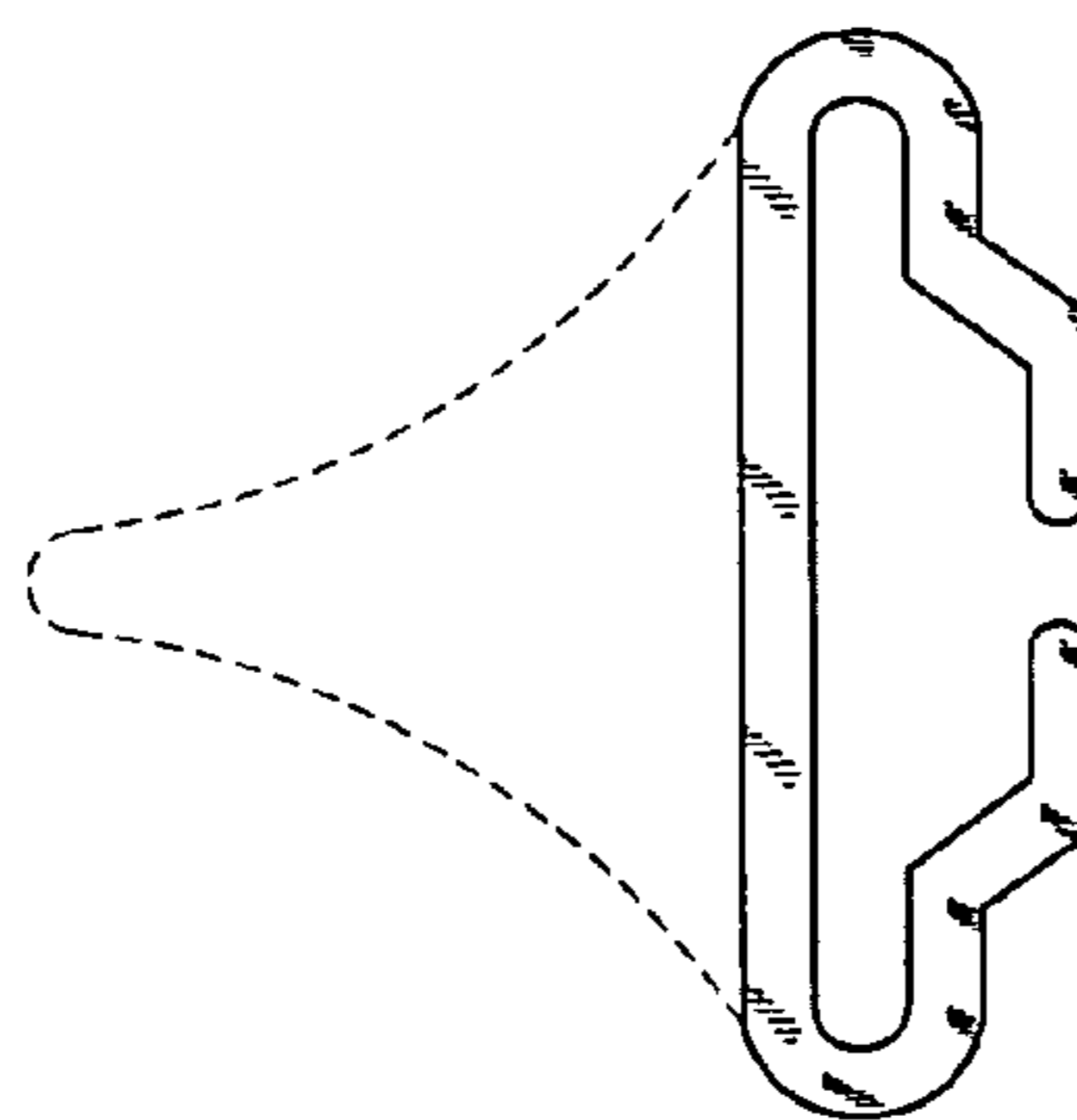


Fig. 8