



US00D613662S

(12) **United States Design Patent**
Cortes

(10) **Patent No.:** **US D613,662 S**

(45) **Date of Patent:** **** Apr. 13, 2010**

(54) **FRONT FACE OF A VEHICLE WHEEL**

(75) Inventor: **Juan Cortes**, Riverside, CA (US)

(73) Assignee: **Dooray Wheels, Inc.**, Irvine, CA (US)

(**) Term: **14 Years**

(21) Appl. No.: **29/350,318**

(22) Filed: **Nov. 13, 2009**

(51) **LOC (9) Cl.** **12-16**

(52) **U.S. Cl.** **D12/211**

(58) **Field of Classification Search** D12/204-213;
301/37.101, 64.101, 65, 64.201

See application file for complete search history.

(56) **References Cited**

U.S. PATENT DOCUMENTS

D444,118 S *	6/2001	Chung	D12/211
D456,335 S *	4/2002	Chung	D12/211
D480,348 S *	10/2003	Donikoglu	D12/211
D481,982 S *	11/2003	Takechi	D12/211
D481,985 S *	11/2003	Cahyono	D12/211
D500,725 S *	1/2005	Hong	D12/211
D503,918 S *	4/2005	Fahr-Becker	D12/211
D525,931 S *	8/2006	Chen	D12/211
D527,334 S *	8/2006	Hettler	D12/211

D528,960 S *	9/2006	Kim	D12/211
D530,657 S *	10/2006	Pfeiffer	D12/211
D539,725 S *	4/2007	Plumer	D12/211
D550,140 S *	9/2007	Laengerer	D12/211
D575,718 S *	8/2008	Pfeiffer	D12/211
D579,398 S *	10/2008	Kim	D12/211
D583,292 S *	12/2008	Chung	D12/211
D597,013 S *	7/2009	Chung	D12/211

* cited by examiner

Primary Examiner—Stacia Cadmus

(74) *Attorney, Agent, or Firm*—Blakely Sokoloff Taylor & Zafman LLP

(57) **CLAIM**

The ornamental design for a front face of a vehicle wheel, as shown and described.

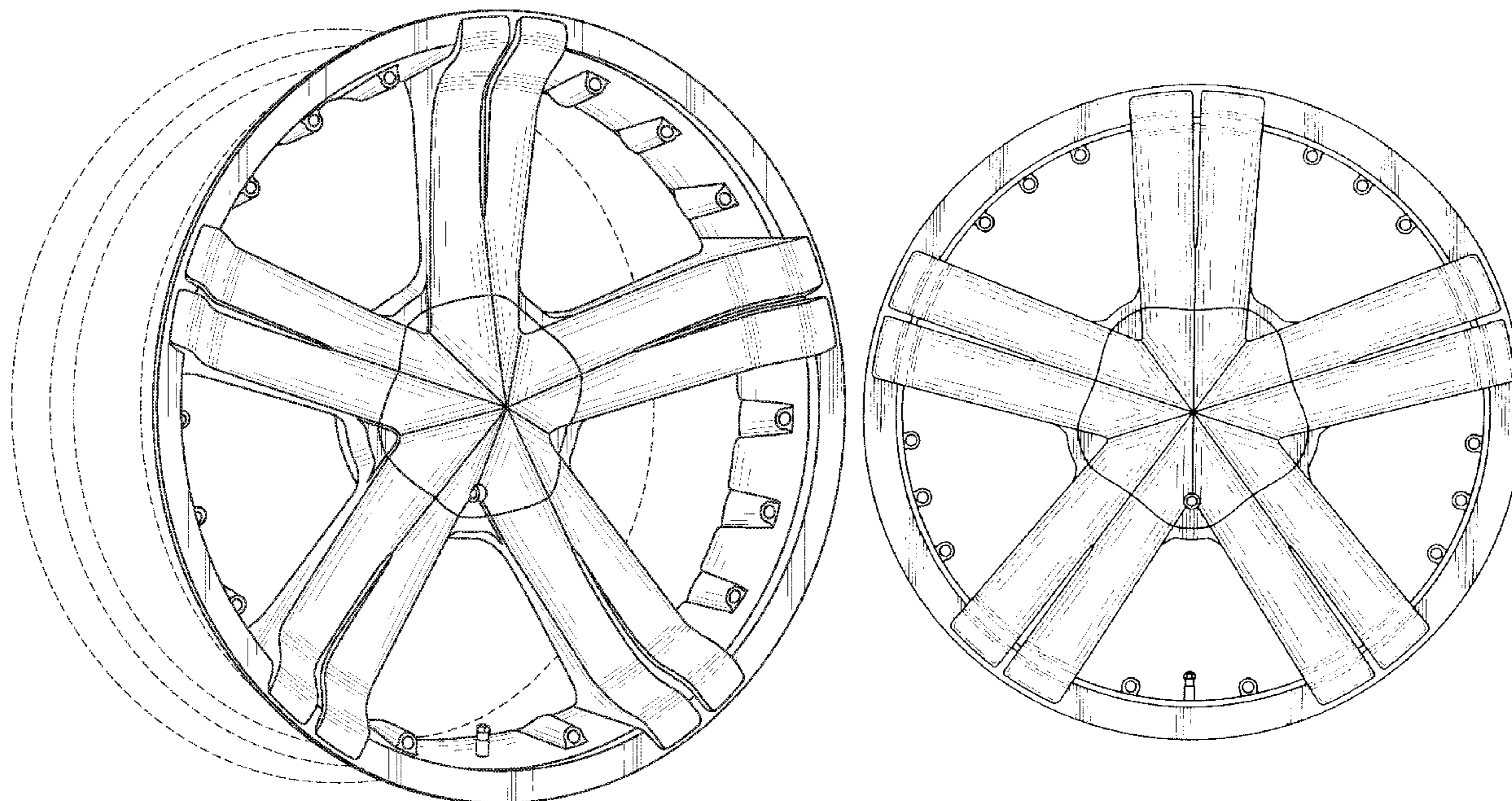
DESCRIPTION

FIG. 1 is a perspective view of a front face of a vehicle wheel showing my new design; and,

FIG. 2 is a front view thereof.

The broken line showing of the rear portion of the wheel is included for the purpose of illustrating environment and forms no part of the claimed design.

1 Claim, 2 Drawing Sheets



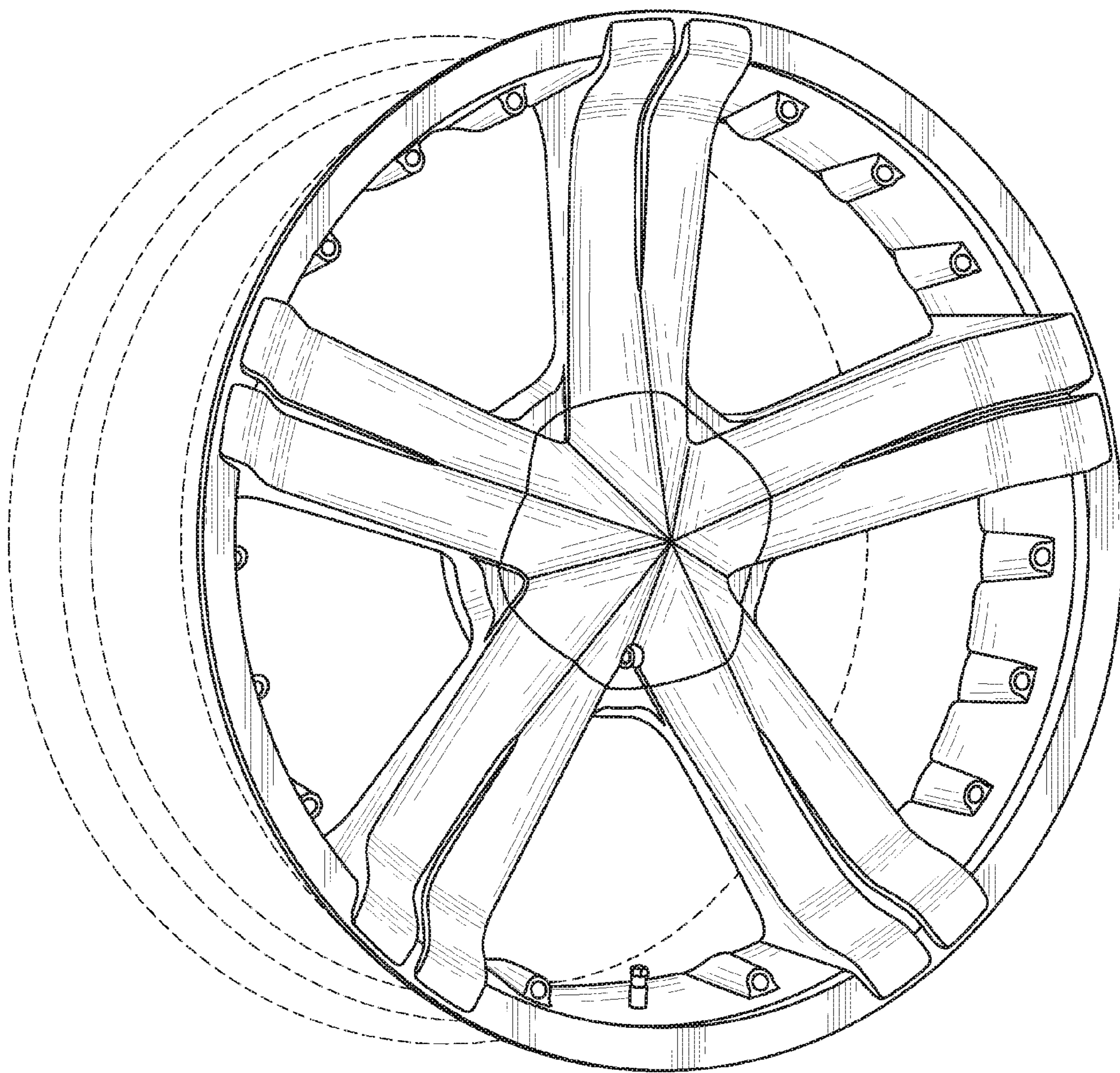


FIG. 1

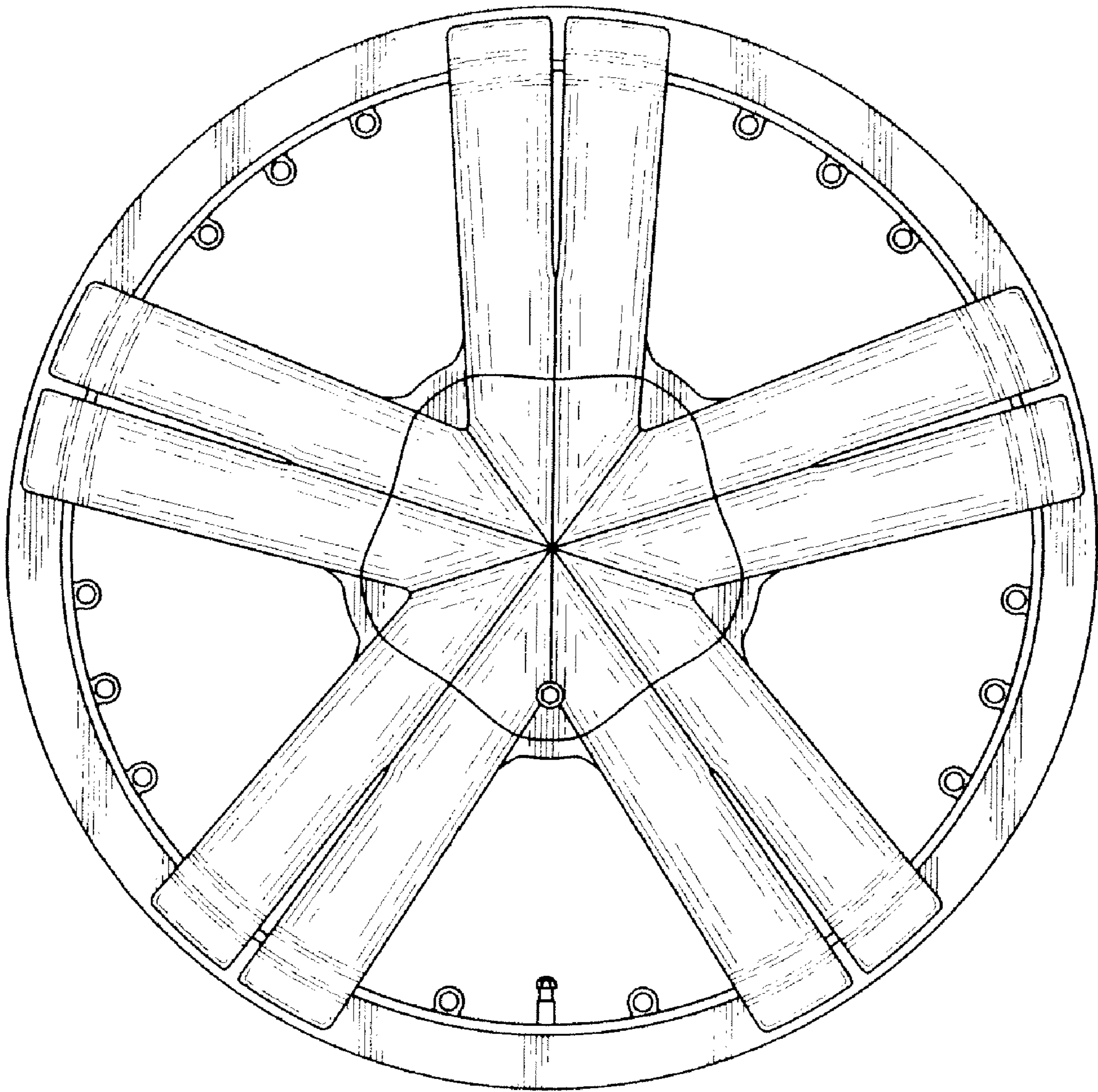


FIG. 2