



US00D613661S

(12) **United States Design Patent**
Lee et al.

(10) **Patent No.:** **US D613,661 S**
(45) **Date of Patent:** **** Apr. 13, 2010**

(54) **VEHICLE WHEEL**

(75) Inventors: **Sang Yup Lee**, Beverly Hills, MI (US);
Luciano M. Nakamura, Shelby
Township, MI (US)

(73) Assignee: **GM Global Technology Operations,
Inc.**, Detroit, MI (US)

(**) Term: **14 Years**

(21) Appl. No.: **29/346,184**

(22) Filed: **Oct. 28, 2009**

(51) **LOC (9) Cl.** **12-16**

(52) **U.S. Cl.** **D12/211**

(58) **Field of Classification Search** D12/204-213;
301/37.101, 64.101, 65, 64.201
See application file for complete search history.

(56) **References Cited**

U.S. PATENT DOCUMENTS

| | | | | |
|--------------|---------|--------------|-------|---------|
| D441,709 S * | 5/2001 | Vian | | D12/211 |
| D478,031 S * | 8/2003 | Brown et al. | | D12/211 |
| D488,422 S * | 4/2004 | Hartanto | | D12/209 |
| D512,949 S * | 12/2005 | Ettensberger | | D12/211 |
| D531,562 S * | 11/2006 | Kim | | D12/209 |

| | | | | |
|--------------|---------|--------------------|-------|---------|
| D532,738 S * | 11/2006 | Ettensberger | | D12/211 |
| D540,733 S * | 4/2007 | Castiglione | | D12/211 |
| D551,147 S * | 9/2007 | Guevara | | D12/209 |
| D576,533 S * | 9/2008 | Gallert | | D12/209 |
| D599,267 S * | 9/2009 | Morgenstern et al. | | D12/211 |

* cited by examiner

Primary Examiner—Stacia Cadmus

(74) *Attorney, Agent, or Firm*—Reising Ethington P.C.

(57) **CLAIM**

The ornamental design for a vehicle wheel, as shown and described.

DESCRIPTION

FIG. 1 is a front view of a vehicle wheel showing the new design;

FIG. 2 is a left front perspective view thereof;

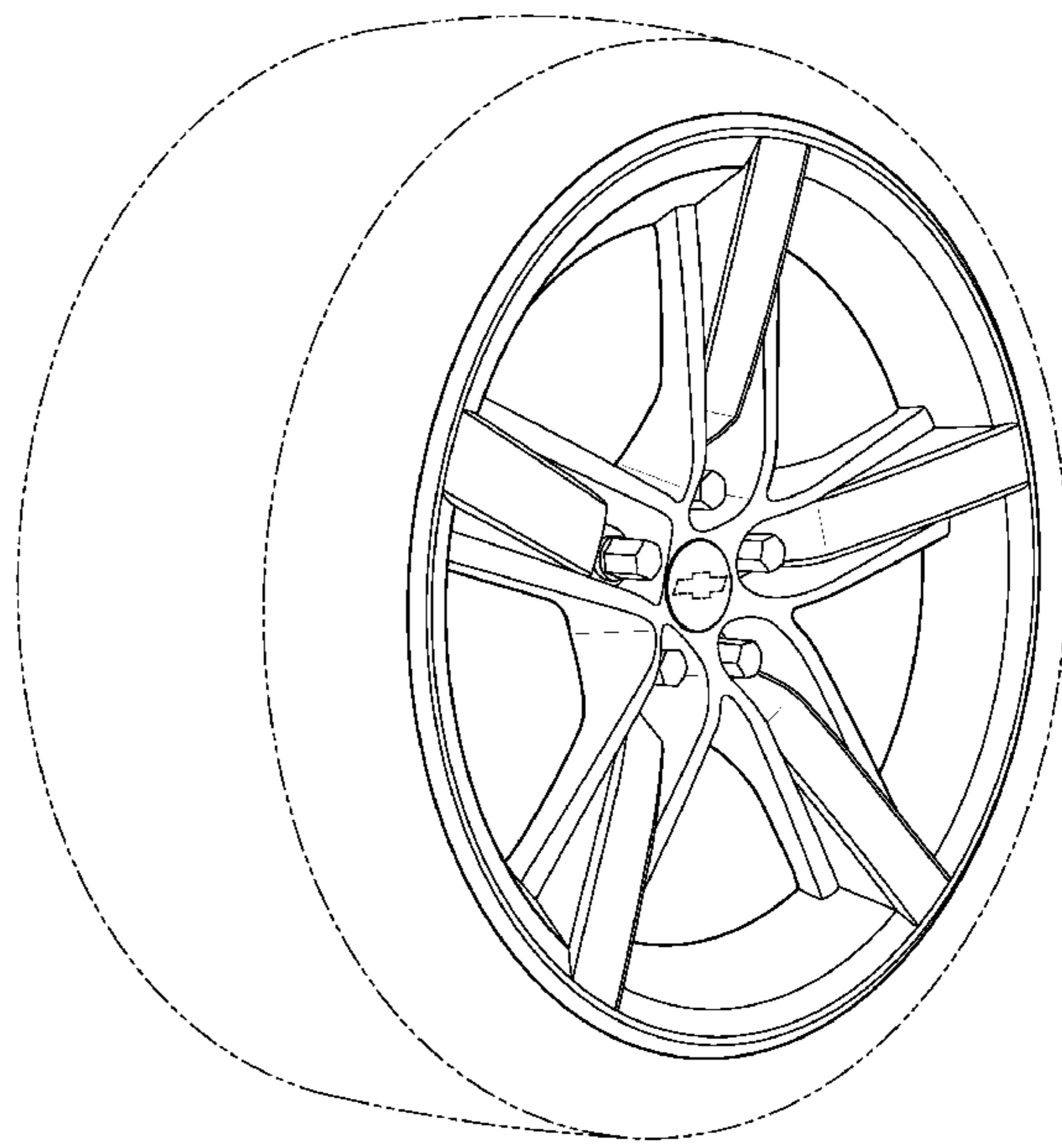
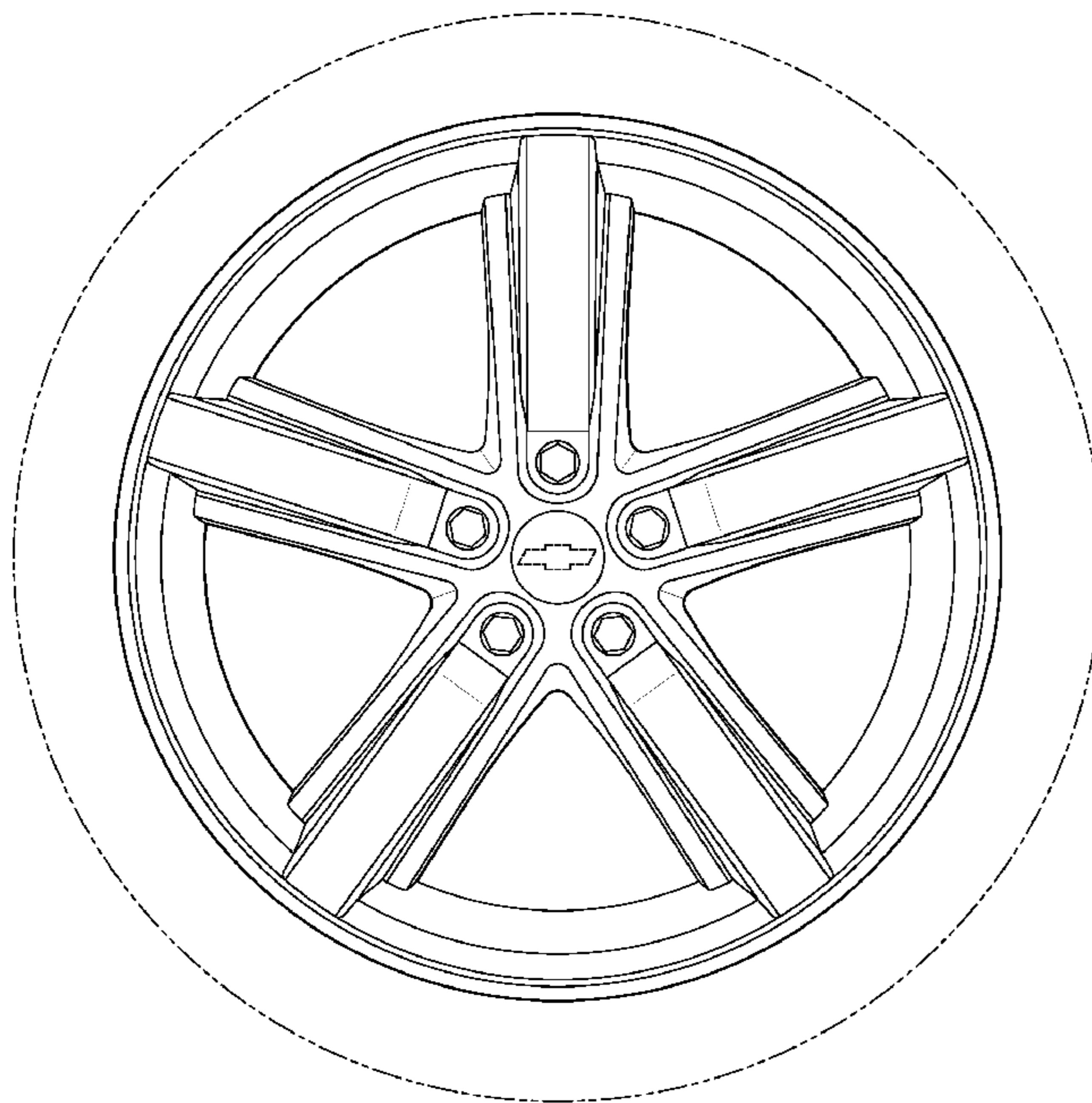
FIG. 3 is a left rear perspective view thereof;

FIG. 4 is a rear-side perspective view thereof; and,

FIG. 5 is a rear view thereof.

In the drawings, the elements shown in broken lines are for illustrative purposes only and form no part of the claimed design.

1 Claim, 5 Drawing Sheets



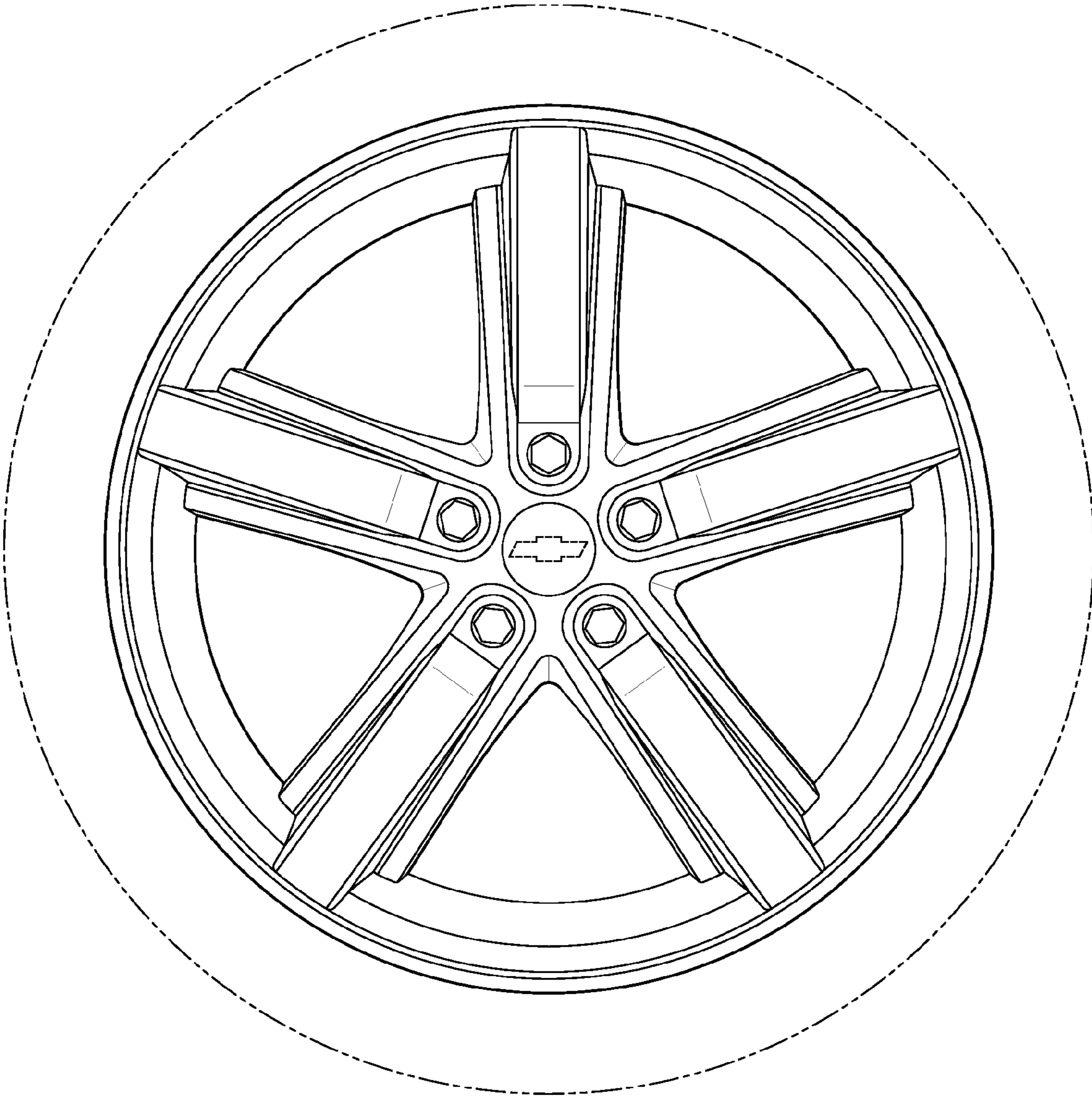


Fig-1

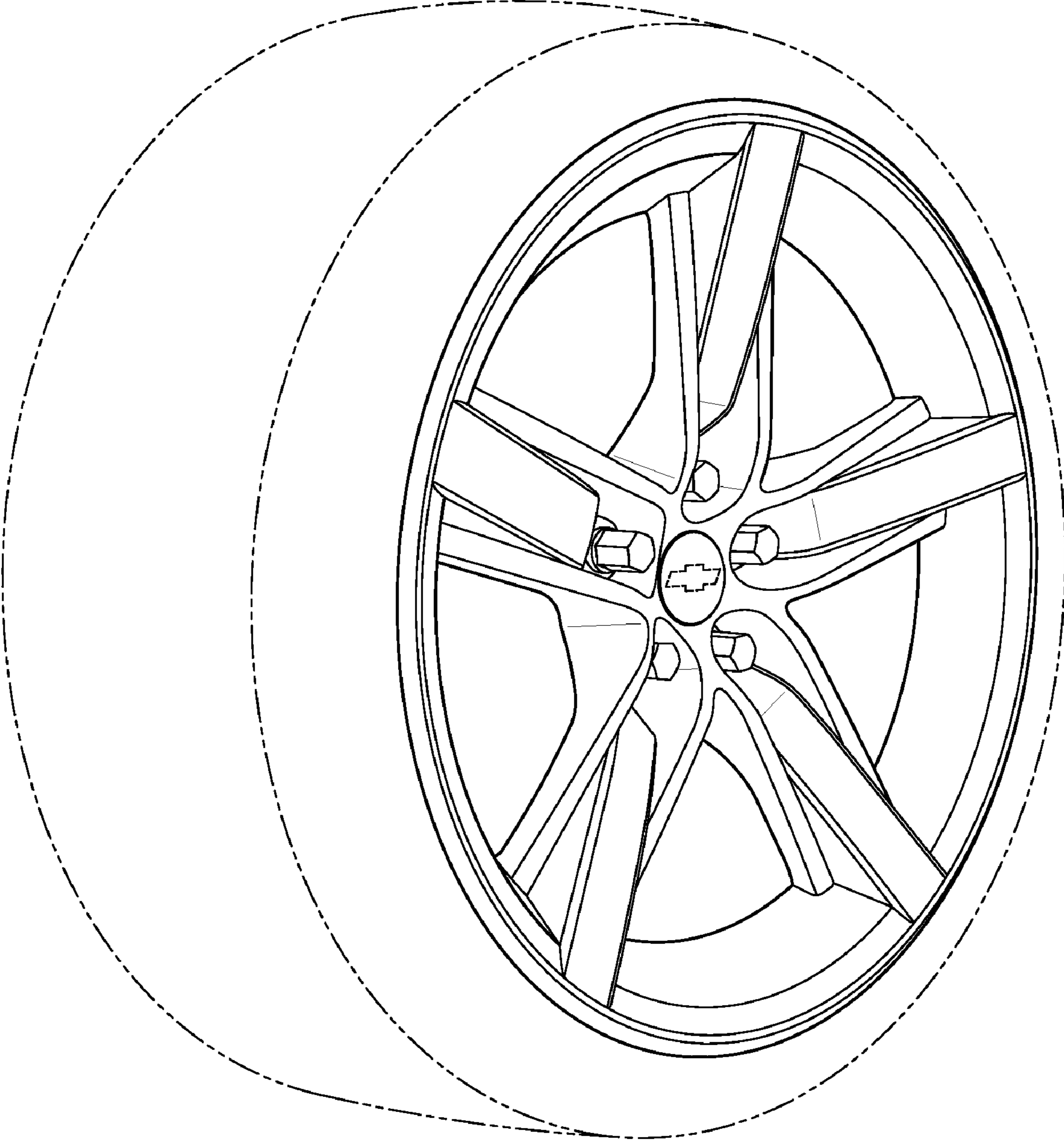


Fig-2

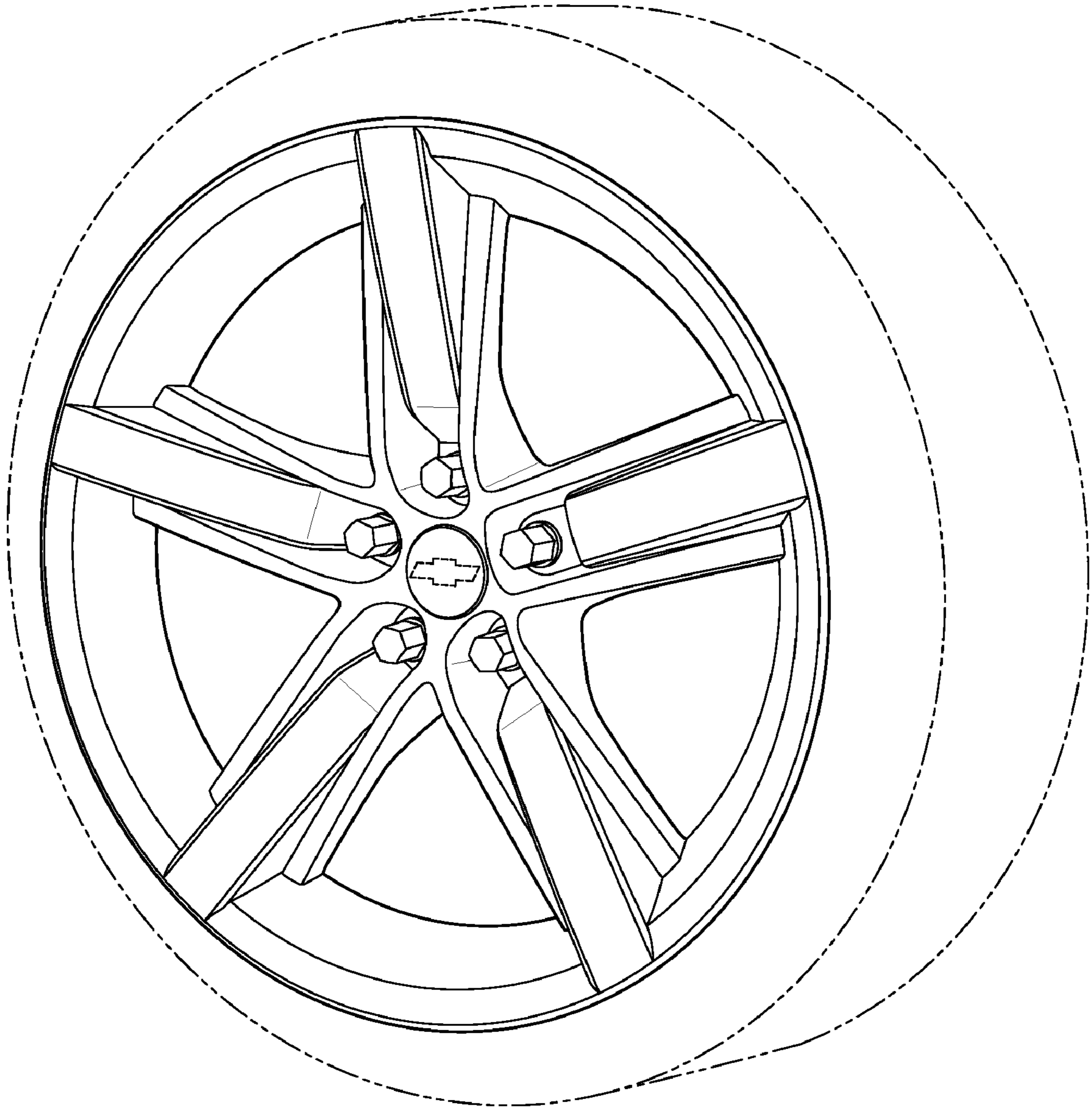


Fig-3

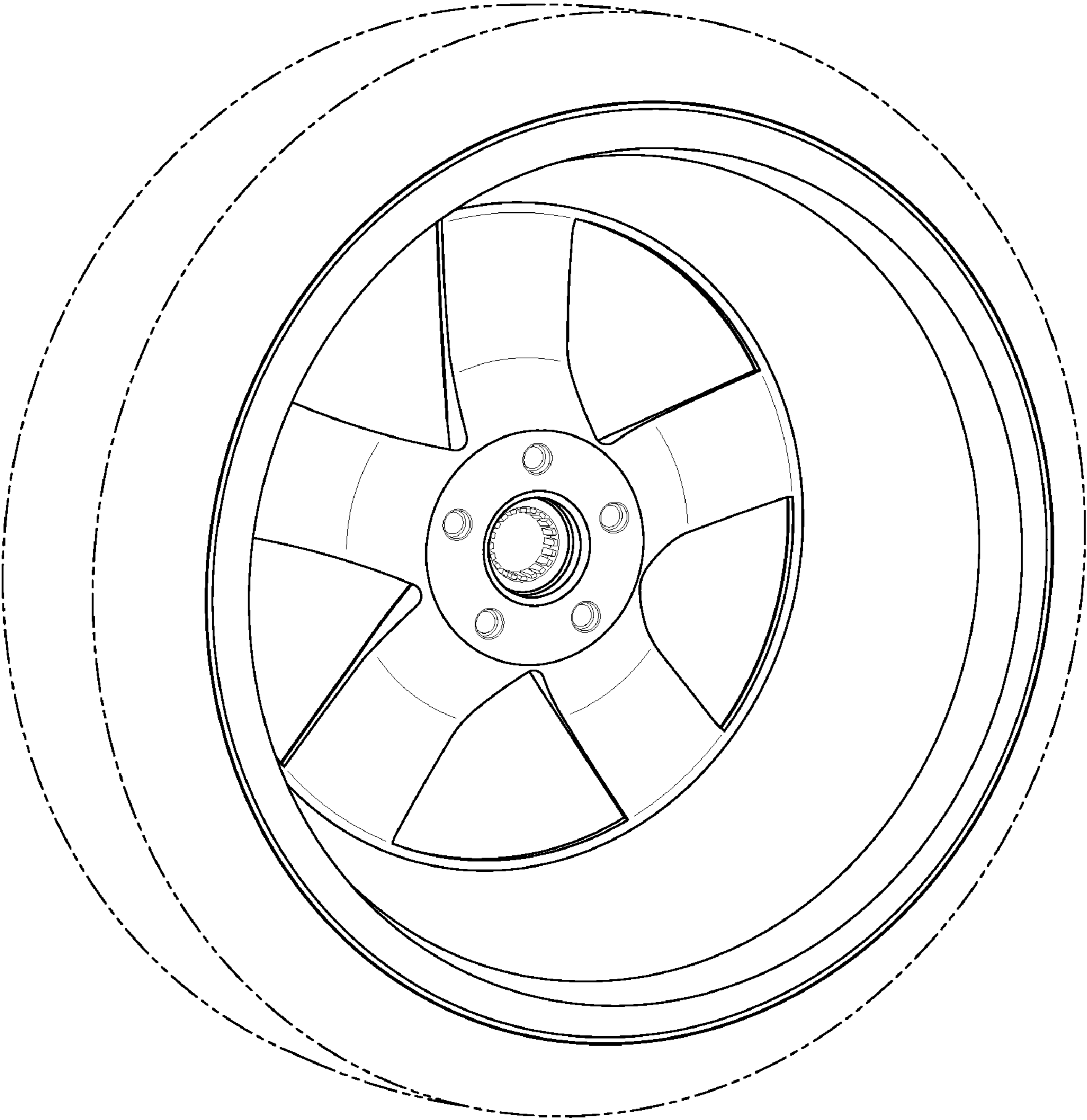


Fig-4

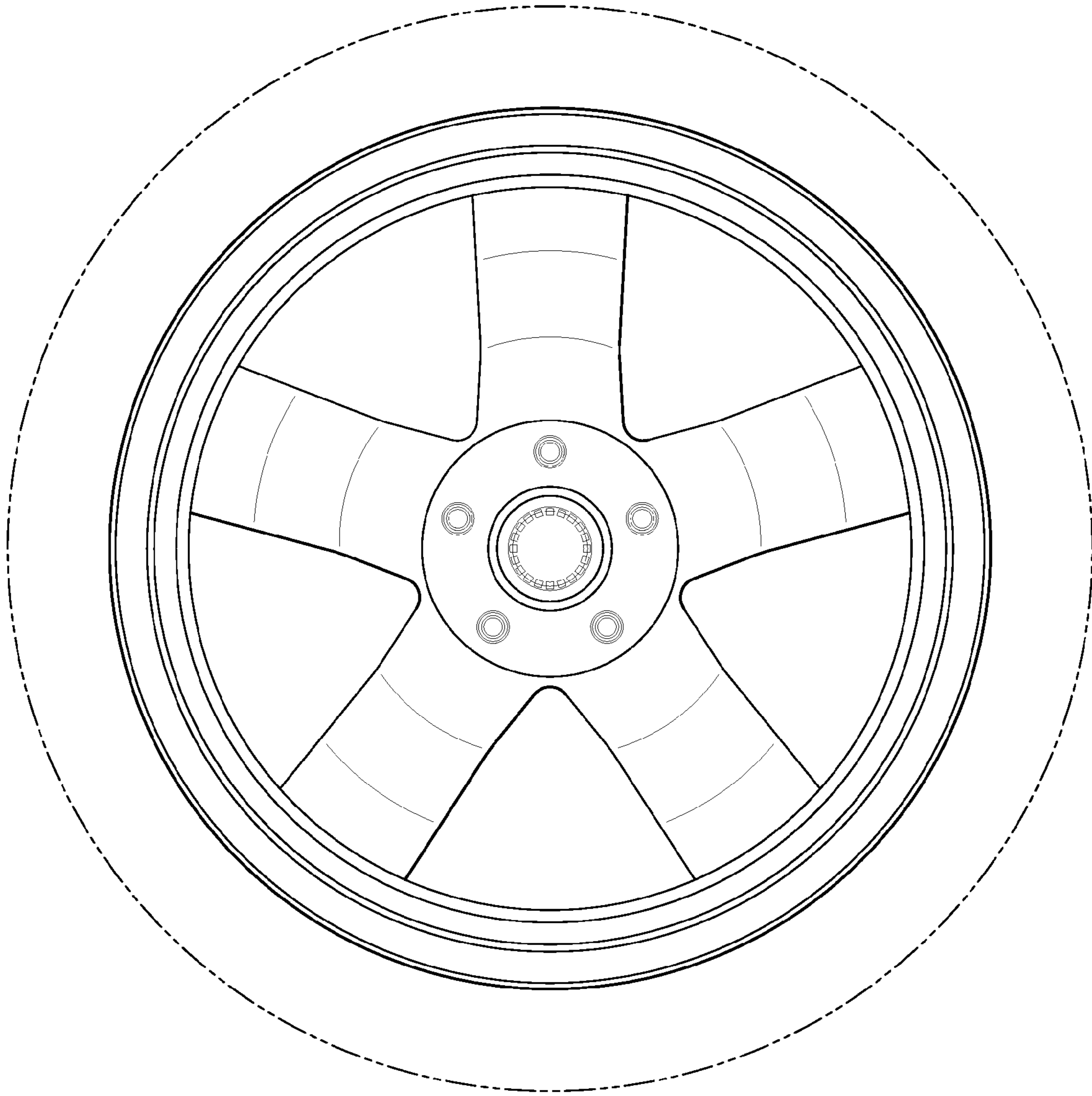


Fig-5