

US00D613660S

(12) **United States Design Patent**
Tant et al.

(10) **Patent No.:** **US D613,660 S**
(45) **Date of Patent:** **** Apr. 13, 2010**

(54) **VEHICLE WHEEL**

(75) Inventors: **Sean William Tant**, Livonia, MI (US);
Patrick J. Schiavone, Bloomfield, MI
(US); **George Bucher**, Dearborn, MI
(US)

(73) Assignee: **Ford Motor Company**, Dearborn, MI
(US)

(**) Term: **14 Years**

(21) Appl. No.: **29/323,623**

(22) Filed: **Aug. 28, 2008**

(51) **LOC (9) Cl.** **12-16**

(52) **U.S. Cl.** **D12/211**

(58) **Field of Classification Search** D12/204-213;
301/37.101, 64.101, 65

See application file for complete search history.

(56) **References Cited**

U.S. PATENT DOCUMENTS

D361,546 S	*	8/1995	Weld	D12/209
D375,285 S	*	11/1996	Honer	D12/206
D385,837 S	*	11/1997	Muller	D12/209
D397,662 S	*	9/1998	LeJuerne	D12/209
D455,695 S	*	4/2002	Kaucher	D12/209
D514,494 S	*	2/2006	Scheu	D12/209
D519,899 S		5/2006	Metros		
D520,432 S		5/2006	Metros		
D523,384 S		6/2006	Metros		
D528,061 S		9/2006	Saridakis et al.		
D529,426 S		10/2006	Metros		

D534,113 S	12/2006	Metros
D540,732 S	4/2007	Metros
D544,426 S	6/2007	Siler
D566,641 S	4/2008	Fuligni

OTHER PUBLICATIONS

OEM Rims Factory Wheels Stock Rim Chrome Replica Wheel Used Rims Wheels O . . . <http://www.finishlinewheels.com/specials/11,FORD%2BTRUCK/>.

<http://www.pickuptruck.com/html/news/ford/raptor/page12008.html>.

Detroit Wheel and Tire: Product Search <http://www.detroitwheelandtire.com/search/?make=149&year=2008&model=675>.

2005 Chicago Auto Show, Ford, F150 Harley Davidson.
2008 Detroit Auto Show, Ford, F150 Platinum.

* cited by examiner

Primary Examiner—Elizabeth A Albert

Assistant Examiner—Kelley A Donnelly

(74) *Attorney, Agent, or Firm*—Damian Porcari

(57) **CLAIM**

An ornamental design for a vehicle wheel, as shown and described.

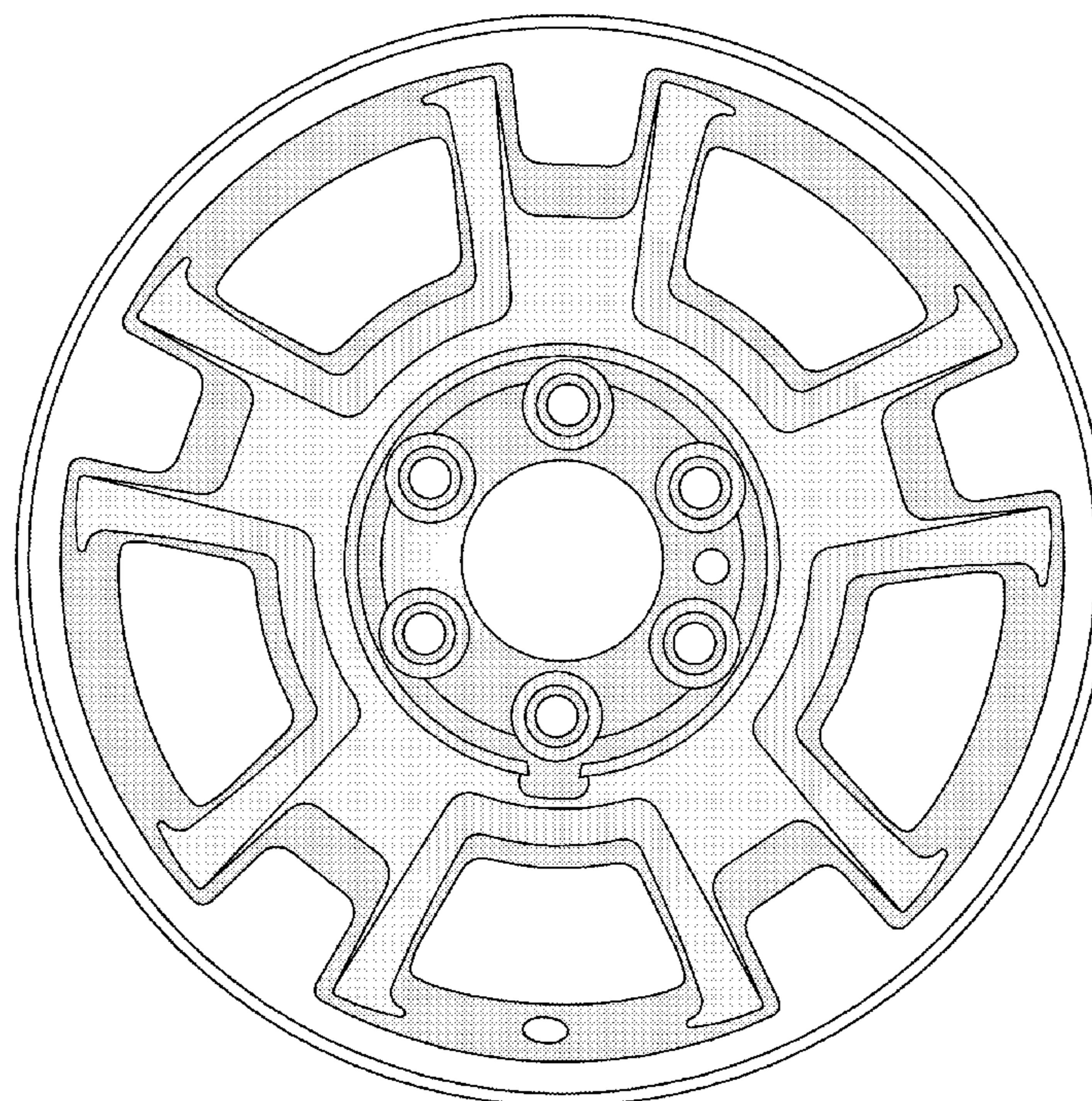
DESCRIPTION

FIG. 1 is a front view of a vehicle wheel; and,

FIG. 2 is a perspective view of the vehicle wheel.

The broken lines in the drawings are for environmental purposes only and form no part of the claimed design.

1 Claim, 2 Drawing Sheets



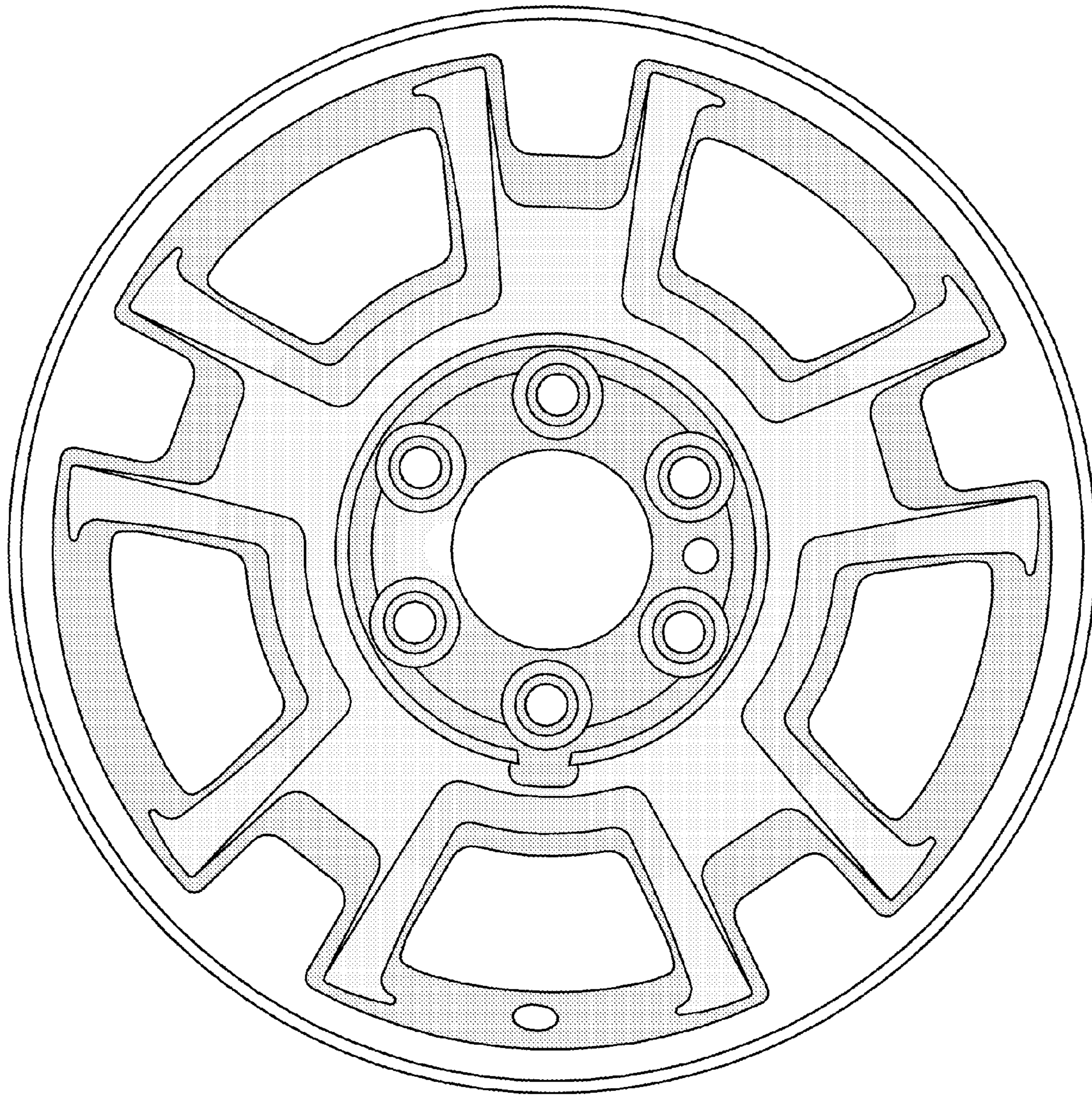


Figure 1

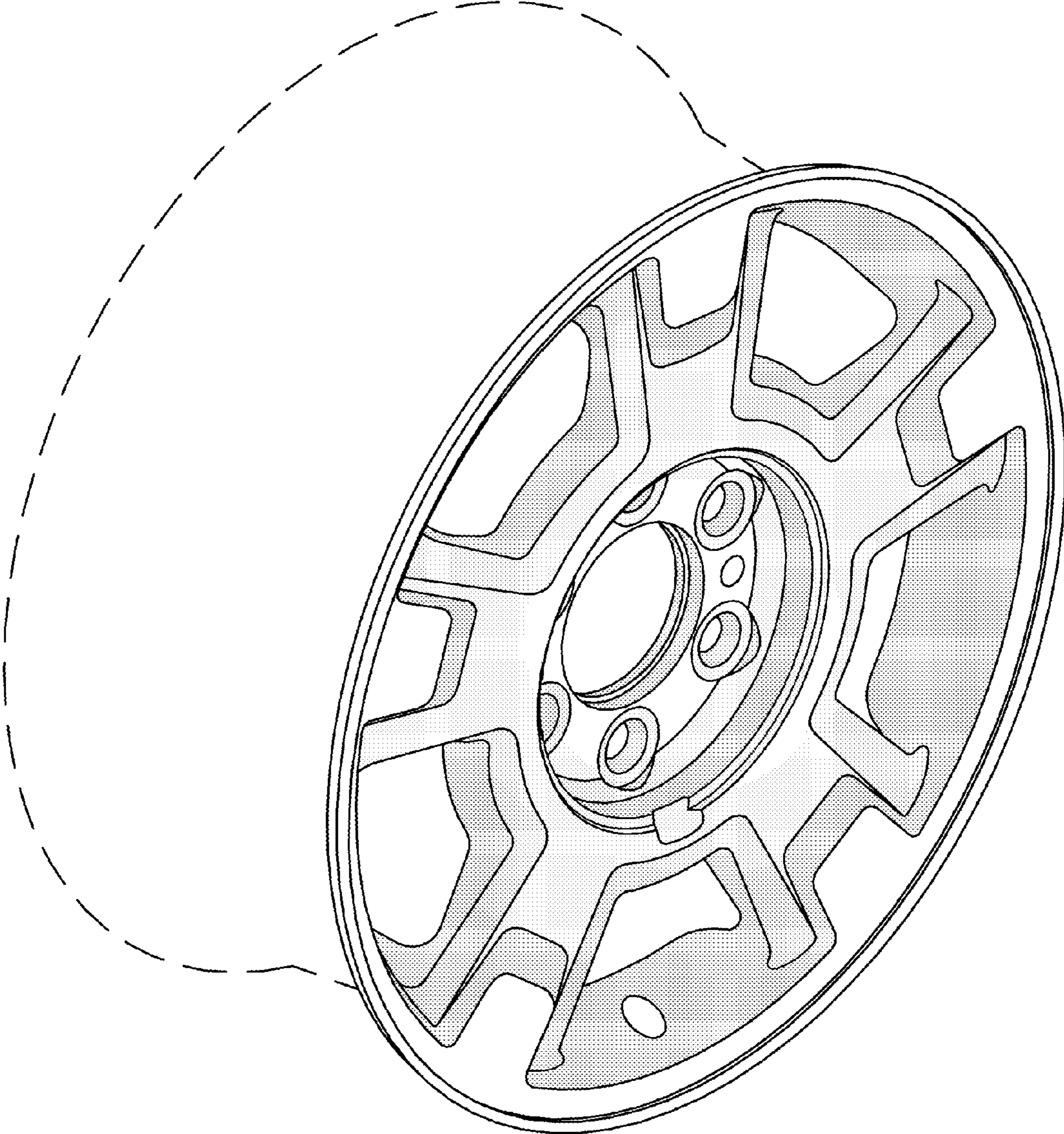


Figure 2