



US00D613658S

(12) **United States Design Patent**
Cortes

(10) **Patent No.:** **US D613,658 S**

(45) **Date of Patent:** **** Apr. 13, 2010**

(54) **FRONT FACE OF A VEHICLE WHEEL**

(75) Inventor: **Juan Cortes**, Riverside, CA (US)

(73) Assignee: **Dooray Wheels, Inc.**, Irvine, CA (US)

(**) Term: **14 Years**

(21) Appl. No.: **29/350,322**

(22) Filed: **Nov. 13, 2009**

(51) **LOC (9) Cl.** **12-16**

(52) **U.S. Cl.** **D12/209**

(58) **Field of Classification Search** D12/204-213;
301/37.101, 64.101, 65, 64.201

See application file for complete search history.

(56) **References Cited**

U.S. PATENT DOCUMENTS

D500,978 S *	1/2005	Echazabal	D12/209
D504,379 S *	4/2005	Kern	D12/209
D516,488 S *	3/2006	Truebsbach	D12/209
D527,327 S *	8/2006	Laengerer	D12/211
D527,332 S *	8/2006	Khan	D12/211
D546,262 S *	7/2007	Arora	D12/209
D547,251 S *	7/2007	Baum	D12/209

D554,036 S *	10/2007	Chung	D12/209
D560,587 S *	1/2008	Cheng	D12/209
D567,165 S *	4/2008	Truebsbach	D12/209
D571,704 S *	6/2008	Kahn	D12/211
D579,846 S *	11/2008	Chung	D12/209
D584,673 S *	1/2009	Chung	D12/209

* cited by examiner

Primary Examiner—Stacia Cadmus

(74) *Attorney, Agent, or Firm*—Blakely Sokoloff Taylor & Zafman LLP

(57) **CLAIM**

The ornamental design for a front face of a vehicle wheel, as shown and described.

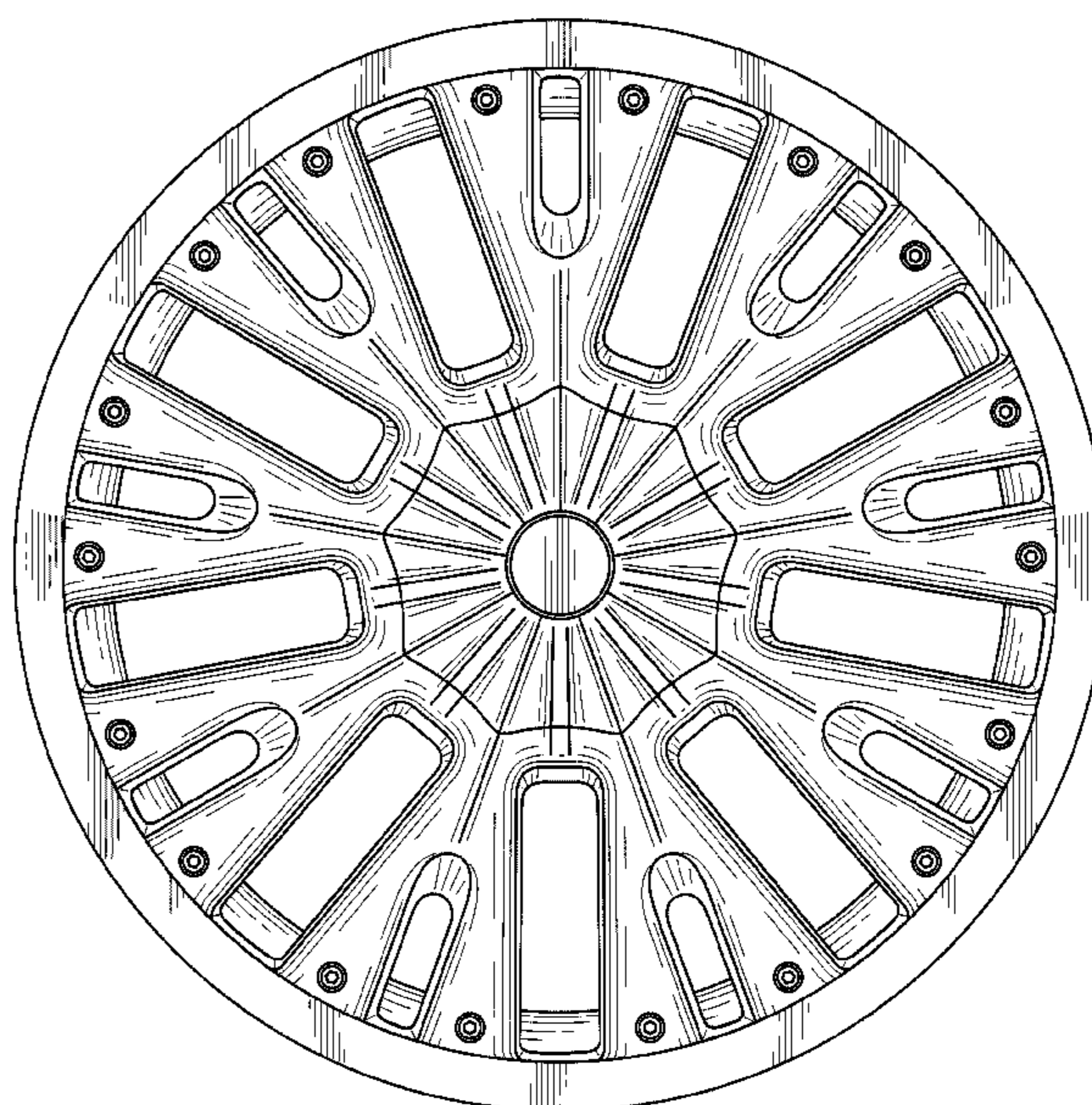
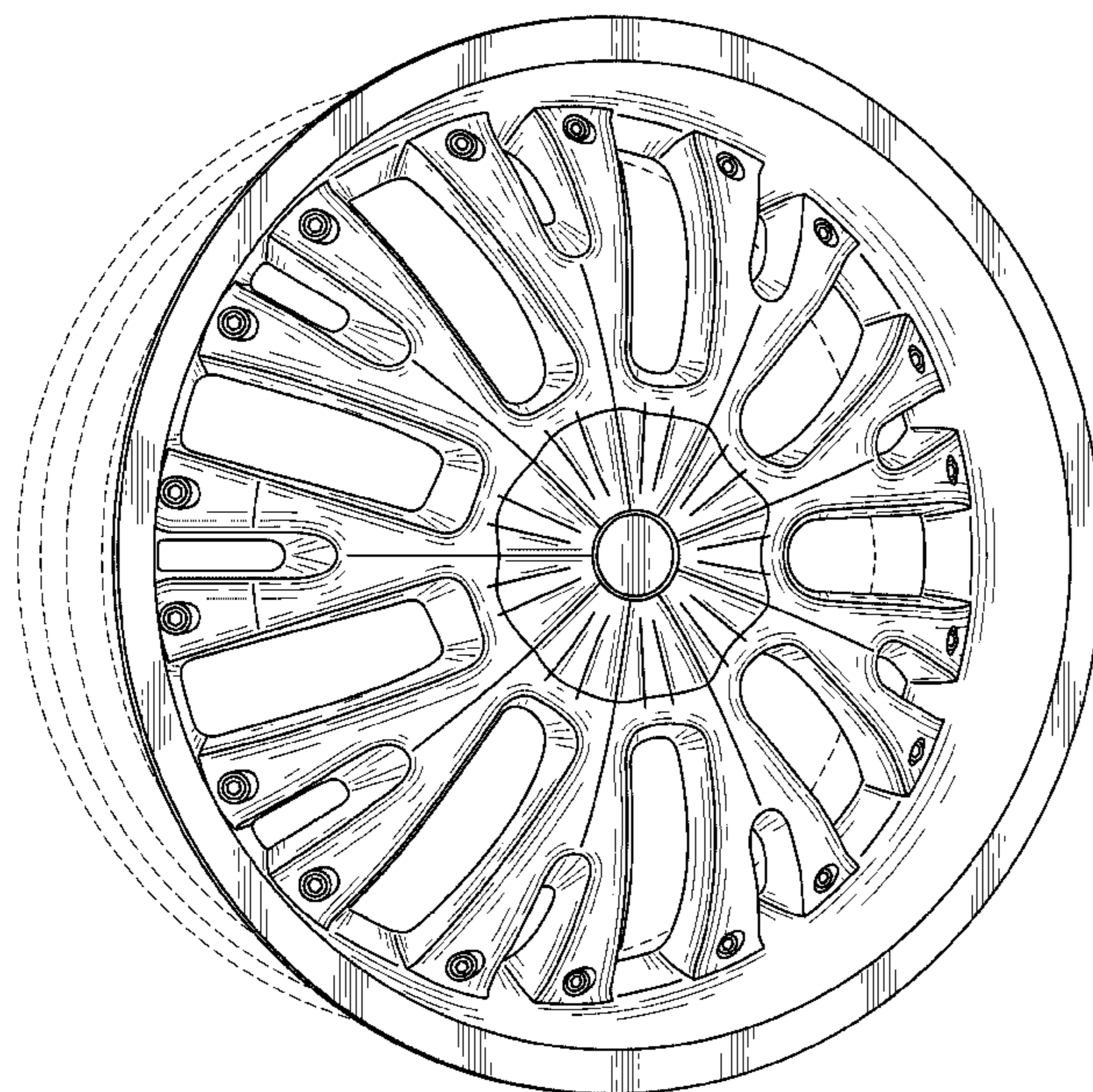
DESCRIPTION

FIG. 1 is a perspective view of a front face of a vehicle wheel showing my new design; and,

FIG. 2 is a front view thereof.

The broken line showing of the rear portion of the wheel is included for the purpose of illustrating environment and forms no part of the claimed design.

1 Claim, 2 Drawing Sheets



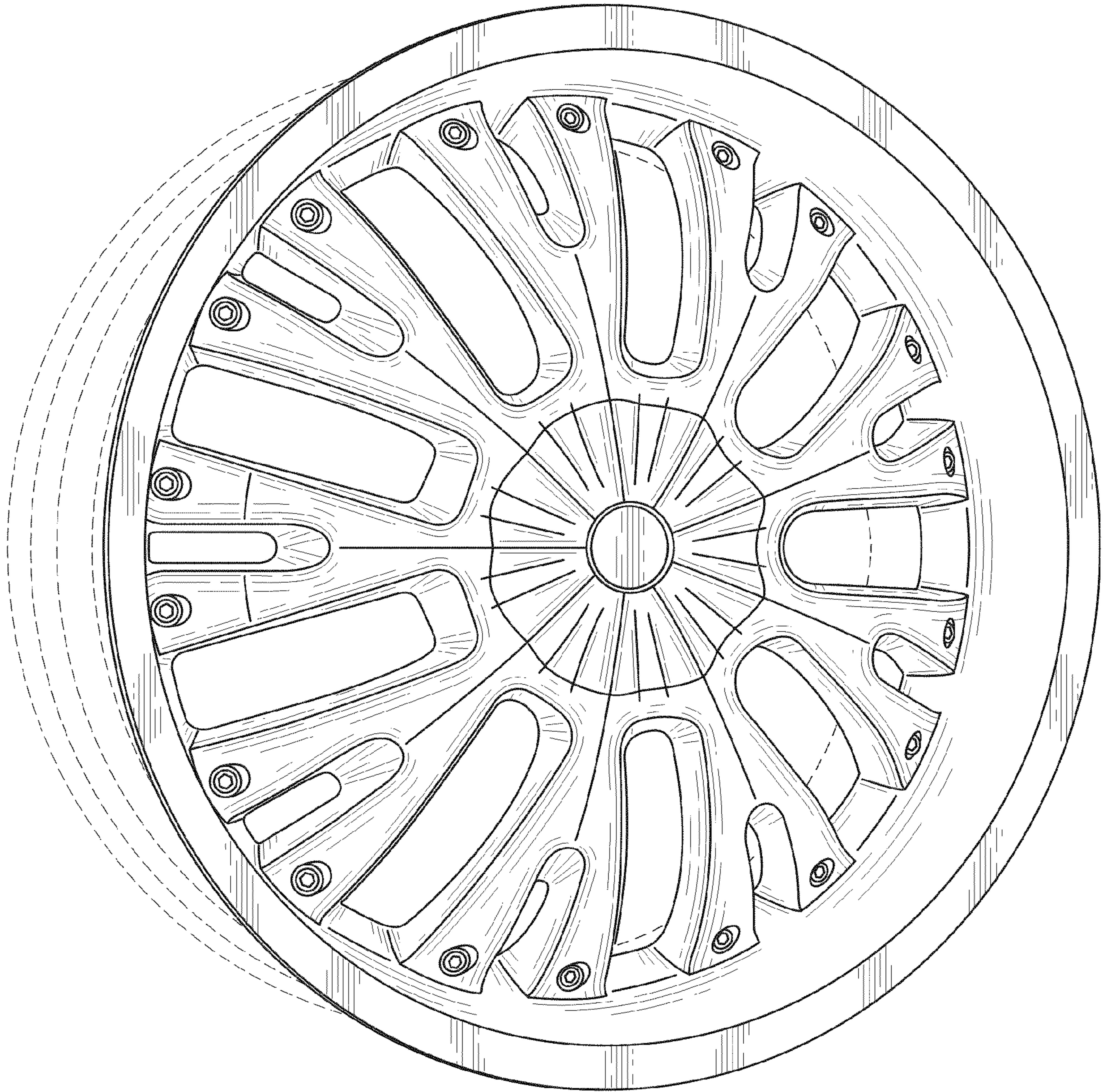


FIG. 1



FIG. 2