



US00D613657S

(12) **United States Design Patent**
Cortes

(10) **Patent No.:** **US D613,657 S**

(45) **Date of Patent:** **** Apr. 13, 2010**

(54) **FRONT FACE OF A VEHICLE WHEEL**

(75) Inventor: **Juan Cortes**, Riverside, CA (US)

(73) Assignee: **Dooray Wheels, Inc.**, Irvine, CA (US)

(**) Term: **14 Years**

(21) Appl. No.: **29/350,321**

(22) Filed: **Nov. 13, 2009**

(51) **LOC (9) Cl.** **12-16**

(52) **U.S. Cl.** **D12/209**

(58) **Field of Classification Search** D12/204-213;
301/37.101, 64.101, 65, 64.201

See application file for complete search history.

(56) **References Cited**

U.S. PATENT DOCUMENTS

D488,420 S *	4/2004	Murkett et al.	D12/209
D492,235 S *	6/2004	Nordmann	D12/211
D522,434 S *	6/2006	Langer	D12/209
D539,204 S *	3/2007	Pollmann	D12/209
D542,728 S *	5/2007	Ichinose	D12/211
D558,118 S *	12/2007	Hueller	D12/211

D567,735 S *	4/2008	Young	D12/209
D587,181 S *	2/2009	Musser	D12/209
D590,757 S *	4/2009	Froehlich	D12/209
D594,801 S *	6/2009	Imai	D12/211
D597,919 S *	8/2009	Atwell	D12/211
D598,834 S *	8/2009	Juergens et al.	D12/209

* cited by examiner

Primary Examiner—Stacia Cadmus

(74) *Attorney, Agent, or Firm*—Blakely Sokoloff Taylor & Zafman LLP

(57) **CLAIM**

The ornamental design for a front face of a vehicle wheel, as shown and described.

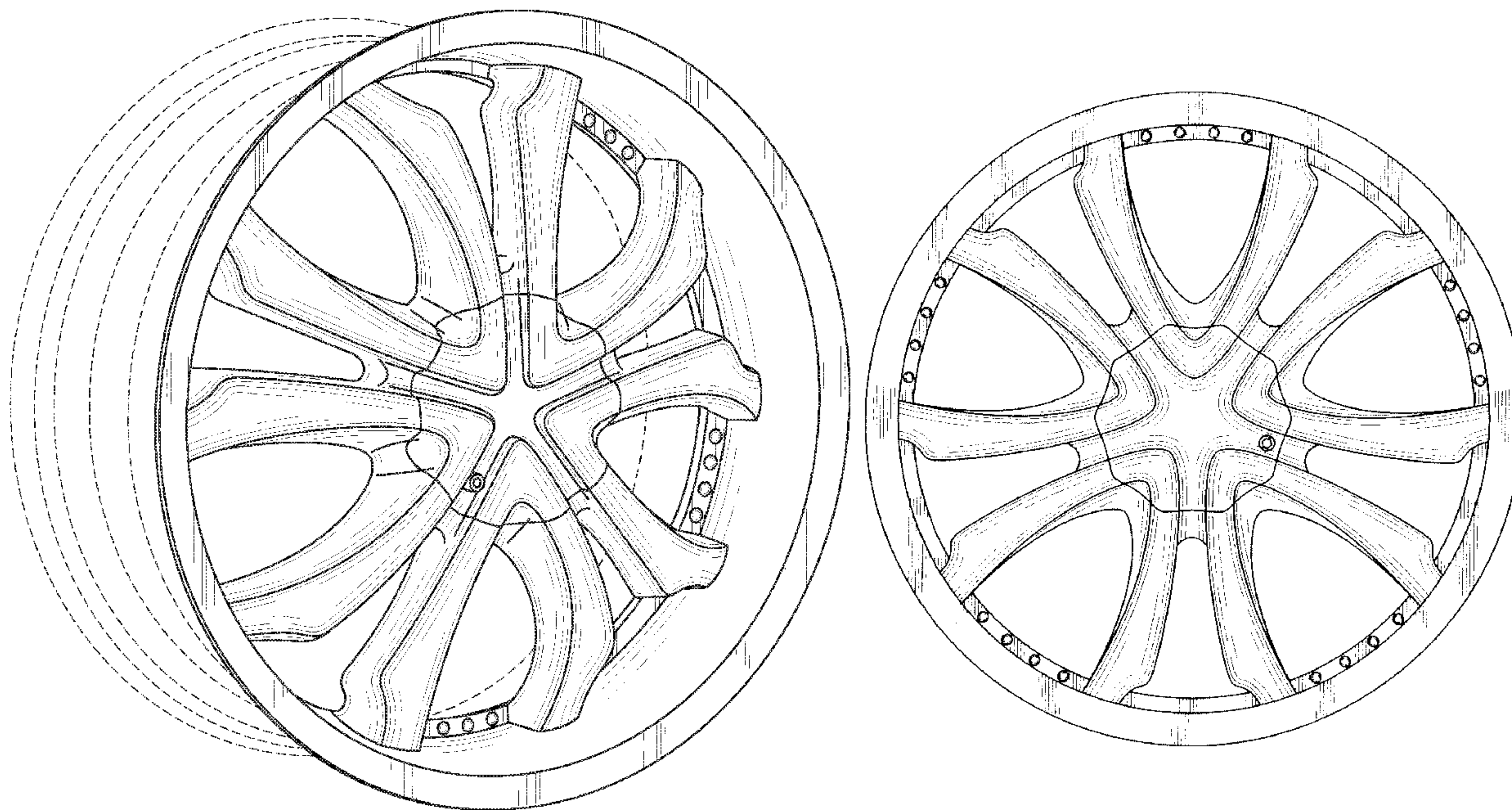
DESCRIPTION

FIG. 1 is a perspective view of a front face of a vehicle wheel showing my new design; and,

FIG. 2 is a front view thereof.

The broken line showing of the rear portion of the wheel is included for the purpose of illustrating environment and forms no part of the claimed design.

1 Claim, 2 Drawing Sheets



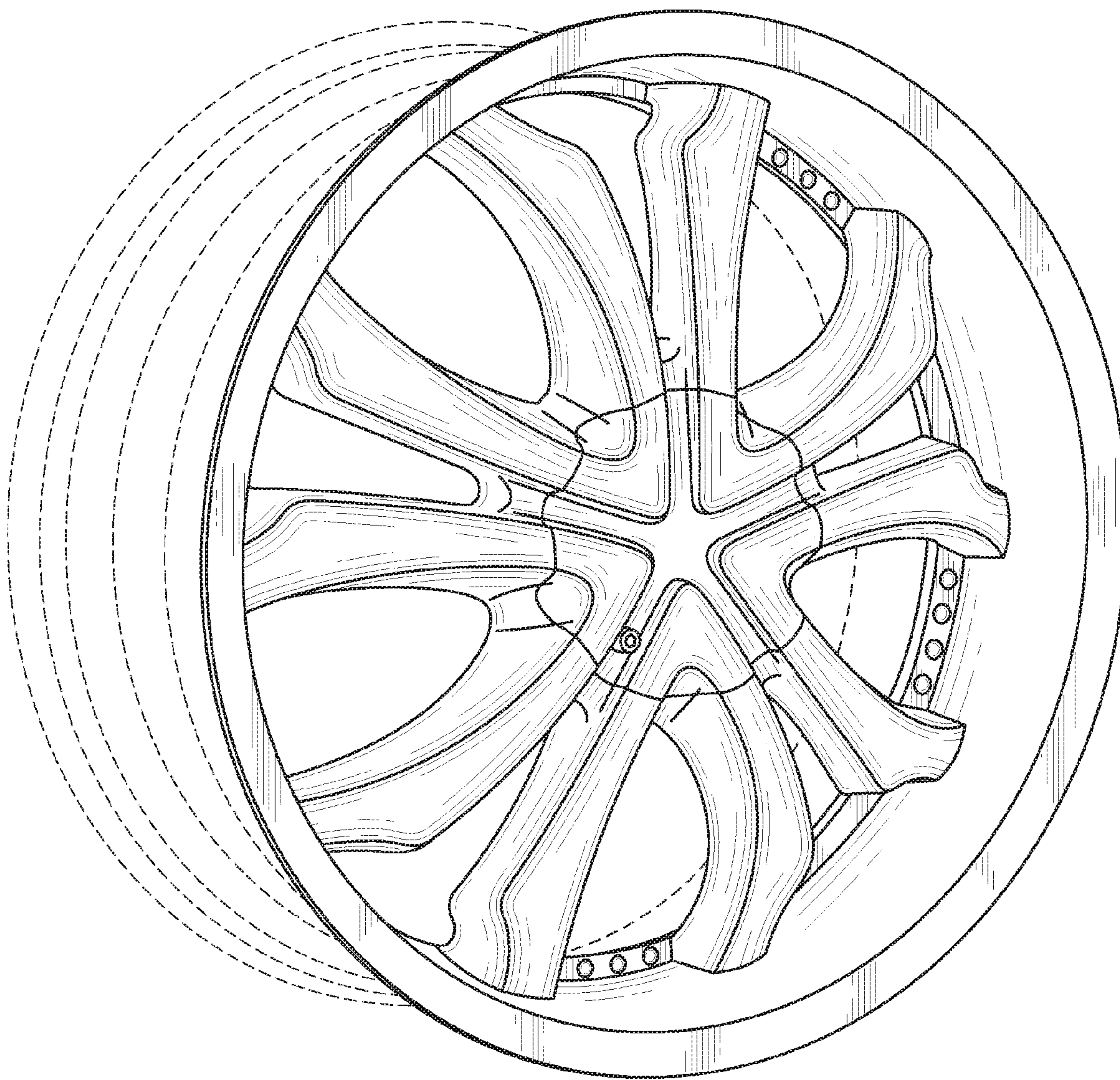


FIG. 1

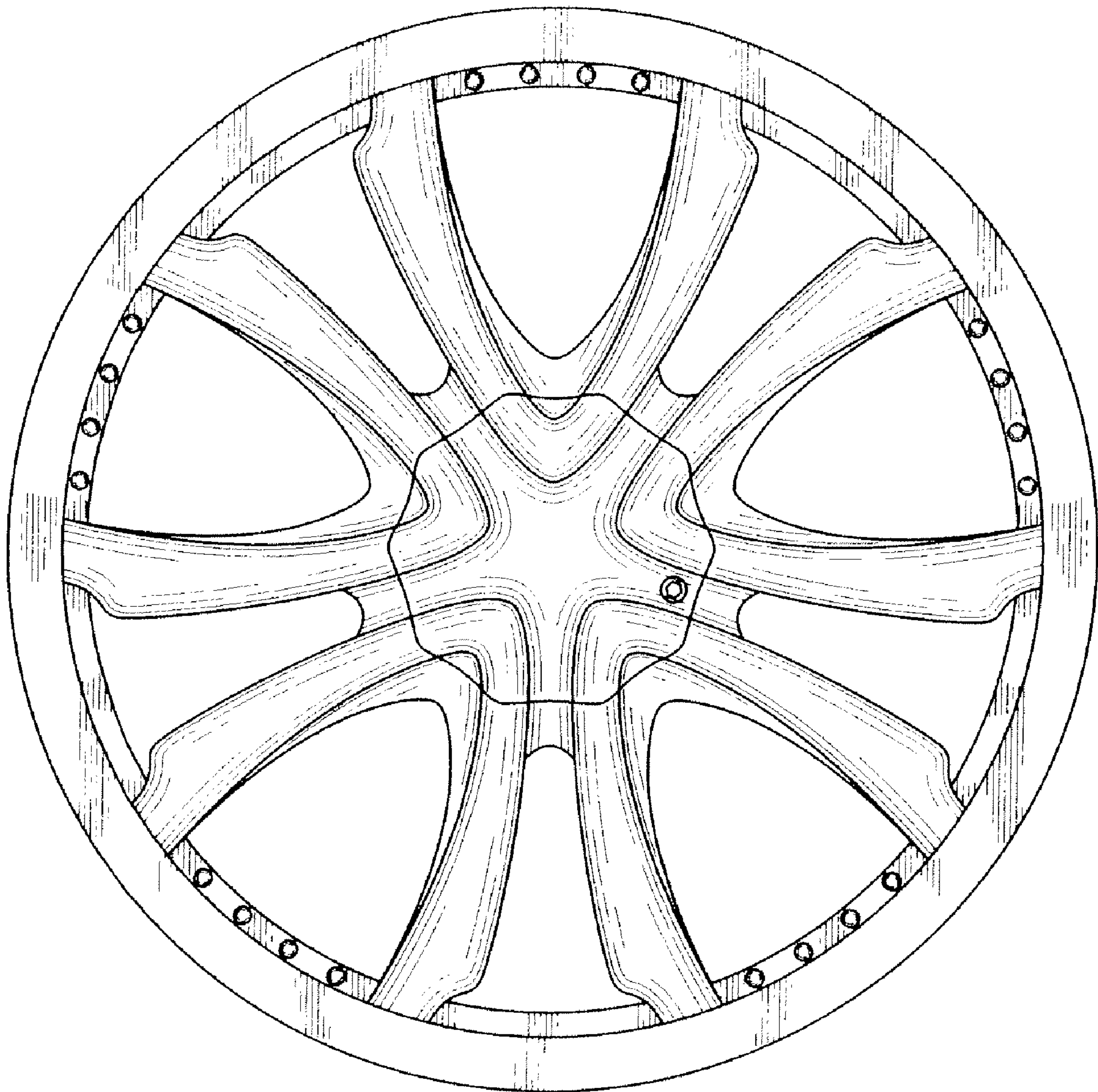


FIG. 2