



US00D613656S

(12) **United States Design Patent**
Antoniadis et al.

(10) **Patent No.:** **US D613,656 S**

(45) **Date of Patent:** **** Apr. 13, 2010**

(54) **WHEEL OR WHEEL COVER**

(75) Inventors: **Apostolos Antoniadis**, Sindelfingen (DE); **Thomas Binder**, Stuttgart (DE); **Stefan Handt**, Stuttgart (DE)

(73) Assignee: **Daimler AG**, Stuttgart (DE)

(**) Term: **14 Years**

(21) Appl. No.: **29/311,594**

(22) Filed: **Apr. 27, 2009**

(30) **Foreign Application Priority Data**

Oct. 28, 2008 (EM) 001029011-0001

(51) **LOC (9) Cl.** **12-16**

(52) **U.S. Cl.** **D12/209**

(58) **Field of Classification Search** D12/204-213;
301/37.101, 64.101, 65, 64.201

See application file for complete search history.

(56) **References Cited**

U.S. PATENT DOCUMENTS

D368,885 S	*	4/1996	Wagner	D12/209
D476,938 S	*	7/2003	Hatori	D12/209
D481,985 S	*	11/2003	Cahyono	D12/211
D497,866 S	*	11/2004	Walbey, Jr.	D12/209
D500,276 S	*	12/2004	Cheng	D12/209

D530,253 S	*	10/2006	Coutts	D12/209
D530,657 S	*	10/2006	Pfeiffer	D12/211
D538,728 S	*	3/2007	Pfeiffer	D12/209
D587,180 S	*	2/2009	Pfeiffer	D12/209
D593,919 S	*	6/2009	Pfeiffer	D12/209
D593,921 S	*	6/2009	Miyazawa	D12/211
D601,074 S	*	9/2009	Buschmann	D12/209

* cited by examiner

Primary Examiner—Stacia Cadmus

(74) *Attorney, Agent, or Firm*—Crowell & Moring LLP

(57) **CLAIM**

The ornamental design for a wheel or wheel cover, as shown and described.

DESCRIPTION

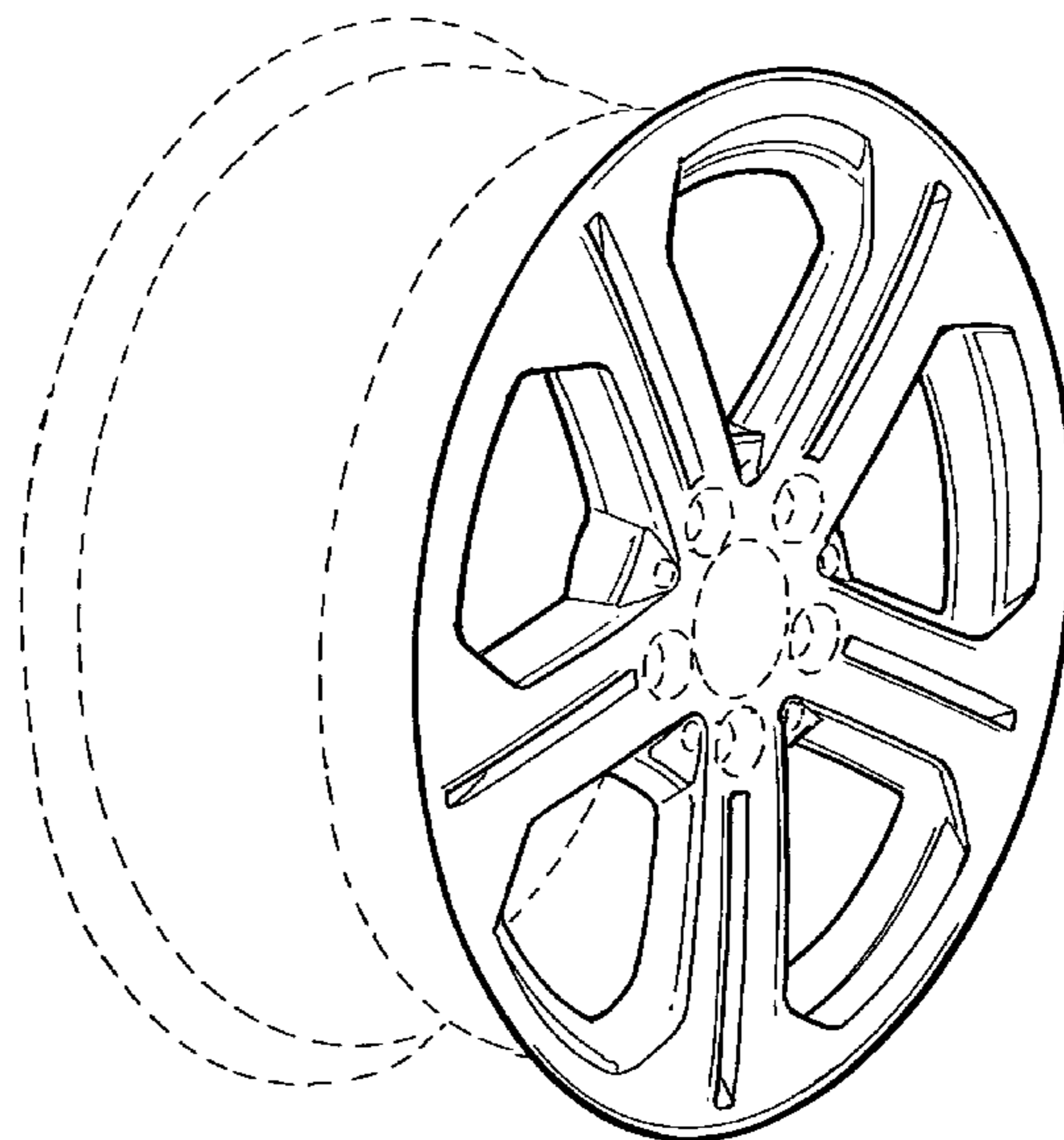
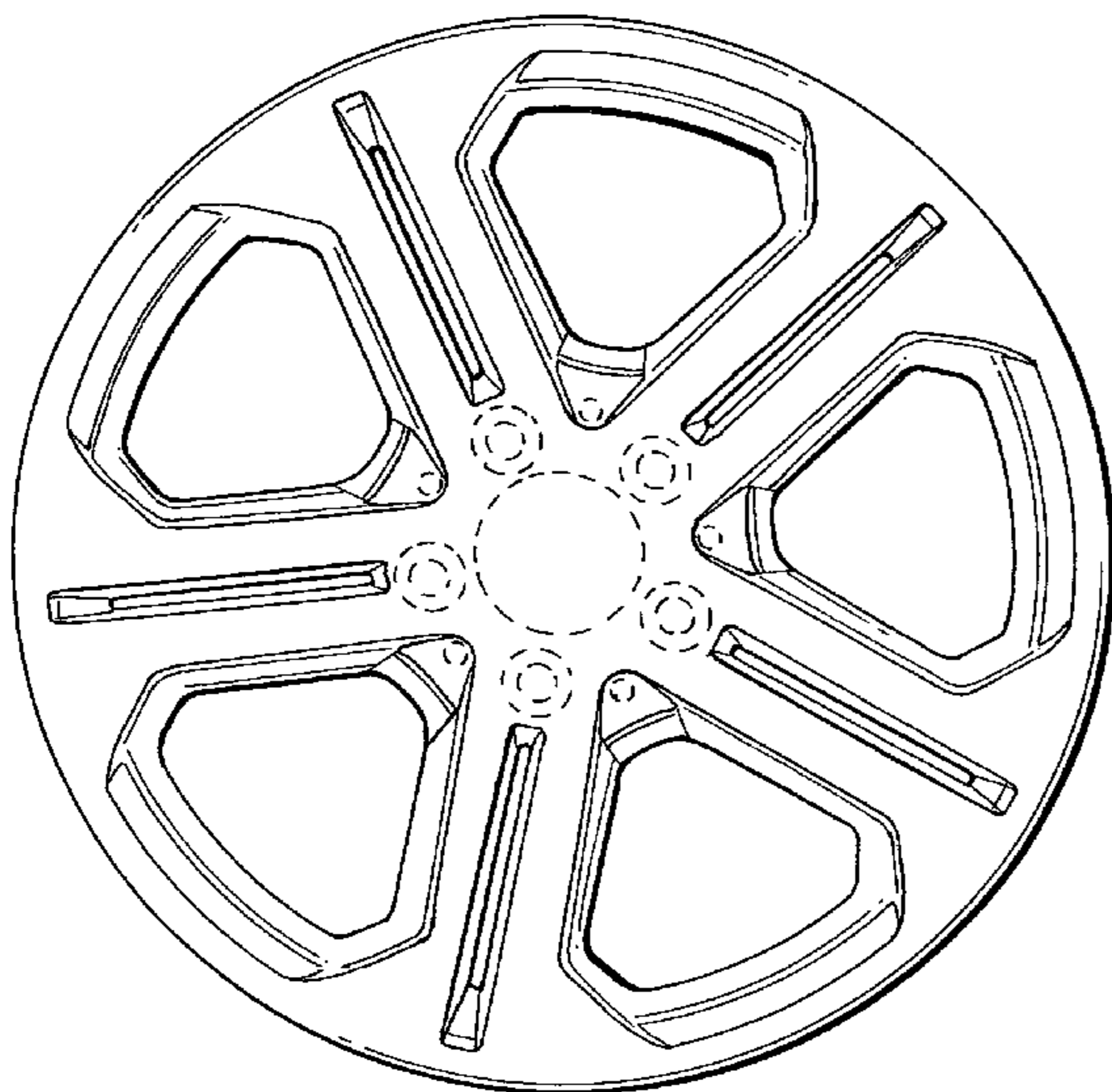
This application contains subject matter related to co-pending U.S. application Ser. No. 29/311,943, filed Aug. 4, 2009 and entitled "Wheel or Wheel Cover."

FIG. 1 is a front view of a wheel or wheel cover according to our novel design; and,

FIG. 2 is a perspective view thereof.

The broken line showing of the rear of the rim and the bolt holes and center hole in the central hub area is included for the purpose of illustrating environment and forms no part of the claimed design.

1 Claim, 1 Drawing Sheet



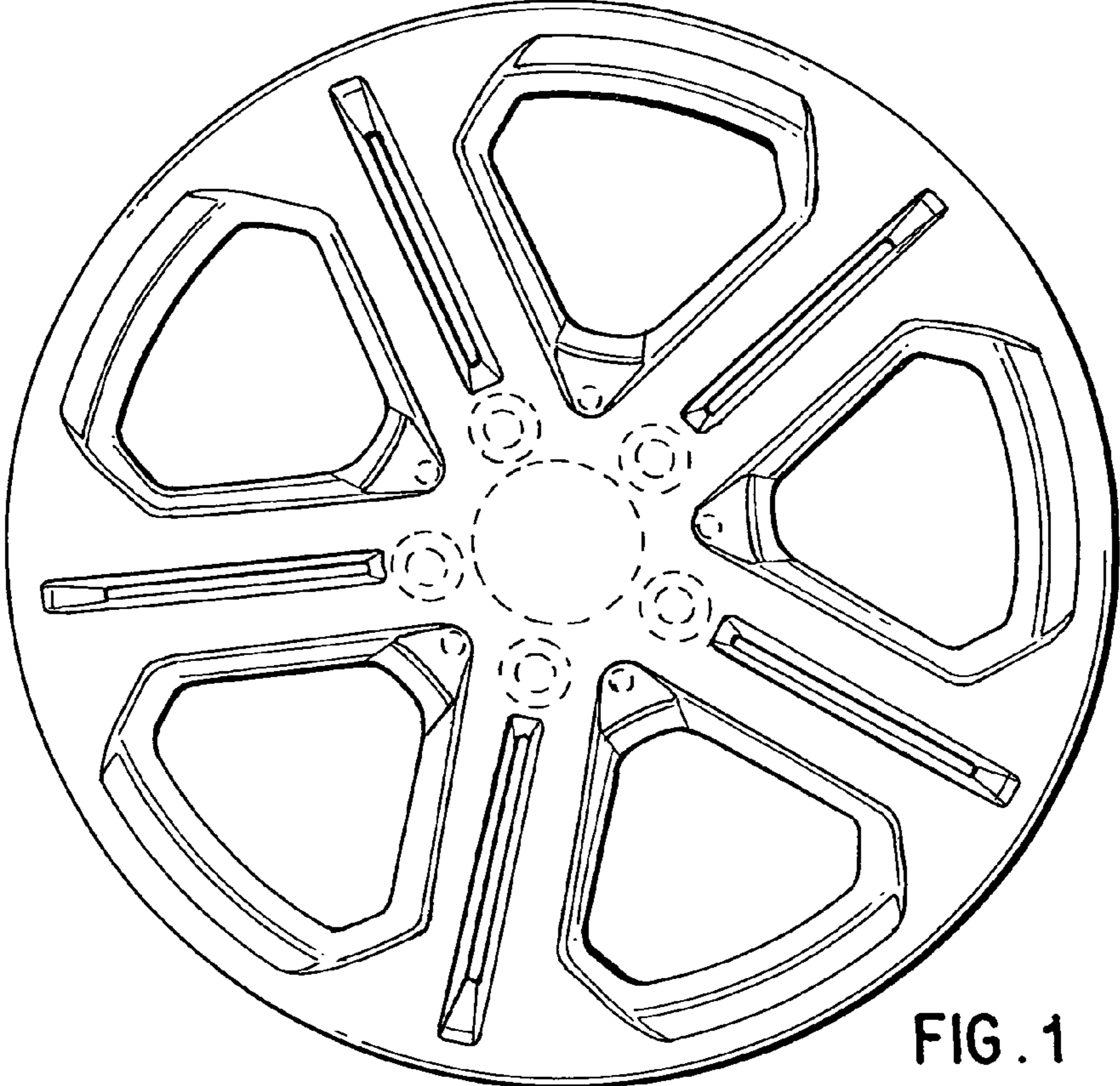


FIG. 1

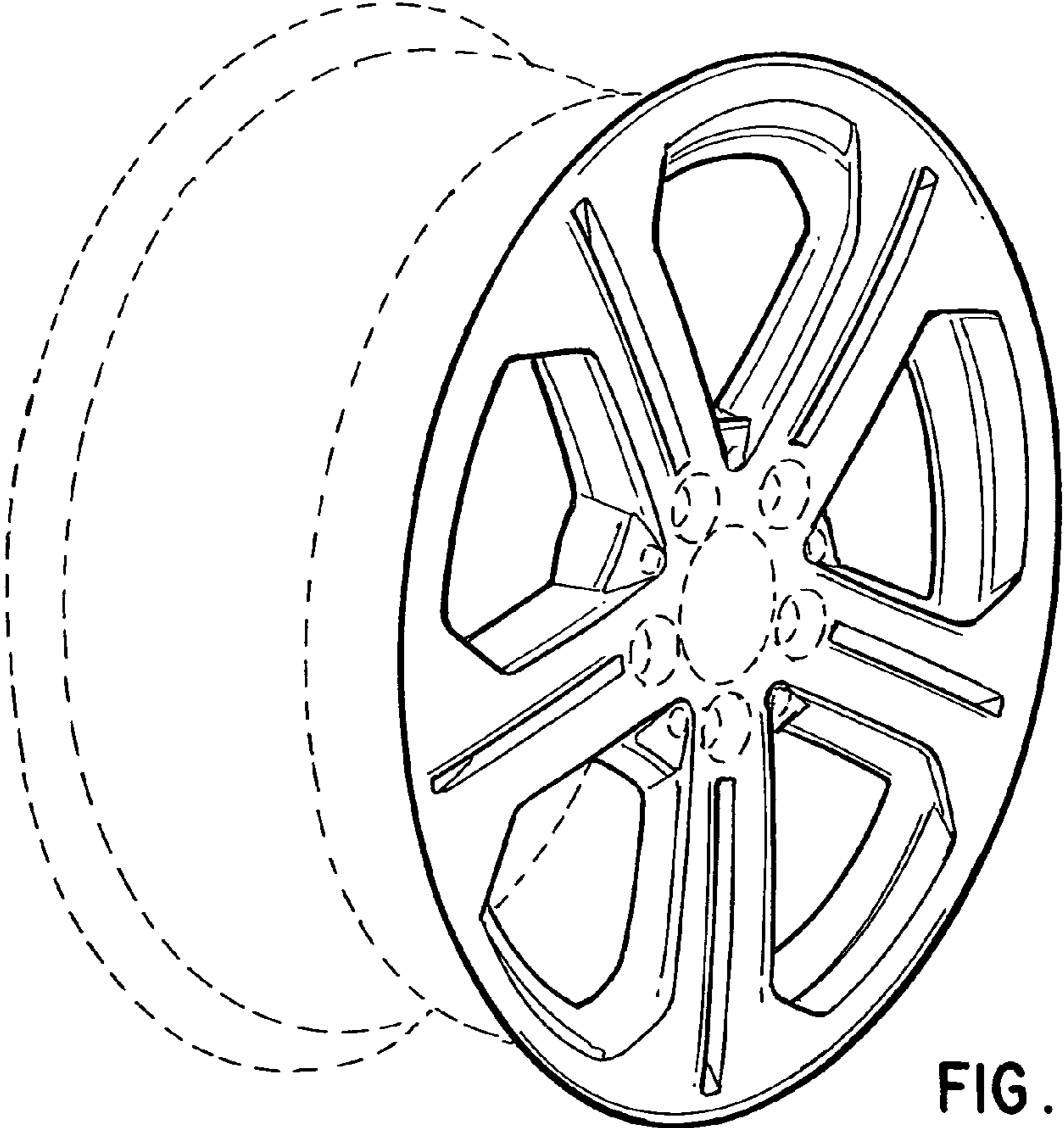


FIG. 2