



US00D613654S

(12) **United States Design Patent**
Money Penny et al.

(10) **Patent No.:** **US D613,654 S**
(45) **Date of Patent:** **** Apr. 13, 2010**

(54) **SPORT AIRCRAFT INSTRUMENT CLUSTER**

(75) Inventors: **Steve Money Penny**, San Diego, CA
(US); **Diego Miralles**, Altadena, CA
(US); **Steen Strand**, Manhattan Beach,
CA (US)

(73) Assignee: **ICON Aircraft, Inc.**, Los Angeles, CA
(US)

(**) Term: **14 Years**

(21) Appl. No.: **29/329,292**

(22) Filed: **Dec. 11, 2008**

(51) **LOC (9) Cl.** **12-16**

(52) **U.S. Cl.** **D12/192**

(58) **Field of Classification Search** D12/192,
D12/415, 195, 345; 180/190; 280/750-752;
296/190.01-190.09, 70; D15/17, 28; D10/46,
D10/98, 102-103

See application file for complete search history.

(56) **References Cited**

U.S. PATENT DOCUMENTS

D499,367 S * 12/2004 Sauter et al. D12/192
6,846,031 B2 * 1/2005 Pandura 296/70
D504,368 S * 4/2005 Hayashi D12/192

D504,370 S * 4/2005 Kraus D12/192
D546,744 S * 7/2007 Fukumoto et al. D12/192
D566,596 S * 4/2008 Day et al. D10/102
D573,517 S * 7/2008 Day et al. D12/192
D573,518 S * 7/2008 Day et al. D12/192
D573,519 S * 7/2008 Day et al. D12/192
D589,388 S * 3/2009 Sauter D10/102

* cited by examiner

Primary Examiner—Caron Veynar

Assistant Examiner—Katrina A Kile

(74) *Attorney, Agent, or Firm*—Michael C. Martensen;
Hogan & Hartson LLP

(57) **CLAIM**

The ornamental design for a sport aircraft instrument cluster,
as shown and described.

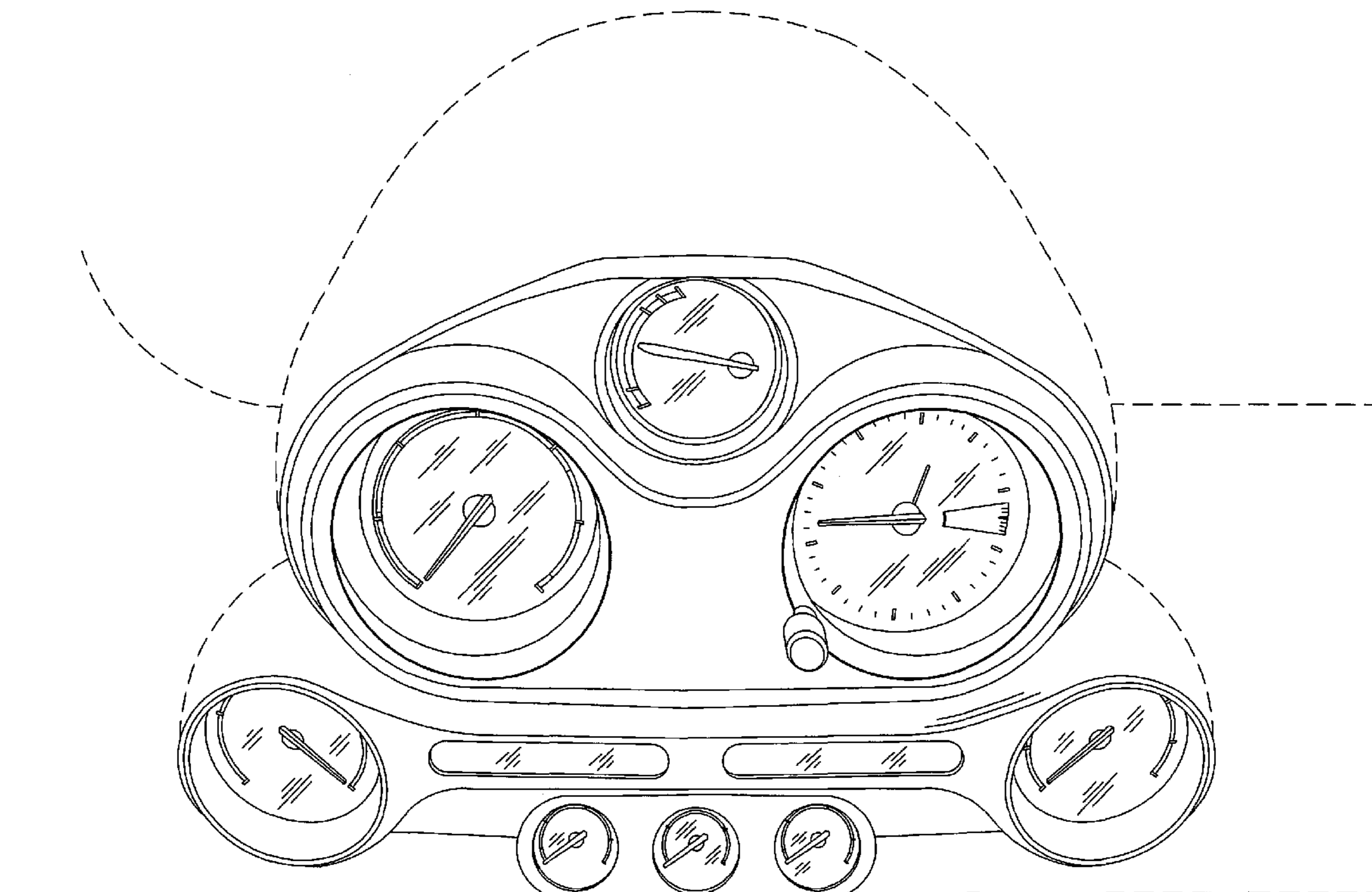
DESCRIPTION

FIG. 1 is a left perspective view of the sport aircraft instru-
ment cluster; and,

FIG. 2 is a front view of the sport aircraft instrument cluster.

The portions of the drawings shown in broken lines indicate
surrounding structure and environment which forms no part
of the claimed design.

1 Claim, 2 Drawing Sheets



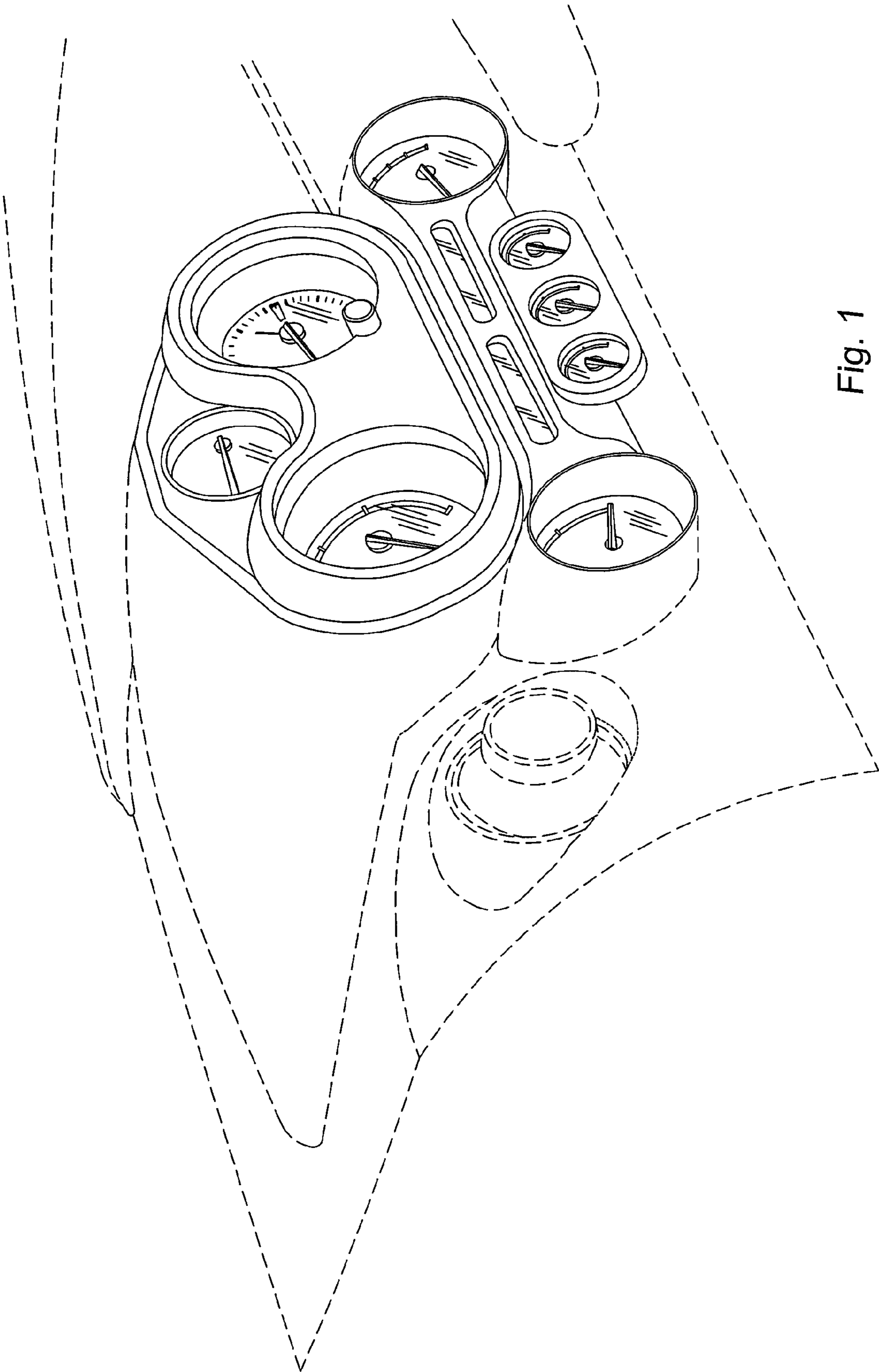


Fig. 1

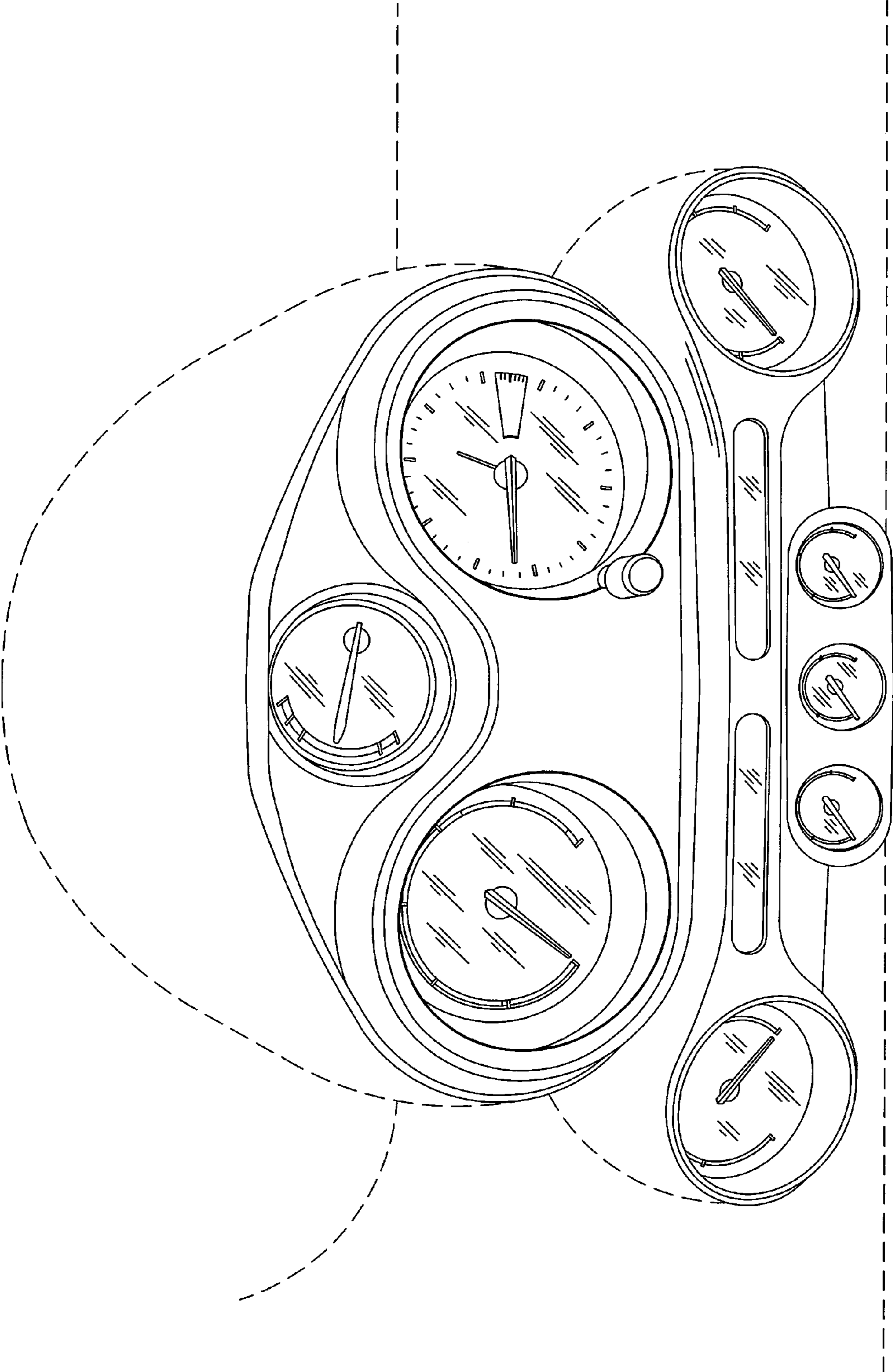


Fig. 2