



US00D613653S

(12) **United States Design Patent**  
**Money Penny et al.**

(10) **Patent No.:** **US D613,653 S**  
(45) **Date of Patent:** **\*\* Apr. 13, 2010**

(54) **SPORT AIRCRAFT INSTRUMENT CLUSTER**

(75) Inventors: **Steve Money Penny**, San Diego, CA  
(US); **Diego Miralles**, Altadena, CA  
(US); **Steen Strand**, Manhattan Beach,  
CA (US)

(73) Assignee: **ICON Aircraft, Inc.**, Los Angeles, CA  
(US)

(\*\*) Term: **14 Years**

(21) Appl. No.: **29/329,286**

(22) Filed: **Dec. 11, 2008**

(51) **LOC (9) Cl.** ..... **12-16**

(52) **U.S. Cl.** ..... **D12/192**

(58) **Field of Classification Search** ..... D12/192,  
D12/415, 195, 345; 180/190; 280/750-752;  
296/190.01-190.09, 70; D15/17, 28; D10/46,  
D10/98, 102-103

See application file for complete search history.

(56) **References Cited**

**U.S. PATENT DOCUMENTS**

D449,026 S \* 10/2001 Tsay et al. .... D12/192

D503,367 S \* 3/2005 Pfeiffer ..... D12/192  
7,021,691 B1 \* 4/2006 Schmidt et al. .... 296/70  
D535,926 S \* 1/2007 Anderson et al. .... D12/192  
7,168,749 B2 \* 1/2007 Schmidt et al. .... 296/24.34  
D586,278 S \* 2/2009 Yu ..... D12/192

\* cited by examiner

*Primary Examiner*—Caron Veynar

*Assistant Examiner*—Katrina A Kile

(74) *Attorney, Agent, or Firm*—Michael C. Martensen;  
Hogan & Hartson LLP

(57) **CLAIM**

The ornamental design for a sport aircraft instrument cluster,  
as shown and described.

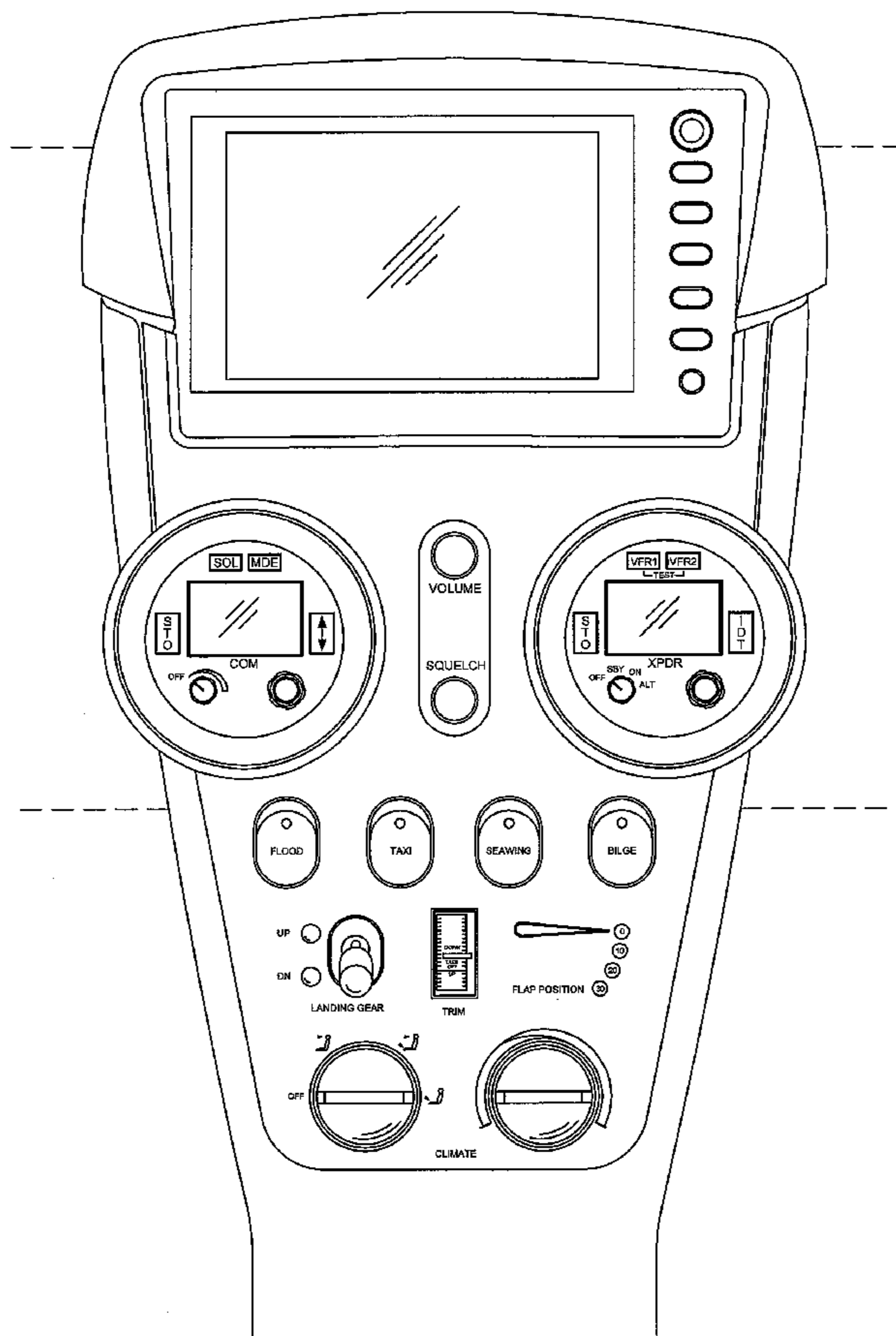
**DESCRIPTION**

FIG. 1 is a left perspective view of the sport aircraft instru-  
ment cluster; and,

FIG. 2 is a front view of the sport aircraft instrument cluster.

The portions of the drawings shown in broken lines indicate  
surrounding structure and environment which forms no part  
of the claimed design.

**1 Claim, 2 Drawing Sheets**



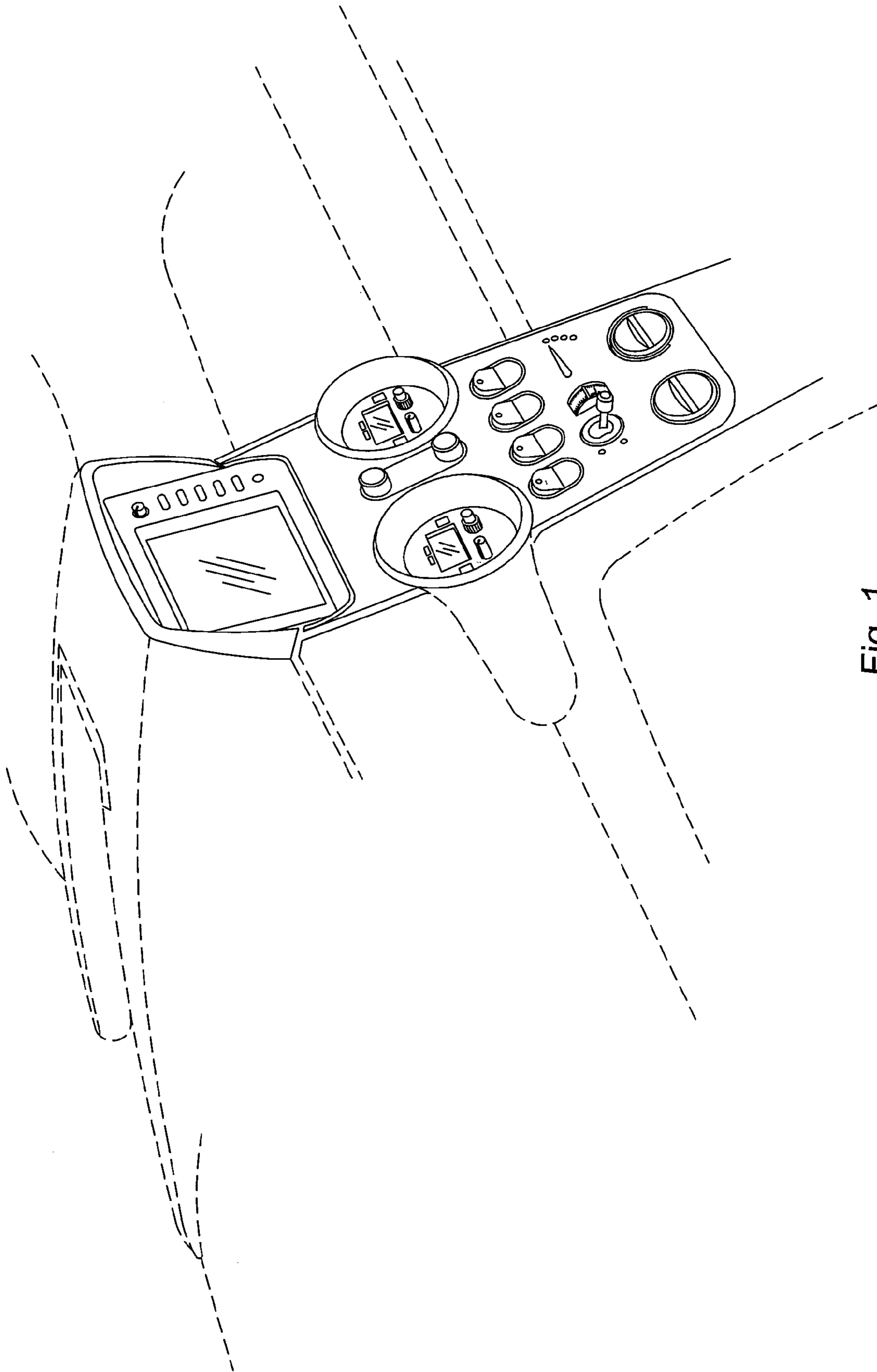


Fig. 1

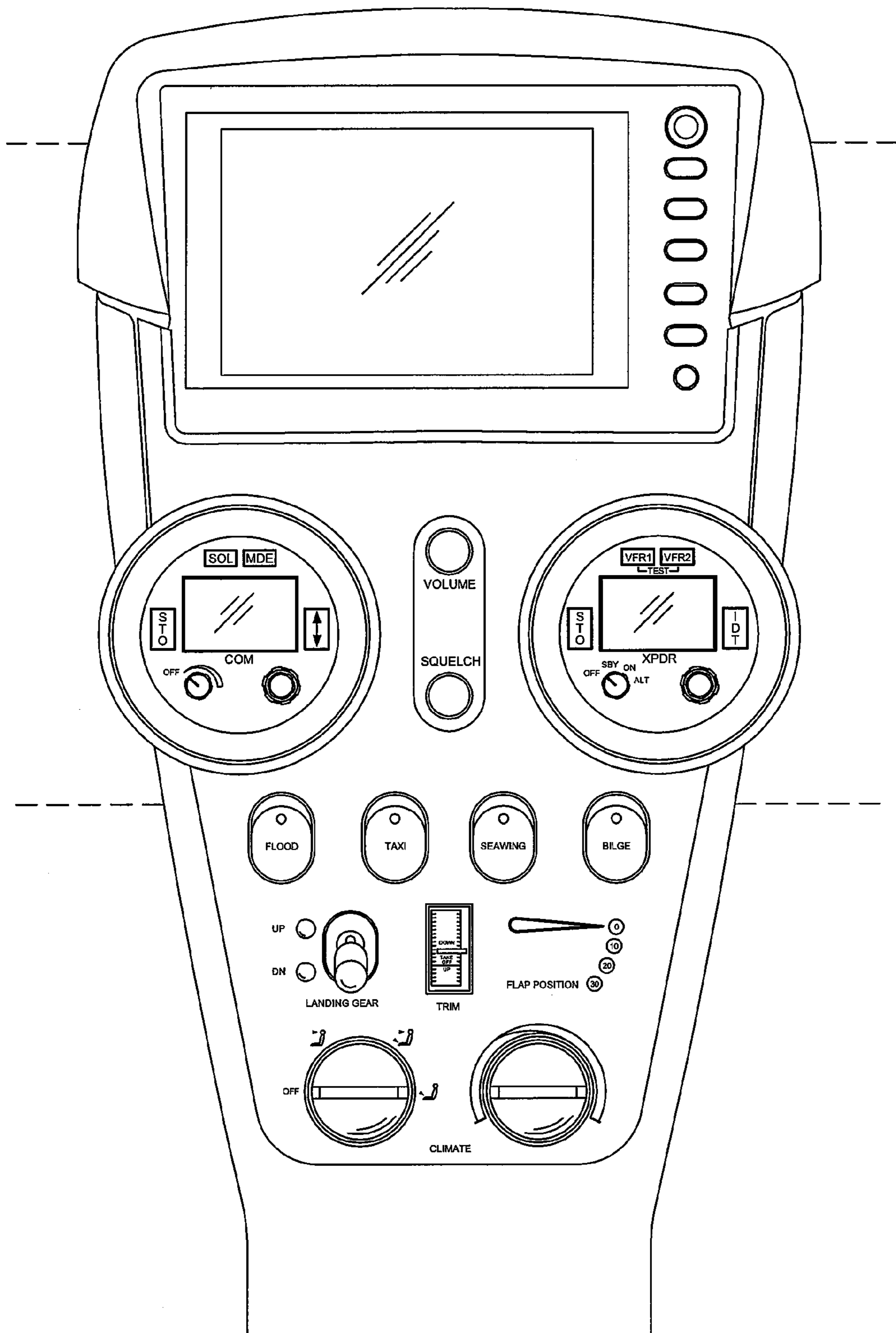


Fig. 2