



US00D613651S

(12) **United States Design Patent**
Gisbert

(10) **Patent No.:** **US D613,651 S**

(45) **Date of Patent:** **** Apr. 13, 2010**

(54) **BICYCLE HANDLEBAR**

(75) Inventor: **Inigo Gisbert**, Taichung Hsien (TW)

(73) Assignee: **Tien Hsin Industries Co., Ltd.**,
Taichung Hsien (TW)

(**) Term: **14 Years**

(21) Appl. No.: **29/334,257**

(22) Filed: **Mar. 23, 2009**

(51) **LOC (9) Cl.** **12-11**

(52) **U.S. Cl.** **D12/178**

(58) **Field of Classification Search** D12/178,
D12/111; 74/551.1-551.9

See application file for complete search history.

(56) **References Cited**

U.S. PATENT DOCUMENTS

6,003,405 A * 12/1999 Giard 74/551.3

D499,055 S * 11/2004 Chiang et al. D12/178
2005/0109151 A1 * 5/2005 Chiang et al. 74/551.1

* cited by examiner

Primary Examiner—Adir Aronovich
Assistant Examiner—Linda G. Brooks

(57) **CLAIM**

The ornamental design for a bicycle handlebar, as shown and described.

DESCRIPTION

FIG. 1 is a perspective view of a bicycle handlebar showing my new design;

FIG. 2 is a front elevational view thereof;

FIG. 3 is a rear elevational view thereof;

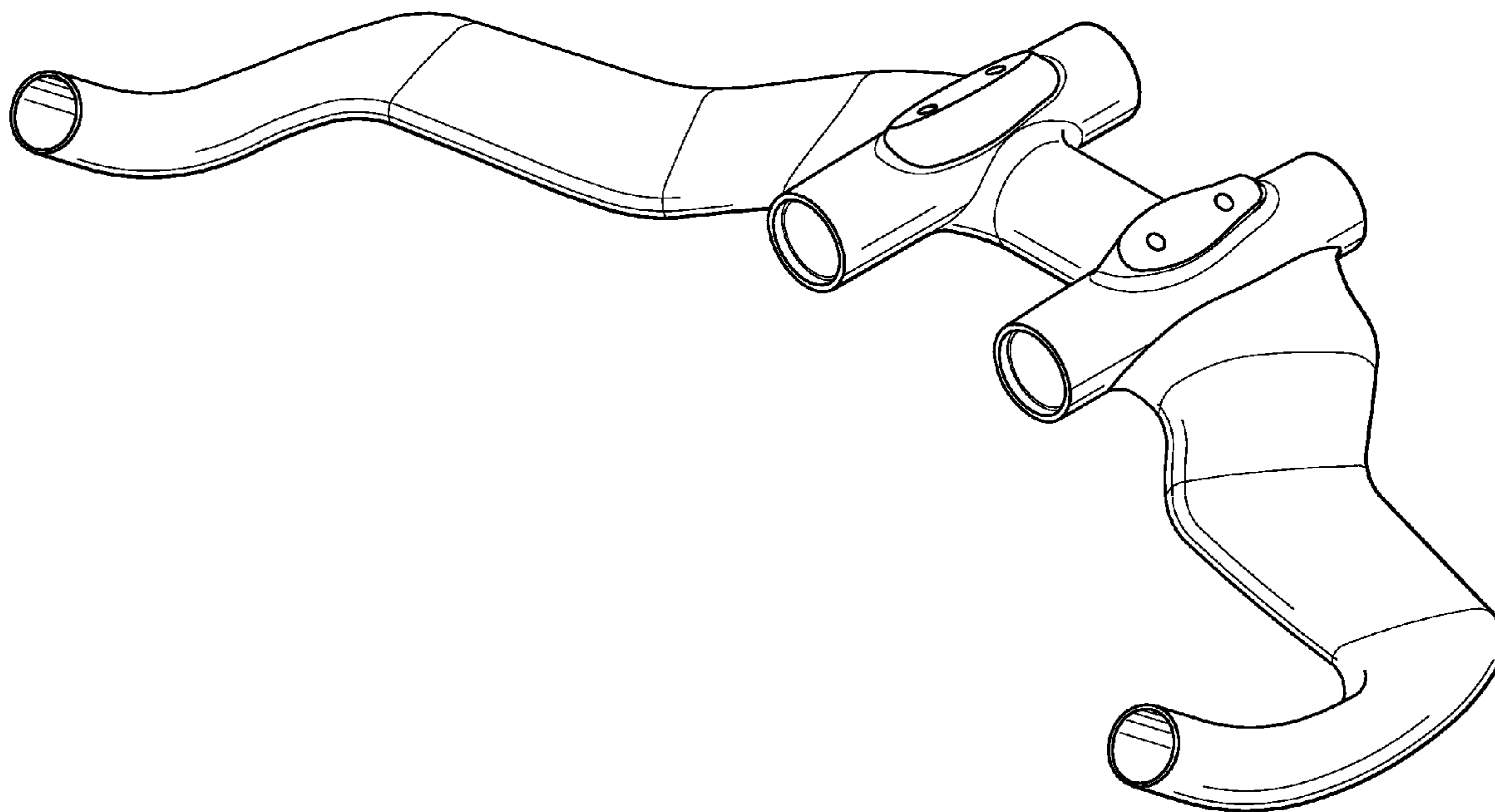
FIG. 4 is a left side view thereof;

FIG. 5 is a right side view thereof;

FIG. 6 is a top plan view thereof; and,

FIG. 7 is a bottom plan view thereof.

1 Claim, 5 Drawing Sheets



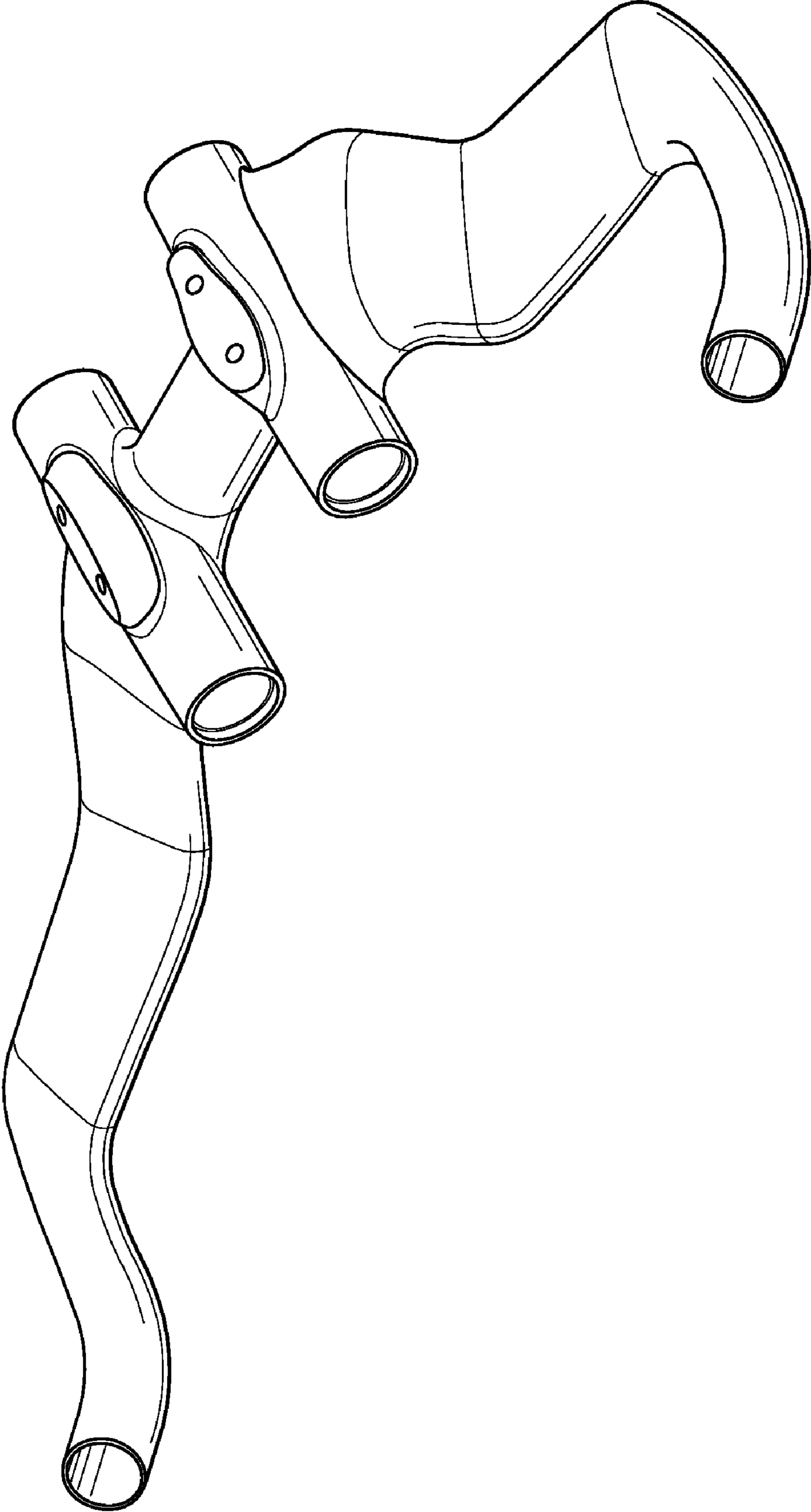


FIG. 1

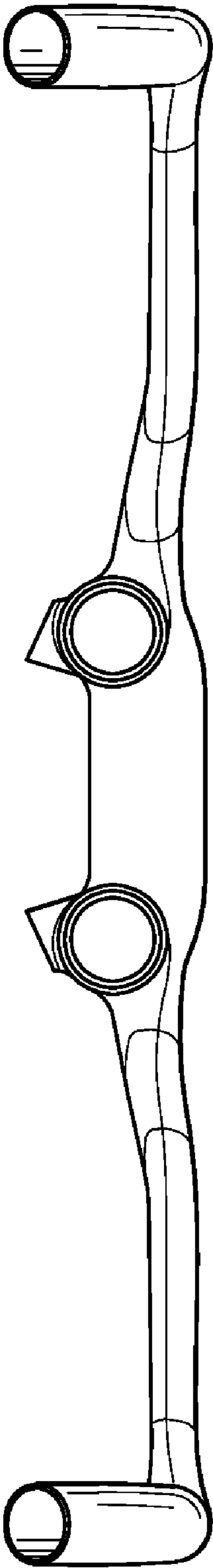


FIG. 2

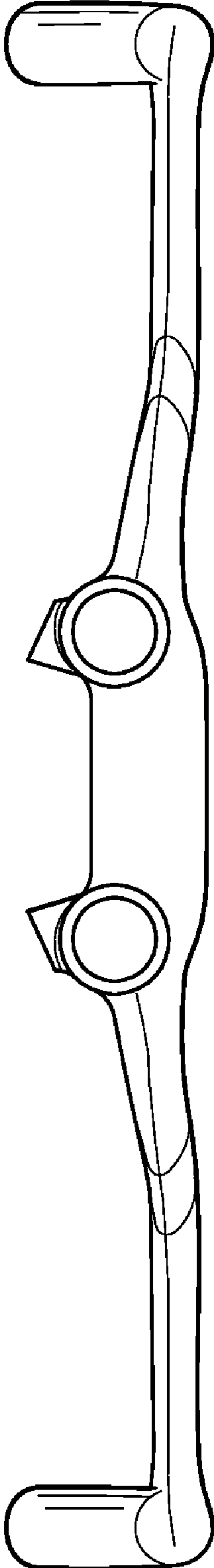


FIG. 3

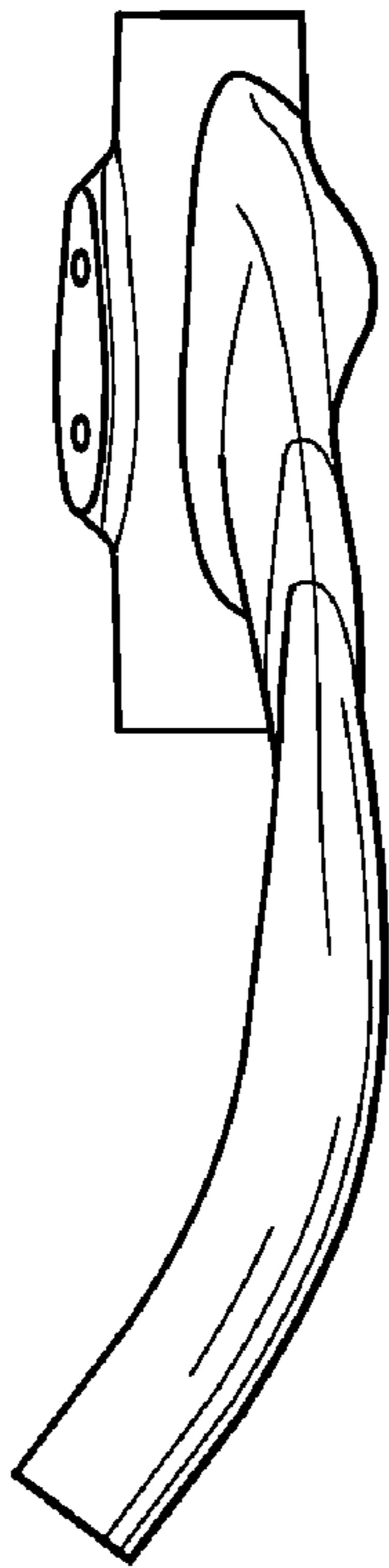


FIG. 4

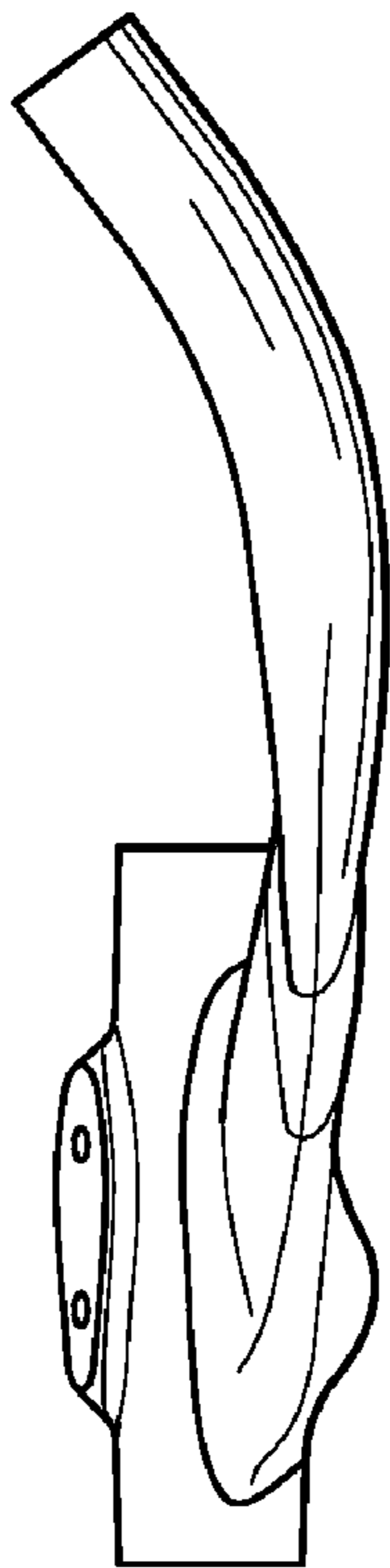


FIG. 5

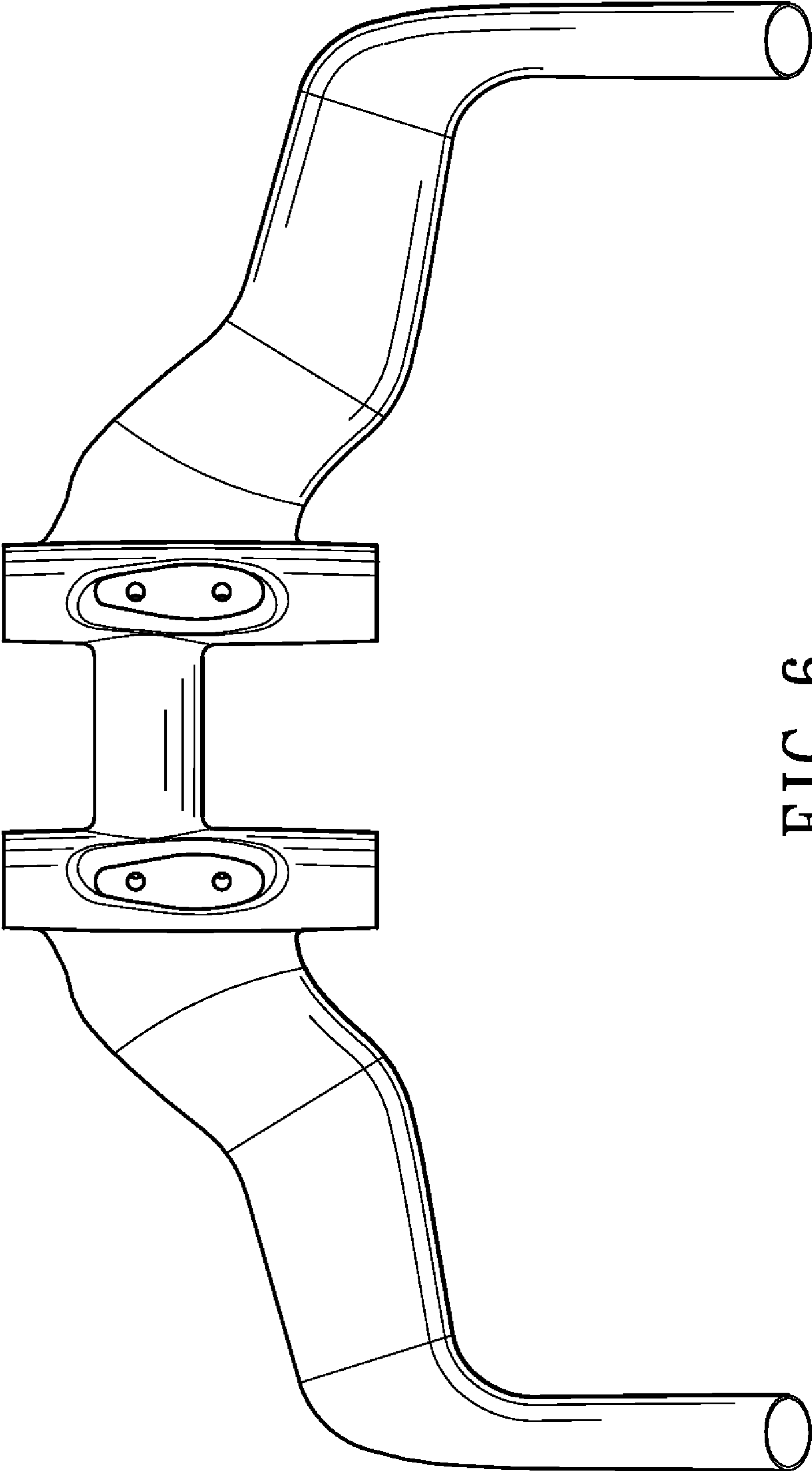


FIG. 6

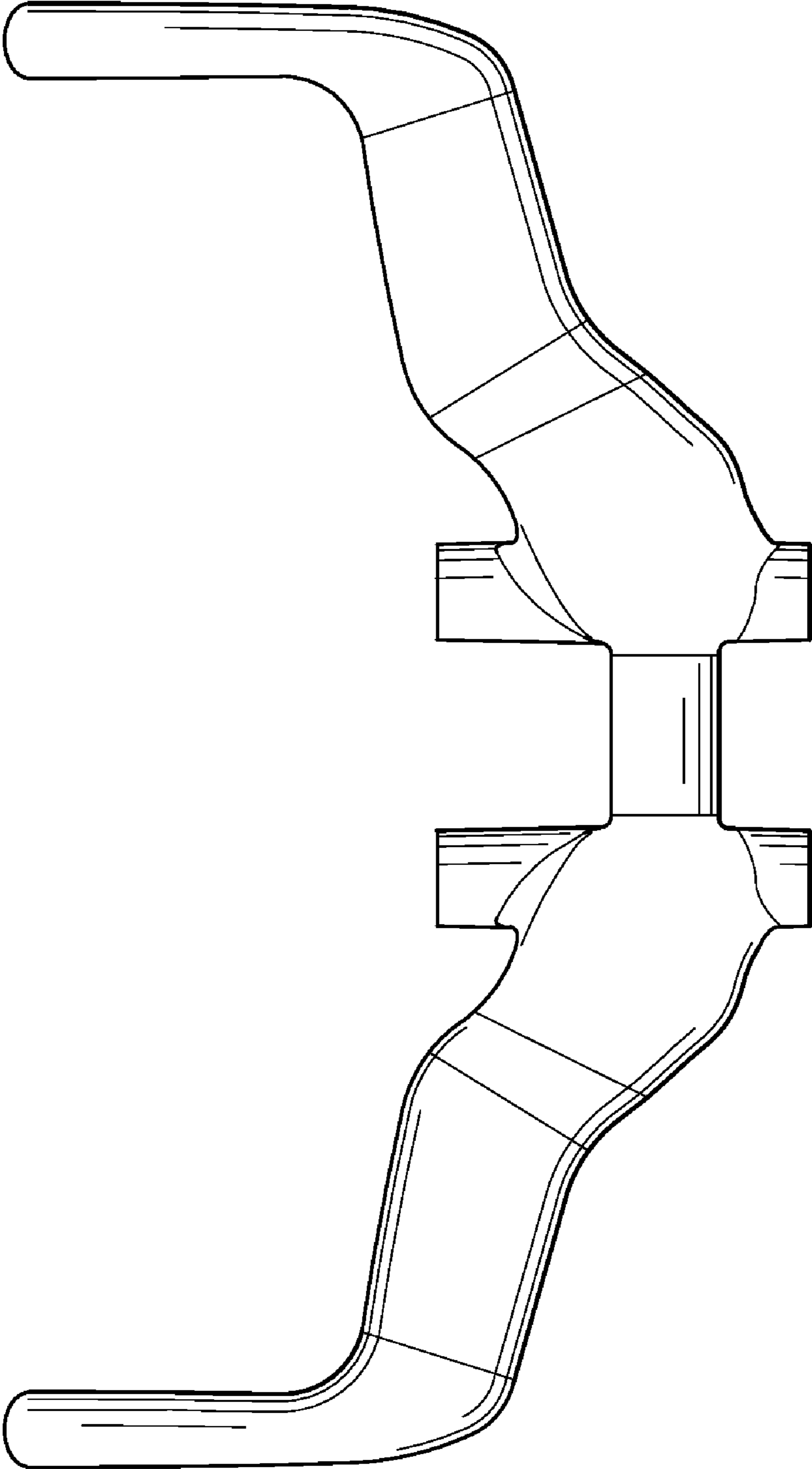


FIG. 7