



US00D613649S

(12) **United States Design Patent**
Wong

(10) **Patent No.:** **US D613,649 S**
(45) **Date of Patent:** **** Apr. 13, 2010**

(54) **AUTOMOTIVE FRONT GRILL**

(76) **Inventor:** **Tak Chi Wong**, 207 S. 6th Ave., La Puente, CA (US) 91746

(**) **Term:** **14 Years**

(21) **Appl. No.:** **29/345,176**

(22) **Filed:** **Oct. 12, 2009**

(51) **LOC (9) Cl.** **12-16**

(52) **U.S. Cl.** **D12/163; D26/28**

(58) **Field of Classification Search** D12/163,
D12/171, 196, 216, 90-92, 86; 180/68.1,
180/68.6; 296/193.11; D26/28-36; 362/459-468,
362/475-478, 485-487

See application file for complete search history.

(56) **References Cited**

U.S. PATENT DOCUMENTS

D488,111 S *	4/2004	Elwell	D12/163
D488,748 S *	4/2004	Elwell	D12/163
D489,298 S *	5/2004	Elwell	D12/163
D494,895 S *	8/2004	Marchese et al.	D12/163

D590,525 S *	4/2009	Yang	D26/28
D592,333 S *	5/2009	Hsu	D26/28
D593,461 S *	6/2009	Kouzai	D12/163
D598,585 S *	8/2009	Blasi	D26/28
D605,566 S *	12/2009	Wong	D12/163
D607,785 S *	1/2010	Walter et al.	D12/163

* cited by examiner

Primary Examiner—Melody N Brown

(57) **CLAIM**

The ornamental design for an automotive front grill, as shown and described.

DESCRIPTION

FIG. 1 is a perspective view of an automotive front grill showing my new design;

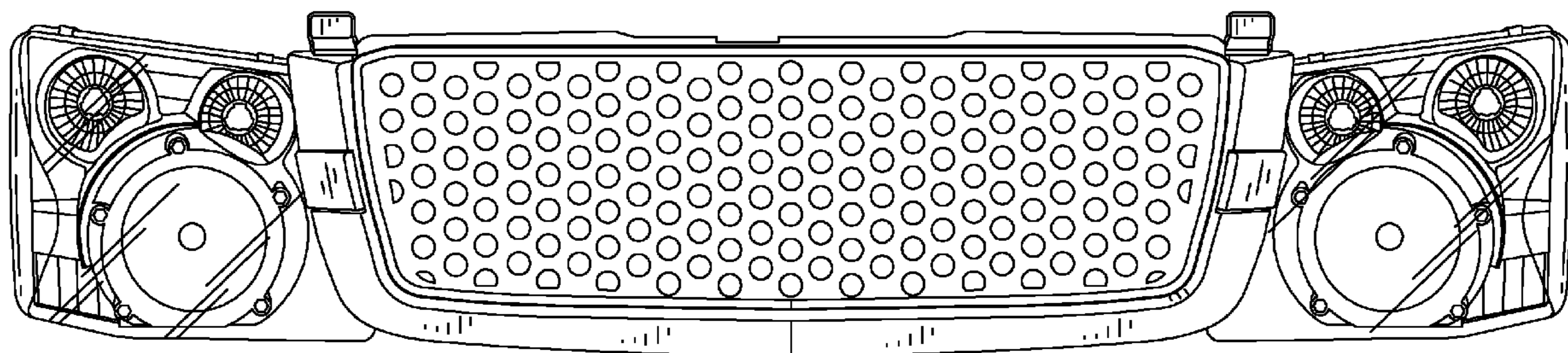
FIG. 2 is a left side elevational view thereof;

FIG. 3 is a top plan view thereof;

FIG. 4 is a front elevational view thereof; and,

FIG. 5 is a bottom plan view thereof.

1 Claim, 2 Drawing Sheets



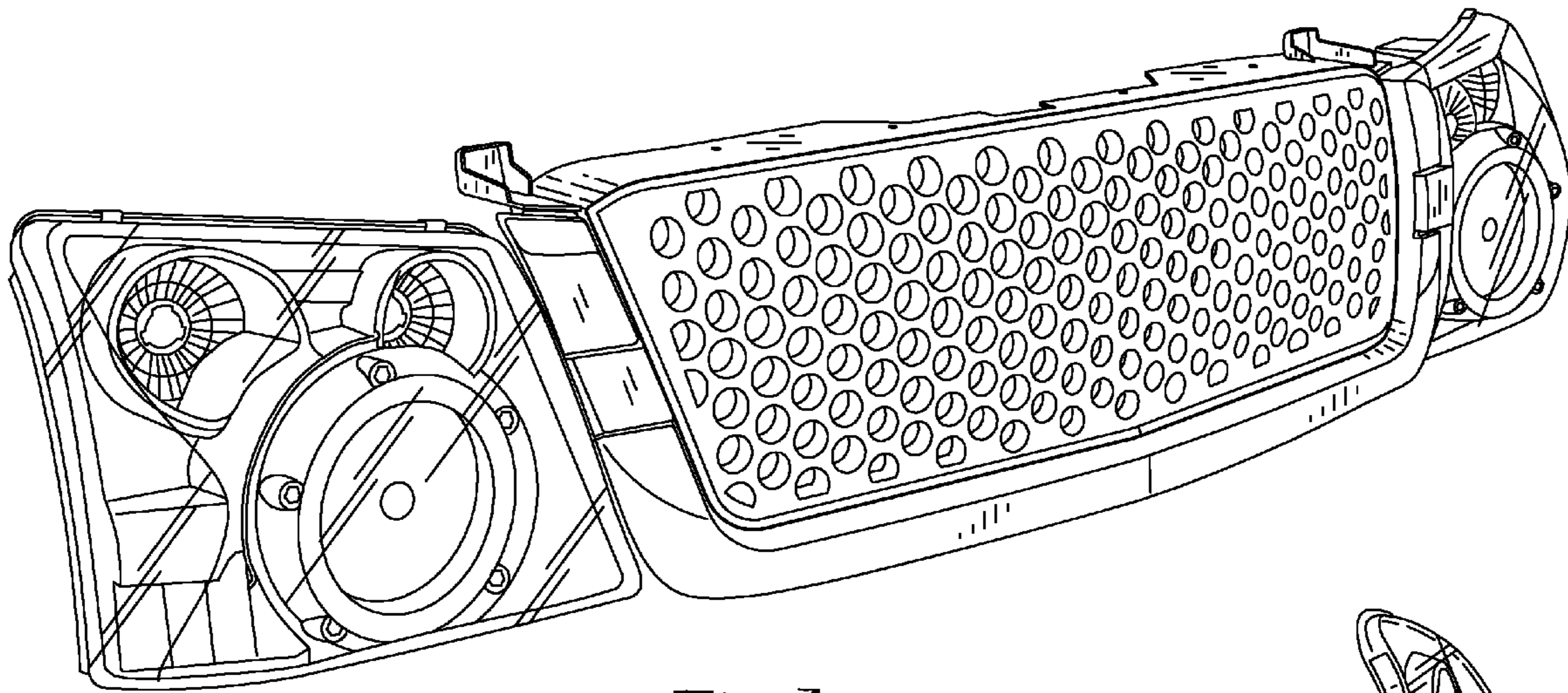


Fig. 1

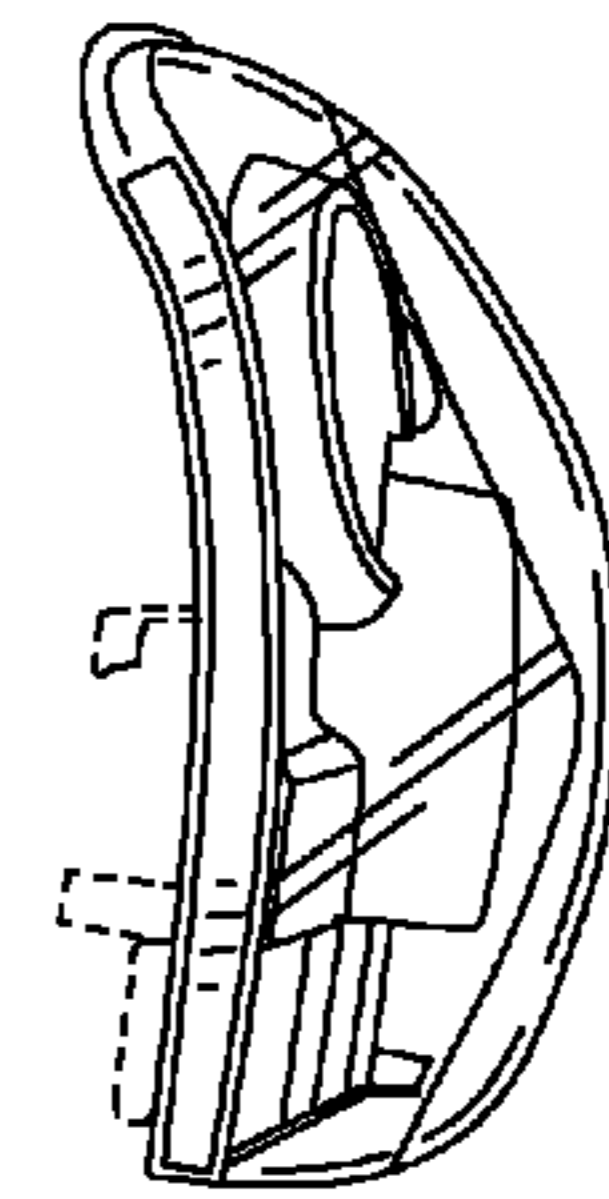


Fig. 2

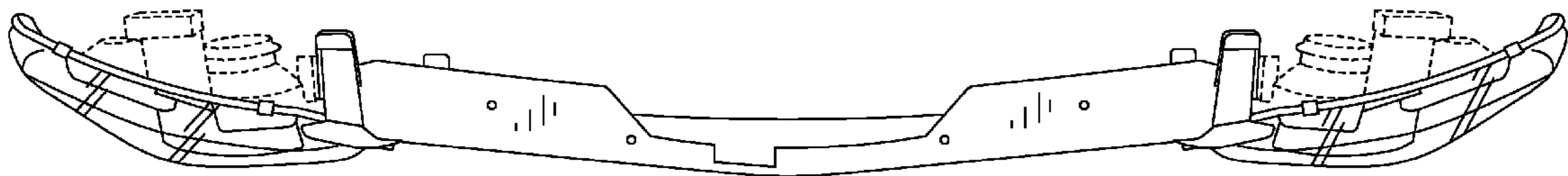


Fig. 3

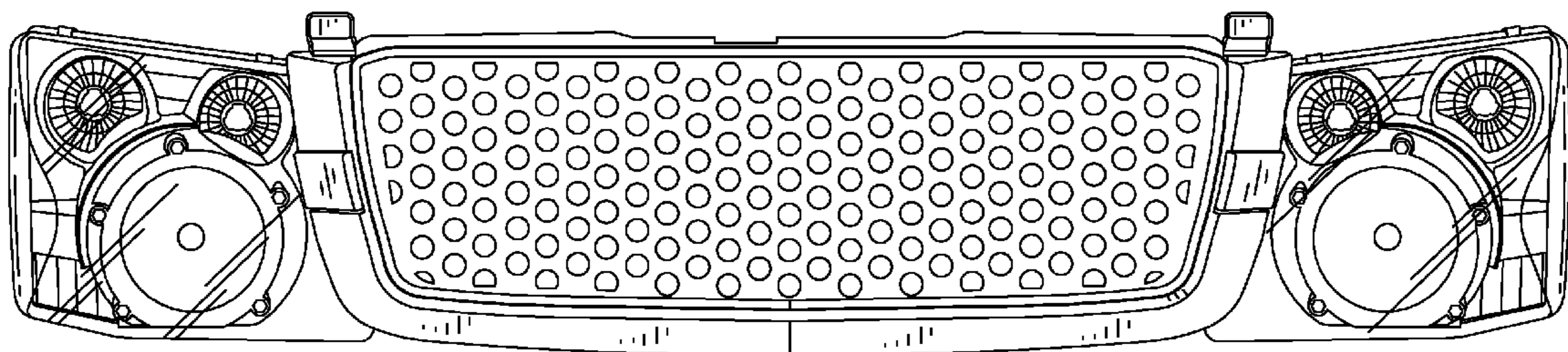


Fig. 4



Fig. 5