



US00D613648S

(12) **United States Design Patent**  
**Wong**

(10) **Patent No.:** **US D613,648 S**  
(45) **Date of Patent:** **\*\* Apr. 13, 2010**

(54) **AUTOMOTIVE FRONT GRILL**

(76) Inventor: **Tak Chi Wong**, 207 S. 6th Ave., La Puente, CA (US) 91746

(\*\*) Term: **14 Years**

(21) Appl. No.: **29/345,174**

(22) Filed: **Oct. 12, 2009**

(51) **LOC (9) Cl.** ..... **12-16**

(52) **U.S. Cl.** ..... **D12/163; D26/28**

(58) **Field of Classification Search** ..... D12/163,  
D12/171, 196, 216, 90-92, 86; 180/68.1,  
180/68.6; 296/193.11; D26/28-36; 362/459-468,  
362/475-478, 485-487

See application file for complete search history.

(56) **References Cited**

**U.S. PATENT DOCUMENTS**

D452,837 S \* 1/2002 Kitamura et al. .... D12/163  
D488,748 S \* 4/2004 Elwell ..... D12/163  
D489,298 S \* 5/2004 Elwell ..... D12/163  
D494,895 S \* 8/2004 Marchese et al. .... D12/163

D533,484 S \* 12/2006 Behmer et al. .... D12/163  
D535,223 S \* 1/2007 Gaffka et al. .... D12/163  
D593,461 S \* 6/2009 Kouzai ..... D12/163  
D605,566 S \* 12/2009 Wong ..... D12/163  
D607,785 S \* 1/2010 Walter et al. .... D12/163

\* cited by examiner

*Primary Examiner*—Melody N Brown

(57) **CLAIM**

The ornamental design for an automotive front grill, as shown and described.

**DESCRIPTION**

FIG. 1 is a perspective view of an automotive front grill showing my new design;

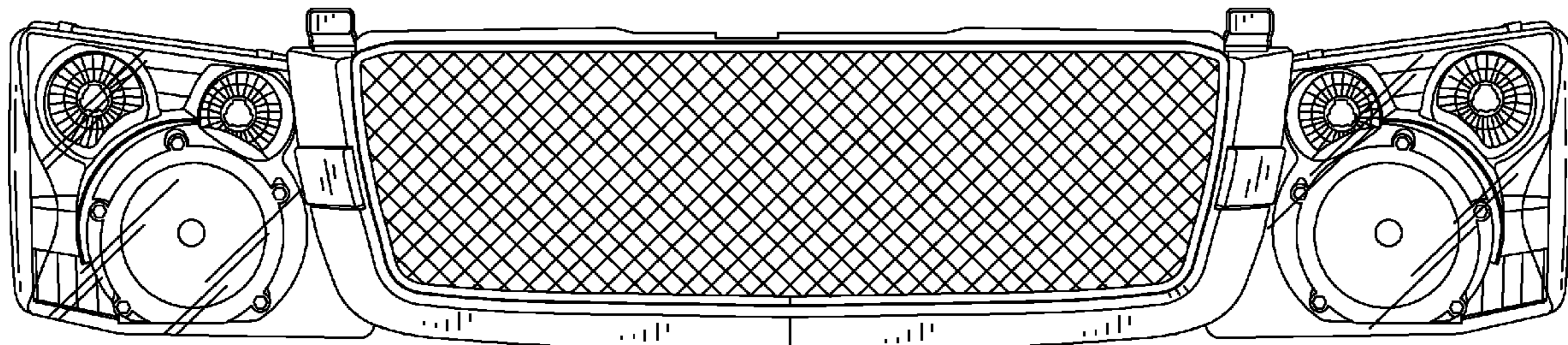
FIG. 2 is a left side elevational view thereof;

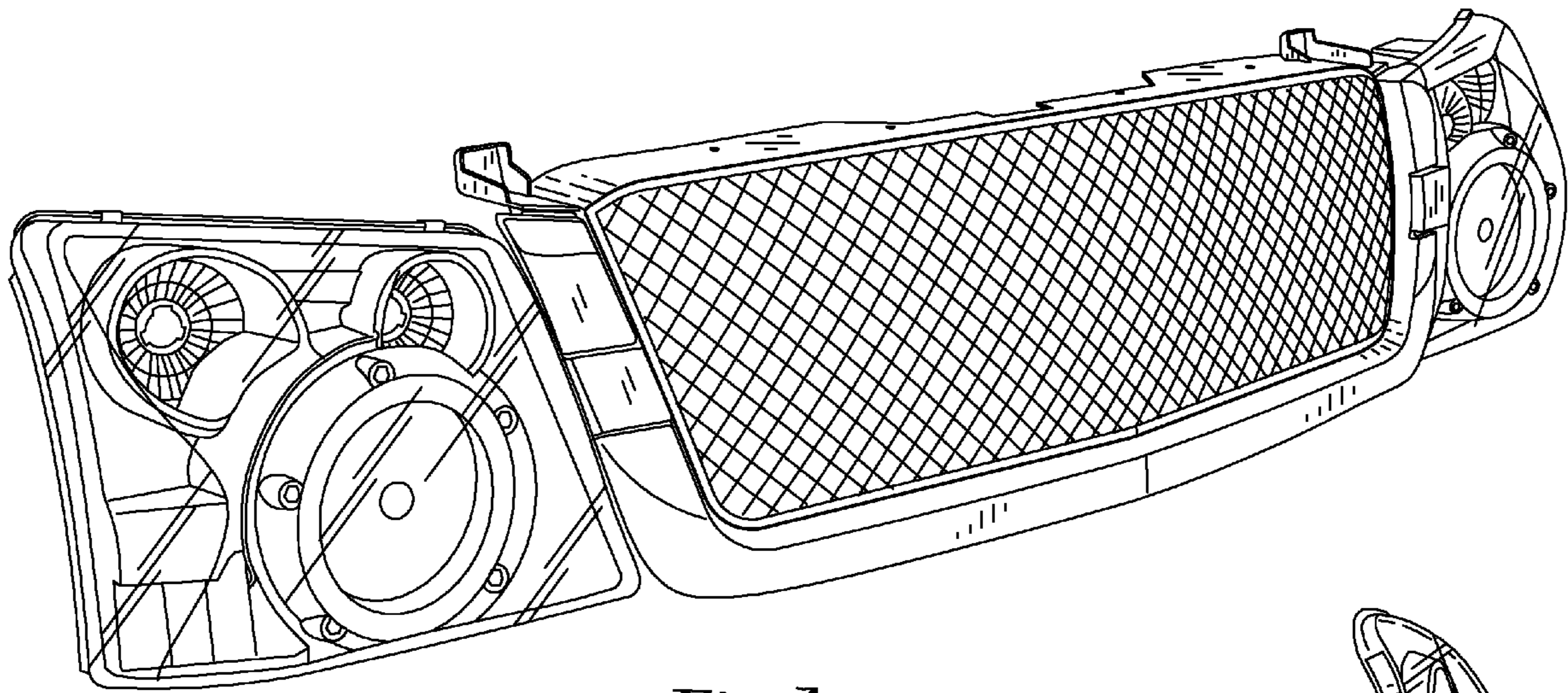
FIG. 3 is a top plan view thereof;

FIG. 4 is a front elevational view thereof; and,

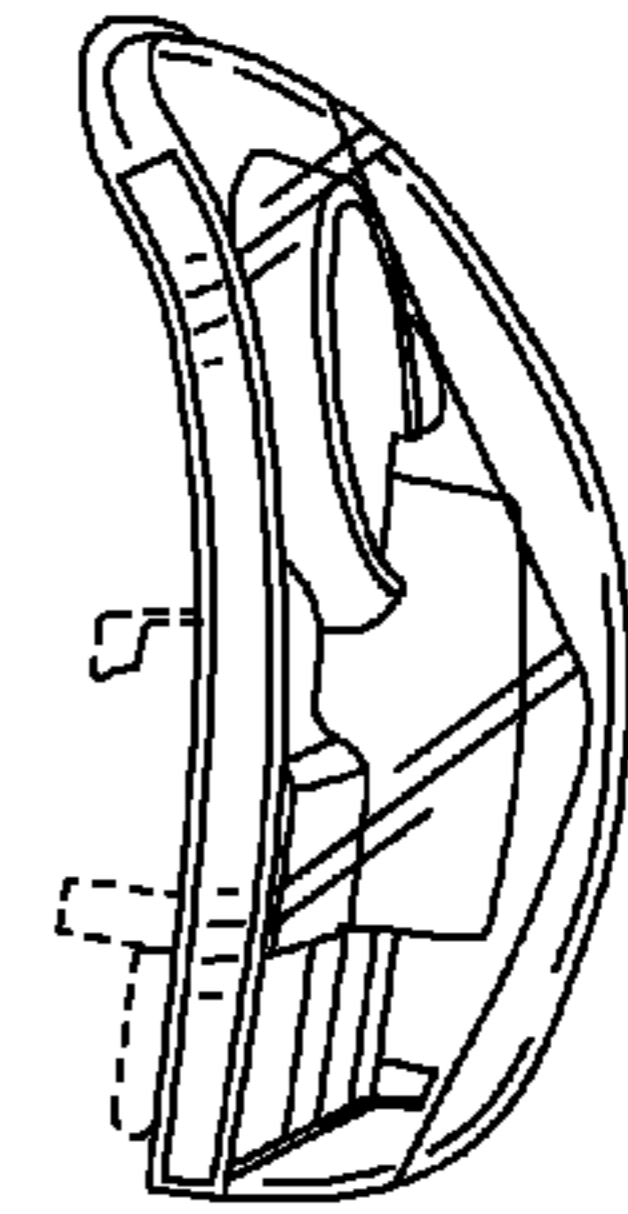
FIG. 5 is a bottom plan view thereof.

**1 Claim, 2 Drawing Sheets**

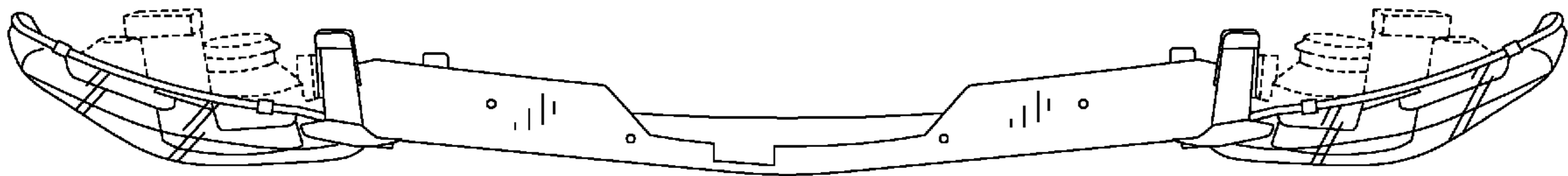




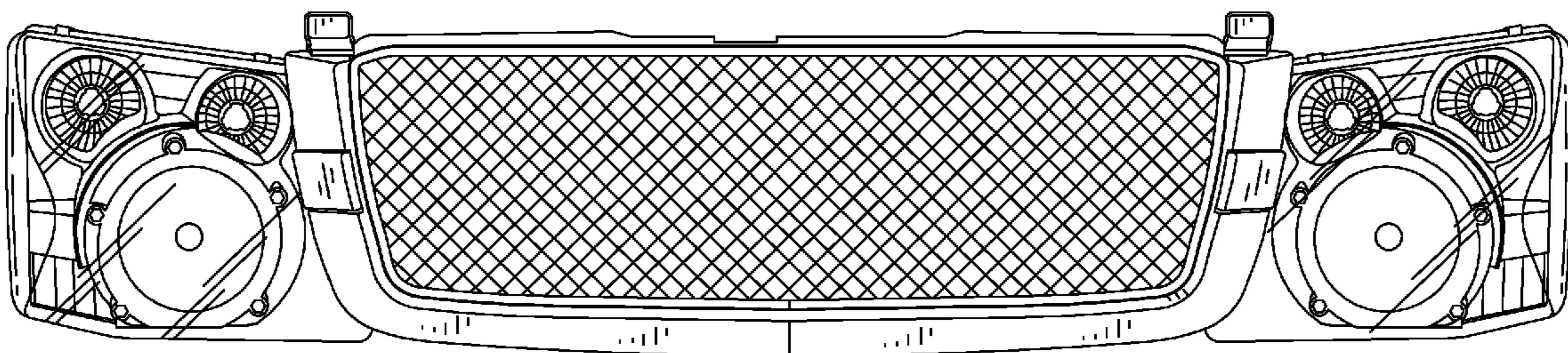
*Fig. 1*



*Fig. 2*



*Fig. 3*



*Fig. 4*



*Fig. 5*