



US00D613647S

(12) **United States Design Patent**
Gundlach et al.

(10) **Patent No.:** **US D613,647 S**
(45) **Date of Patent:** **** Apr. 13, 2010**

(54) **HITCH MOUNTED VEHICLE LIGHT**

DESCRIPTION

(76) Inventors: **Gary Gundlach**, 12 Treasure Island Rd., Plainville, MA (US) 02762; **Gary Avila**, 16 Chainey St., Seekonk, MA (US) 02771

FIG. 1 is a perspective view of a first embodiment of the hitch mounted vehicle light showing our new design;

FIG. 2 is a top view of the hitch mounted vehicle light of FIG. 1;

(**) Term: **14 Years**

FIG. 3 is a bottom view of the hitch mounted vehicle light of FIG. 1;

(21) Appl. No.: **29/312,996**

FIG. 4 is a left side view of the hitch mounted vehicle light of FIG. 1;

(22) Filed: **Nov. 28, 2008**

FIG. 5 is a right side view of the hitch mounted vehicle light of FIG. 1;

(51) **LOC (9) Cl.** **12-16**

(52) **U.S. Cl.** **D12/162**

(58) **Field of Classification Search** D12/106,
D12/161-162, 199, 400, 420; D26/28-36;
224/512, 519-521; 280/186, 402-404, 405.1,
280/405.2, 407.1, 416.2, 511-513, 491.5
See application file for complete search history.

FIG. 6 is a front view of the hitch mounted vehicle light of FIG. 1;

FIG. 7 is a back view of the hitch mounted vehicle light of FIG. 1;

(56) **References Cited**

U.S. PATENT DOCUMENTS

D441,472 S *	5/2001	Torname	D26/28
D474,294 S *	5/2003	Smith et al.	D26/37
6,561,686 B1	5/2003	Neubauer		
D475,472 S *	6/2003	Hipp et al.	D26/28
6,783,266 B2 *	8/2004	McCoy et al.	362/485
D499,823 S *	12/2004	Reiss et al.	D26/28
D509,919 S	9/2005	Durgan		
D585,795 S *	2/2009	Gundlach et al.	D12/162
D586,930 S *	2/2009	Gundlach et al.	D26/28
2003/0012029 A1	1/2003	McCoy		
2004/0156205 A1	8/2004	Pisciotti		

FIG. 8 is a perspective view of the hitch mounted vehicle light of FIG. 1, showing a representative vehicle onto which the new design may be mounted in phantom;

FIG. 9 is a perspective view of a second embodiment of the hitch mounted vehicle light of FIG. 1, showing the lip portion of the center light in phantom;

FIG. 10 is a top view of the hitch mounted vehicle light of FIG. 9;

* cited by examiner

Primary Examiner—T. Chase Nelson

Assistant Examiner—Kathleen M Sims

FIG. 11 is a bottom view of the hitch mounted vehicle light of FIG. 9;

FIG. 12 is a left side view of the hitch mounted vehicle light of FIG. 9;

FIG. 13 is a right side view of the hitch mounted vehicle light of FIG. 9;

(57) **CLAIM**

The ornamental design for a hitch mounted vehicle light, as shown and described.

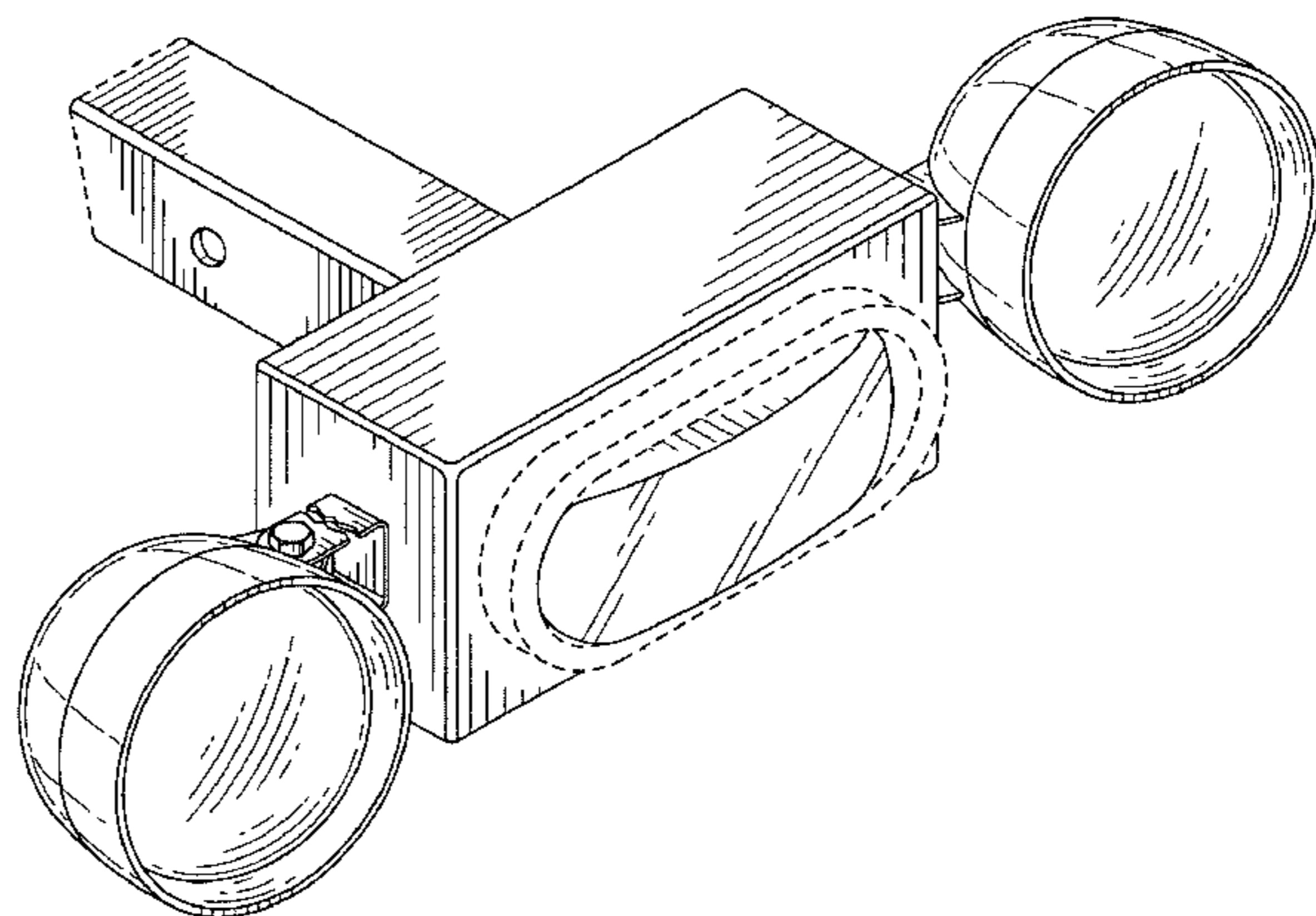
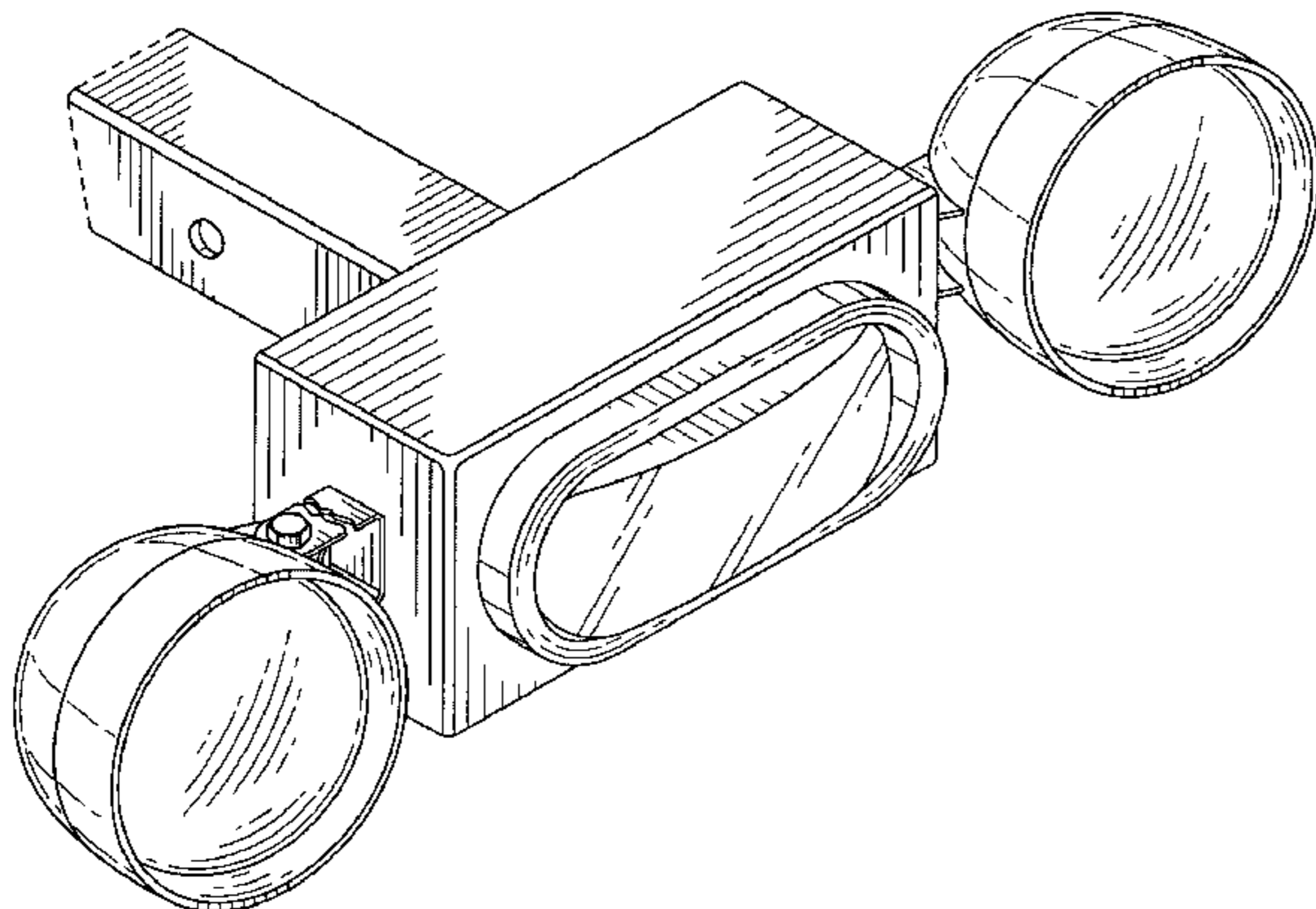
FIG. 14 is a front view of the hitch mounted vehicle light of FIG. 9; and,

FIG. 15 is a rear view of the hitch mounted vehicle light of FIG. 9.

The broken lines are for illustrative purposes and form no part of the claimed invention.

The Cutaway portions illustrate indeterminate length.

1 Claim, 11 Drawing Sheets



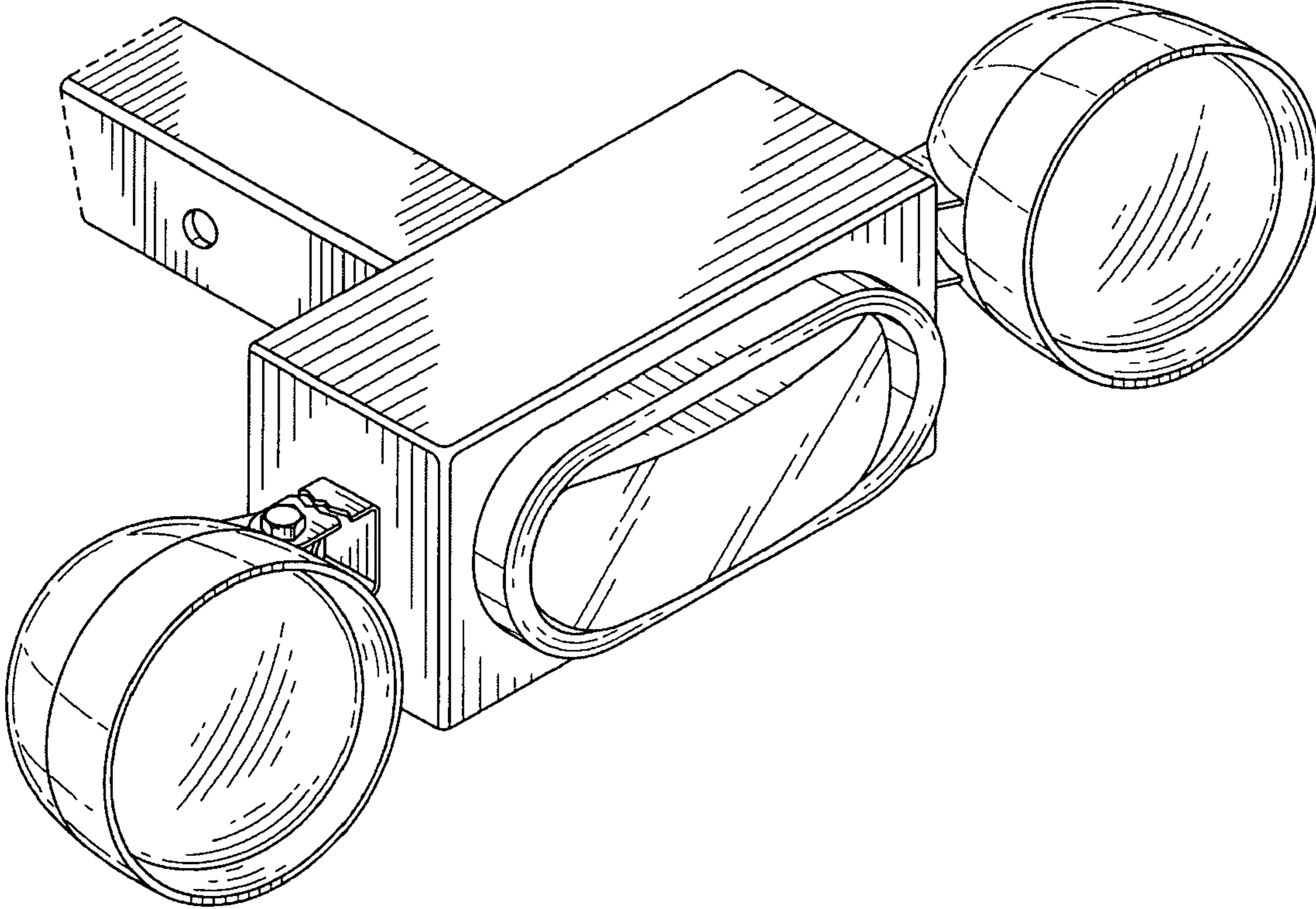


FIG. 1

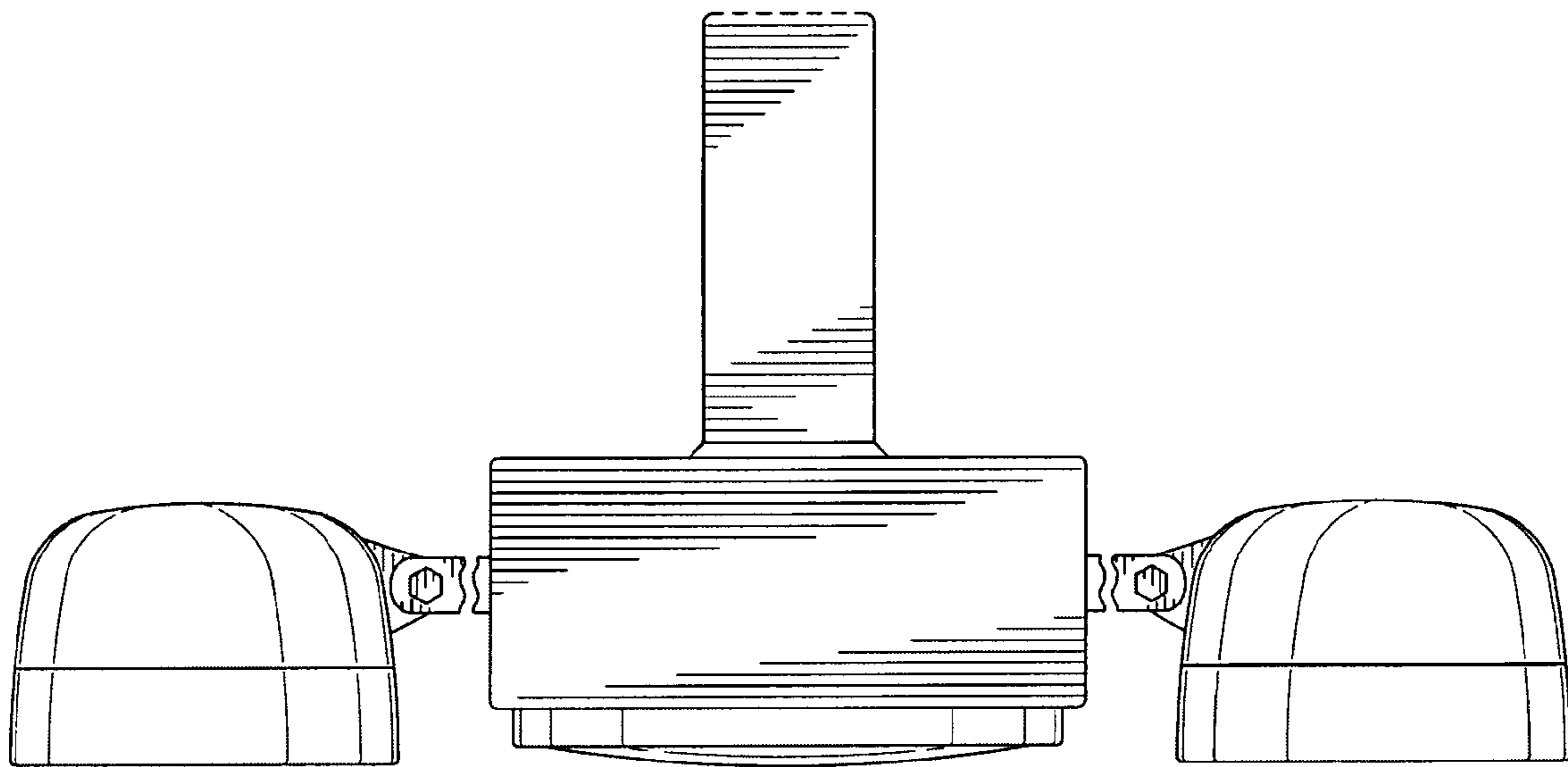


FIG. 2

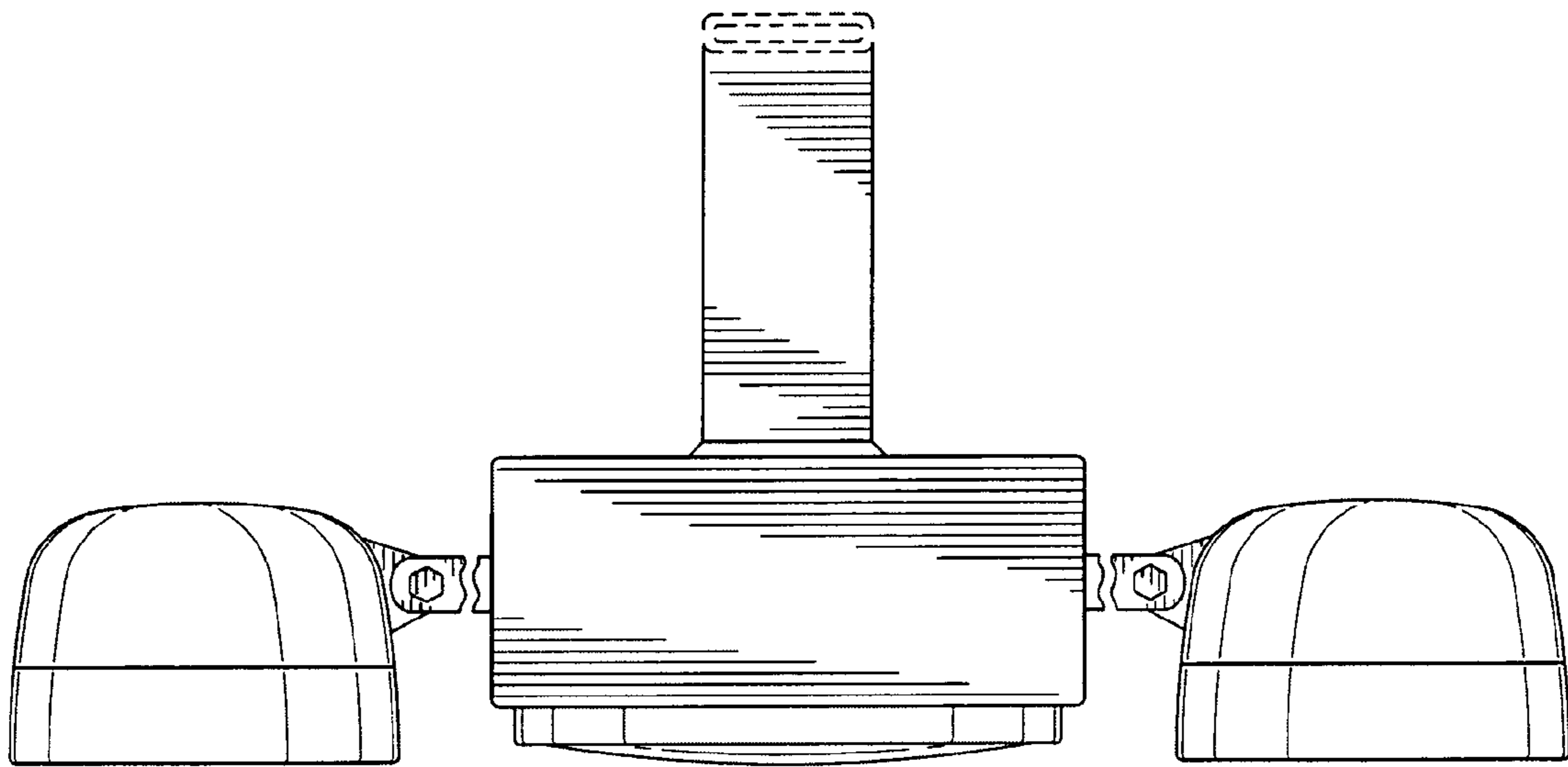


FIG. 3

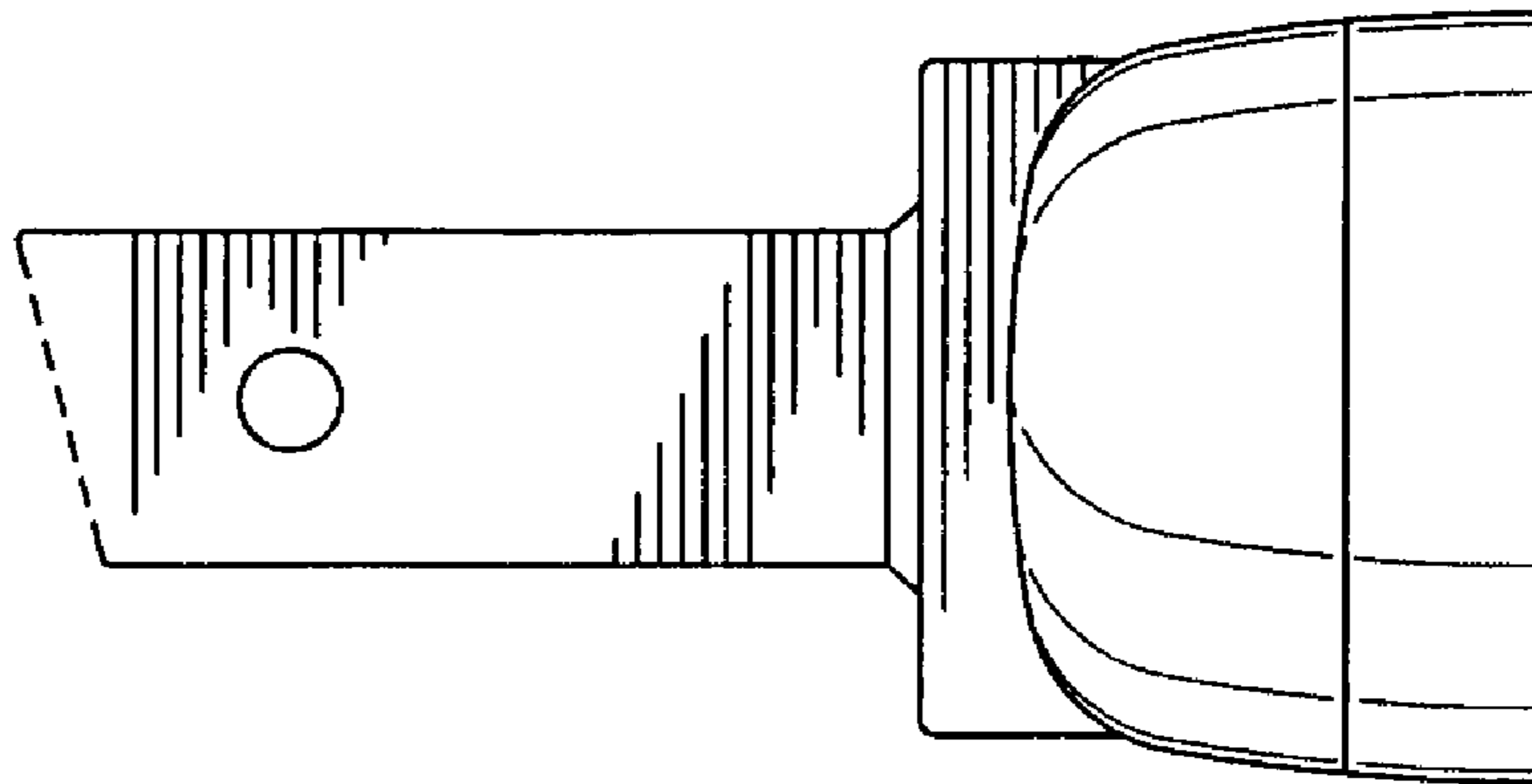


FIG. 4

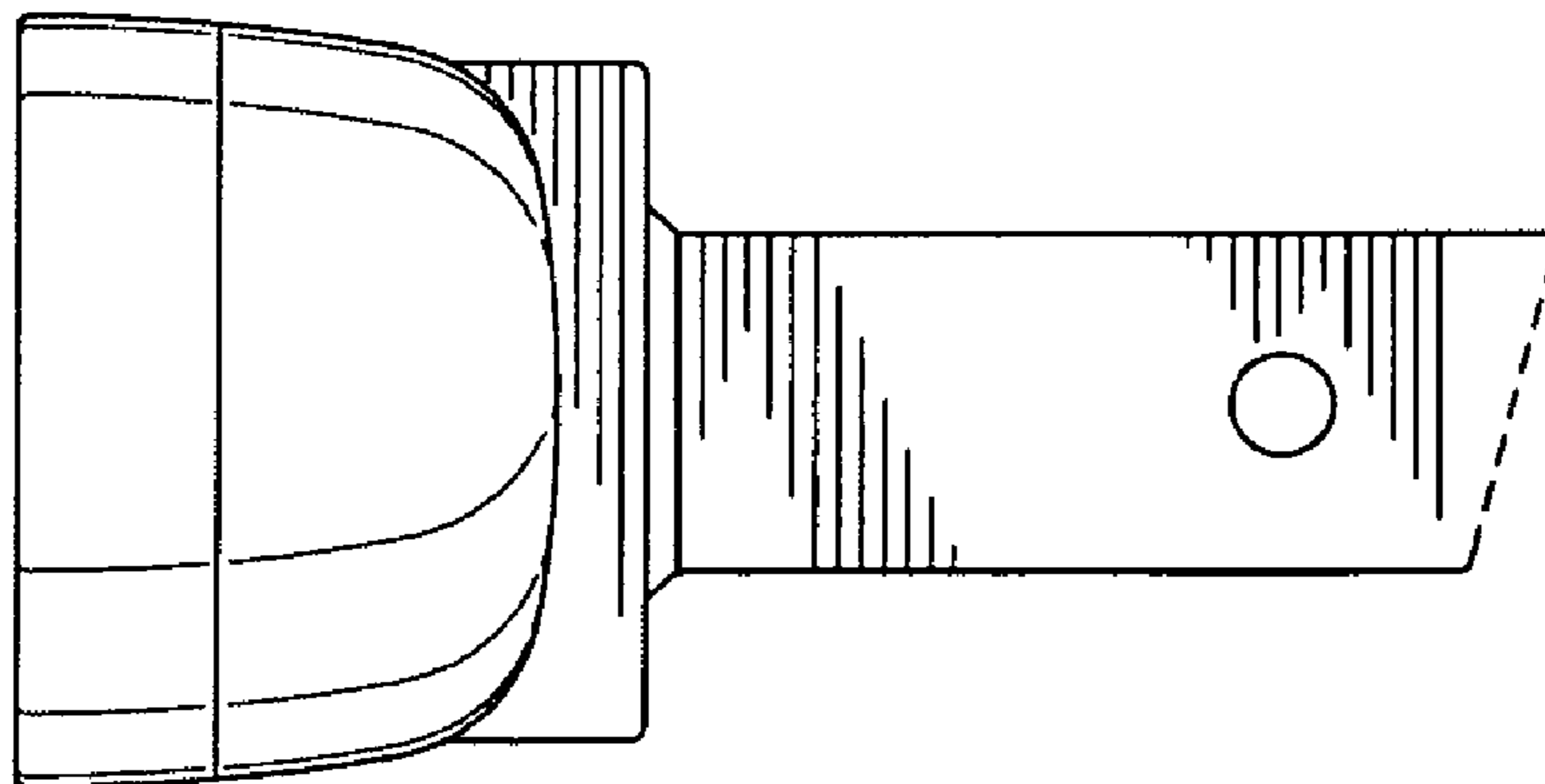


FIG. 5

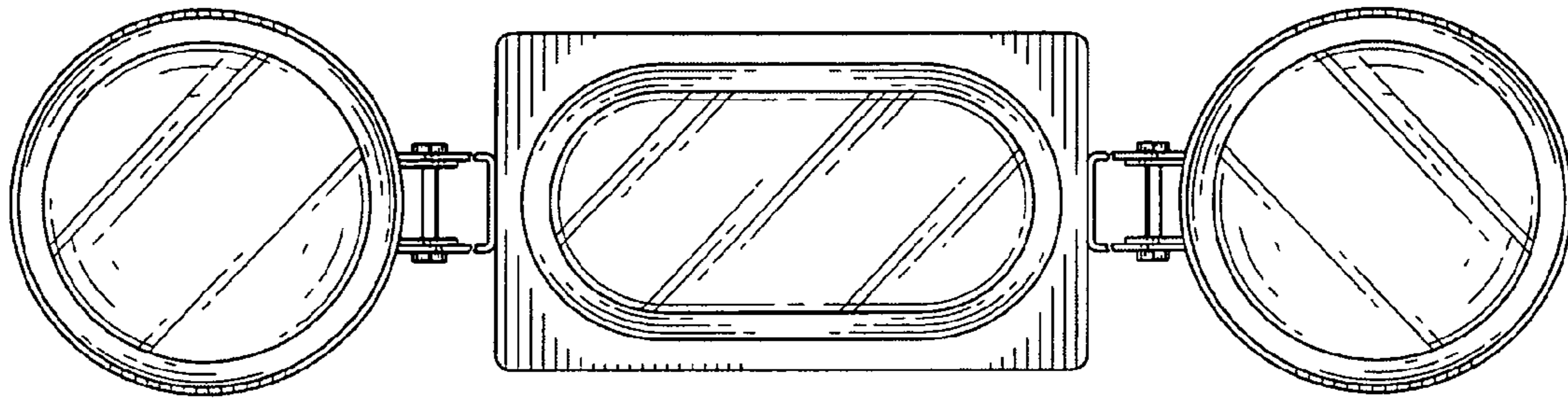


FIG. 6

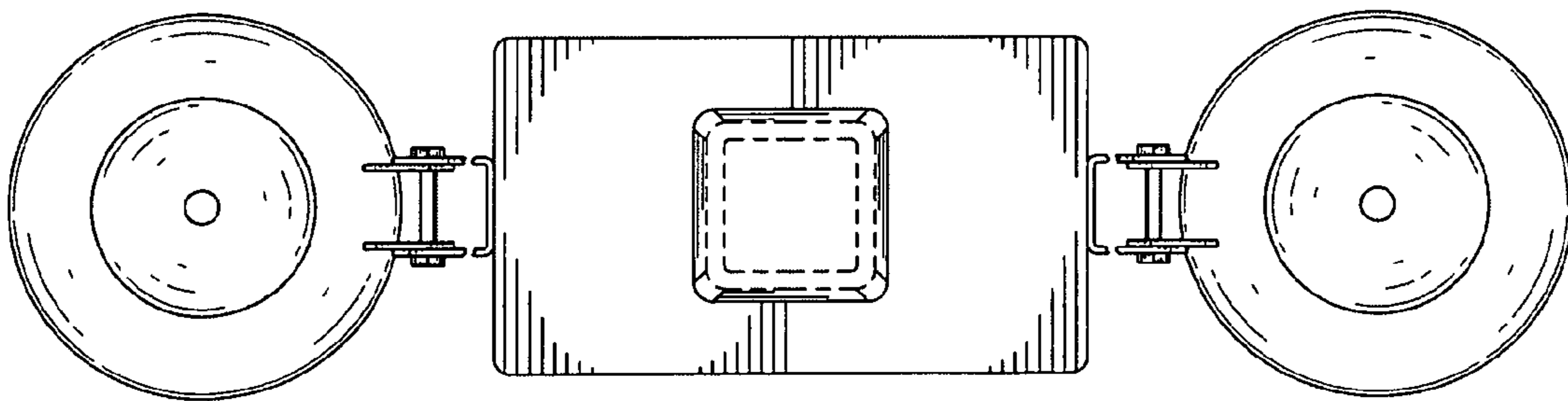


FIG. 7

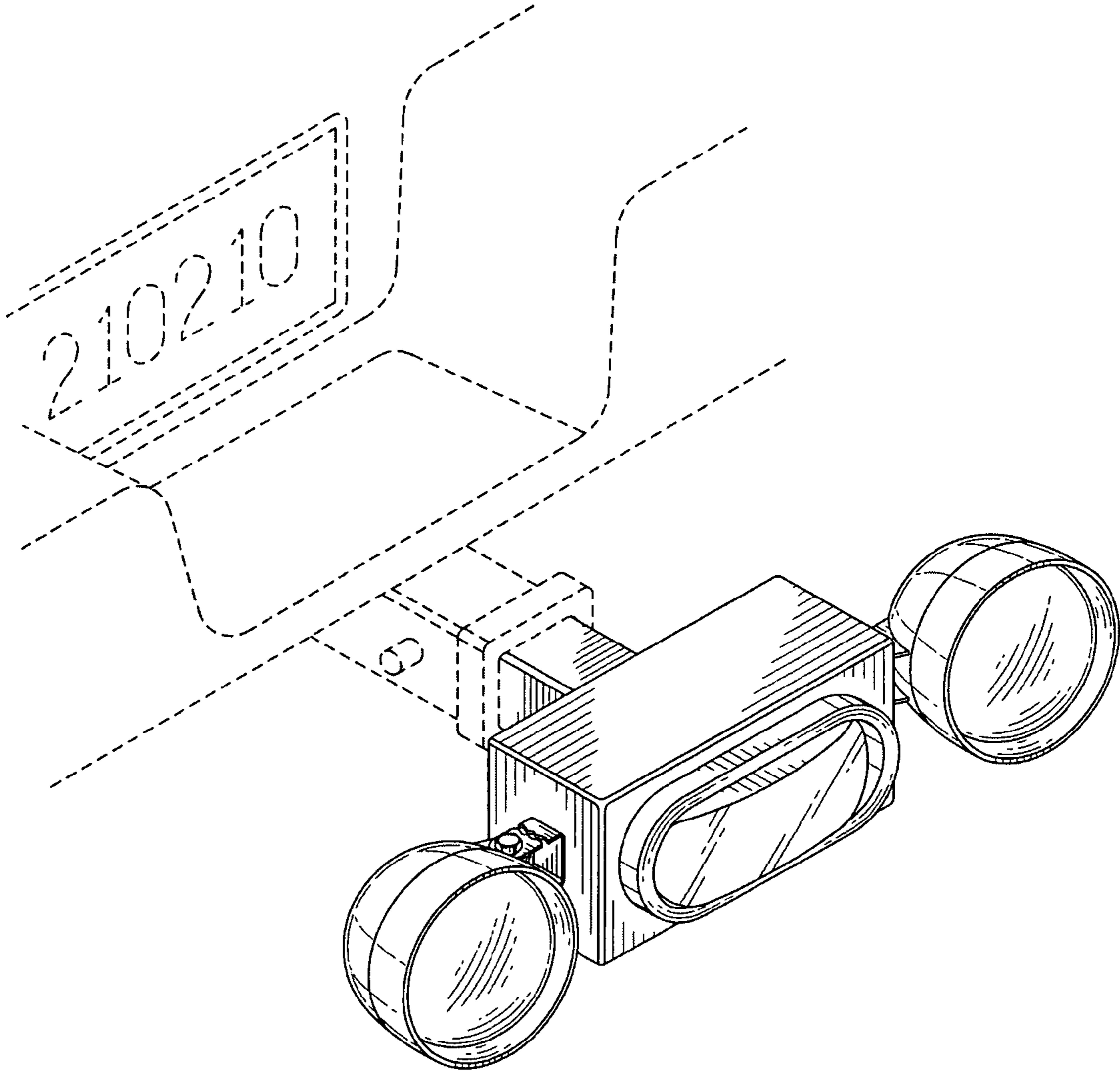


FIG. 8

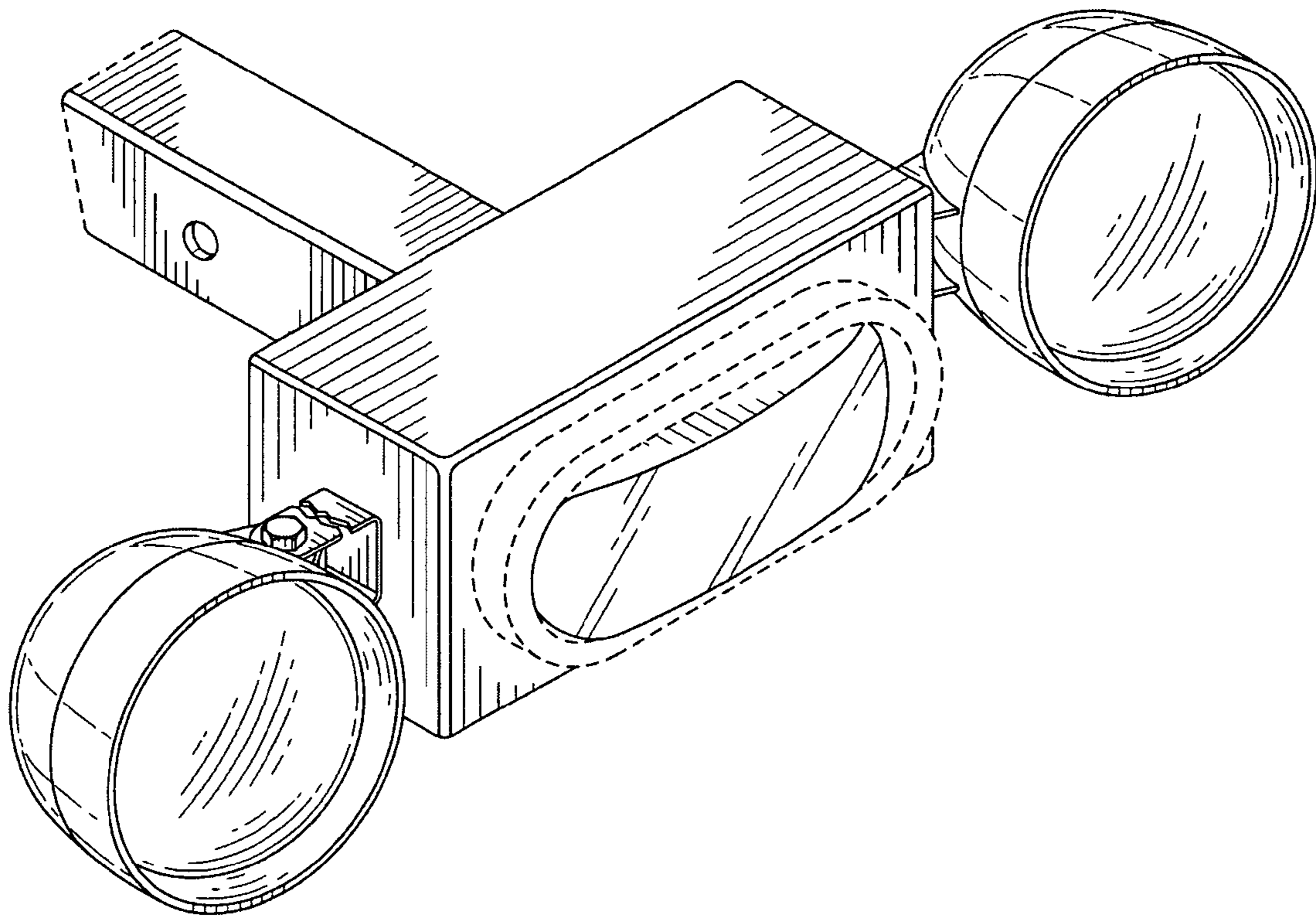


FIG. 9

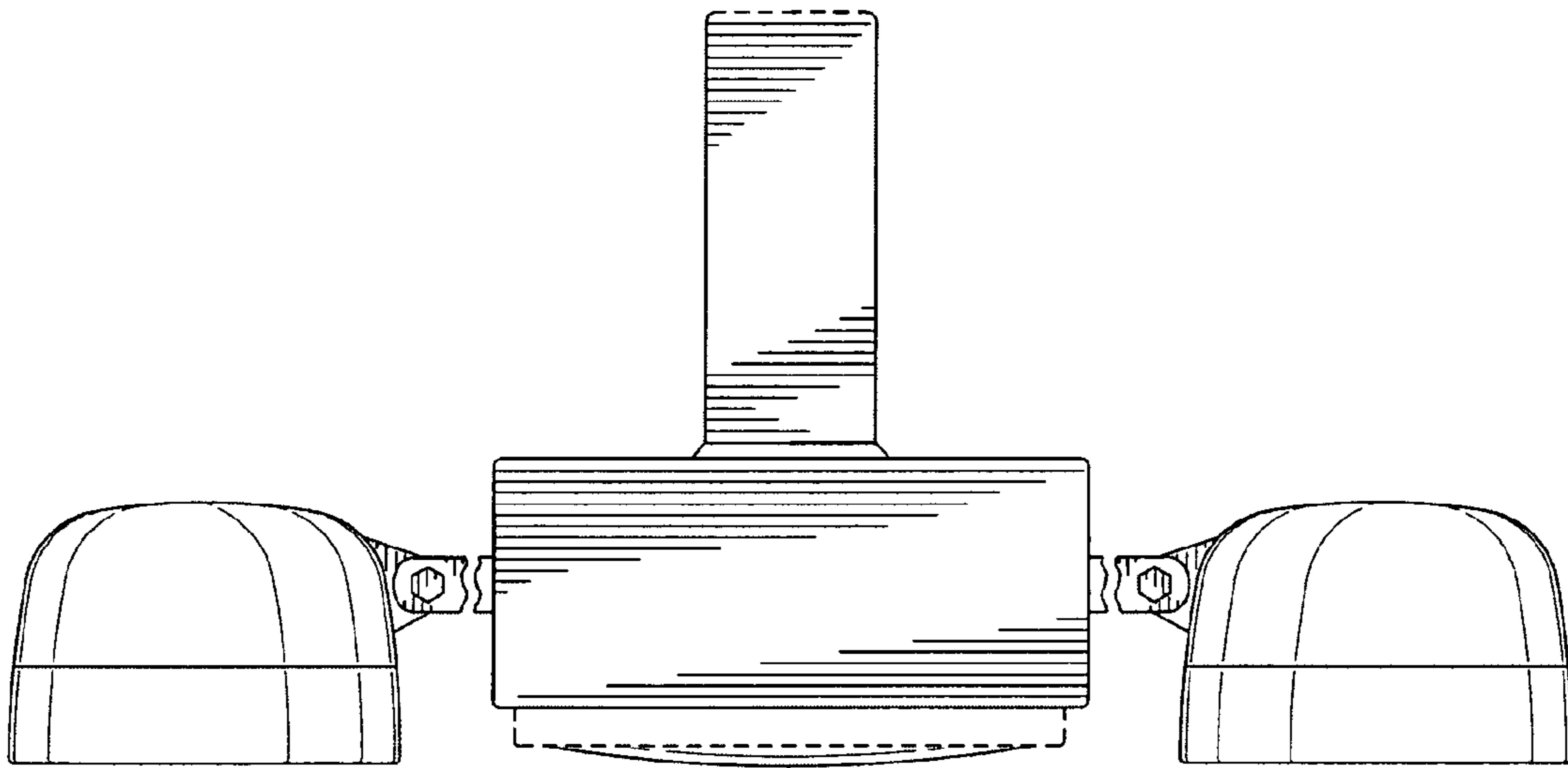


FIG. 10

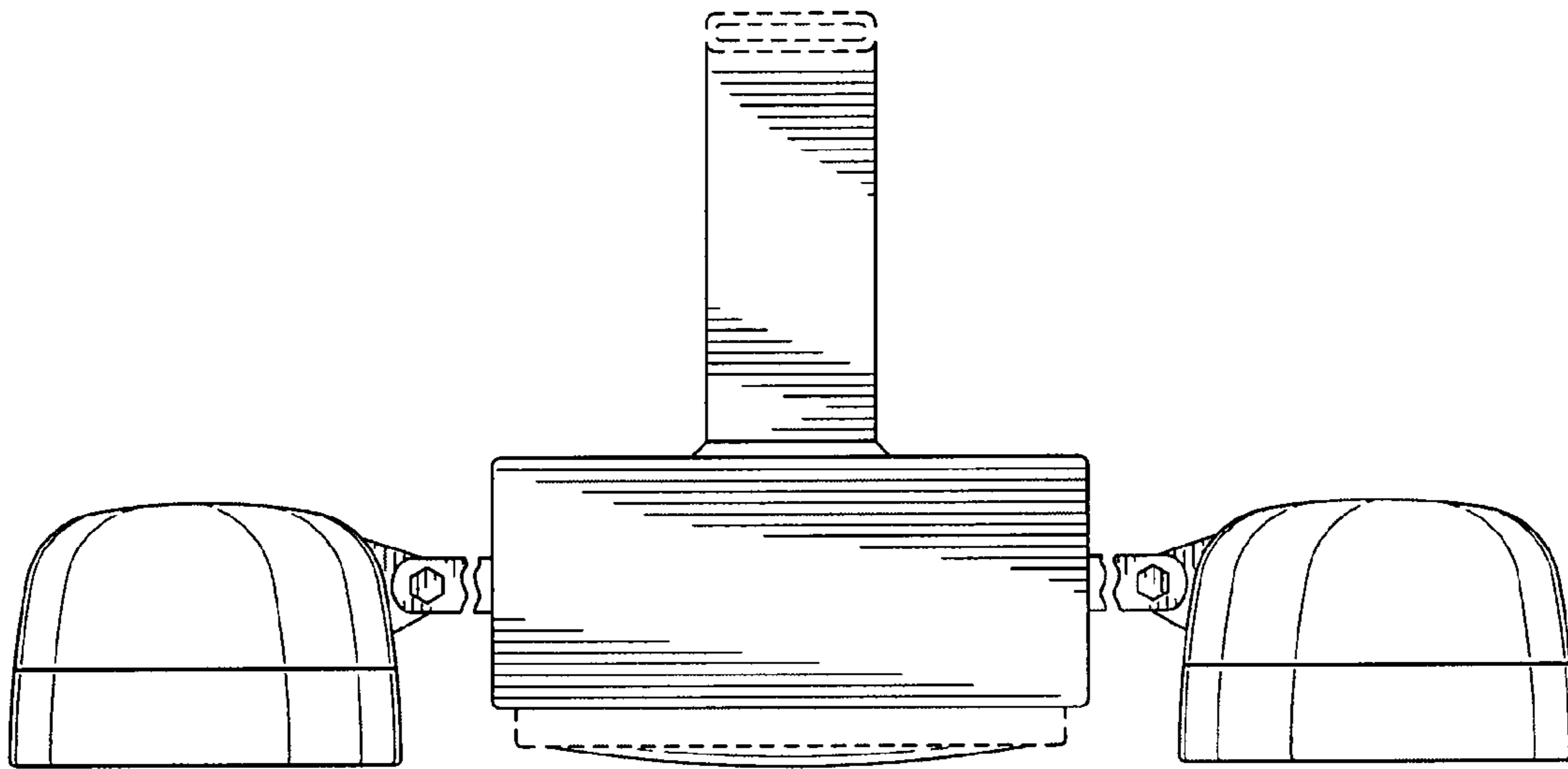


FIG. 11

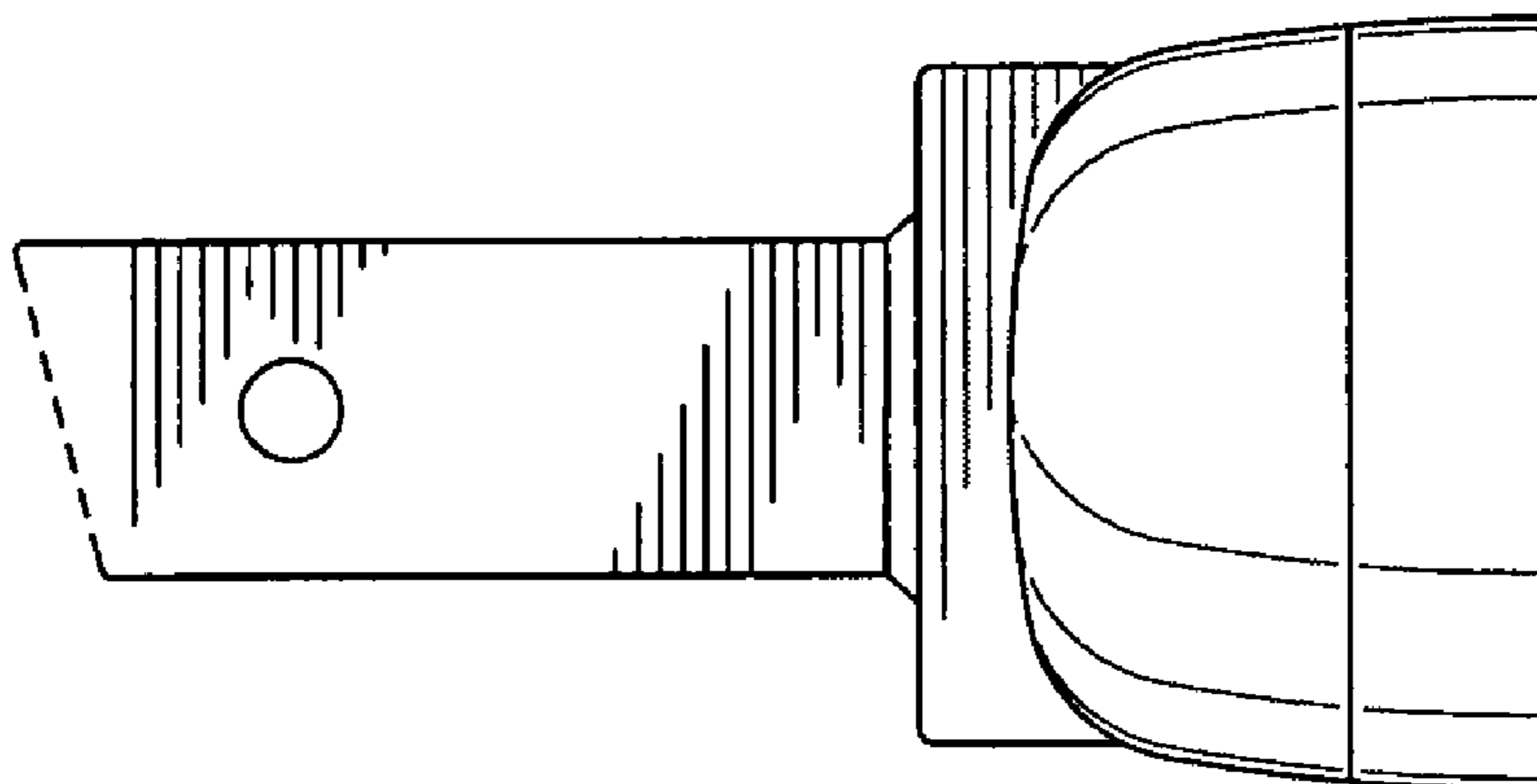


FIG. 12

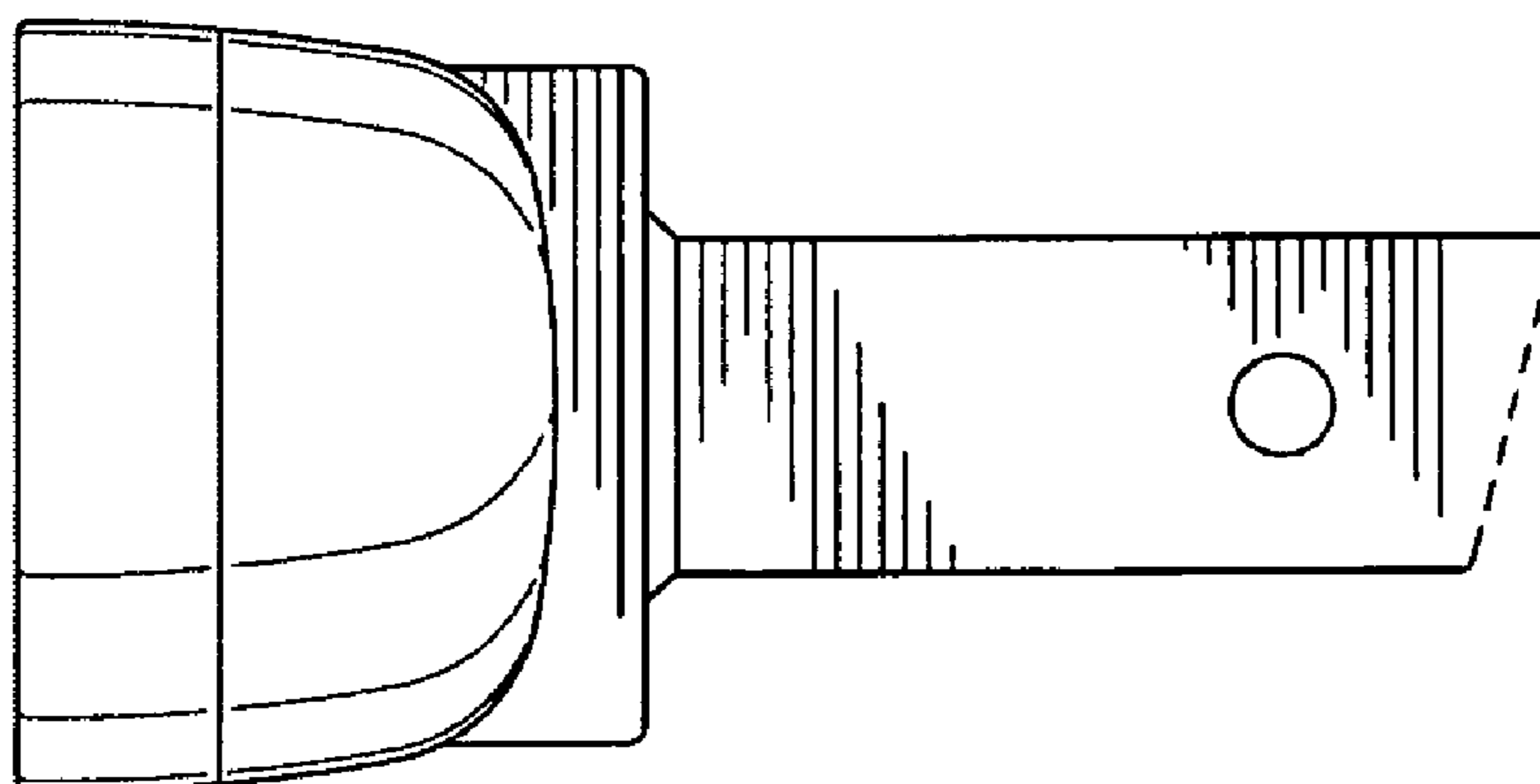


FIG. 13

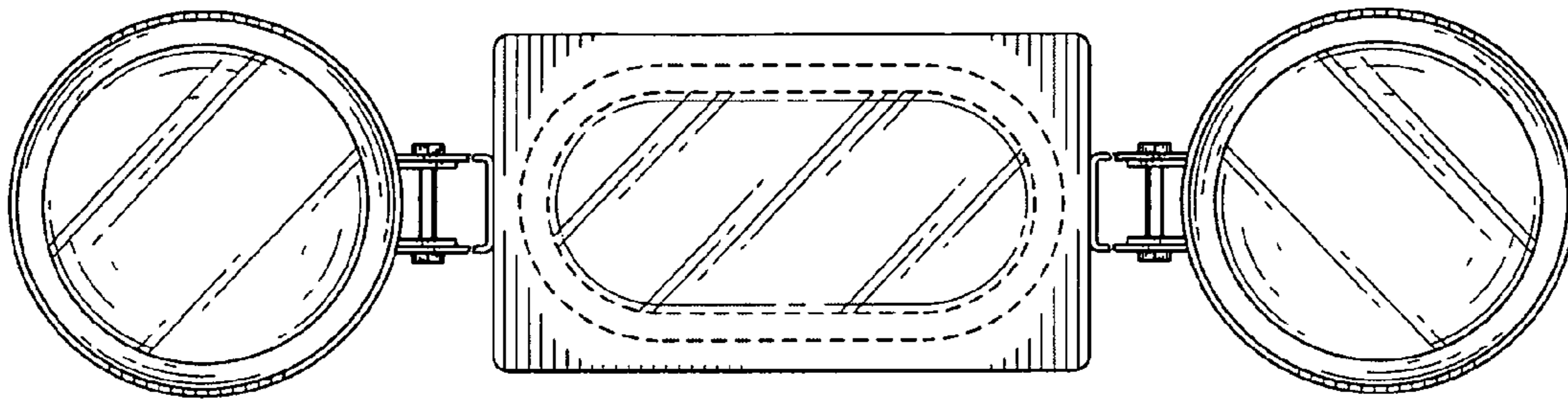


FIG. 14

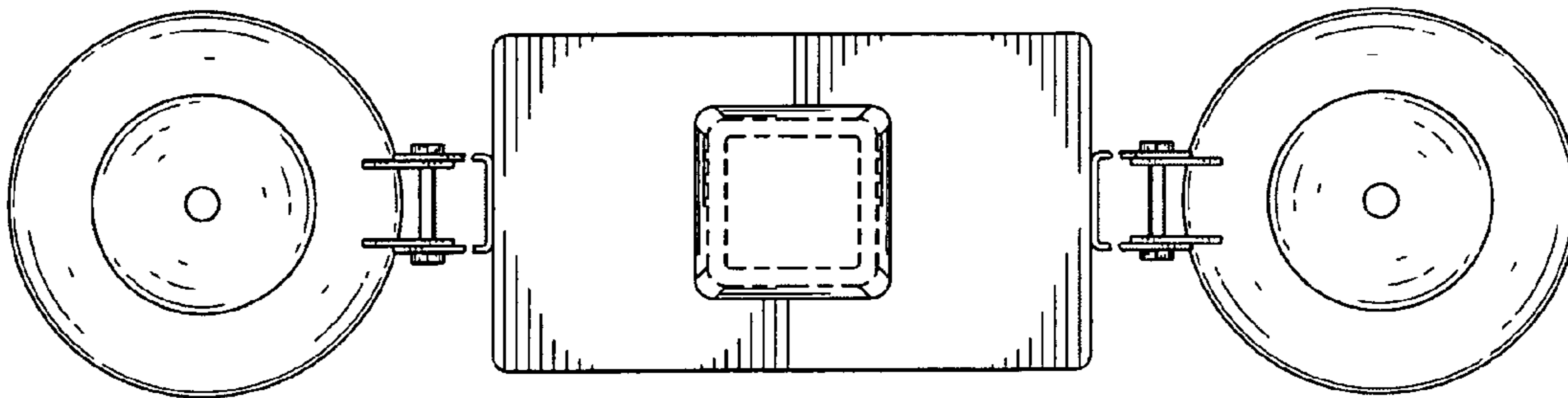


FIG. 15