



US00D613642S

(12) **United States Design Patent**  
**Zhang**

(10) **Patent No.:** **US D613,642 S**  
(45) **Date of Patent:** **\*\* Apr. 13, 2010**

(54) **ELECTRIC VEHICLE**

(75) Inventor: **Xueqing Zhang**, SuZhou (CN)

(73) Assignee: **Suzhou Eagle Electric Vehicle Manufacturing Co., Ltd.**, Suzhou, Jiangsu Province (CN)

(\*\*) Term: **14 Years**

(21) Appl. No.: **29/341,737**

(22) Filed: **Aug. 12, 2009**

(30) **Foreign Application Priority Data**

May 2, 2009 (CN) ..... 2009 3 0185400

(51) **LOC (9) Cl.** ..... **12-14**

(52) **U.S. Cl.** ..... **D12/1; D12/16; D12/14**

(58) **Field of Classification Search** ..... D12/87,  
D12/86, 1, 433, 15, 16, 107, 82, 88, 90, 91,  
D12/92, 93, 84, 100; D15/30; D21/803;  
180/233, 908; 280/DIG. 5, 183, 184, 185,  
280/186, 28, 37.7

See application file for complete search history.

(56) **References Cited**

**U.S. PATENT DOCUMENTS**

D217,810 S \* 6/1970 McGinnis ..... D12/84  
D320,960 S \* 10/1991 Shea, Sr. .... D12/100  
D419,107 S \* 1/2000 Hofer et al. .... D12/86  
D419,485 S \* 1/2000 Sturges ..... D12/86  
D419,490 S \* 1/2000 Hofer et al. .... D12/98  
D421,411 S \* 3/2000 Molzon et al. .... D12/82  
D425,445 S \* 5/2000 Molzon et al. .... D12/1

D442,118 S \* 5/2001 Molzon et al. .... D12/1  
6,293,616 B1 \* 9/2001 Williams et al. .... 296/203.01  
D465,177 S \* 11/2002 Daurelle et al. .... D12/84  
D483,695 S \* 12/2003 Bellington ..... D12/16  
D502,892 S \* 3/2005 Miernik ..... D12/100  
D503,126 S \* 3/2005 Papke et al. .... D12/84  
D537,755 S \* 3/2007 Toth ..... D12/84  
D552,509 S \* 10/2007 Walkup et al. .... D12/16  
7,287,779 B2 \* 10/2007 Miller ..... 280/781  
D563,831 S \* 3/2008 Suge et al. .... D12/84

\* cited by examiner

*Primary Examiner*—T. Chase Nelson  
*Assistant Examiner*—Ania K Dworzecka  
(74) *Attorney, Agent, or Firm*—Cheng-Ju Chiang

(57) **CLAIM**

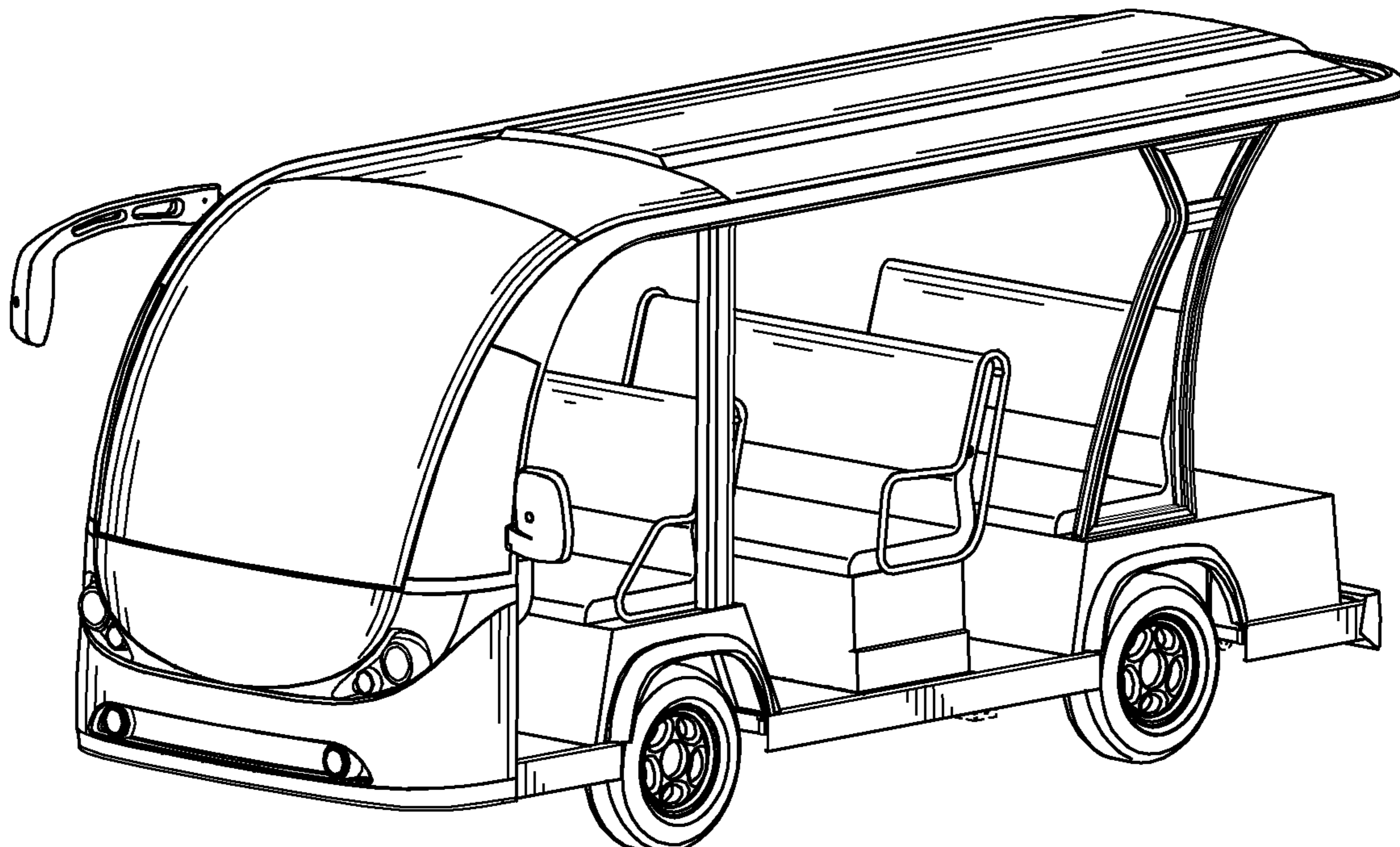
The ornamental design for an electric vehicle, as shown and described.

**DESCRIPTION**

FIG. 1 is a front perspective view of an electric vehicle showing my new design;  
FIG. 2 is a front elevation view thereof;  
FIG. 3 is a rear elevation view thereof;  
FIG. 4 is a left side elevation view thereof;  
FIG. 5 is a right side elevation view thereof; and,  
FIG. 6 is a top plan view thereof.

The broken lines in the figures are for illustrative purposes and form no part of the claimed design.

**1 Claim, 5 Drawing Sheets**



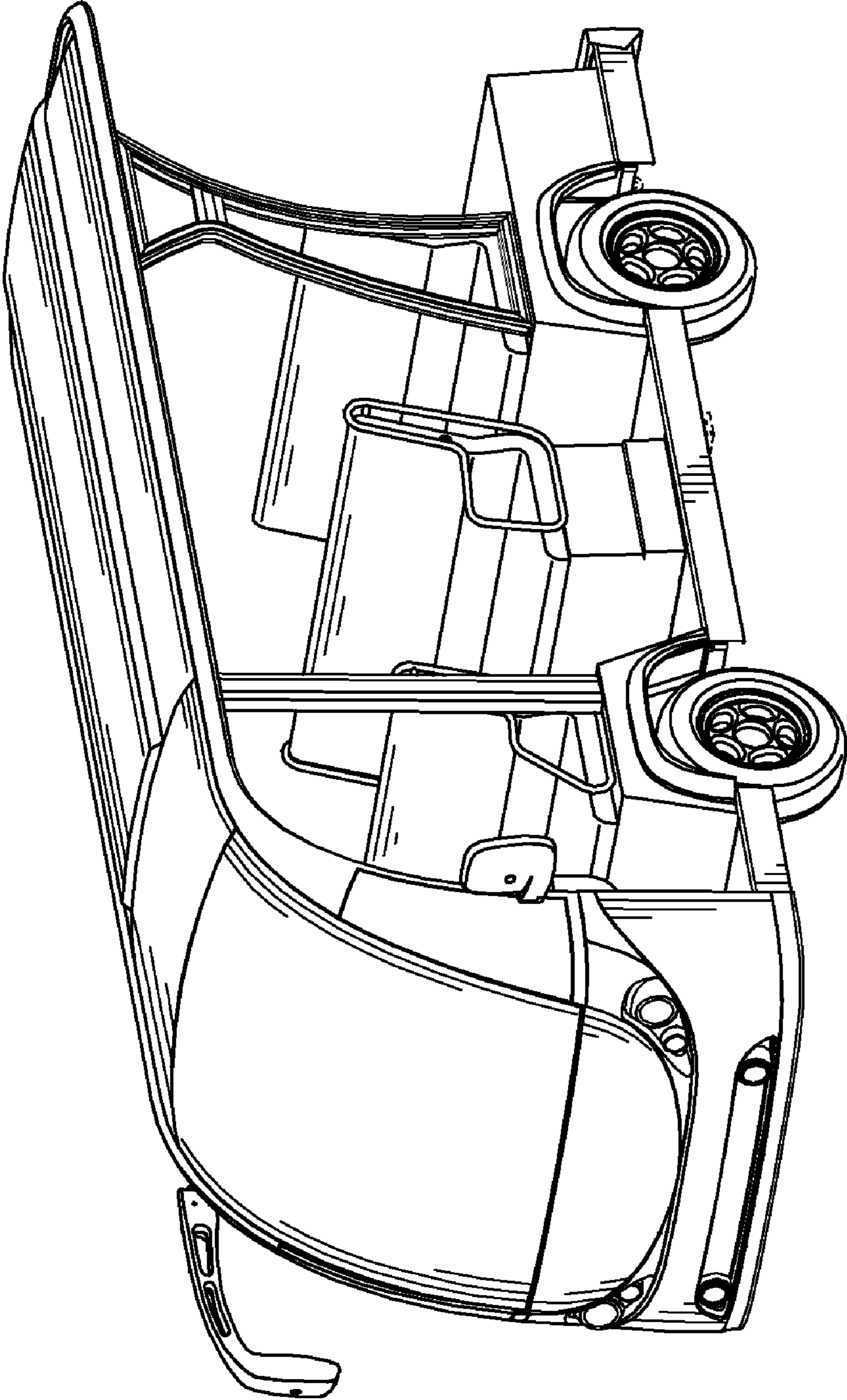


FIG. 1

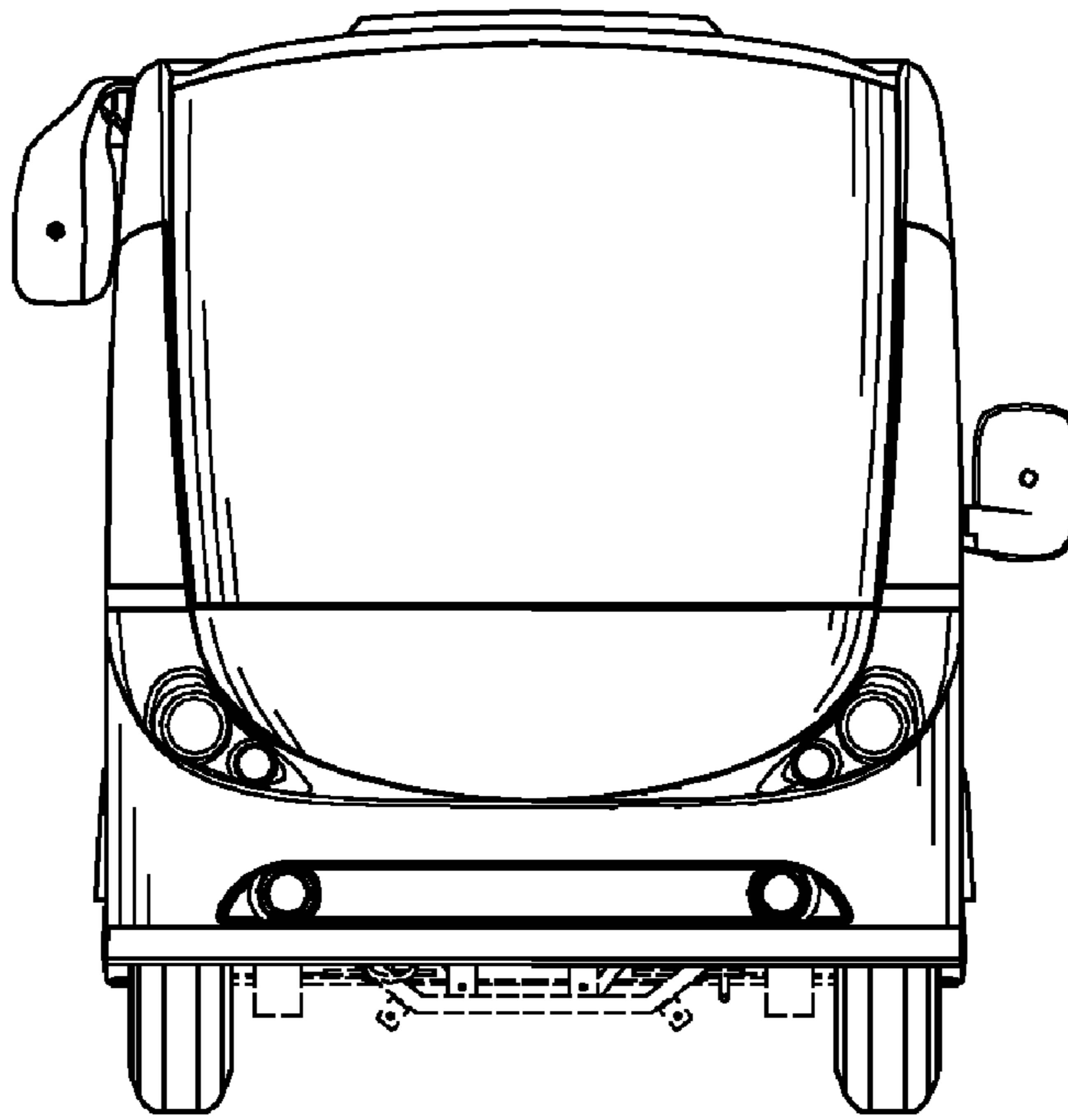


FIG. 2

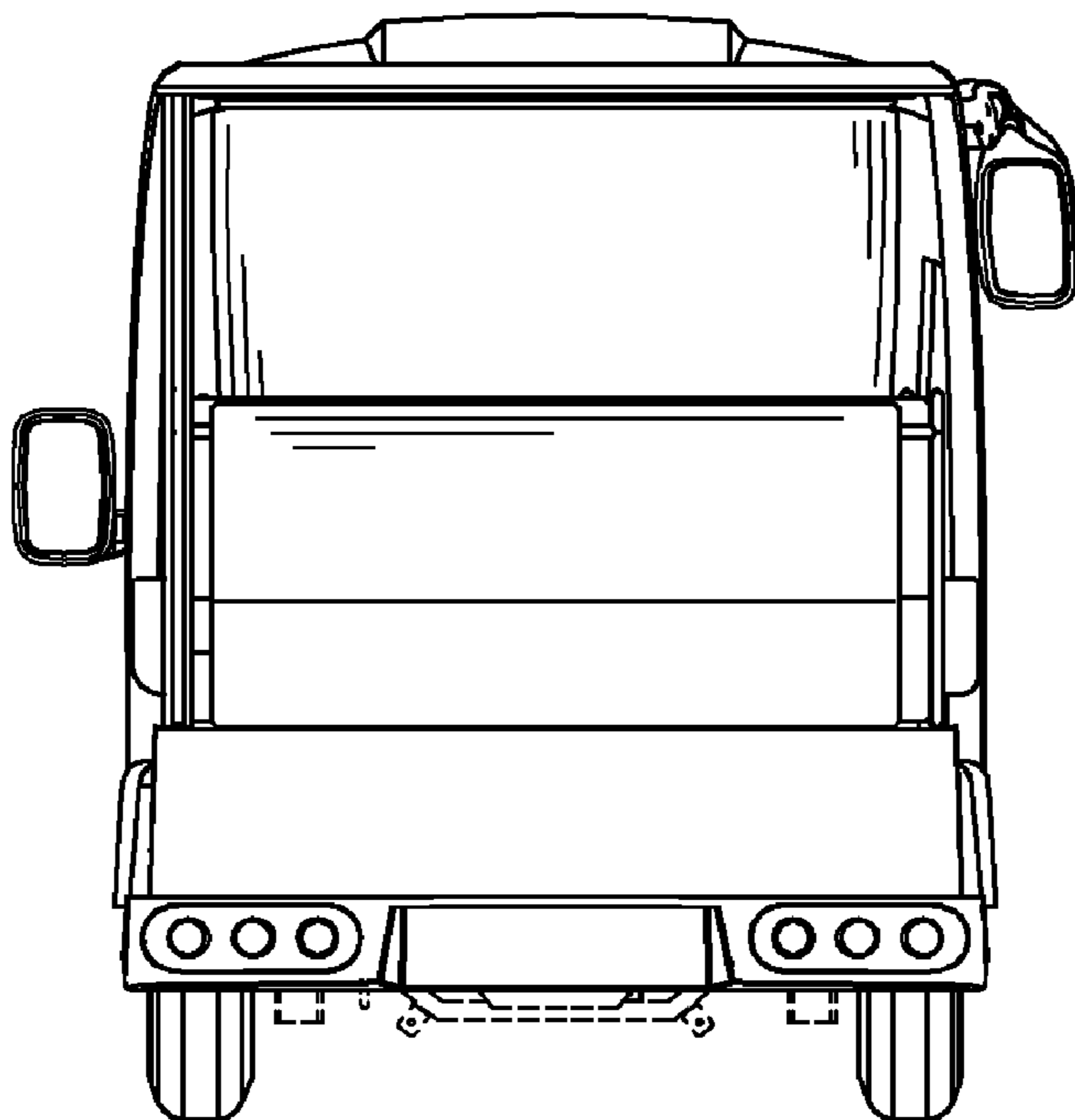


FIG. 3

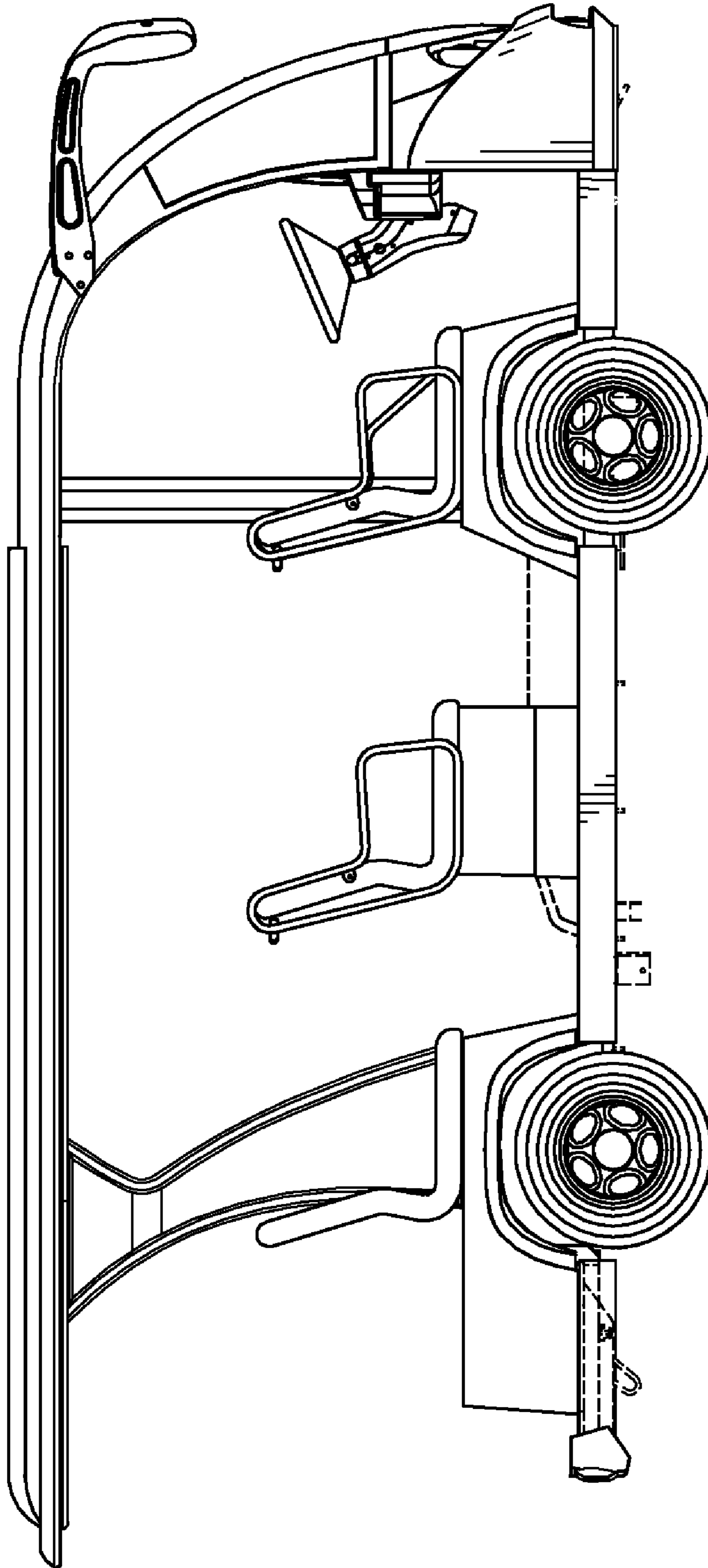


FIG. 4

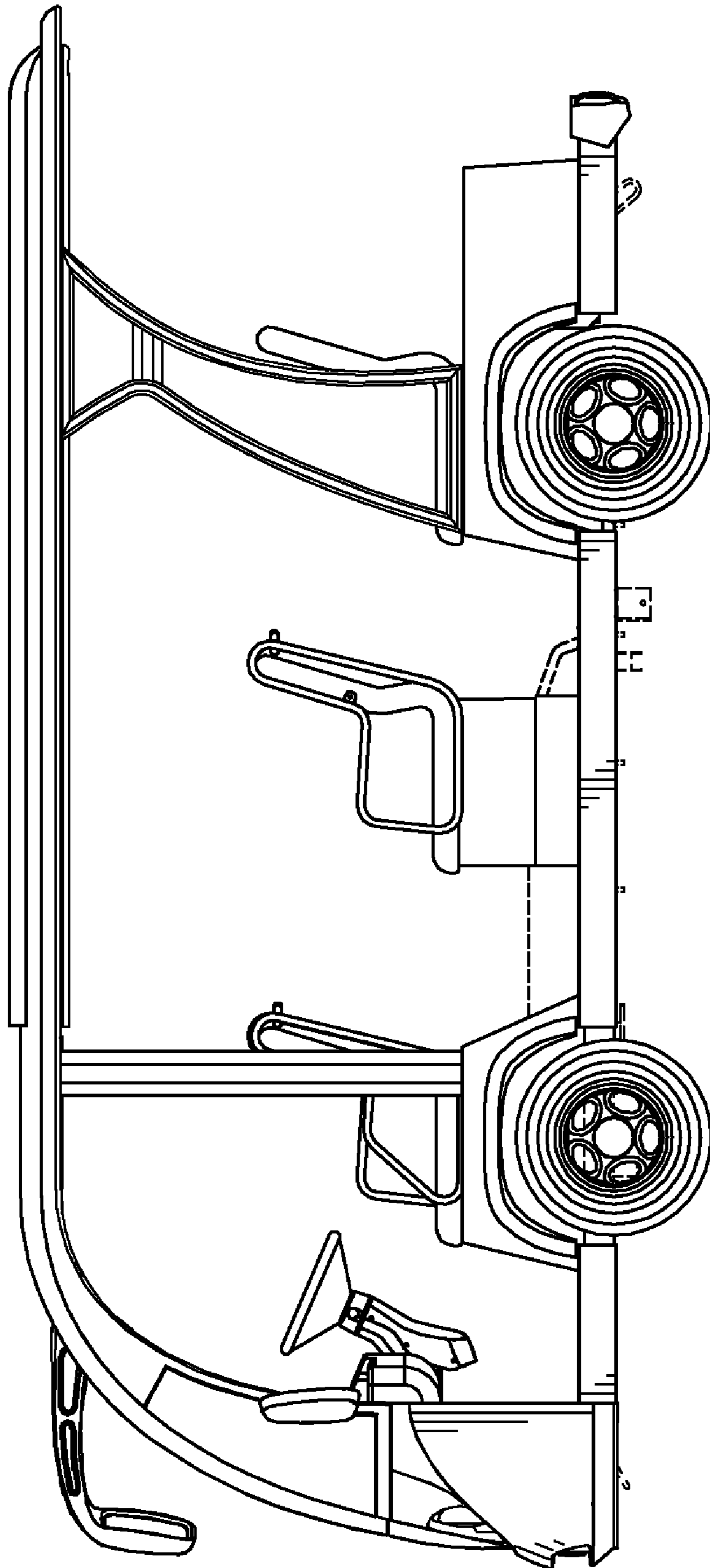


FIG. 5

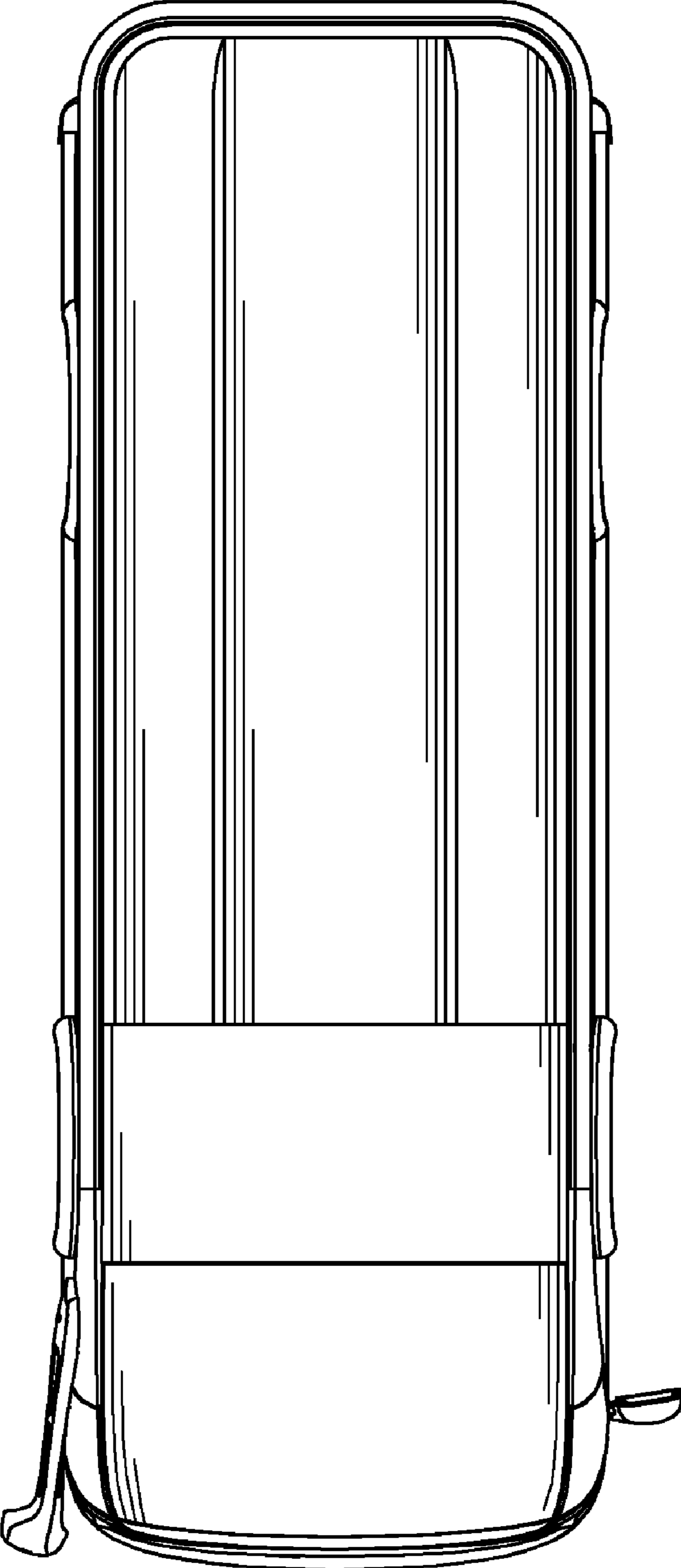


FIG. 6