

US00D613640S

(12) **United States Design Patent**
Kee

(10) **Patent No.:** **US D613,640 S**

(45) **Date of Patent:** **** Apr. 13, 2010**

(54) **IN GROUND PLANTER**

(76) Inventor: **Michael Anthony Kee**, 38 Princeton La.,
Palm Coast, FL (US) 32164

(**) Term: **14 Years**

(21) Appl. No.: **29/340,313**

(22) Filed: **Jul. 16, 2009**

(51) **LOC (9) Cl.** **11-02**

(52) **U.S. Cl.** **D11/152**

(58) **Field of Classification Search** D6/403-406,
D6/556-558; D8/1; D11/143-156, 164;
D19/77, 80-82, 84; D23/355, 356; D25/100;
D26/9-11, 16, 20, 22; D34/1, 2, 4-6; D99/5,
D99/19; 47/32.4, 32.5, 32.7, 33, 39, 41.01,
47/41.1, 41.11-41.15, 42-47, 65, 65.5, 65.9,
47/66.1, 66.6, 66.7, 67-71

See application file for complete search history.

(56) **References Cited**

U.S. PATENT DOCUMENTS

D20,034 S	7/1890	Whilldin	
D20,055 S	7/1890	Whilldin	
D20,336 S	11/1890	Whilldin	
D24,109 S	3/1895	Snap	
D54,081 S	11/1919	Graham	
D63,777 S	1/1924	Cook	
2,792,960 A	5/1957	Walouke	
3,001,326 A *	9/1961	O'Brien et al.	47/41.1
D233,058 S	10/1974	Bufton	
D234,531 S	3/1975	Bufton	
D242,161 S	11/1976	Dziewulki	
D243,031 S	1/1977	Anderson	
D243,112 S	1/1977	Gross	
D298,719 S *	11/1988	Beckerer, Jr.	D11/152
D345,716 S *	4/1994	Kwiatkowski	D11/152

D371,089 S	6/1996	Yeung	
D382,511 S *	8/1997	Azarian	D11/143
D384,907 S	10/1997	Moskowitz	
5,673,512 A	10/1997	Dupre	
D402,230 S *	12/1998	Schorr	D11/156
D409,946 S	5/1999	Hensen	
D460,717 S	7/2002	Fan	
D478,478 S *	8/2003	Soofoo et al.	D11/152
D564,394 S	3/2008	Schmidt	
D564,939 S	3/2008	Fan	
D577,630 S	9/2008	Schmidt	
2005/0039398 A1 *	2/2005	Corona	47/66.6

* cited by examiner

Primary Examiner—Caron Veynar
Assistant Examiner—Garth Rademaker
(74) *Attorney, Agent, or Firm*—QuickPatents, Inc.; Kevin Prince

(57) **CLAIM**

The ornamental design for an in ground planter, as shown and described.

DESCRIPTION

FIG. 1 is a perspective view from the top of an in ground planter showing my new design;

FIG. 2 is a front elevational view thereof, the rear elevational view, left-side elevational view, and right-side elevational view all being mirror images thereof;

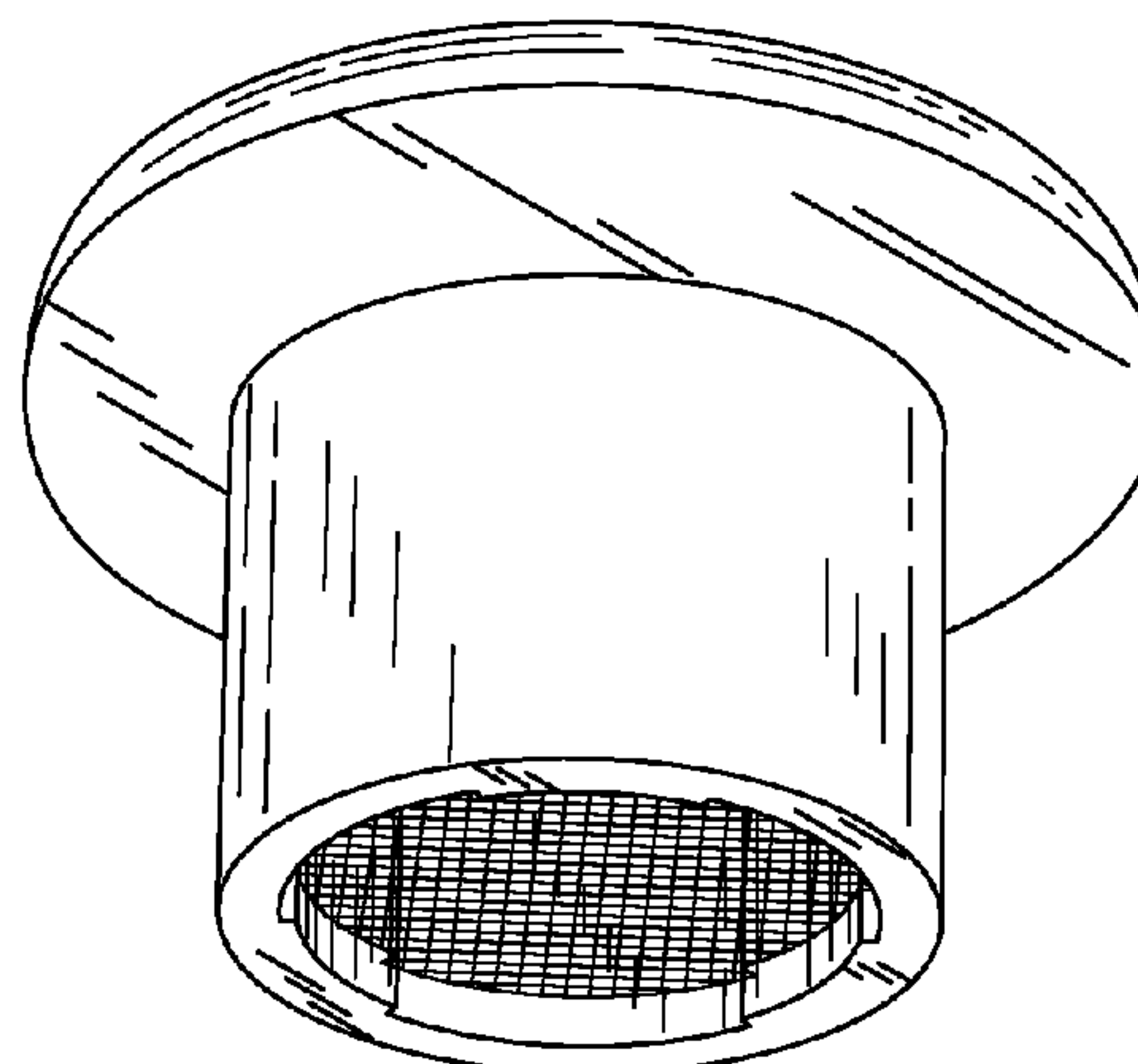
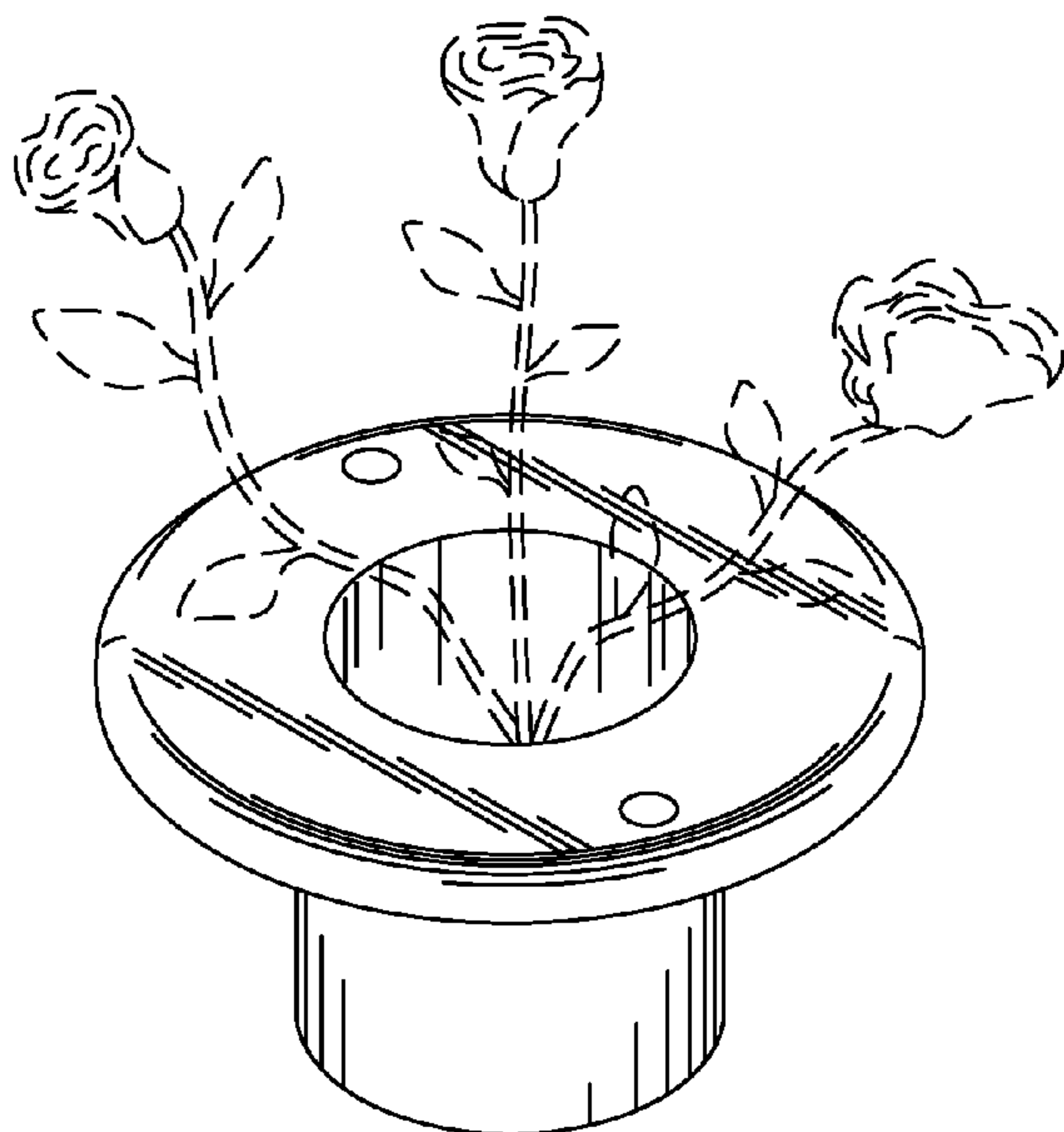
FIG. 3 is a top plan view thereof;

FIG. 4 is a bottom plan view thereof; and,

FIG. 5 is a perspective view from the bottom thereof.

The broken lines showing a plant in FIG. 1 are included for the purpose of illustrating the invention in use, and form no part of the claimed design.

1 Claim, 2 Drawing Sheets



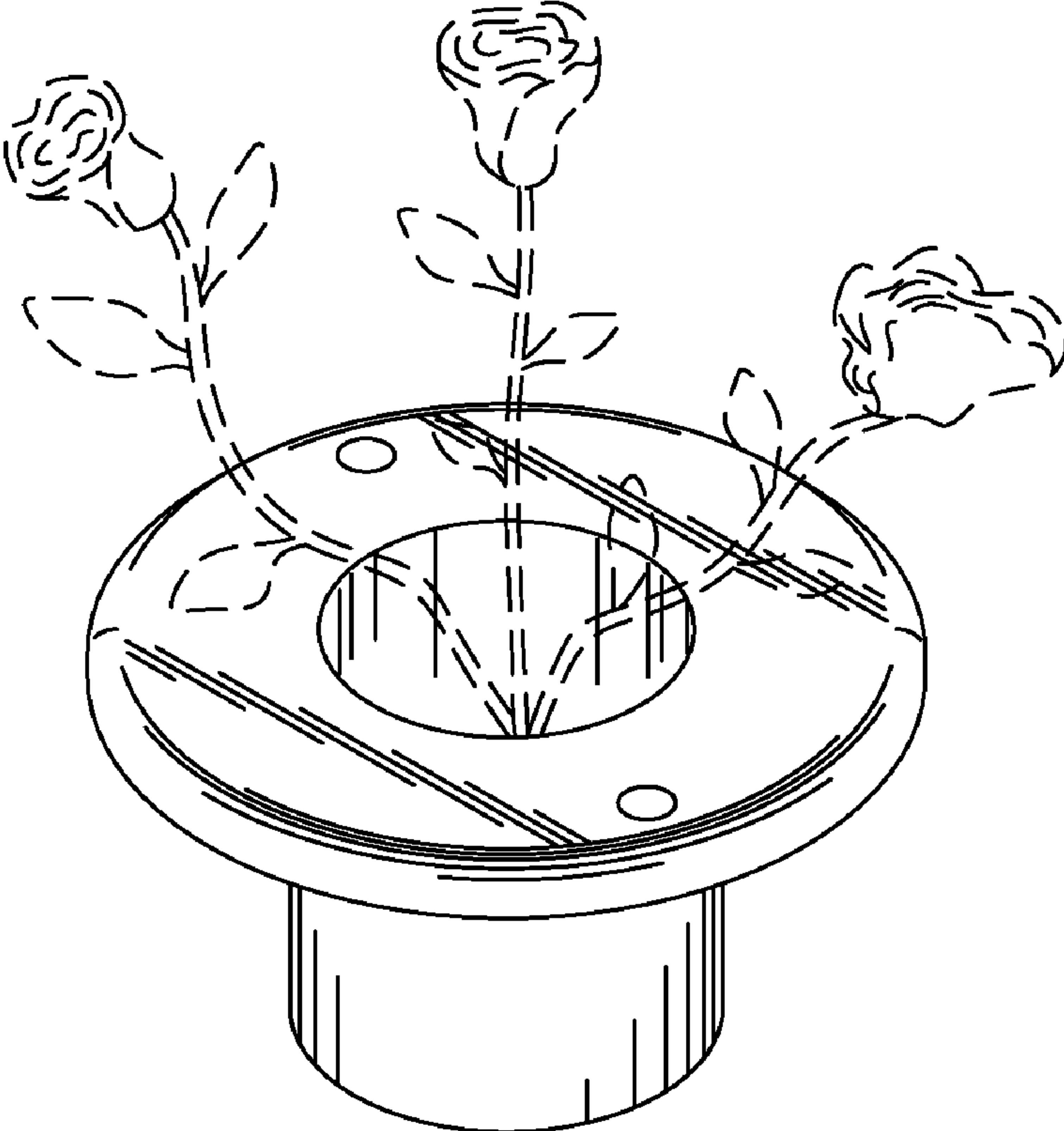


FIG. 1

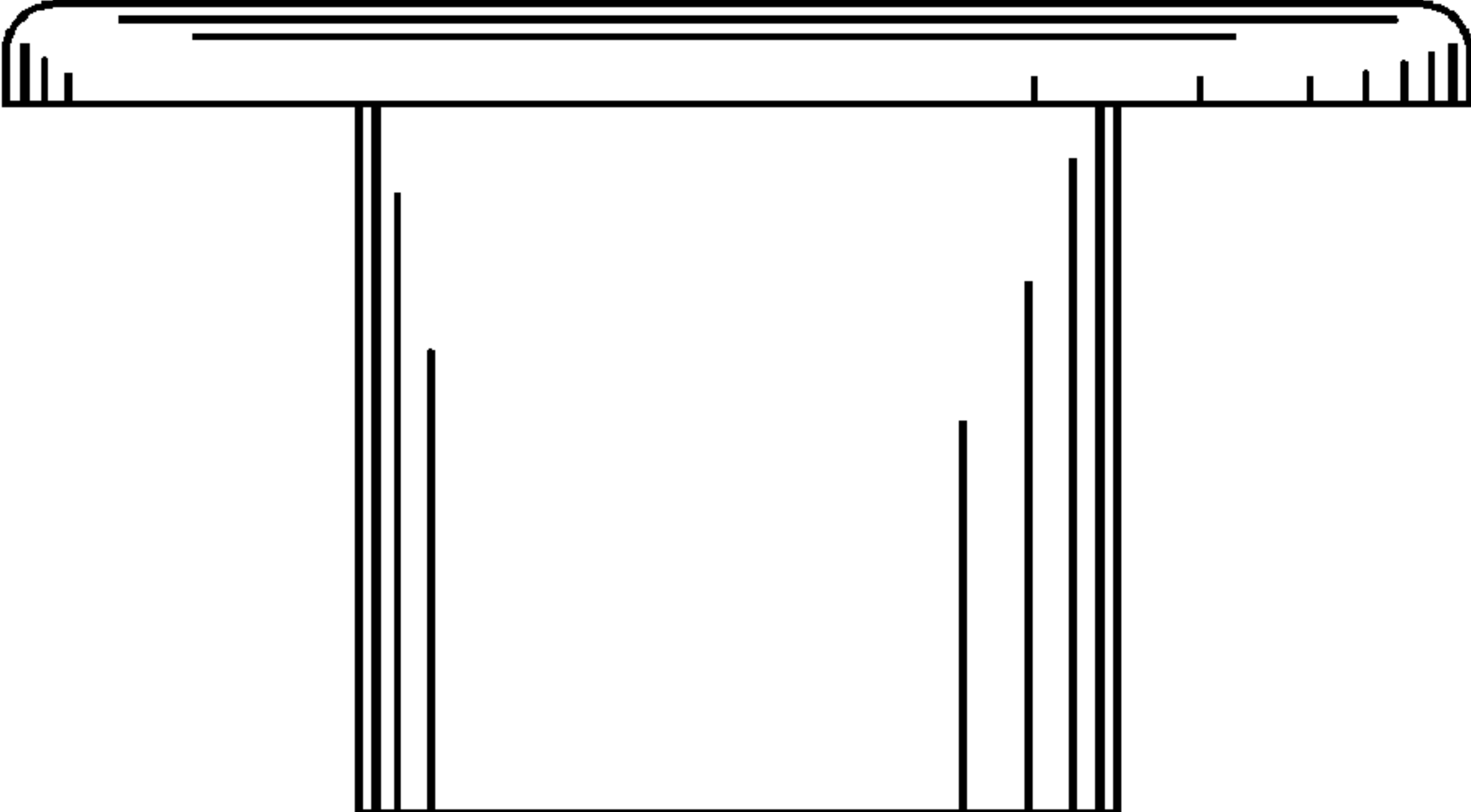


FIG. 2

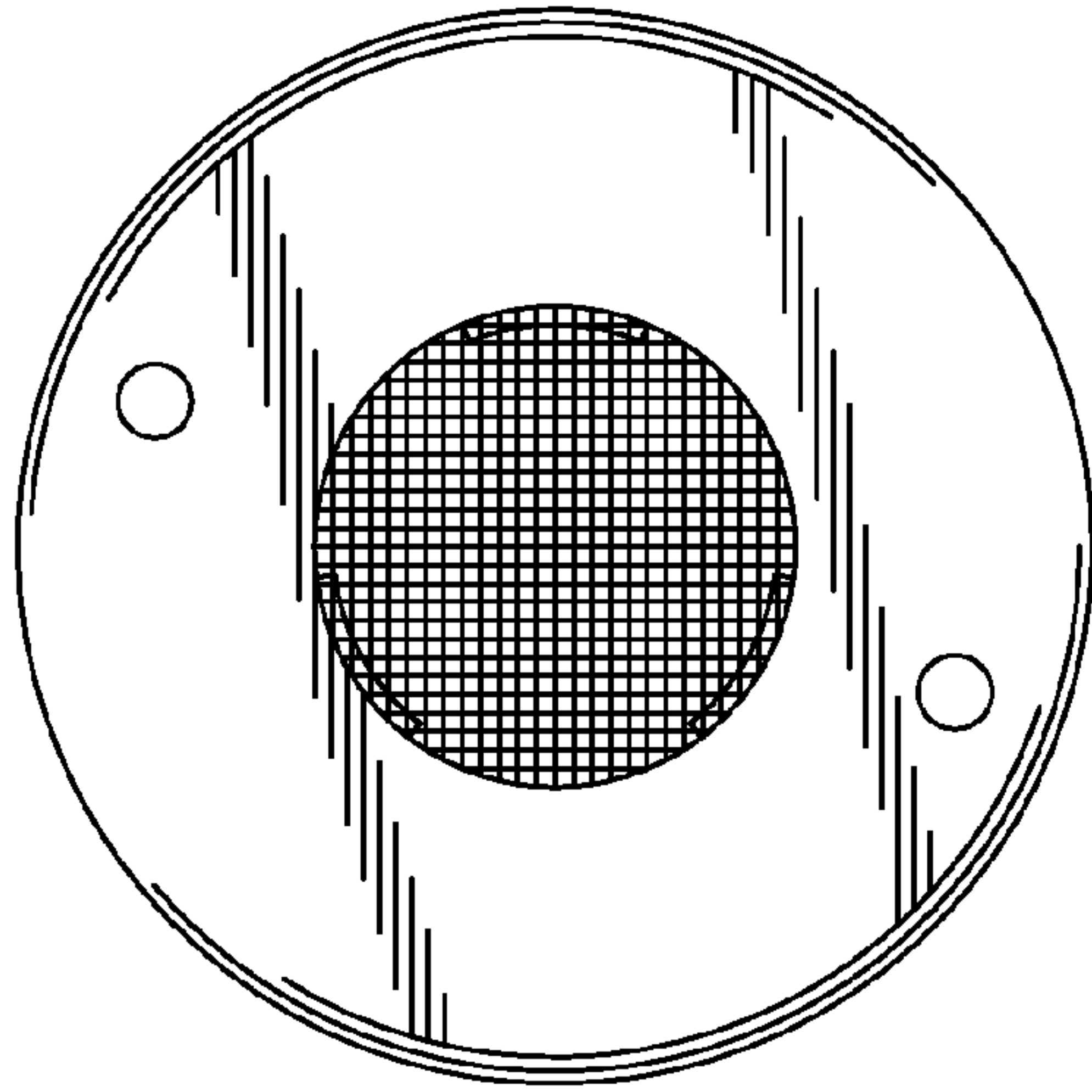


FIG. 3

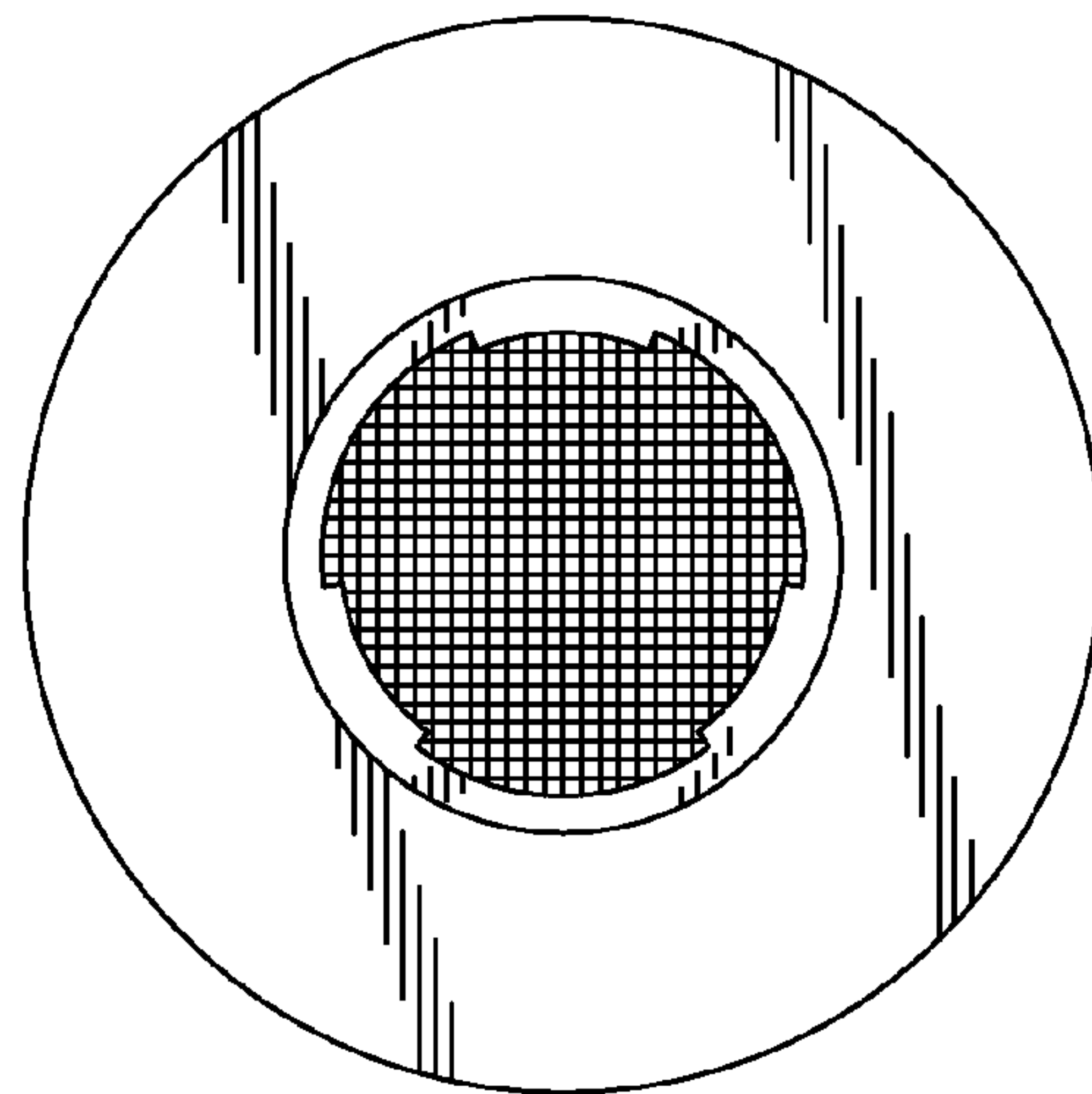


FIG. 4

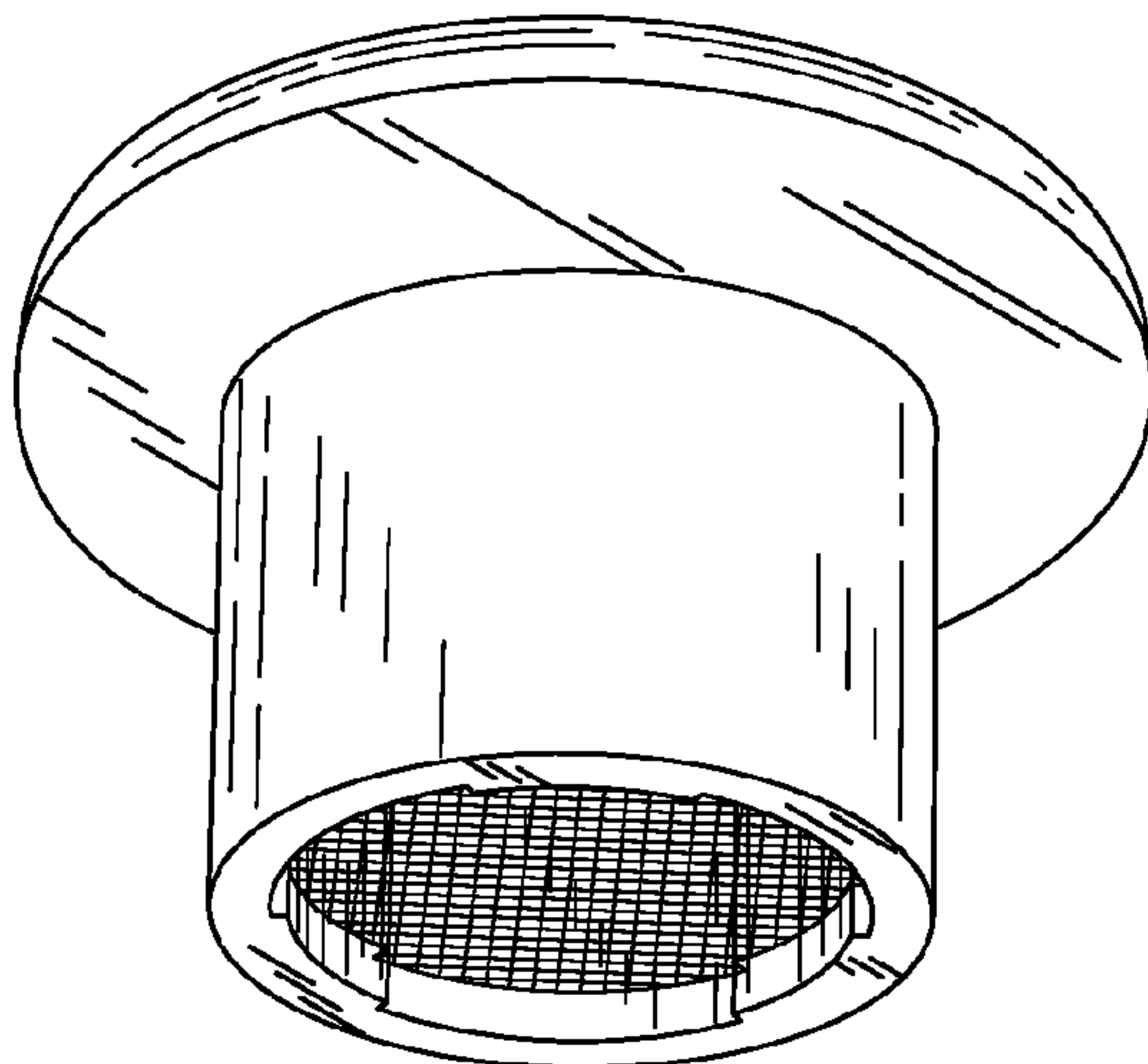


FIG. 5