



US00D613635S

(12) **United States Design Patent**
Chu

(10) **Patent No.:** **US D613,635 S**

(45) **Date of Patent:** **** Apr. 13, 2010**

(54) **AIR COMPRESSOR AND MOTOR COMBINATION**

Primary Examiner—Ralf Seifert

(74) *Attorney, Agent, or Firm*—Charles E. Baxley

(76) **Inventor:** **Henry C. Chu**, 133 N. Lemon St.,
Orange, CA (US) 92866

(57) **CLAIM**

The ornamental design for an air compressor and motor combination, as shown and described.

(**) **Term:** **14 Years**

(21) **Appl. No.:** **29/315,064**

DESCRIPTION

(22) **Filed:** **May 21, 2009**

(51) **LOC (9) Cl.** **15-02**

(52) **U.S. Cl.** **D11/9**

(58) **Field of Classification Search** D15/7-9;
D23/231, 232, 225; 417/410.1, 359, 415-416,
417/234, 321, 265, 405

See application file for complete search history.

FIG. 1 is a front perspective view of an air compressor and motor combination showing my new design;

FIG. 2 is a front elevational view thereof;

FIG. 3 is a rear elevational view thereof;

FIG. 4 is a top plan view thereof;

FIG. 5 is a bottom plan view thereof;

FIG. 6 is a left side elevational view thereof;

FIG. 7 is a right side elevational view thereof;

FIG. 8 is a rear perspective view thereof;

FIG. 9 is a front perspective view thereof, the port and the electric wires depicted by means of broken lines being for illustrative purposes only and forming no part of the claimed design; and,

FIG. 10 is a rear perspective view thereof, the port and the electric wires depicted by means of broken lines being for illustrative purposes only and forming no part of the claimed design.

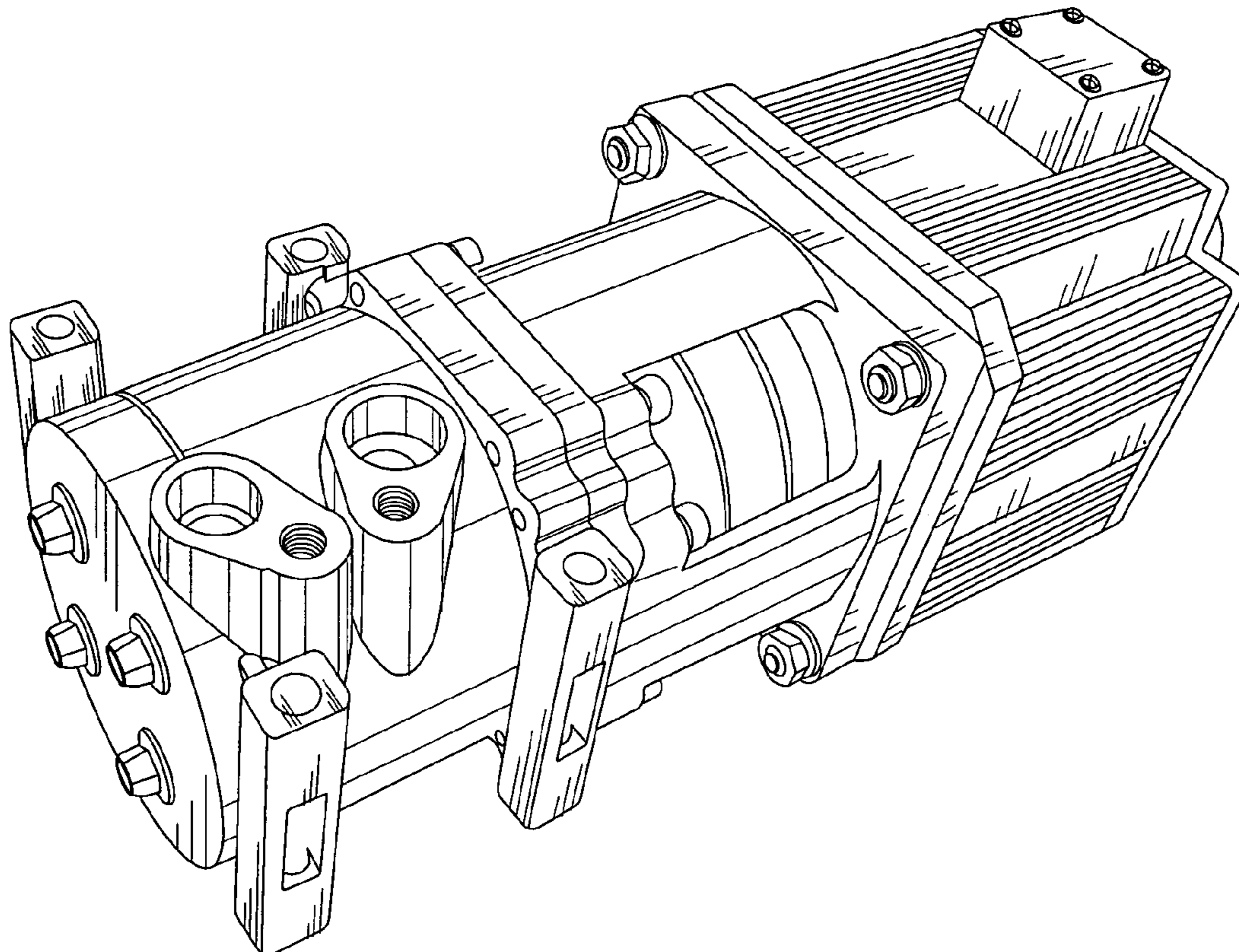
(56) **References Cited**

U.S. PATENT DOCUMENTS

D195,748 S *	7/1963	Lorenz	D15/7
D245,501 S *	8/1977	Fitch	D15/7
D264,972 S *	6/1982	McMillin et al.	D15/7
D335,292 S *	5/1993	Schnell	D15/7
D466,523 S *	12/2002	Saito	D15/9
D467,254 S *	12/2002	Ullrich	D15/9
D479,247 S *	9/2003	Ullrich	D15/9
D485,565 S *	1/2004	Martinello	D15/7
D487,473 S *	3/2004	Saito et al.	D15/9

* cited by examiner

1 Claim, 9 Drawing Sheets



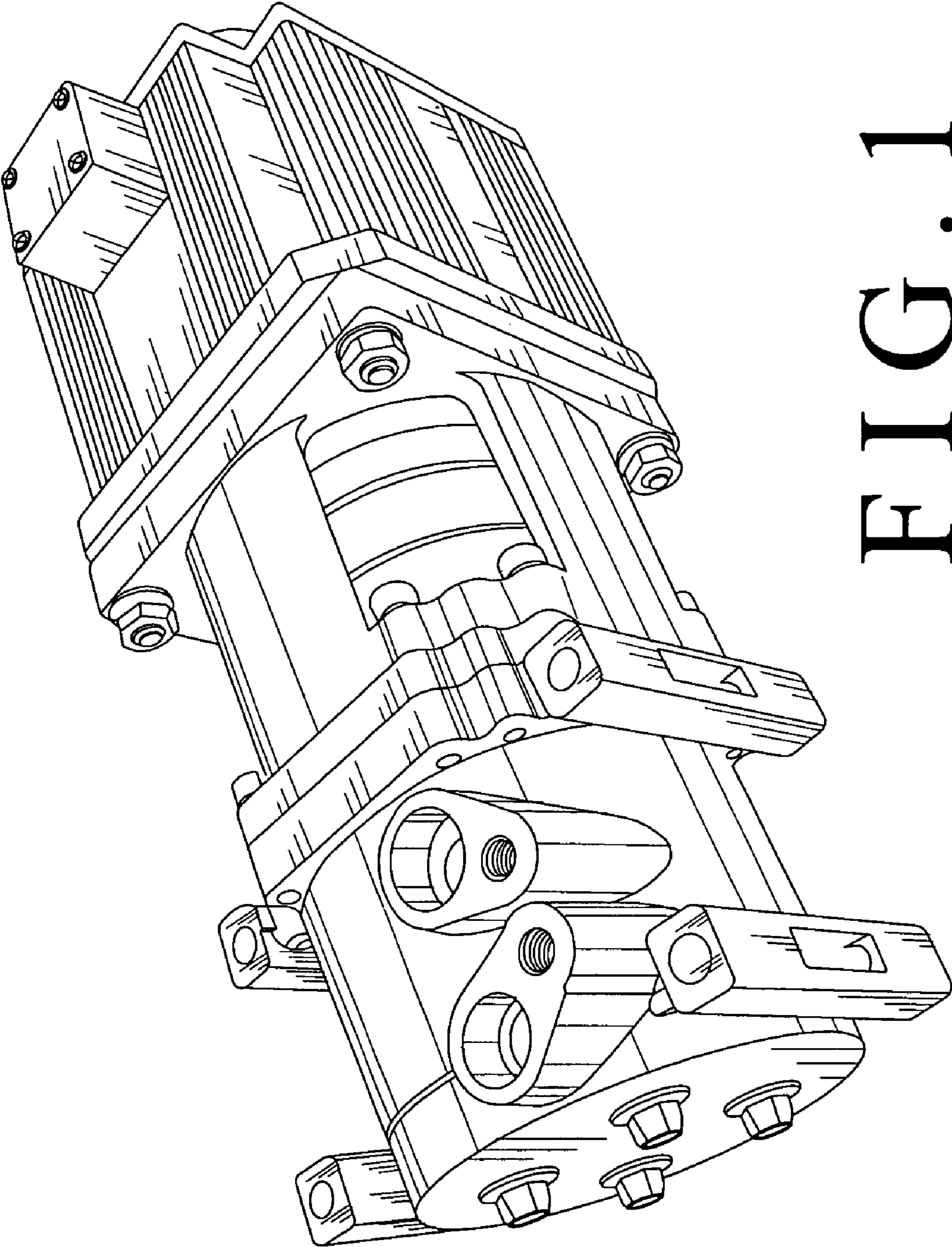


FIG. 1

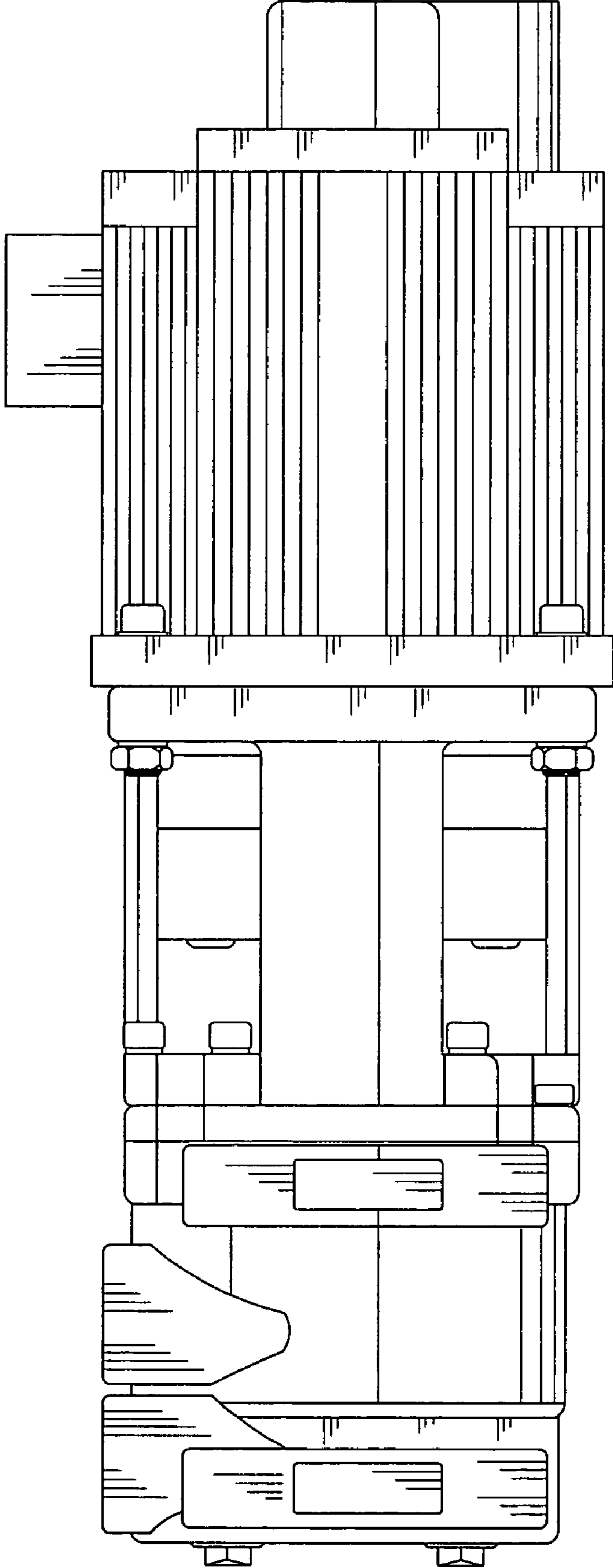


FIG. 2

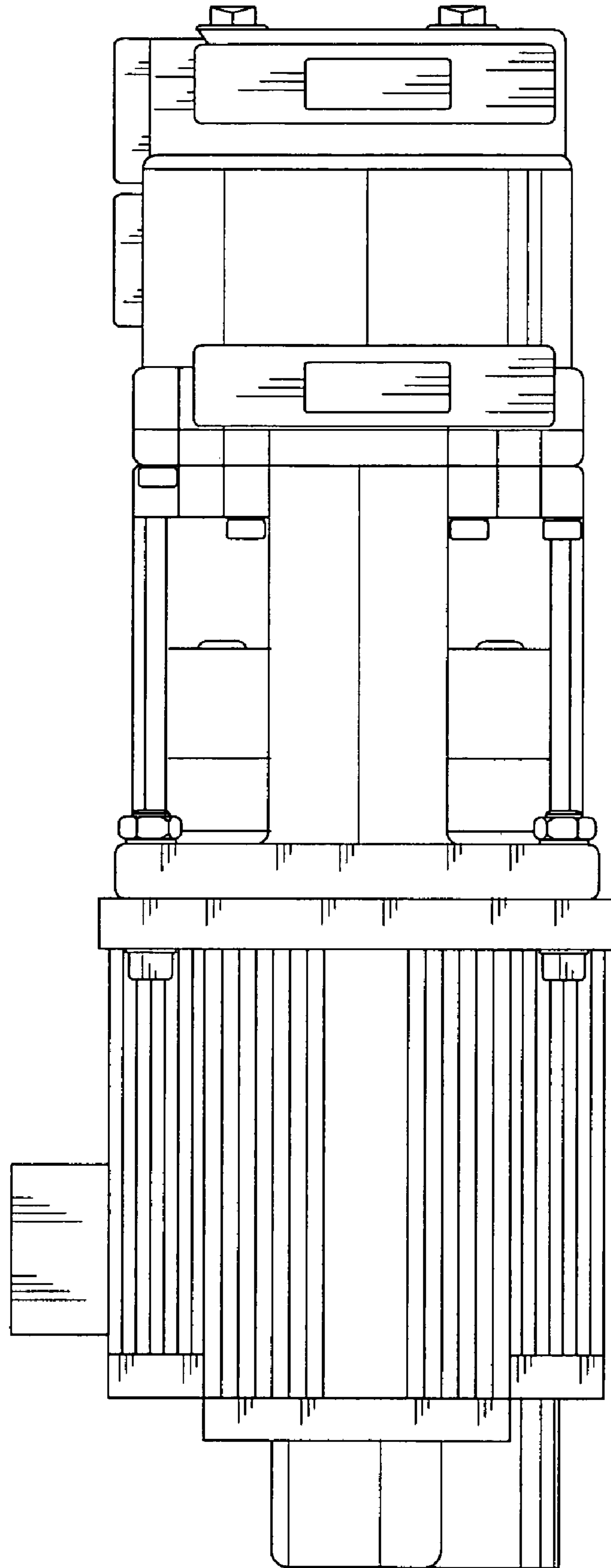


FIG. 3

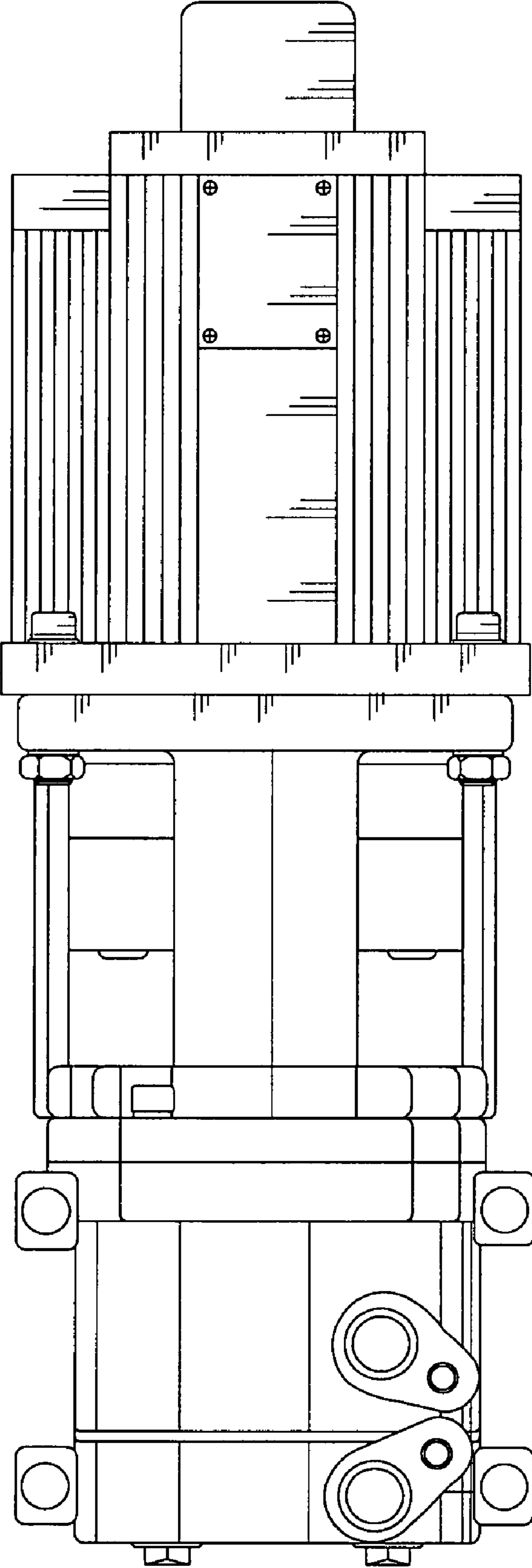


FIG. 4

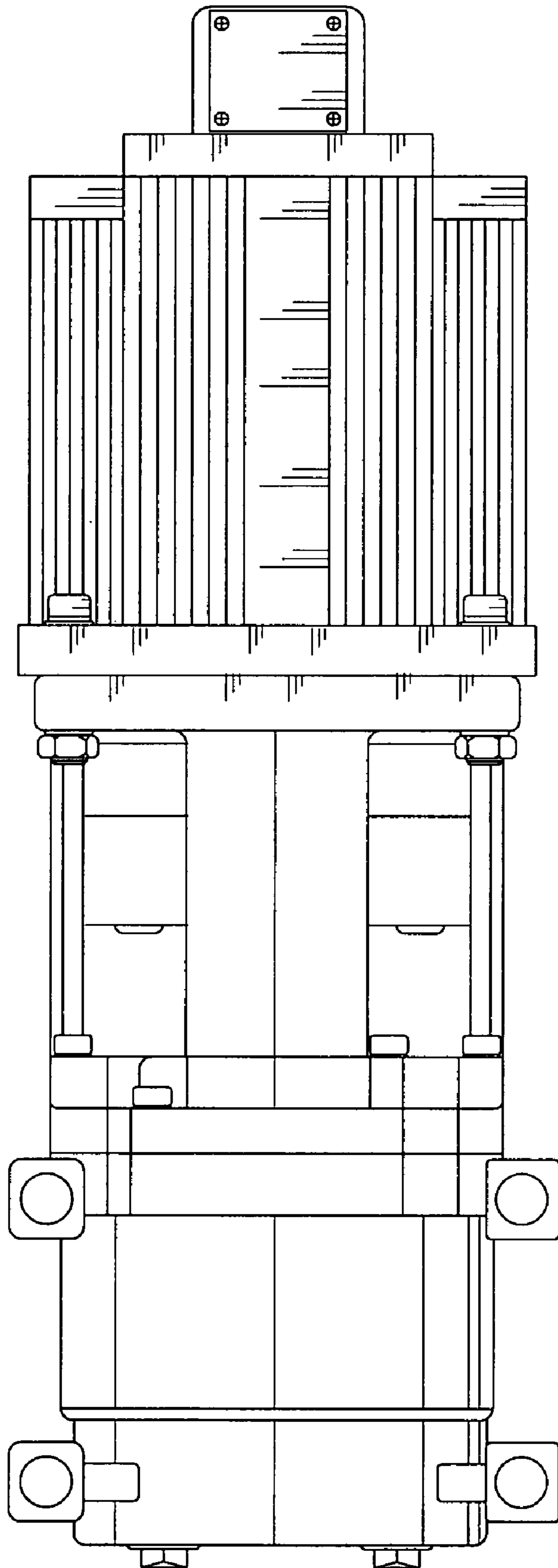


FIG. 5

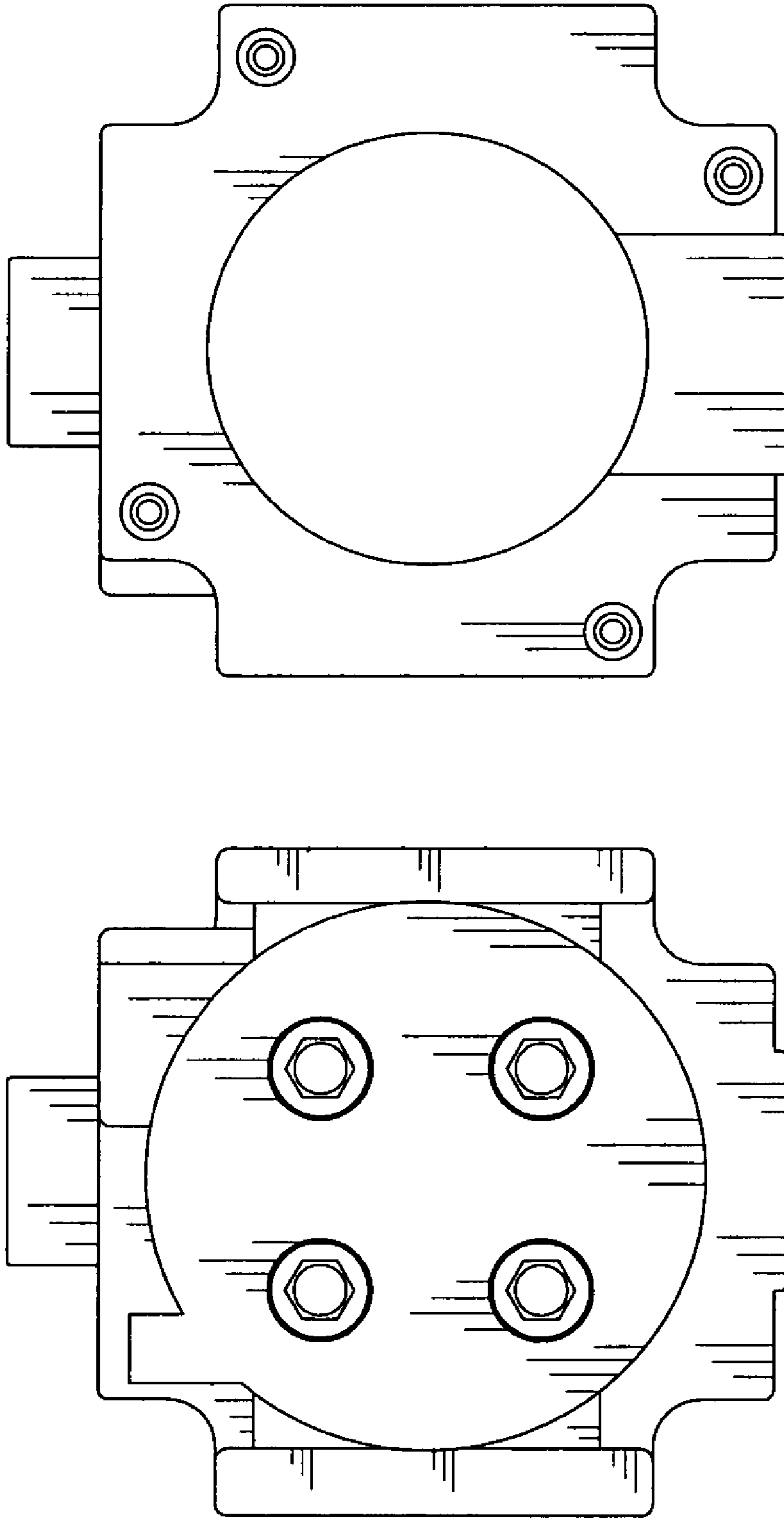


FIG. 6 FIG. 7

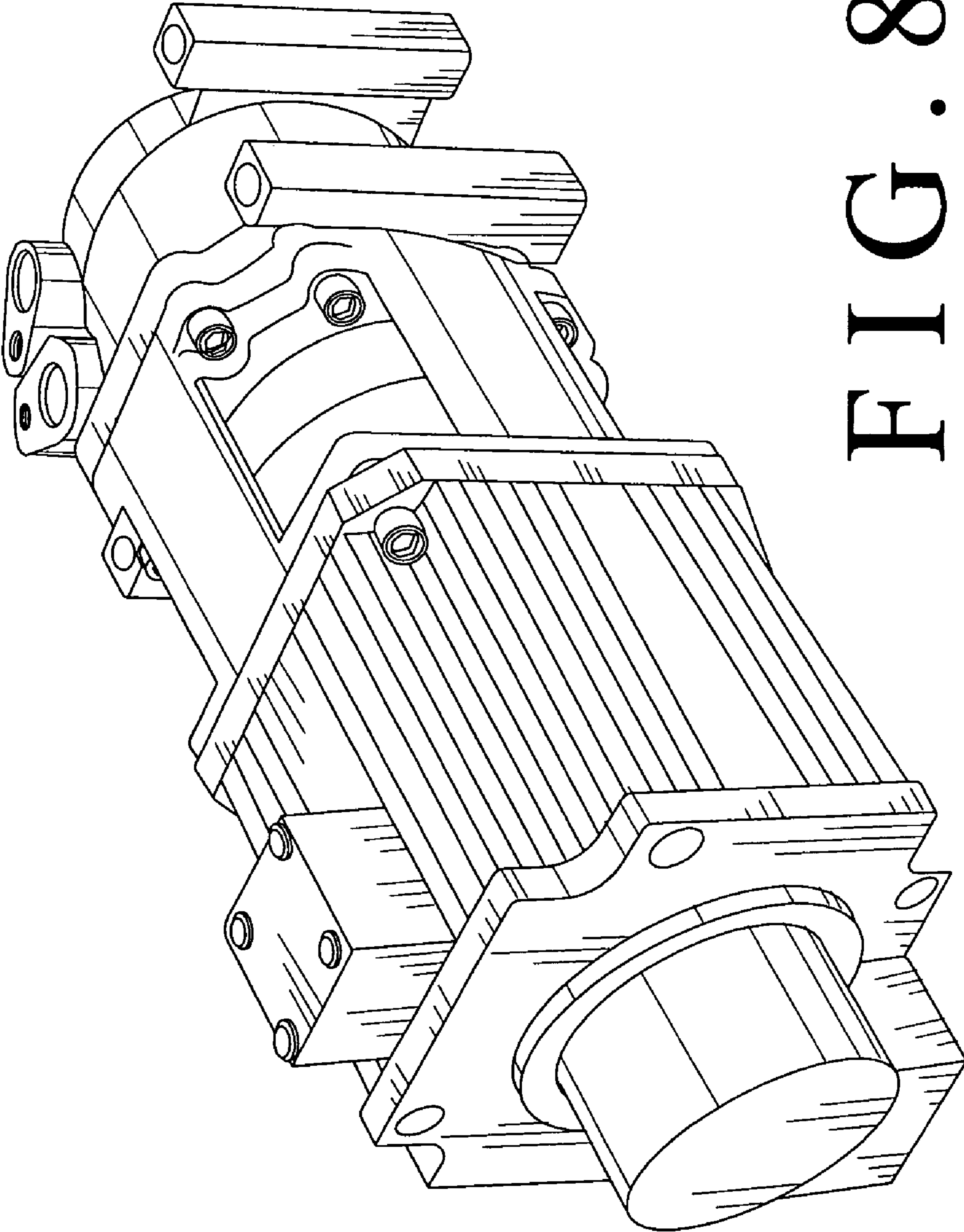


FIG. 8

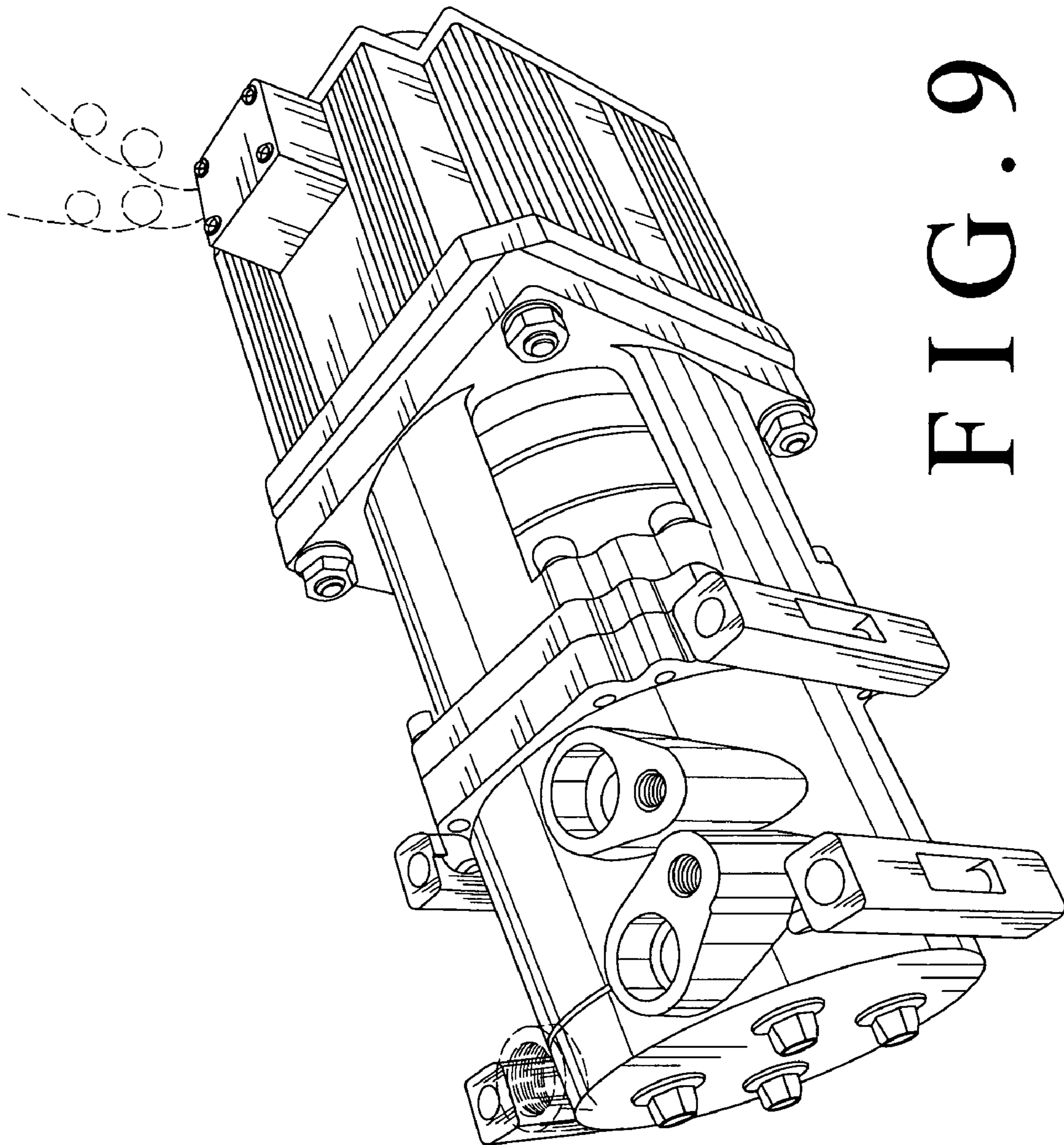


FIG. 9

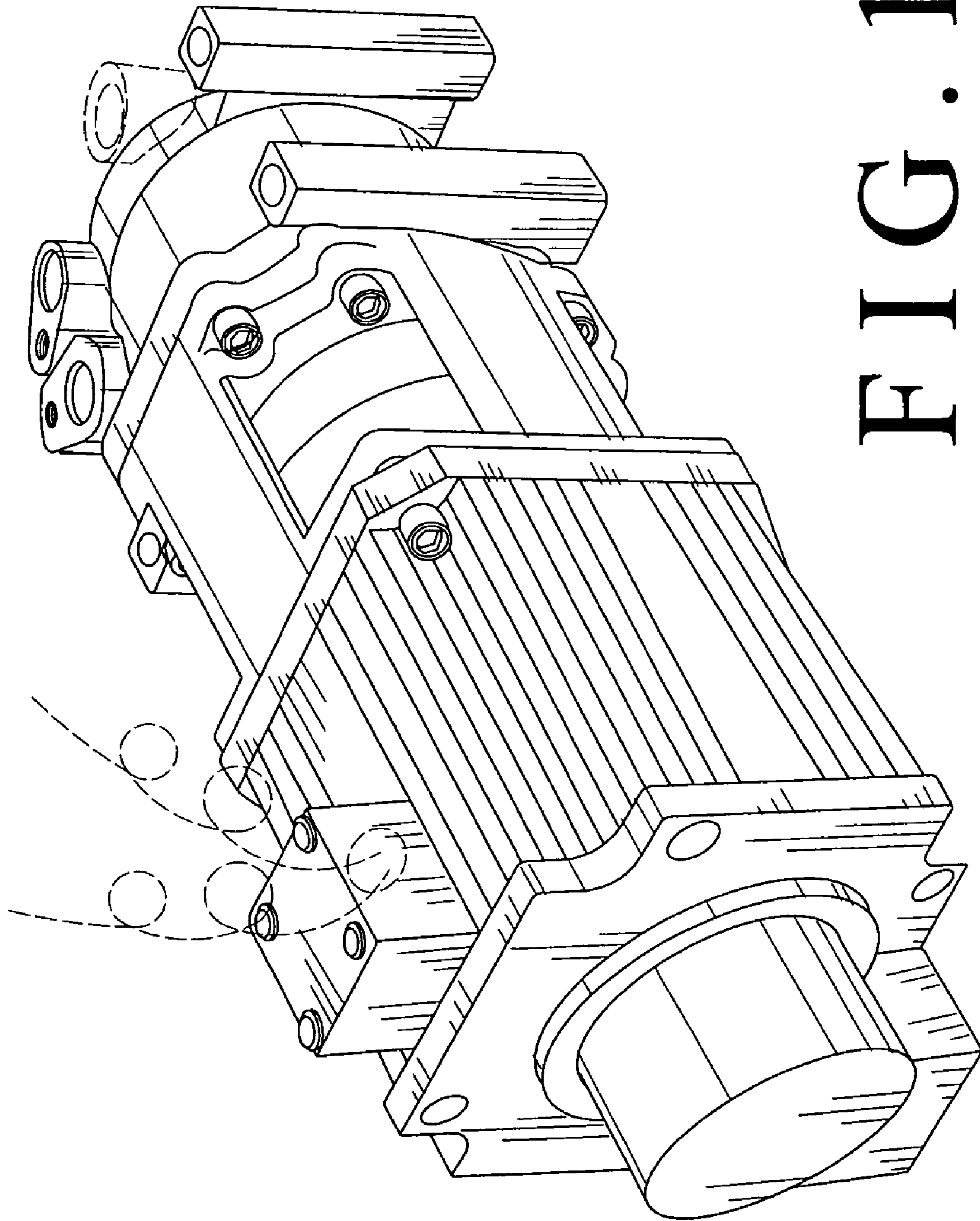


FIG. 10