



US00D613633S

(12) **United States Design Patent**
Leu et al.

(10) **Patent No.:** **US D613,633 S**
(45) **Date of Patent:** **** Apr. 13, 2010**

(54) **PUMP HOUSING**

(75) Inventors: **Shawn Leu**, Newton, WI (US); **Eric Strouf**, Sheboygan, WI (US)

(73) Assignee: **Gardner Denver Thomas, Inc.**, Sheboygan, WI (US)

(**) Term: **14 Years**

(21) Appl. No.: **29/312,039**

(22) Filed: **Sep. 26, 2008**

(51) **LOC (9) Cl.** **15-02**

(52) **U.S. Cl.** **D11/9**

(58) **Field of Classification Search** D15/7-9;
D23/231, 232, 225; 417/410.1, 359, 415-416,
417/234, 321, 265, 405

See application file for complete search history.

(56) **References Cited**

U.S. PATENT DOCUMENTS

- D377,967 S * 2/1997 Rozek et al. D23/235
- D379,996 S * 6/1997 Leu et al. D15/9
- D382,883 S * 8/1997 Breitzman et al. D15/9
- D412,174 S * 7/1999 Faulkner et al. D15/9
- D478,094 S * 8/2003 Scarth et al. D15/9

- D499,119 S * 11/2004 Thomas et al. D15/9
- D532,796 S 11/2006 Leu
- D549,734 S * 8/2007 Chern D15/7

* cited by examiner

Primary Examiner—Ralf Seifert

(74) *Attorney, Agent, or Firm*—James B. Conte; HBSWK

(57) **CLAIM**

The ornamental design for a pump housing, as shown and described.

DESCRIPTION

FIG. 1 is a top plan view of the pump housing design;

FIG. 2 is a front elevational view thereof;

FIG. 3 is a bottom view thereof;

FIG. 4 is a left side elevational view thereof;

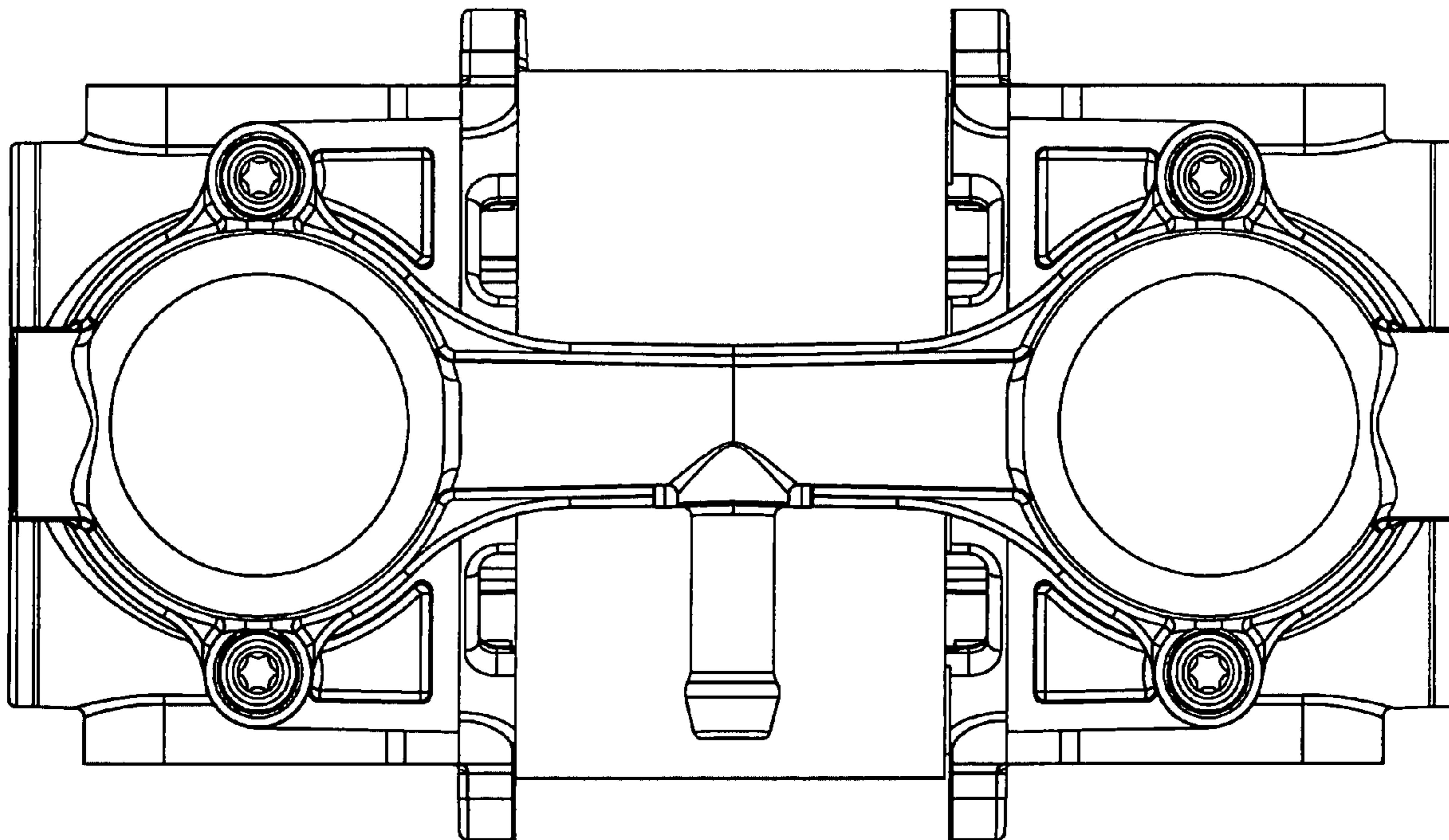
FIG. 5 is a rear elevational view thereof;

FIG. 6 is a right side elevational view thereof; and,

FIG. 7 is a perspective view taken from the top, front and left side thereof.

The phantom line showing of environment is for illustrative purposes only.

1 Claim, 7 Drawing Sheets



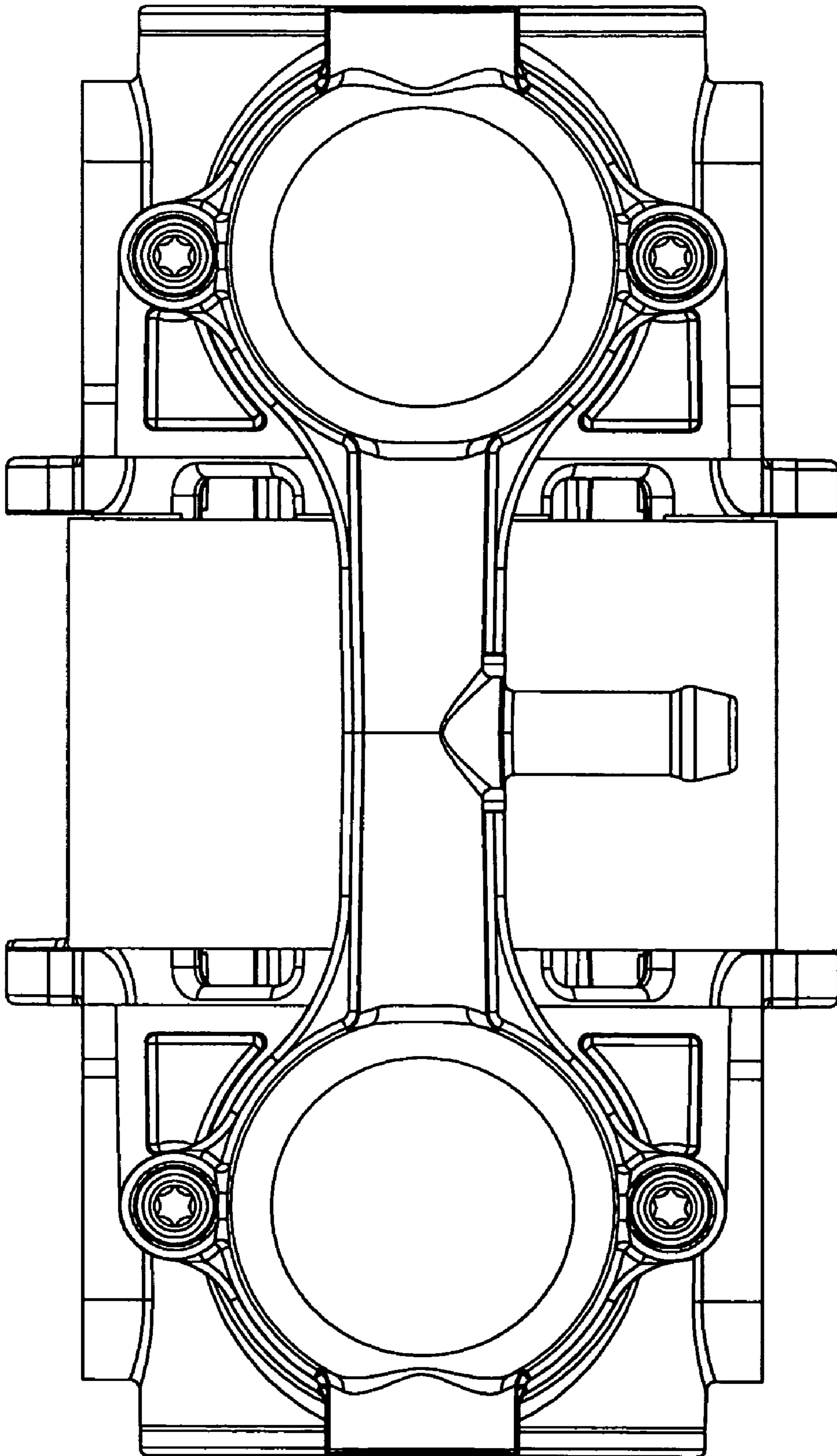


Fig. 1

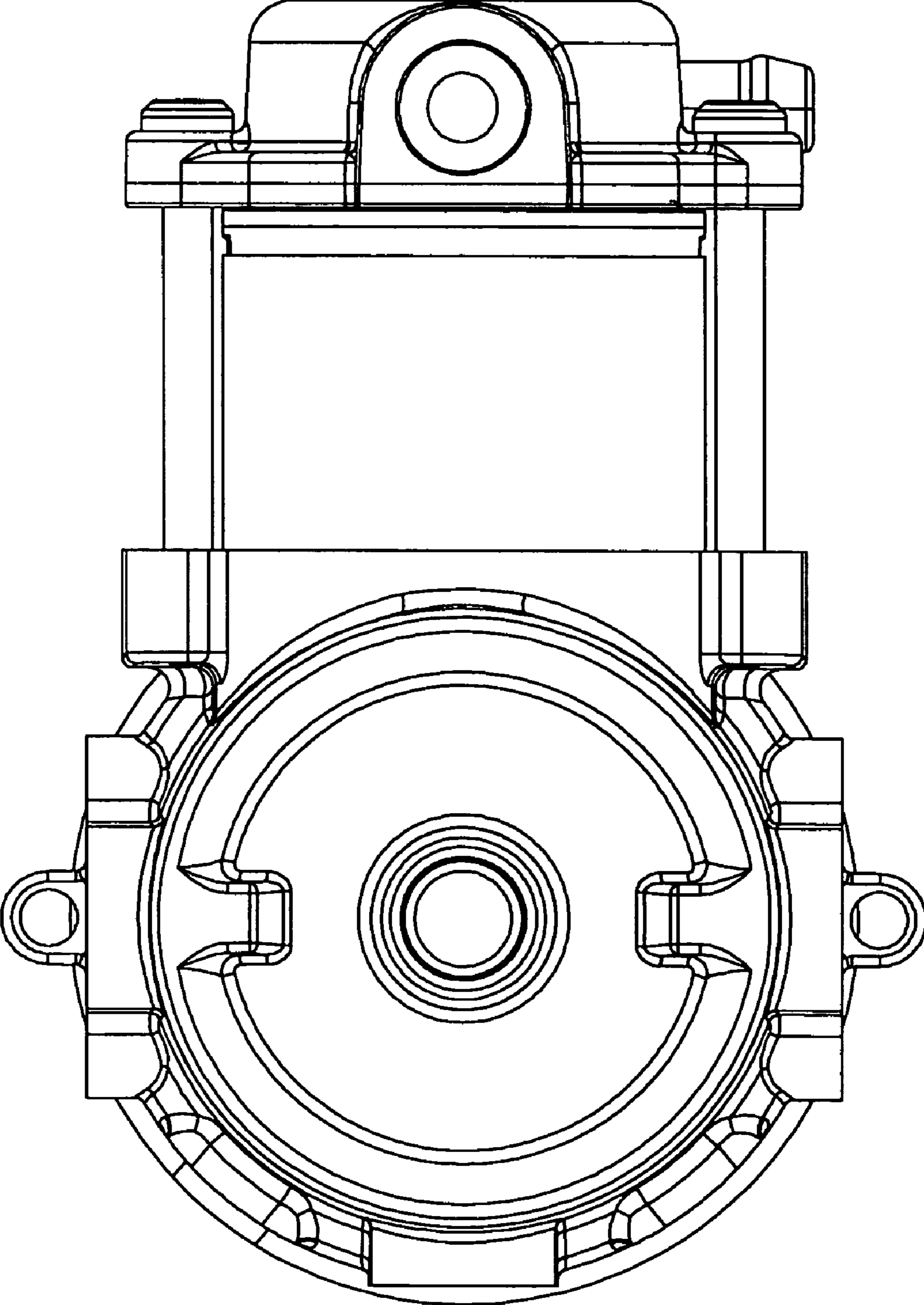


Fig. 2

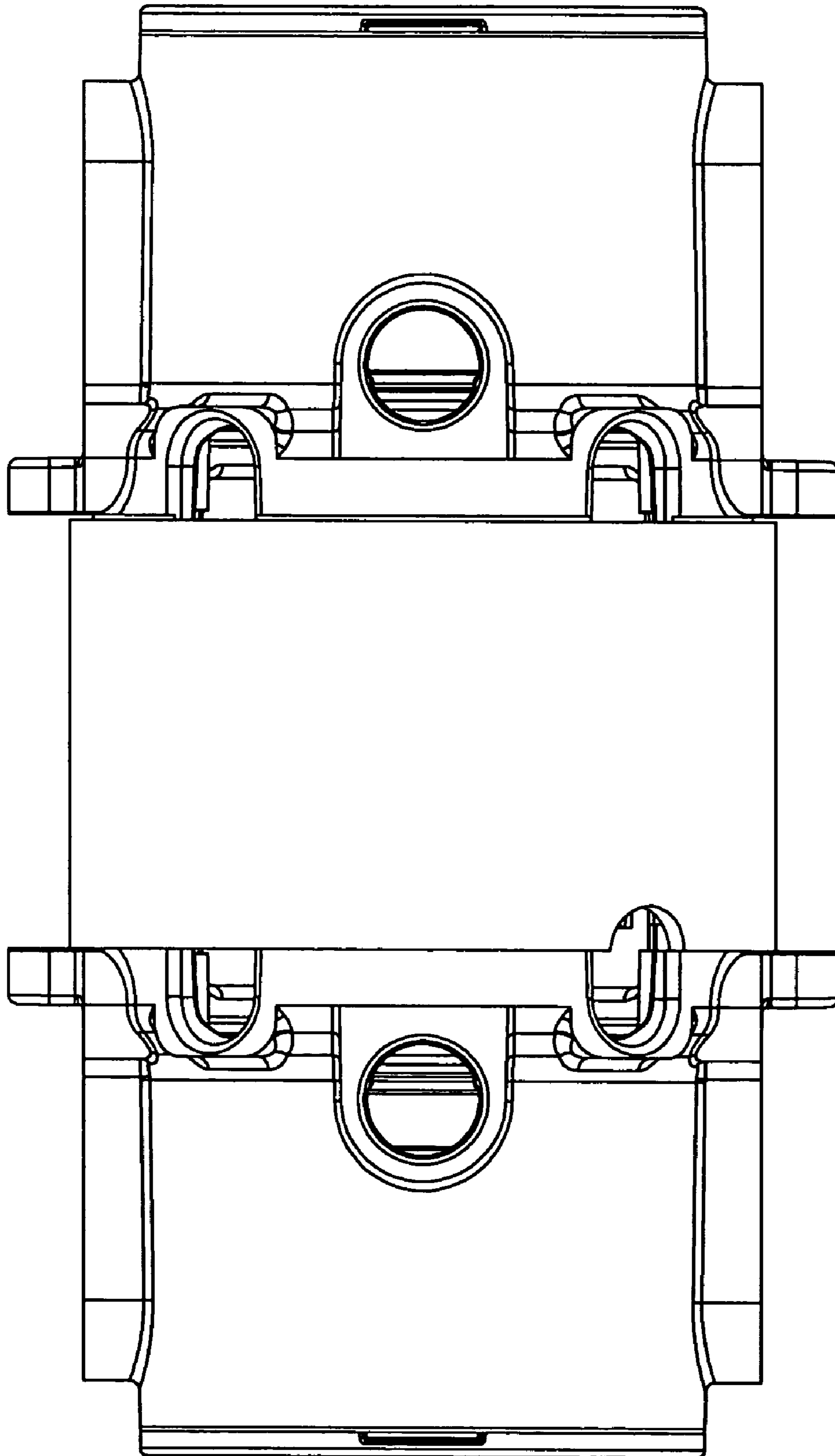


Fig. 3

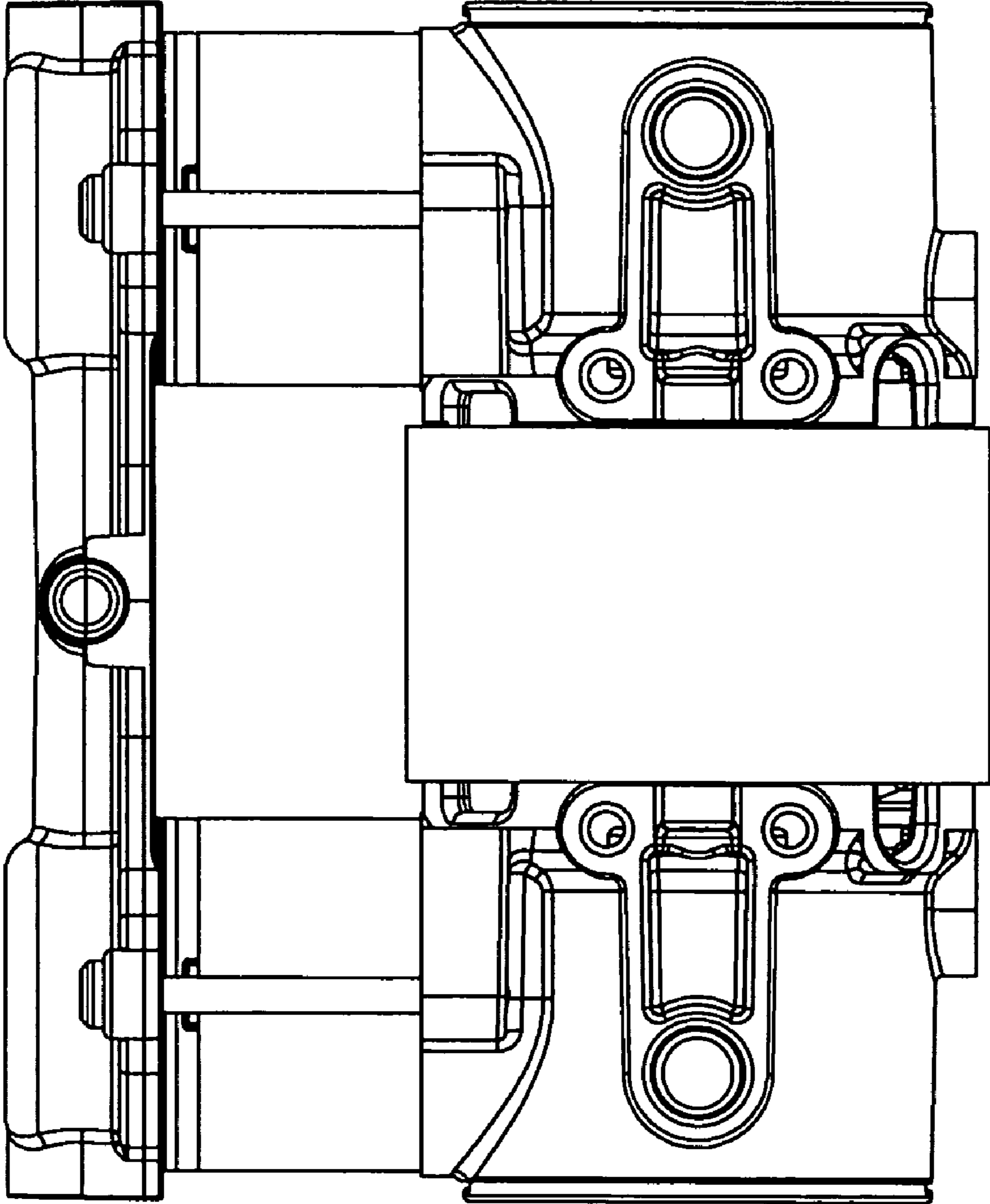


Fig. 4

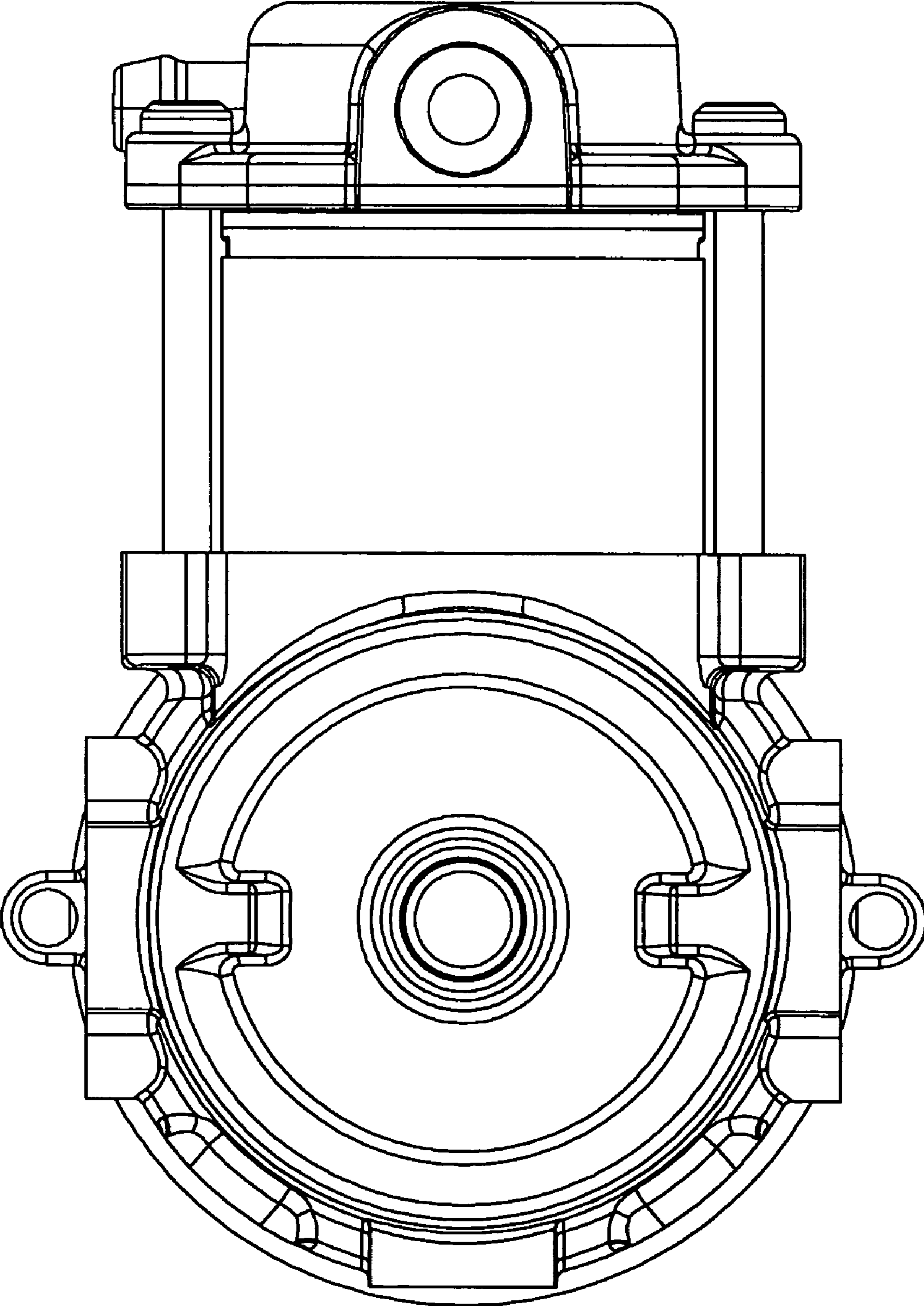


Fig. 5

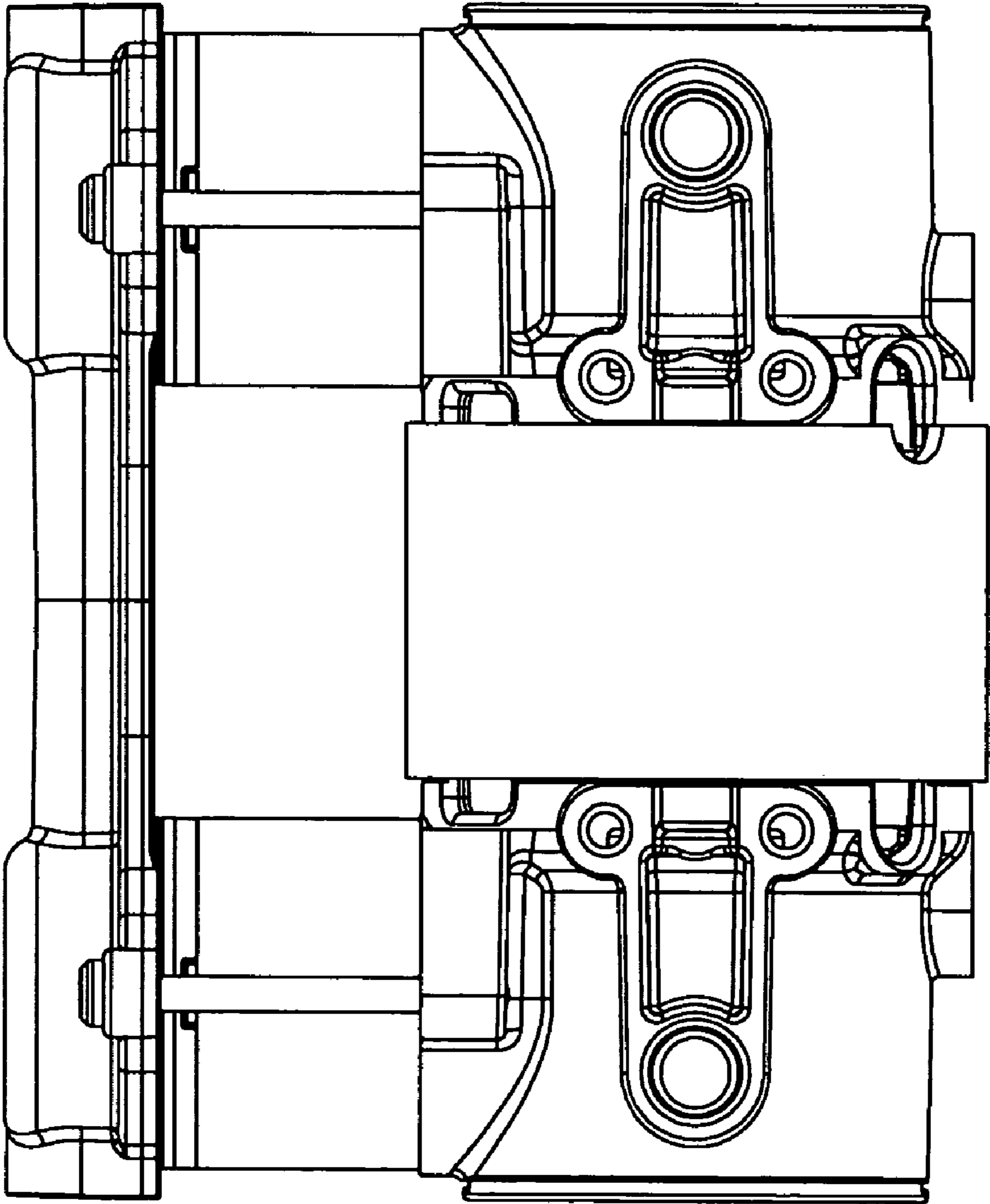


Fig. 6

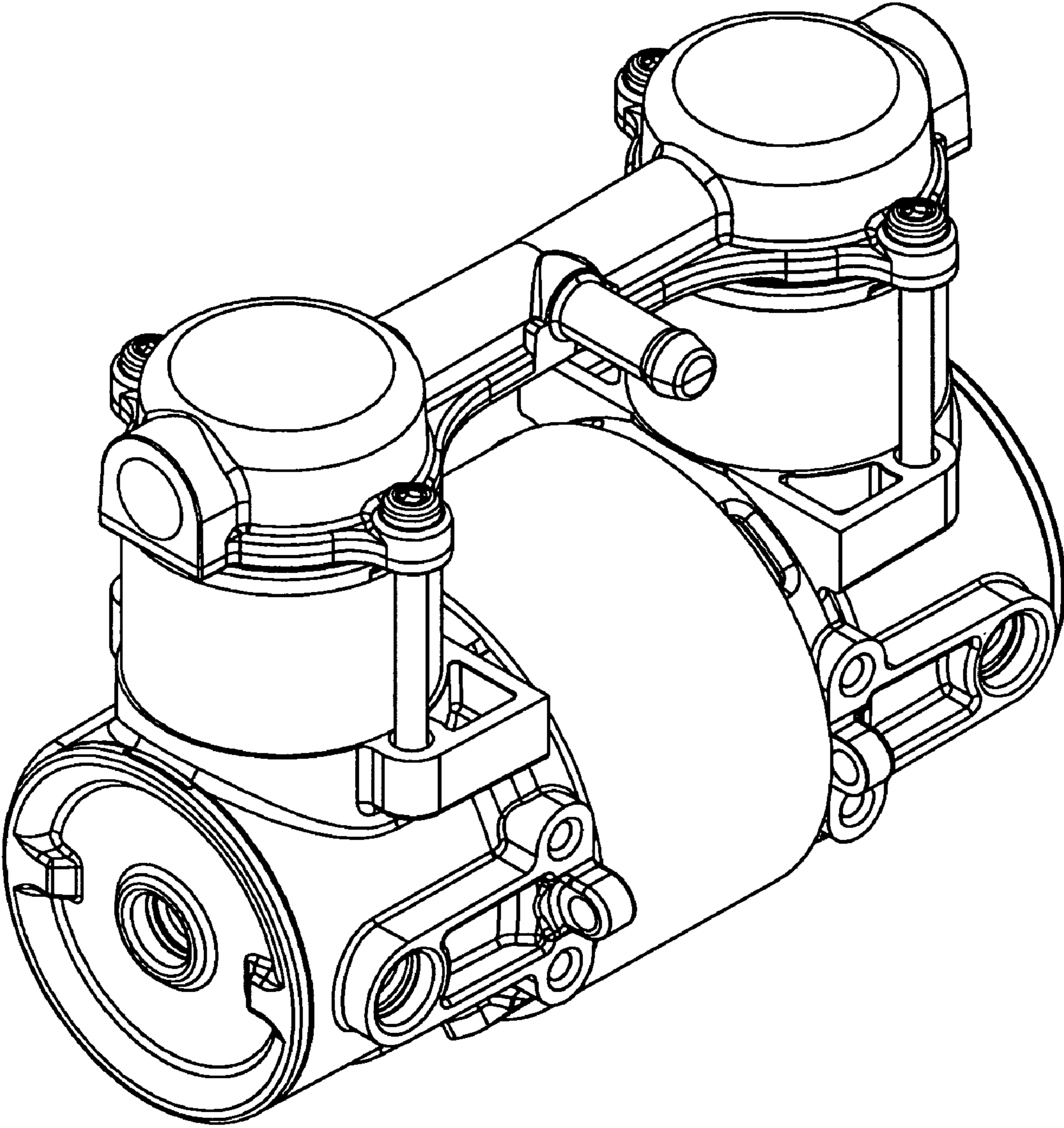


Fig. 7