



US00D613631S

(12) **United States Design Patent**  
**Roys**

(10) **Patent No.:** **US D613,631 S**  
(45) **Date of Patent:** **\*\* Apr. 13, 2010**

(54) **CYCLE INDICATOR FOR FLUID DISTRIBUTION SYSTEMS**

7,461,670 B1 12/2008 Roys

\* cited by examiner

(76) Inventor: **Curtis Roys**, 3201 W. Wall St., Midland, TX (US) 79701

*Primary Examiner*—Antoine D Davis  
(74) *Attorney, Agent, or Firm*—Scheinberg & Griner, LLP; Michael O. Scheinberg; David Griner

(\*\*) Term: **14 Years**

(21) Appl. No.: **29/336,545**

(57) **CLAIM**

(22) Filed: **May 5, 2009**

The ornamental design for a cycle indicator for fluid distribution systems, as shown and described.

**Related U.S. Application Data**

**DESCRIPTION**

(60) Continuation of application No. 29/319,038, filed on Jun. 3, 2008, now Pat. No. Des. 591,627, which is a continuation of application No. 29/304,491, filed on Mar. 3, 2008, now Pat. No. Des. 570,236, which is a division of application No. 11/186,461, filed on Jul. 21, 2005, now Pat. No. 7,461,670.

FIG. 1 is a front perspective view of the cycle indicator for fluid distribution systems according to the present design.

FIG. 2 is a front view of the cycle indicator for fluid distribution systems according to the present design.

FIG. 3 is a back view of the cycle indicator for fluid distribution systems according to the present design.

(51) **LOC (9) Cl.** ..... **10-04**

(52) **U.S. Cl.** ..... **D10/101**

(58) **Field of Classification Search** ..... D10/101;  
137/553, 556, 559; 251/33, 41, 65; 92/5 R;  
116/277

FIG. 4 is a top view of the cycle indicator for fluid distribution systems.

FIG. 5 is a bottom view of the cycle indicator for fluid distribution systems.

See application file for complete search history.

FIG. 6 is a right side view of the cycle indicator for fluid distribution systems; and,

FIG. 7 is a left side view of the cycle indicator for fluid distribution systems.

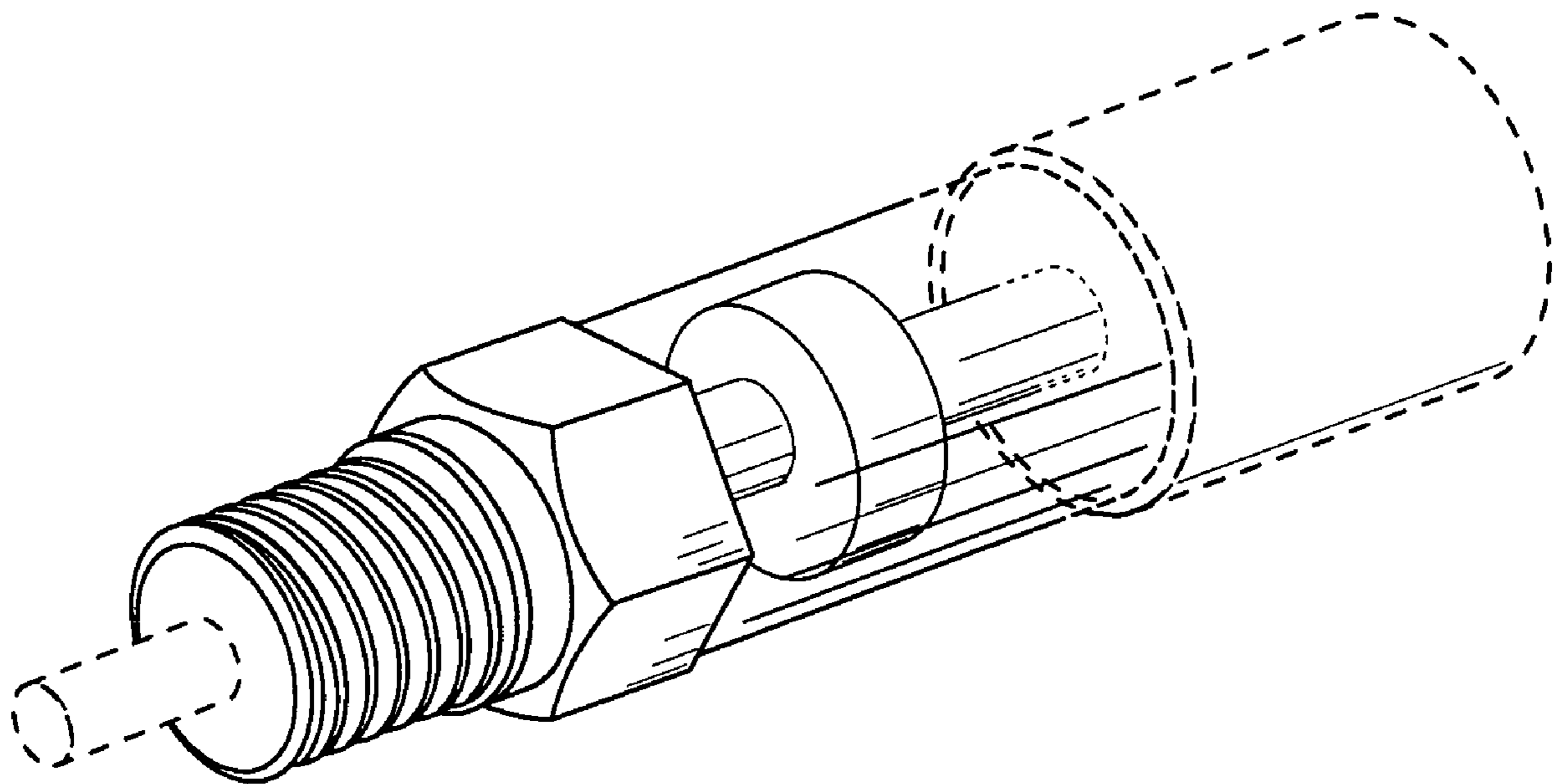
(56) **References Cited**

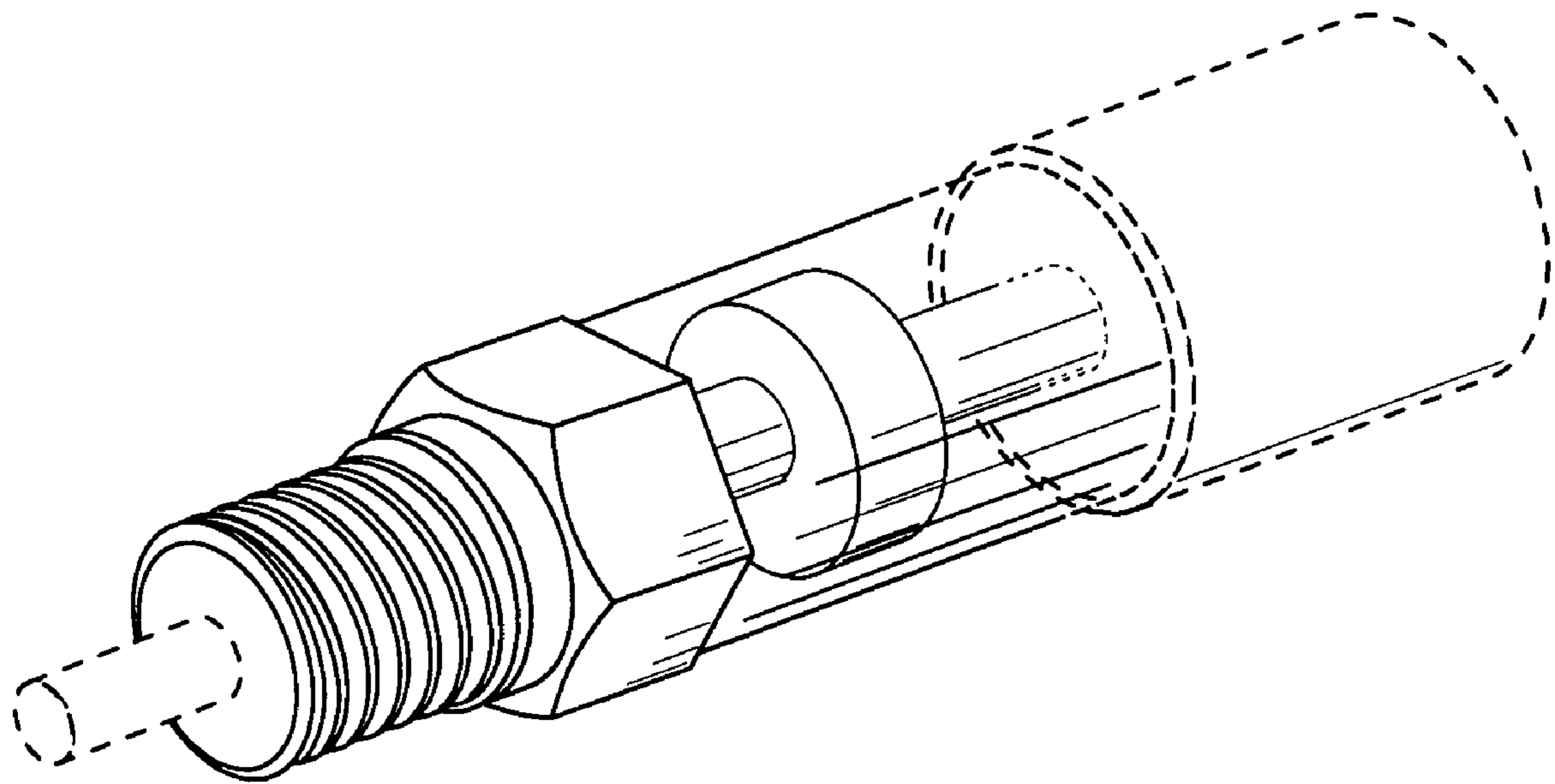
**U.S. PATENT DOCUMENTS**

- 5,835,372 A 11/1998 Roys et al.
- 6,041,815 A 3/2000 Nichols
- 6,823,270 B1 11/2004 Roys
- 7,437,988 B2 \* 10/2008 Andersson et al. .... 92/5 R
- 7,451,684 B2 \* 11/2008 Muller et al. .... 91/1

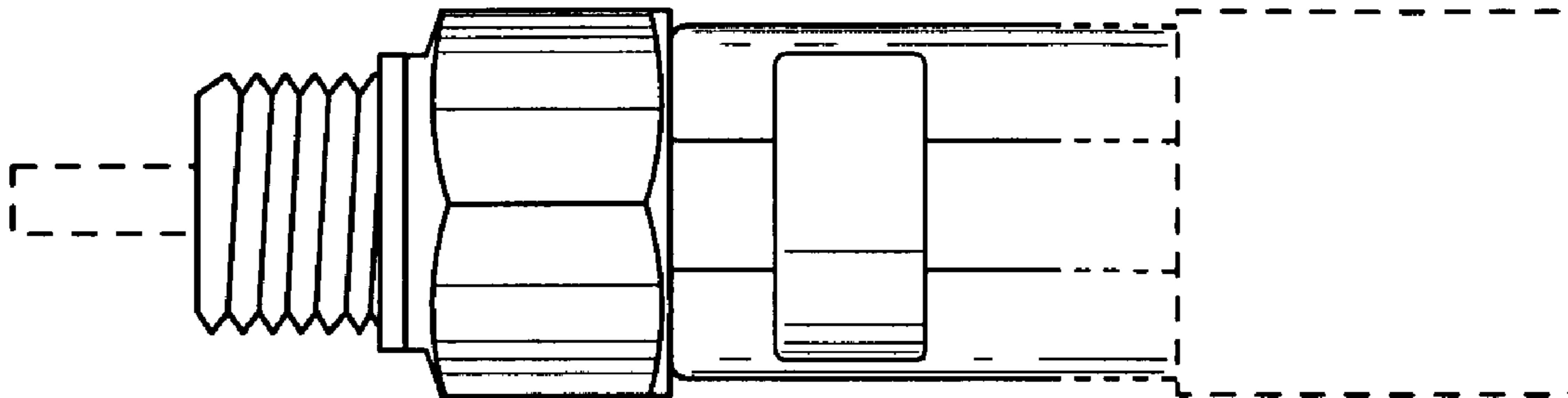
The broken line showing of structural features is included for the purpose of illustrating non-claimed subject matter and forms no part of the claimed design.

**1 Claim, 3 Drawing Sheets**

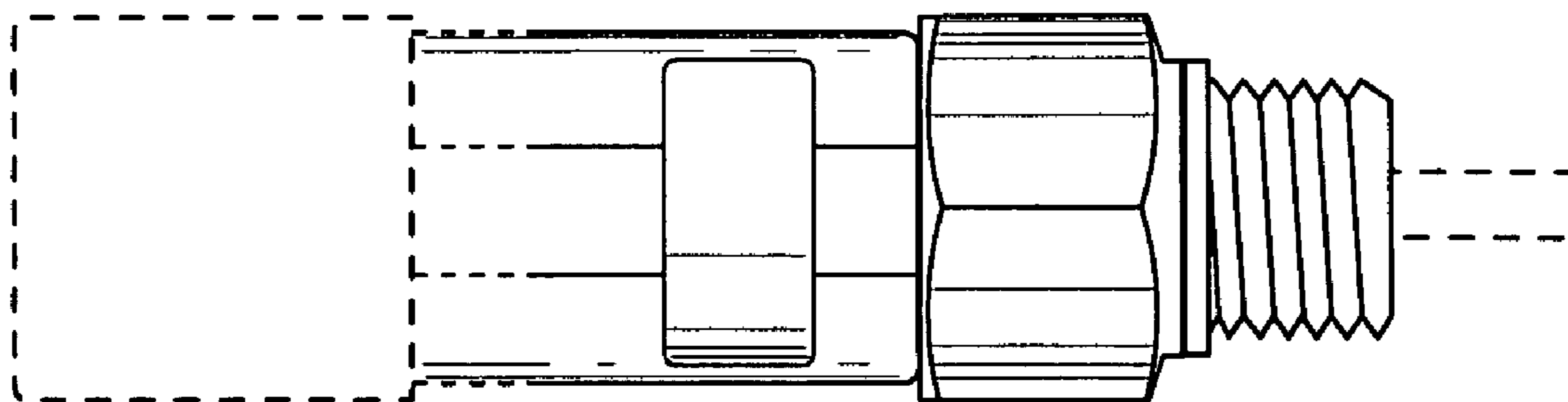




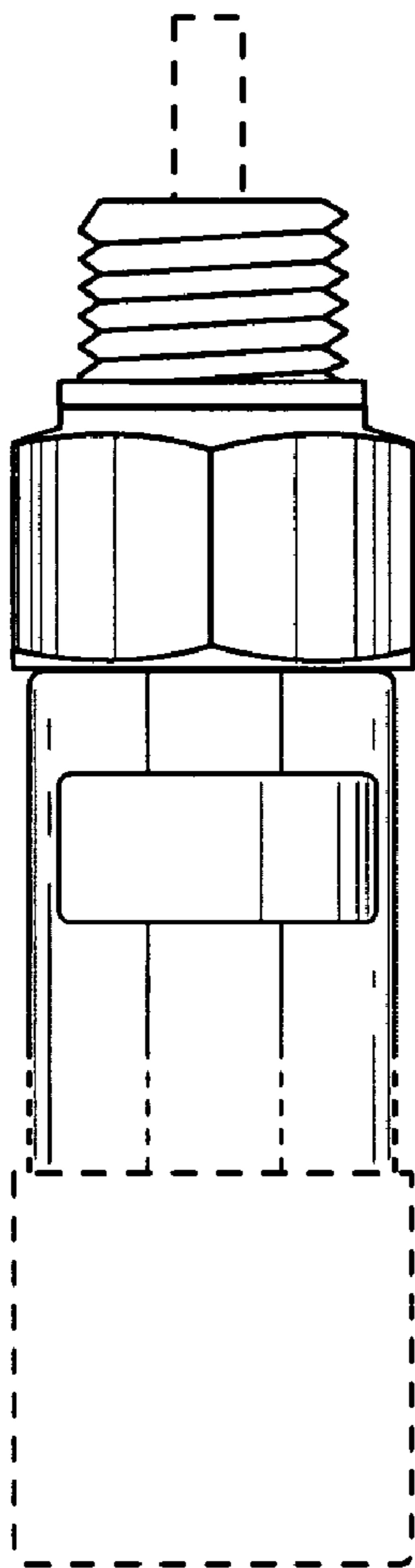
*FIG. 1*



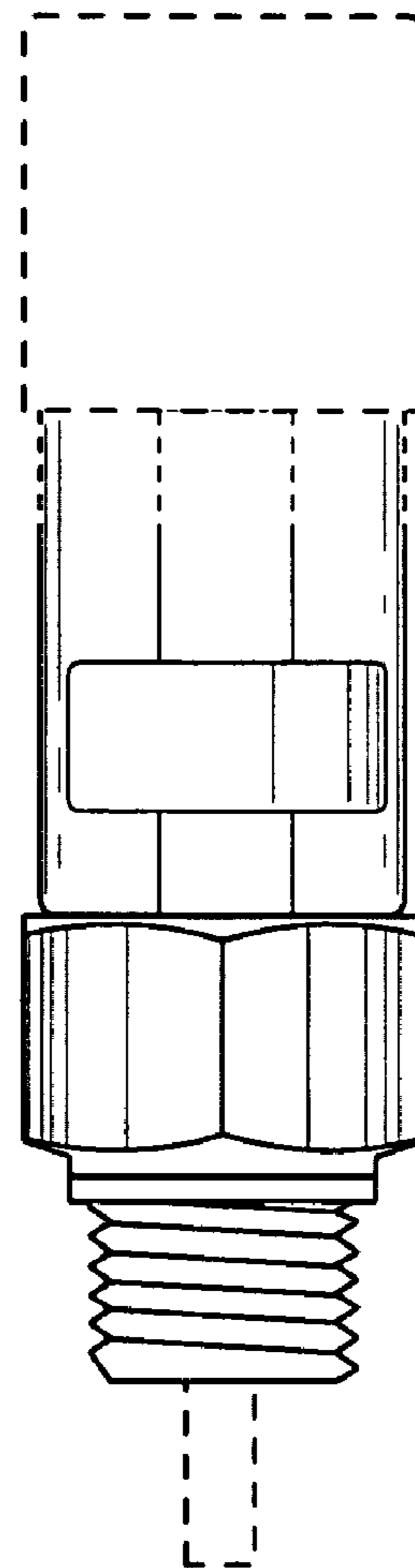
*FIG. 2*



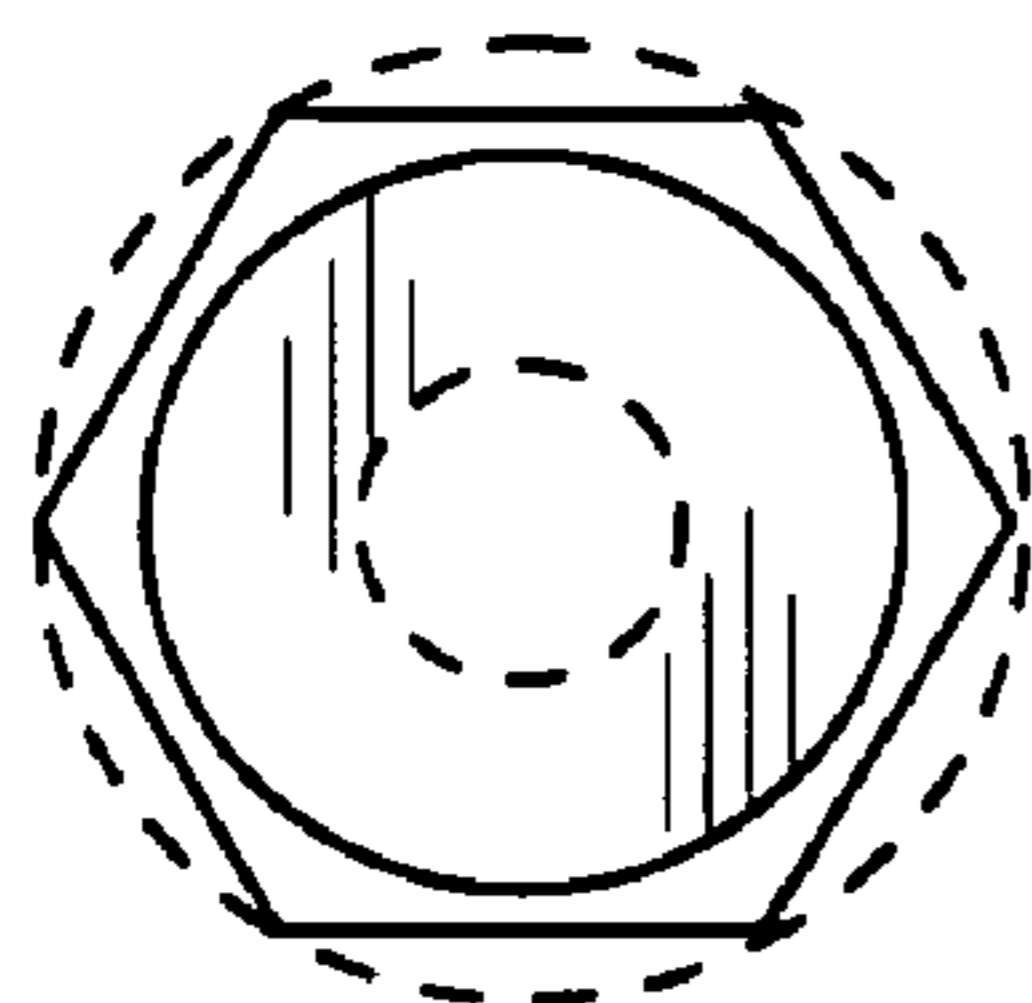
*FIG. 3*



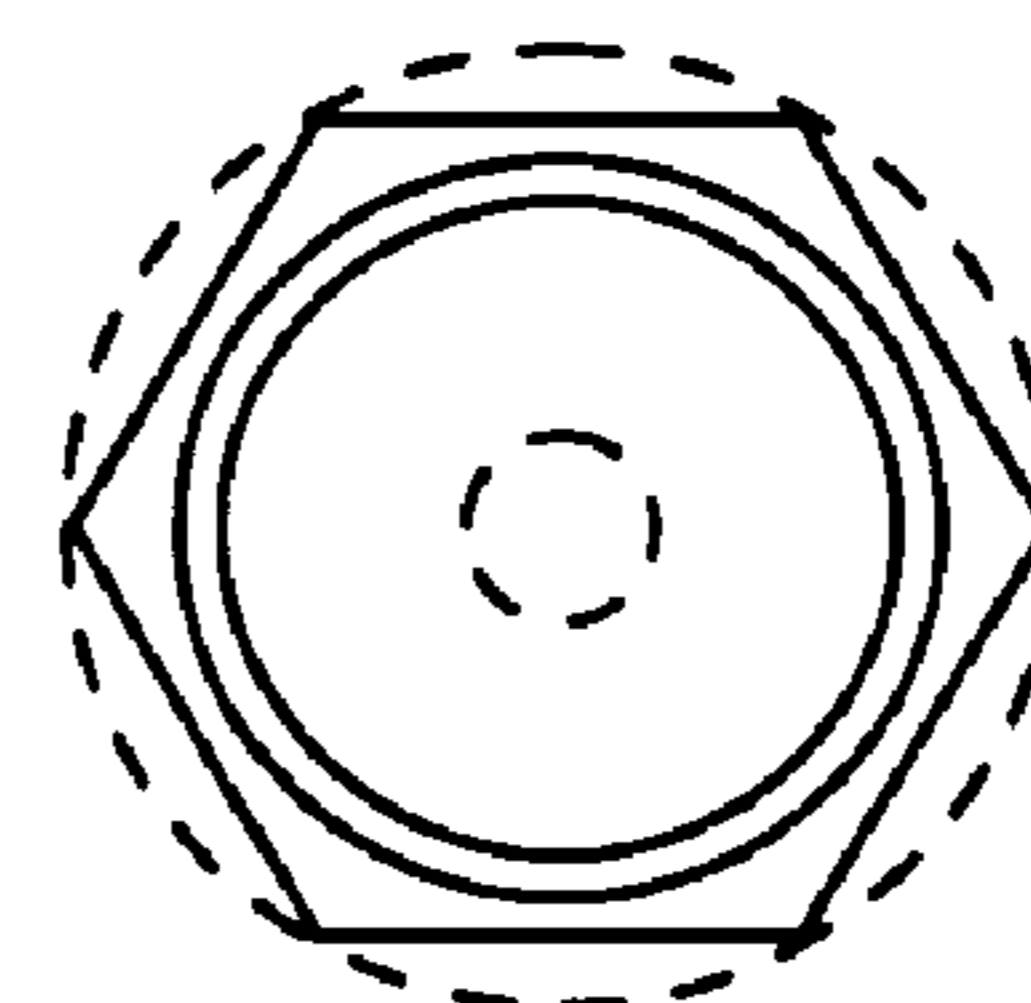
*FIG. 4*



*FIG. 5*



*FIG. 6*



*FIG. 7*