



US00D613630S

(12) **United States Design Patent**
Wilson

(10) **Patent No.:** **US D613,630 S**

(45) **Date of Patent:** **** Apr. 13, 2010**

(54) **BLOOD ALCOHOL LEVEL TESTER**

(75) Inventor: **Gregory Wilson**, Hagerstown, MD (US)

(73) Assignee: **Gregory Andrew Wilson**, Hagerstown, MD (US)

(**) Term: **14 Years**

(21) Appl. No.: **29/339,325**

(22) Filed: **Jun. 29, 2009**

(51) **LOC (9) Cl.** **10-04**

(52) **U.S. Cl.** **D10/81; D10/78**

(58) **Field of Classification Search** D10/78,
D10/81; 128/719, 745; 180/272; 340/576;
422/84, 50, 58, 61-63, 67, 68.1, 80, 82.03;
436/132, 900; 600/532, 543, 530; 206/229
See application file for complete search history.

(56) **References Cited**

U.S. PATENT DOCUMENTS

- D518,397 S * 4/2006 Sydlowski et al. D10/81
- D521,885 S * 5/2006 Eddy et al. D10/81
- D539,683 S * 4/2007 Shaw et al. D10/81
- D539,684 S * 4/2007 Kitamura et al. D10/81

- D540,208 S * 4/2007 Mobley et al. D10/81
- D586,677 S * 2/2009 Nothacker et al. D10/78
- 7,485,262 B2 * 2/2009 DiCesare et al. 422/61
- 7,491,365 B2 * 2/2009 Yang et al. 422/68.1
- 7,533,558 B2 * 5/2009 Flaherty et al. 73/23.3

* cited by examiner

Primary Examiner—Antoine D Davis

(74) *Attorney, Agent, or Firm*—Hope Baldauff Hartman, LLC

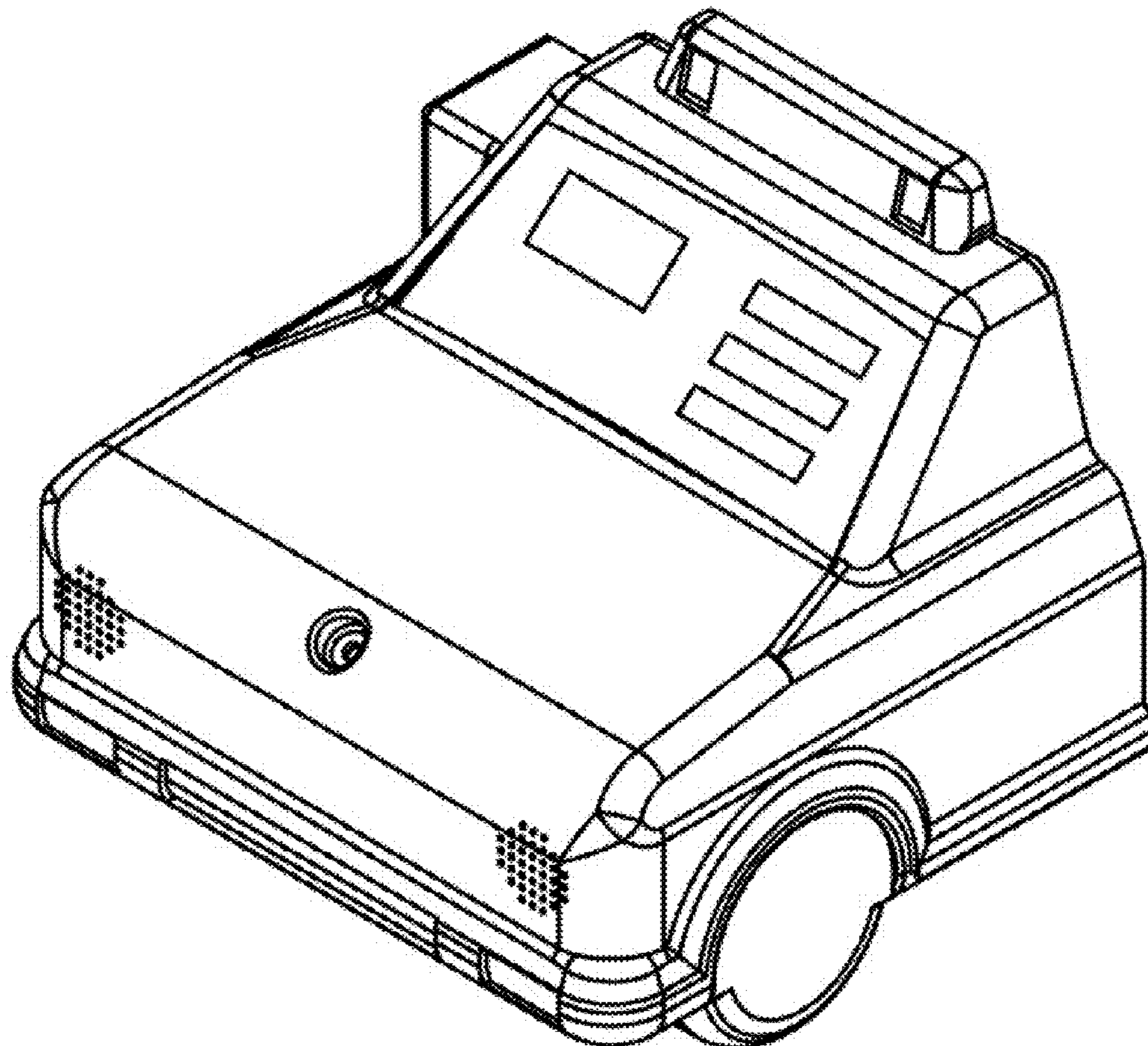
(57) **CLAIM**

The ornamental design for a blood alcohol level tester, as shown and described.

DESCRIPTION

FIG. 1 is a perspective view of a blood alcohol level tester; FIG. 2 is a top view of the blood alcohol level tester; FIG. 3 is a bottom view of the blood alcohol level tester; FIG. 4 is a left side view of the blood alcohol level tester; FIG. 5 is a right side view of the blood alcohol level tester; FIG. 6 is a front view of the blood alcohol level tester; and, FIG. 7 is a back view of the blood alcohol level tester.

1 Claim, 7 Drawing Sheets



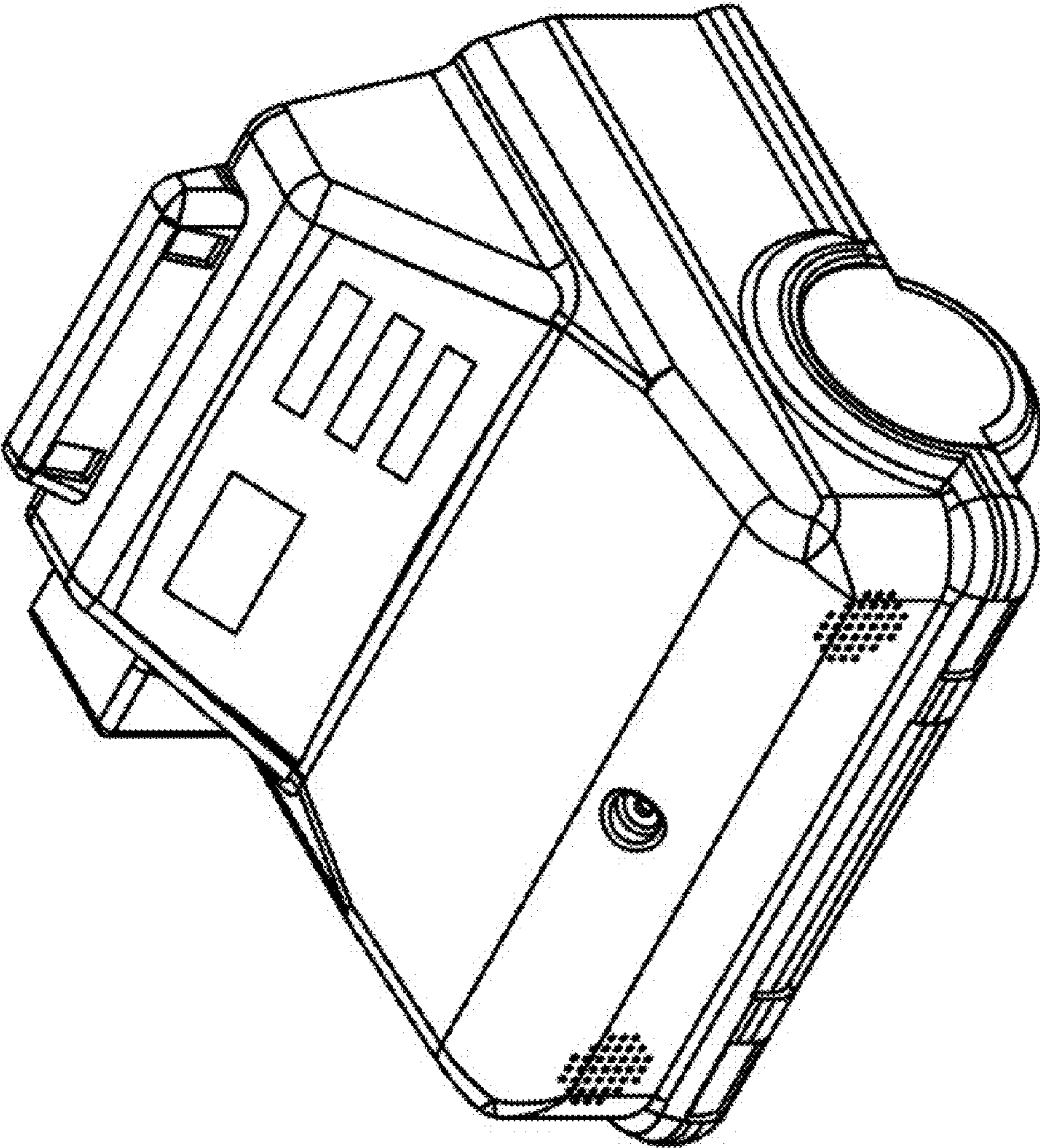


Fig.1

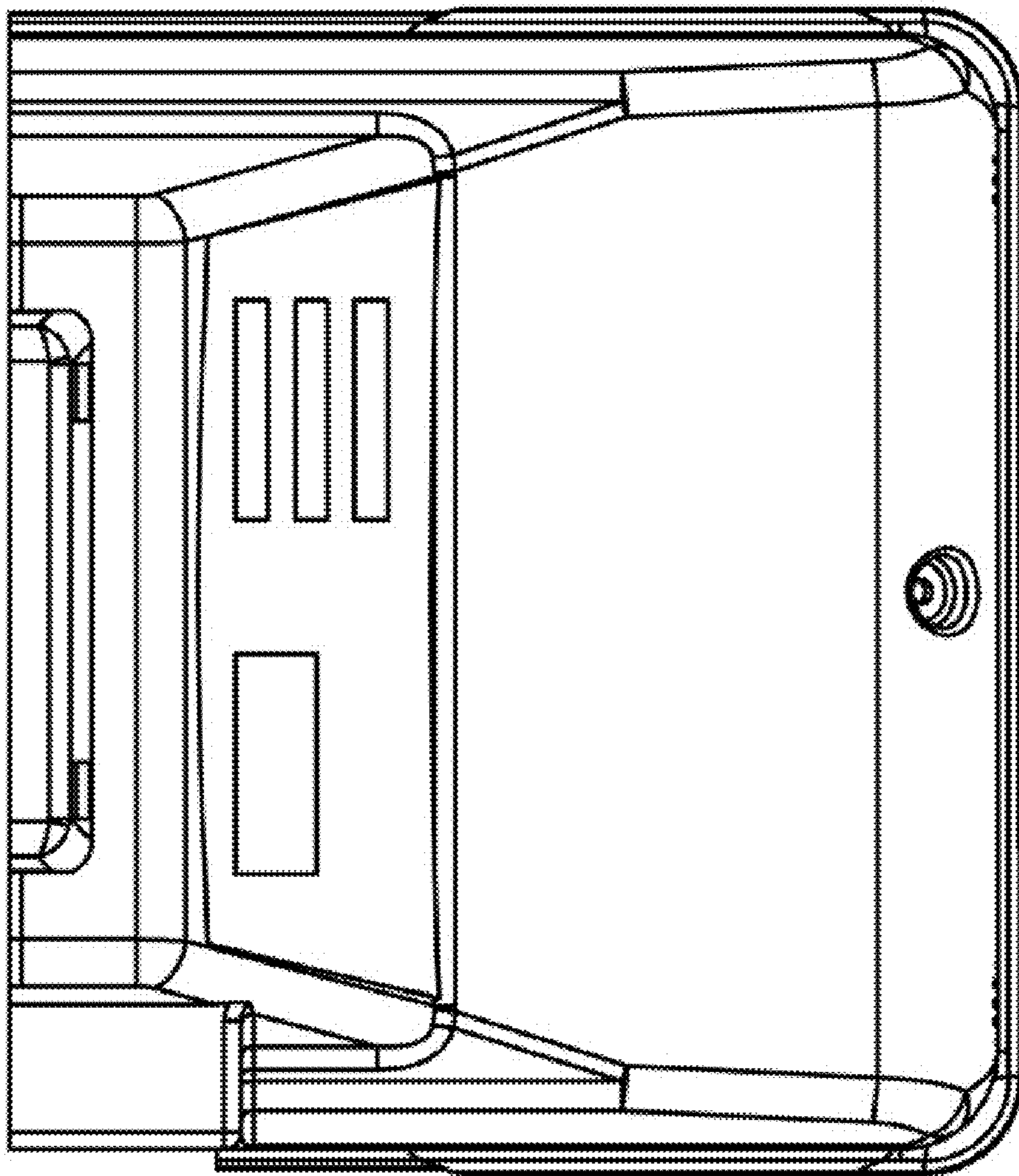


Fig. 2

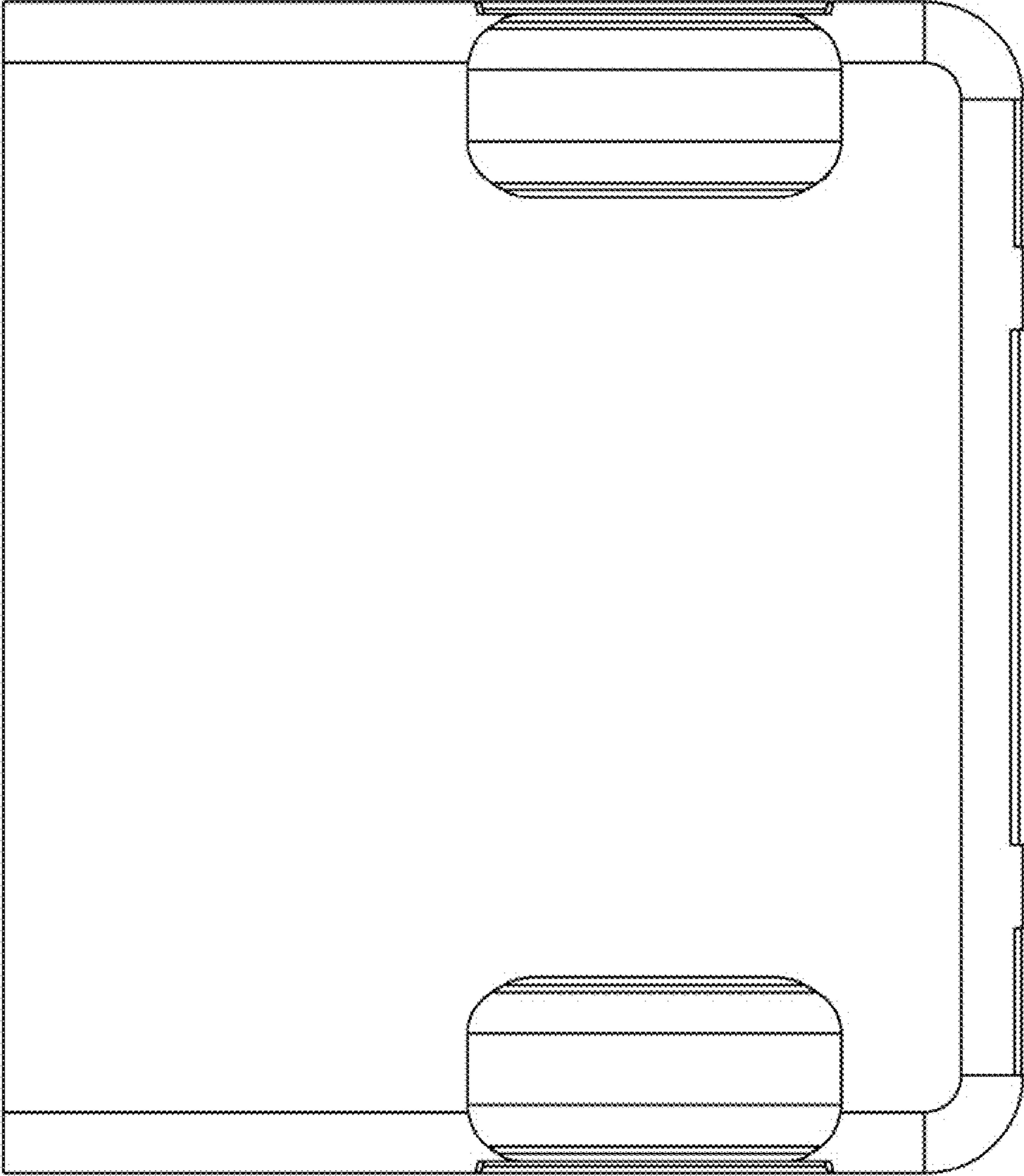


Fig.3

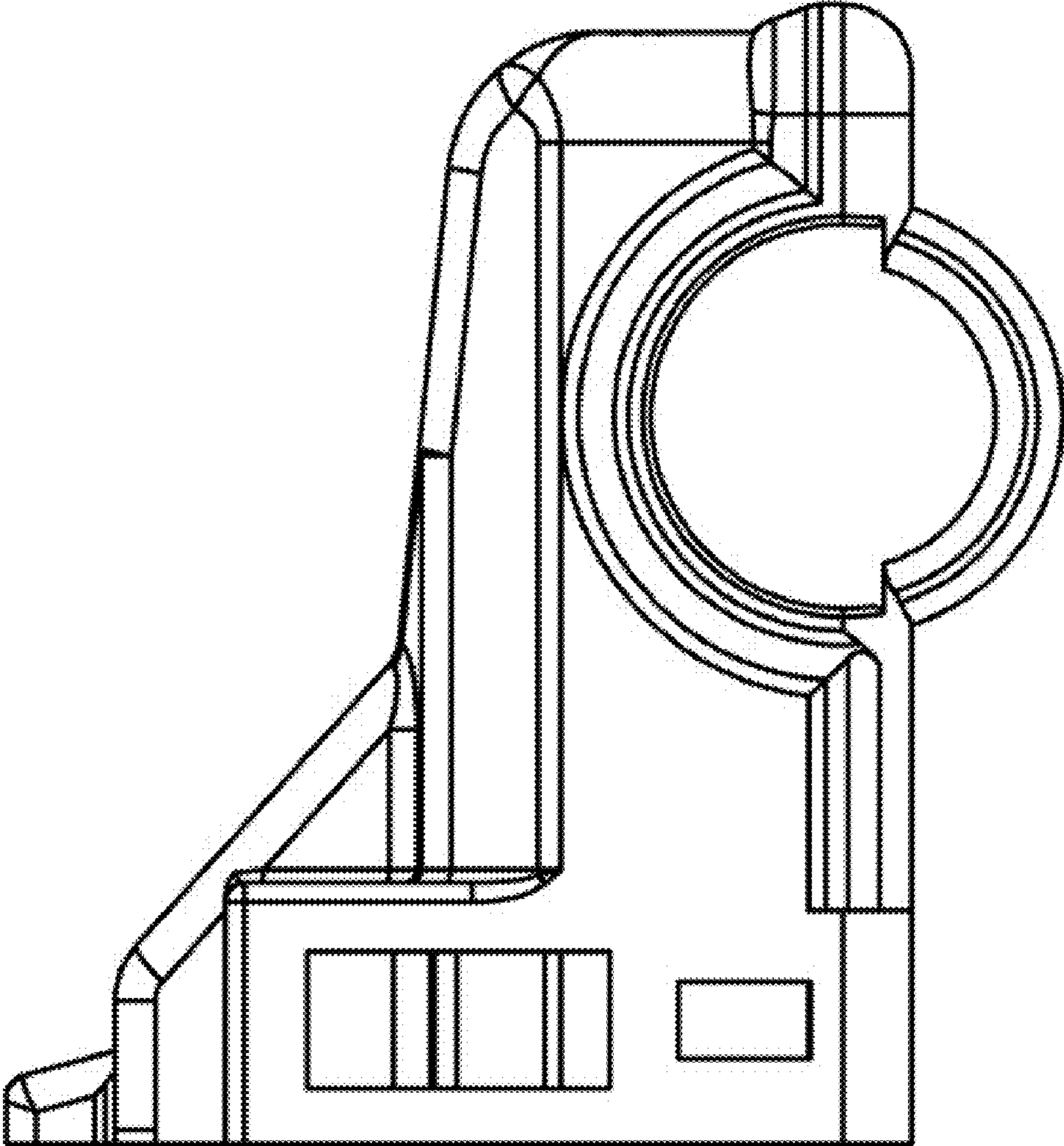


Fig.4

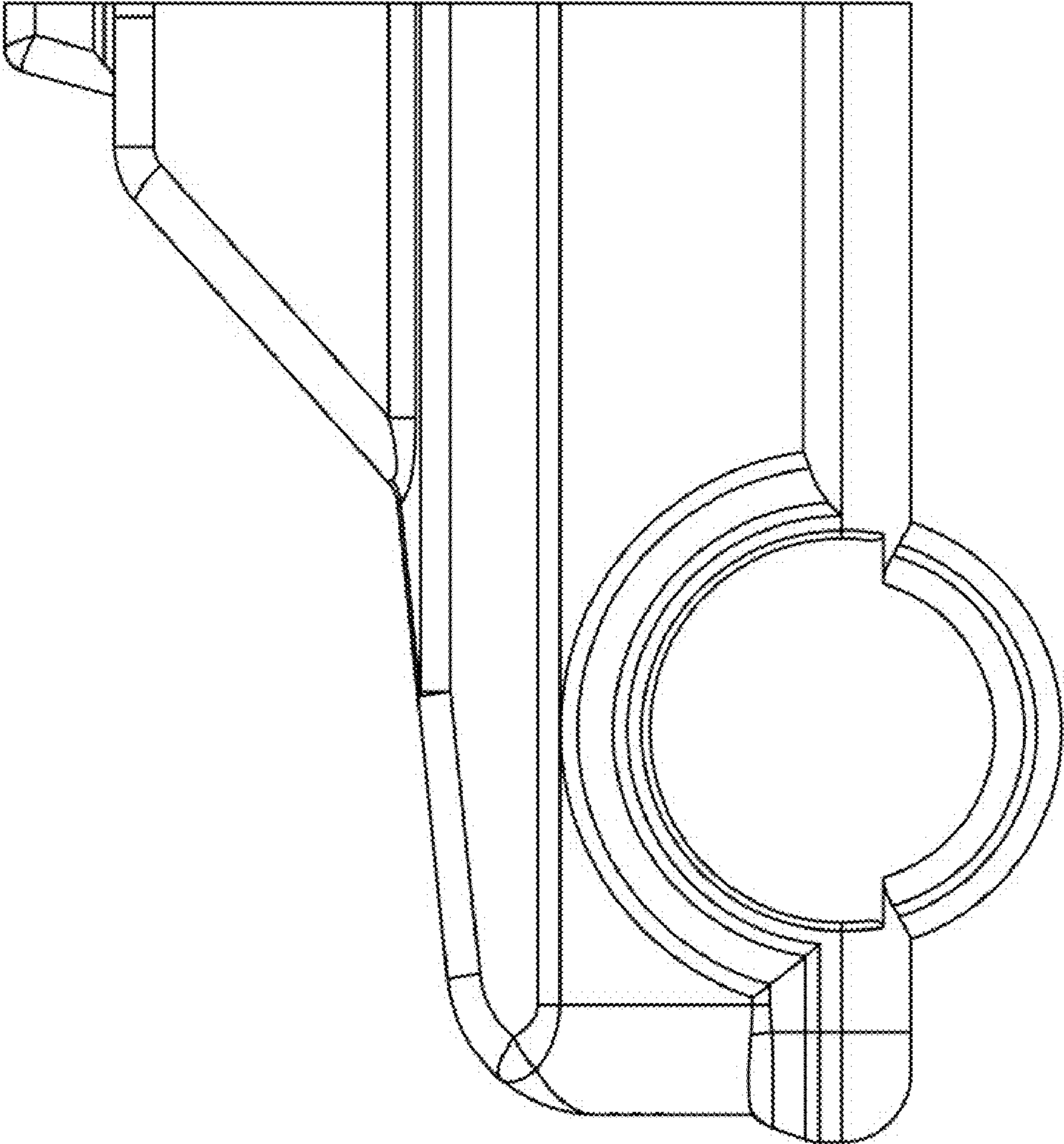


Fig.5

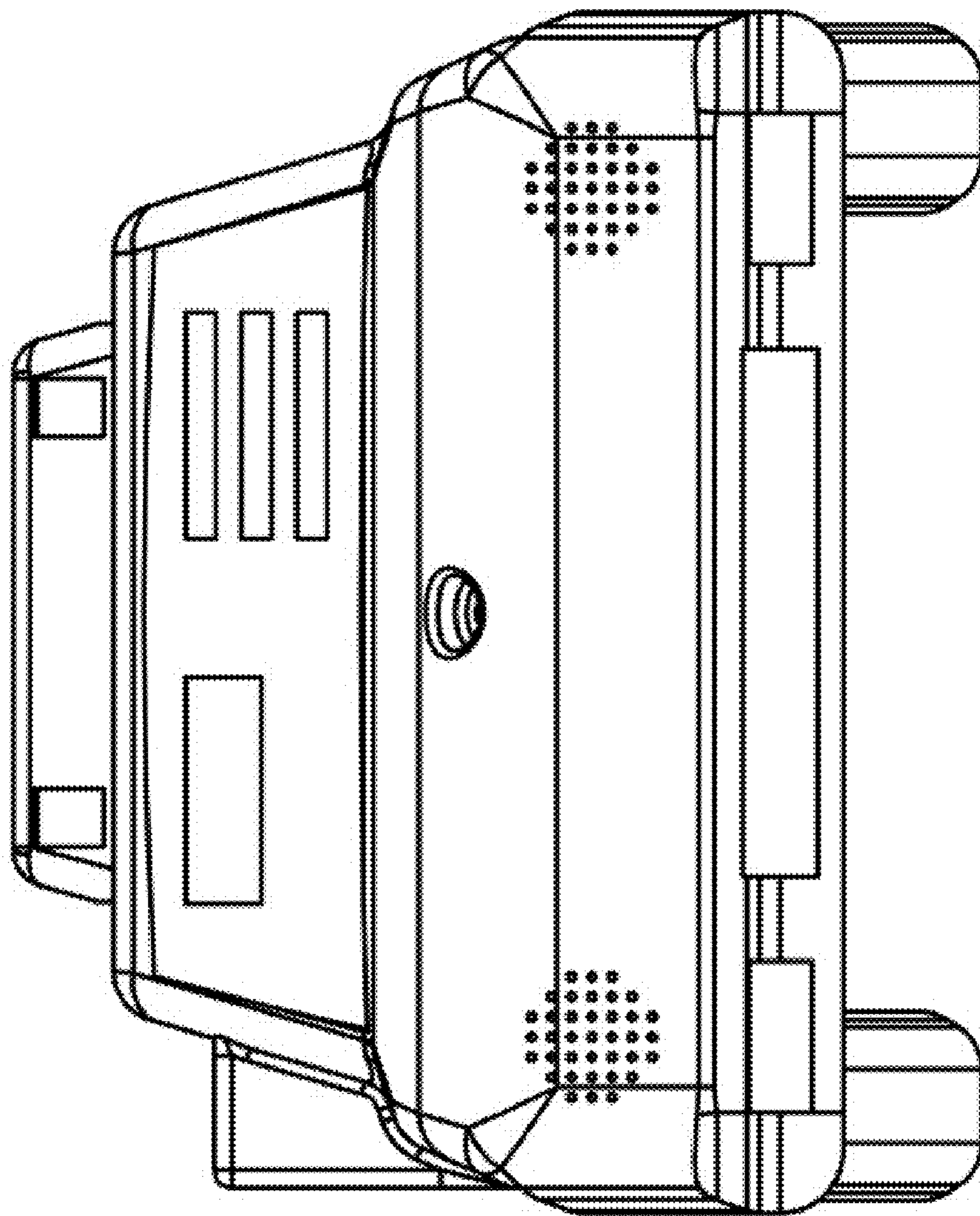


Fig. 6

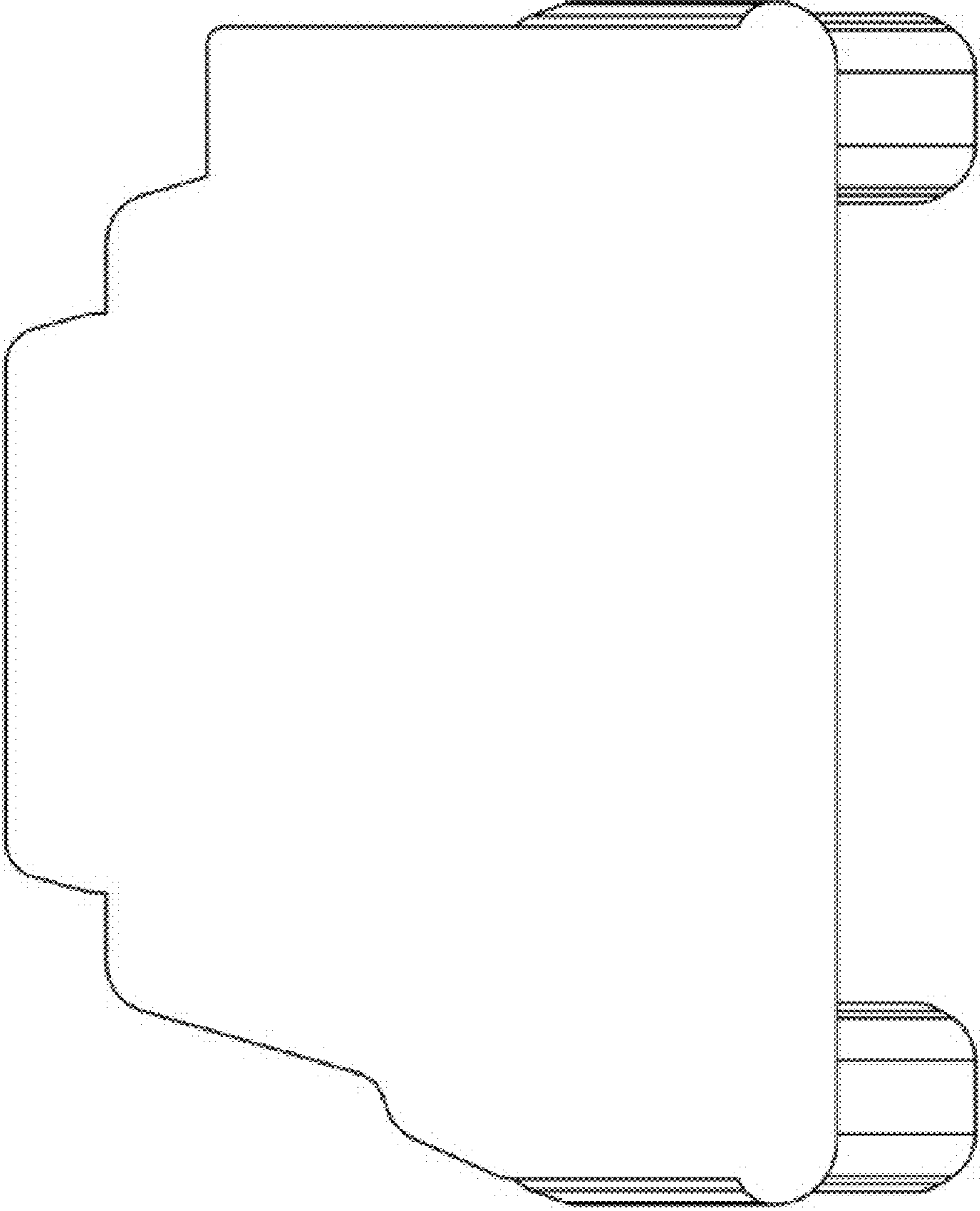


Fig. 7