



US00D613628S

(12) **United States Design Patent**  
**Murphy**

(10) **Patent No.:** **US D613,628 S**

(45) **Date of Patent:** **\*\* Apr. 13, 2010**

(54) **WEATHER SENSOR**

D411,958 S \* 7/1999 Hui ..... D10/58

(75) Inventor: **Matthew Murphy**, Elkhorn, WI (US)

\* cited by examiner

(73) Assignee: **Combex, Inc.**, Lake Geneva, WI (US)

*Primary Examiner*—Antoine D Davis

(74) *Attorney, Agent, or Firm*—Drinker Biddle & Reath LLP

(\*\*) Term: **14 Years**

(57) **CLAIM**

(21) Appl. No.: **29/338,189**

The ornamental design for a weather sensor, as shown and described.

(22) Filed: **Jun. 5, 2009**

**DESCRIPTION**

(51) **LOC (9) Cl.** ..... **10-04**

FIG. 1 is a front perspective view of a weather sensor showing my new design;

(52) **U.S. Cl.** ..... **D10/59**

FIG. 2 is a front elevation view thereof;

(58) **Field of Classification Search** ..... D10/59;  
73/170.07, 170.08, 170.12, 170.16, 204.26,  
73/861.76, 861.85

FIG. 3 is a rear elevation view thereof;

FIG. 4 is a left side elevation view thereof;

See application file for complete search history.

FIG. 5 is a right side elevation view thereof;

FIG. 6 is a top plan view thereof; and,

(56) **References Cited**

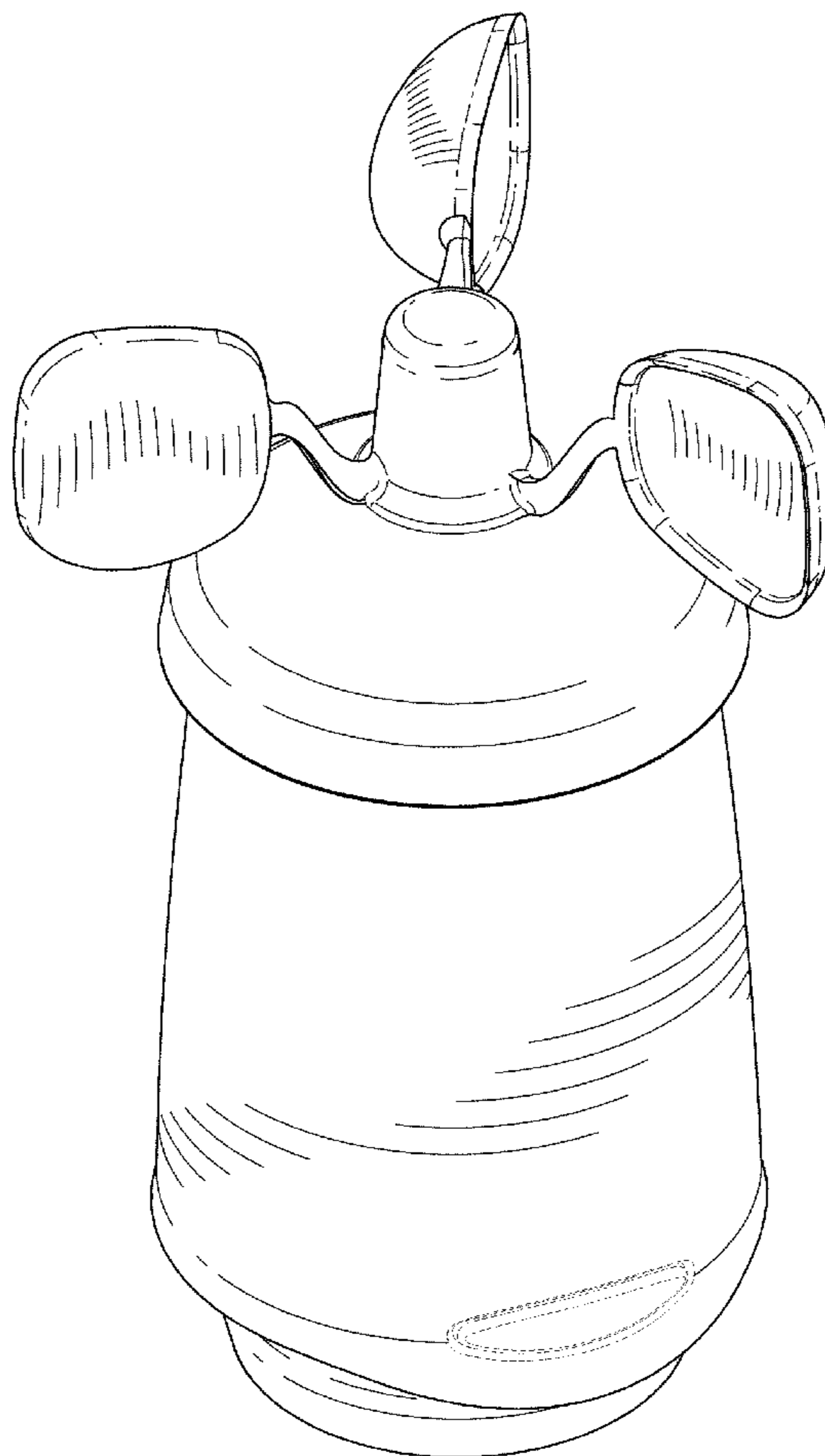
FIG. 7 is a bottom plan view thereof, wherein the broken lines in the Figures are for illustrative purposes only and form no part of the claimed design.

**U.S. PATENT DOCUMENTS**

D345,110 S \* 3/1994 Lannie ..... D10/59

D366,841 S \* 2/1996 Blittersdorf et al. .... D10/59

**1 Claim, 6 Drawing Sheets**



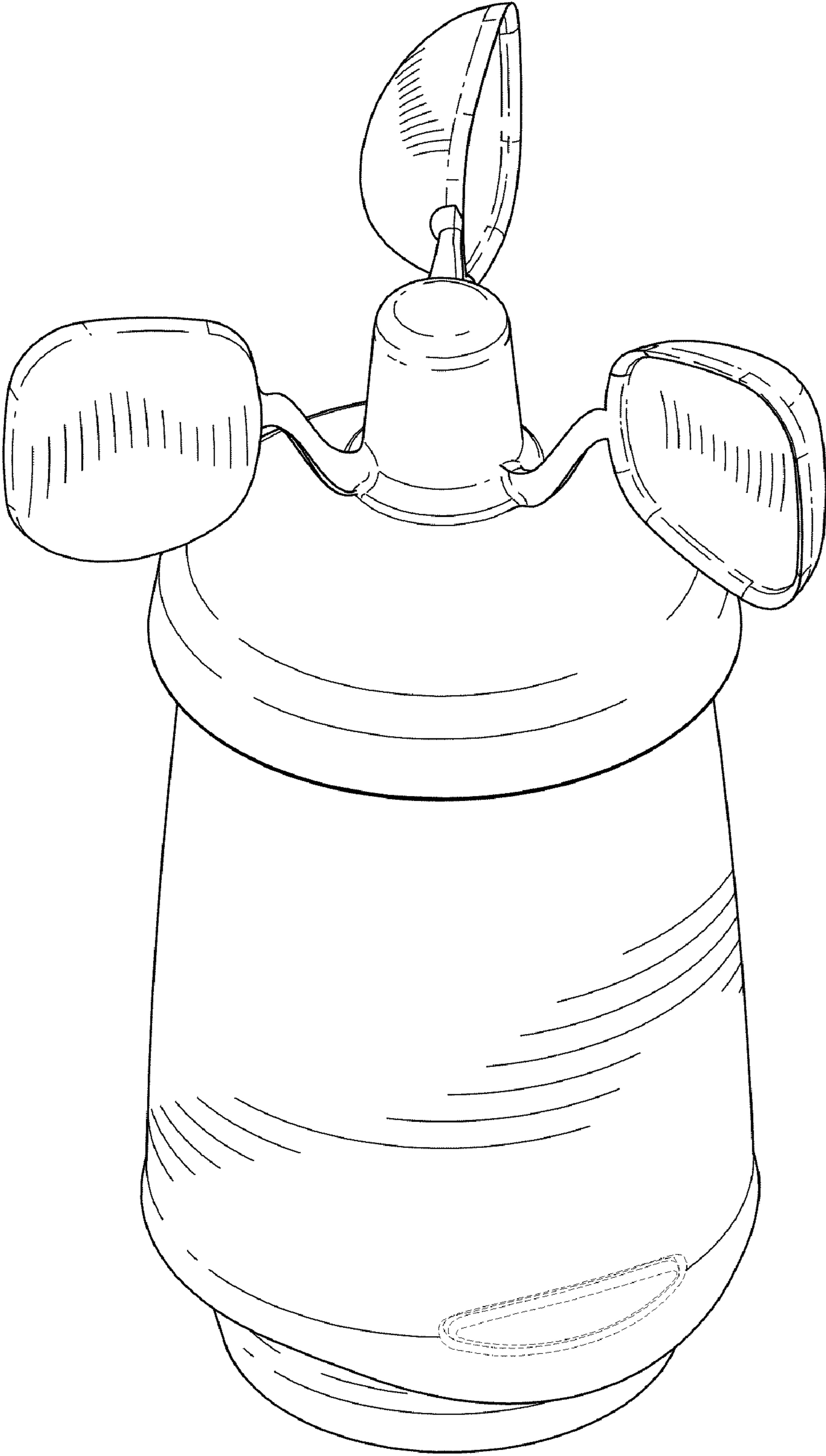
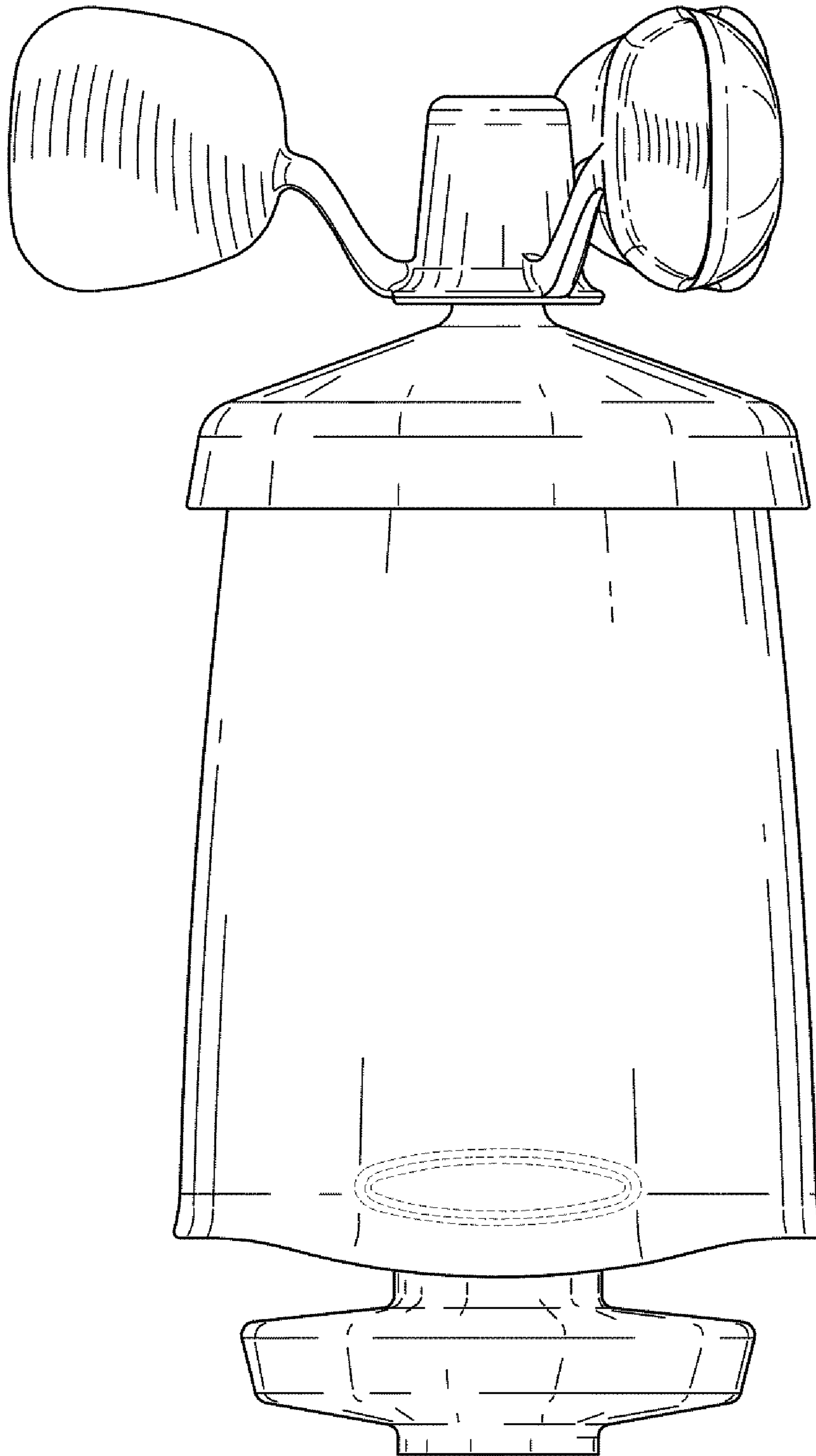


FIG. 1



**FIG. 2**

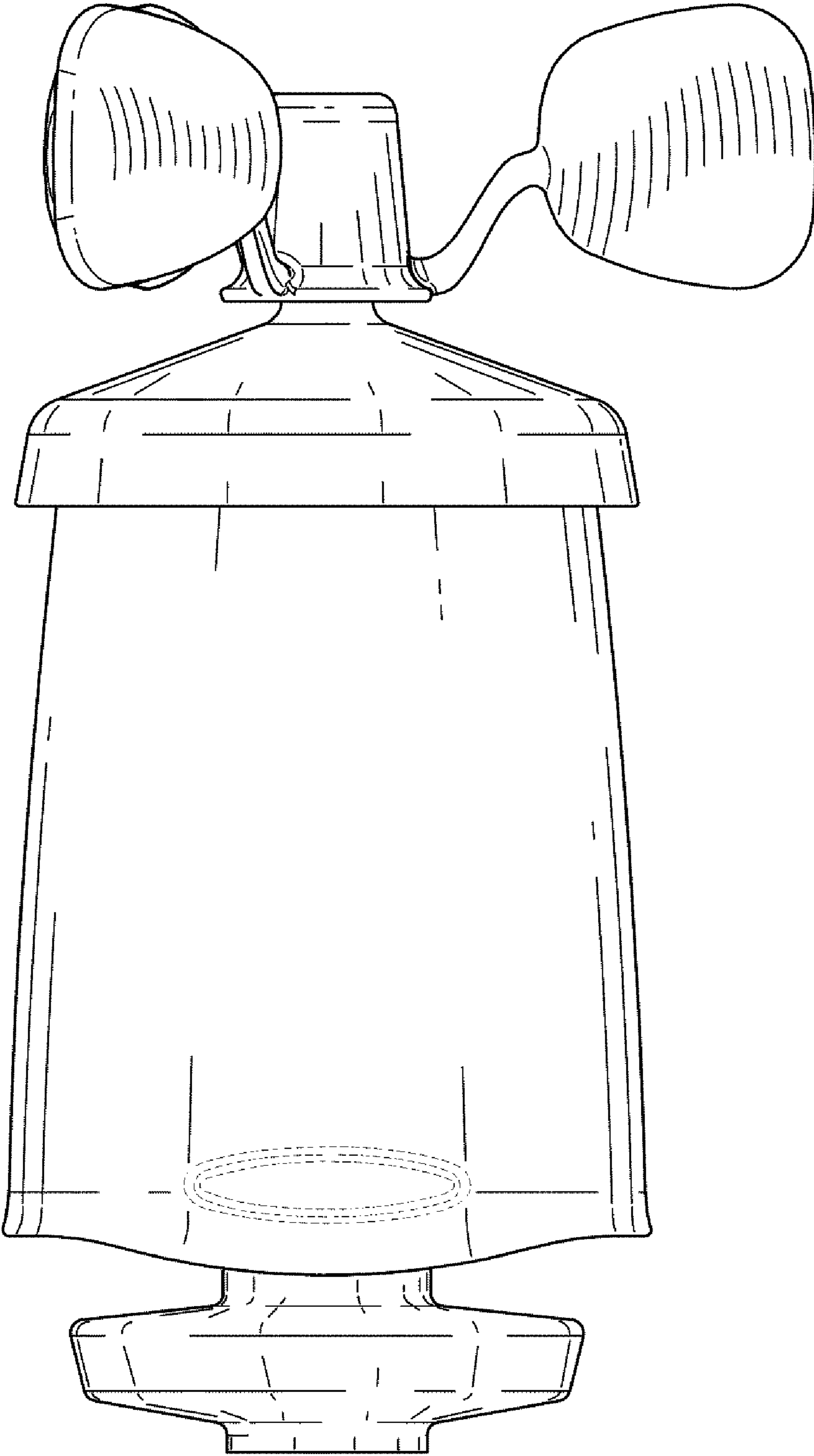


FIG. 3

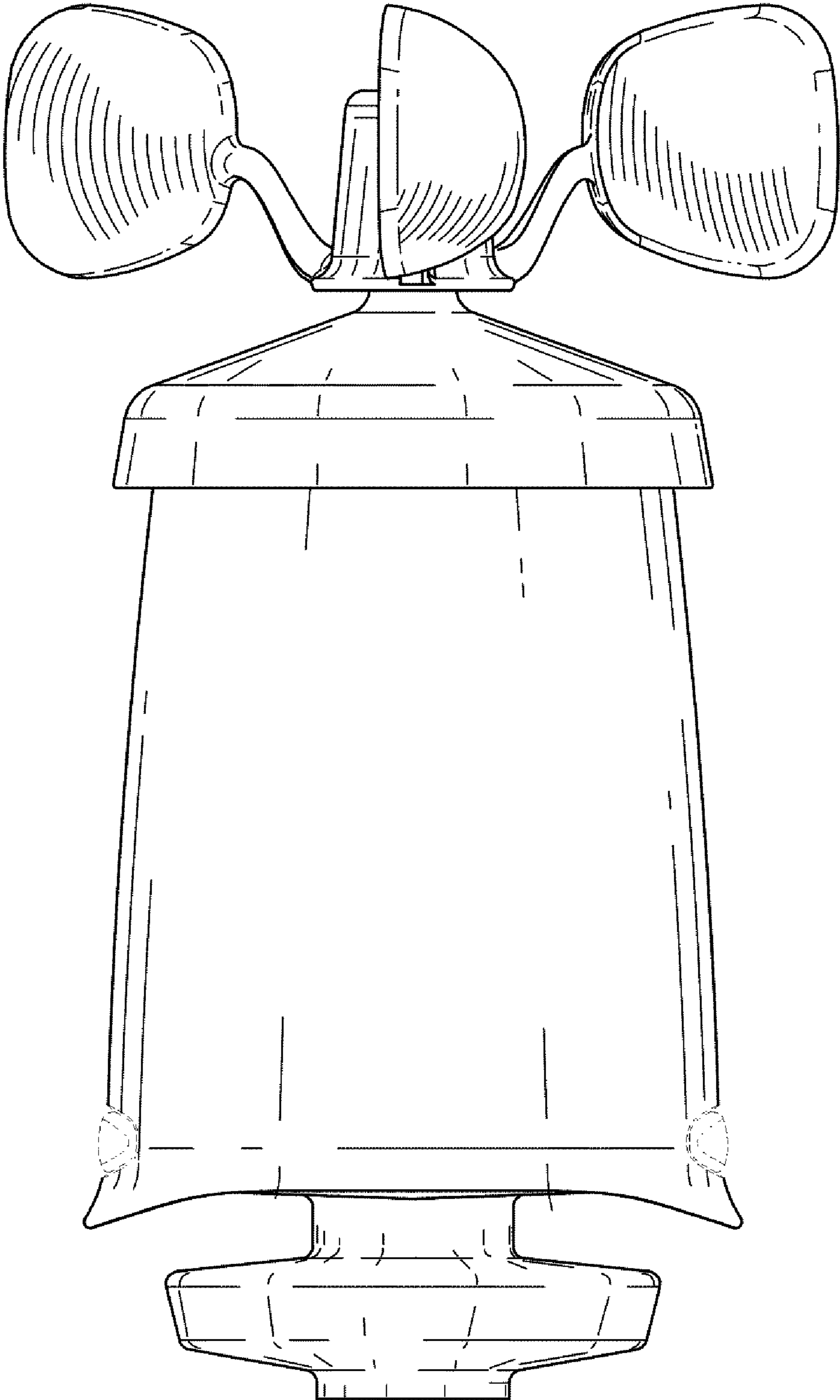
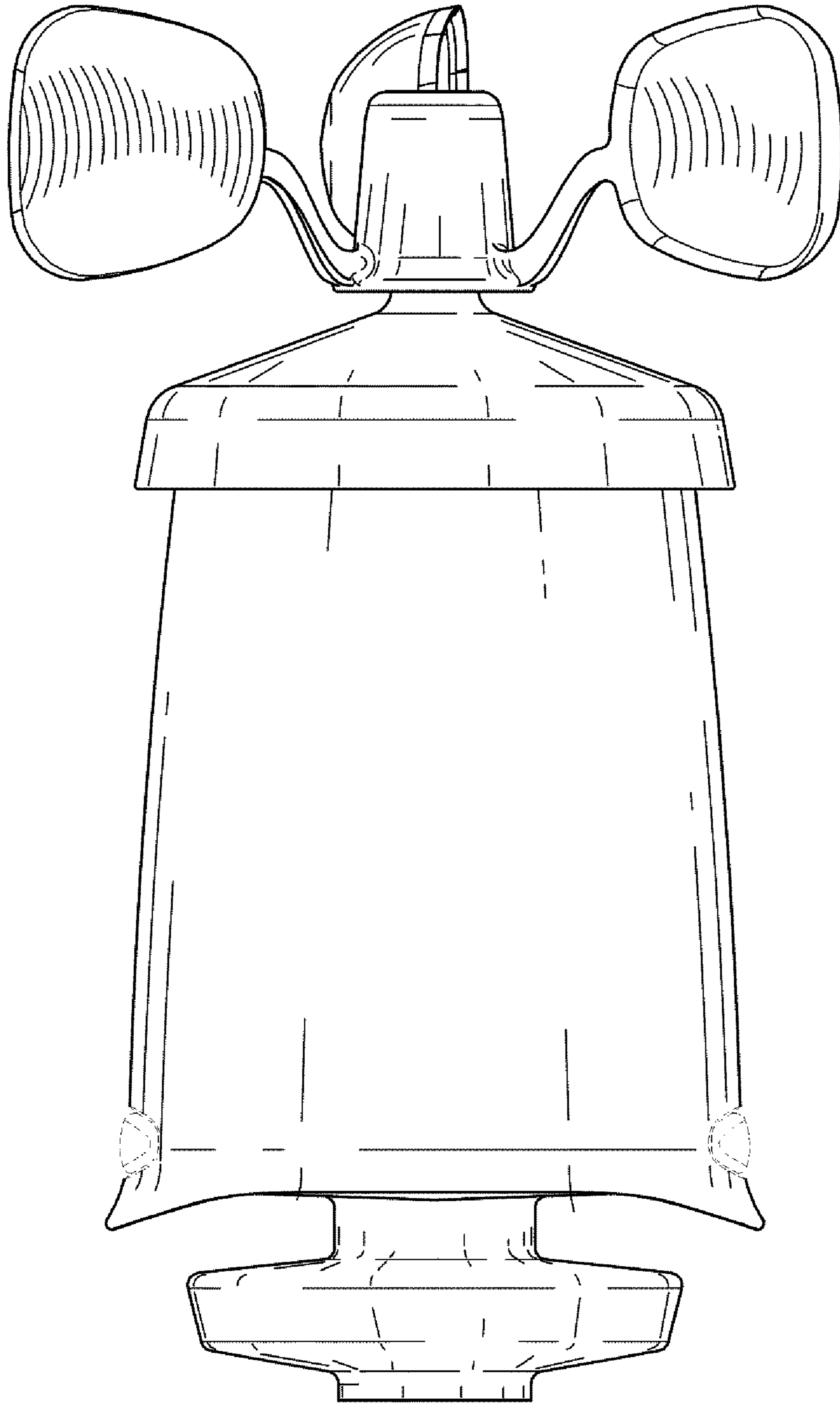


FIG. 4



**FIG. 5**

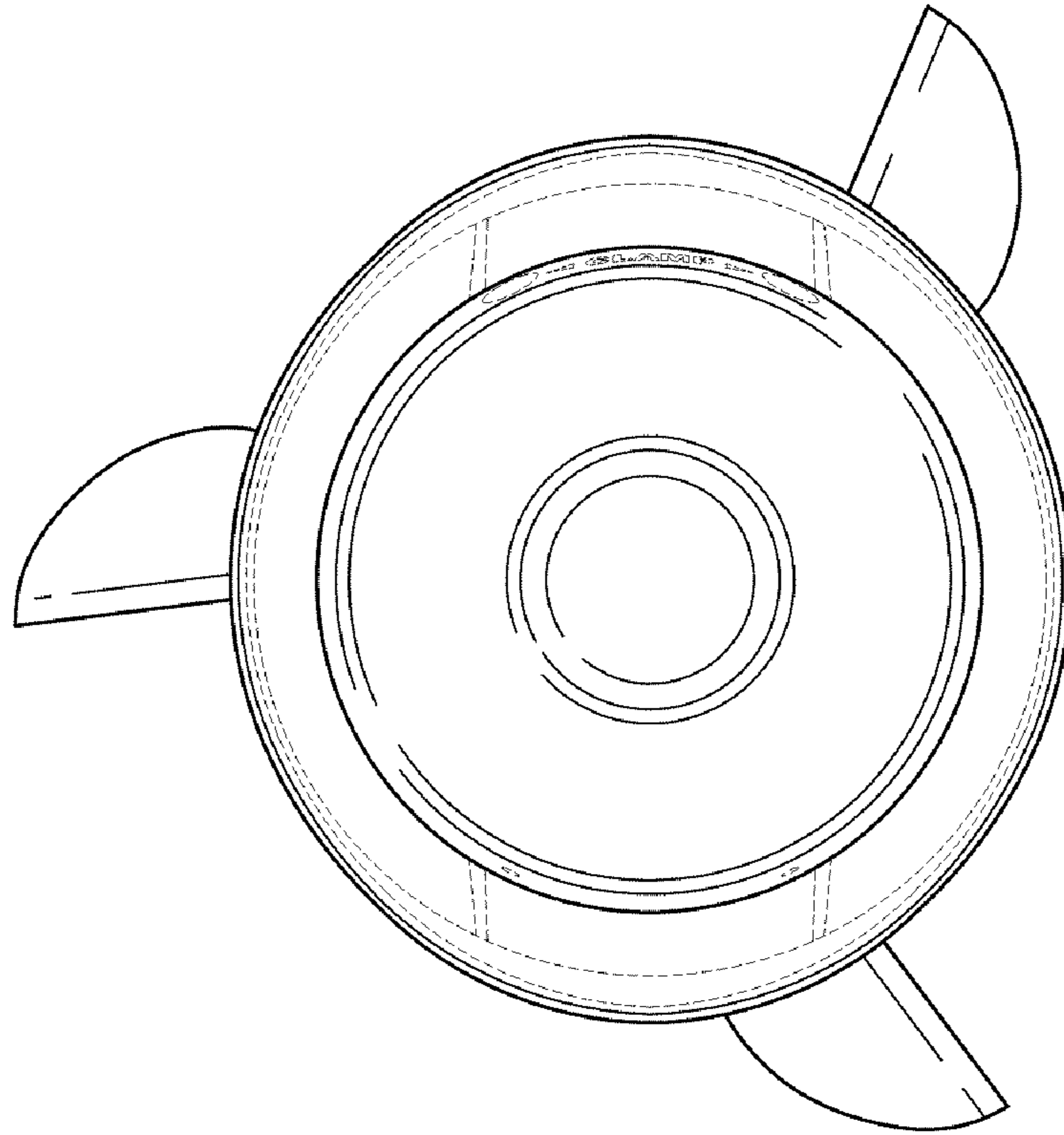


FIG. 7

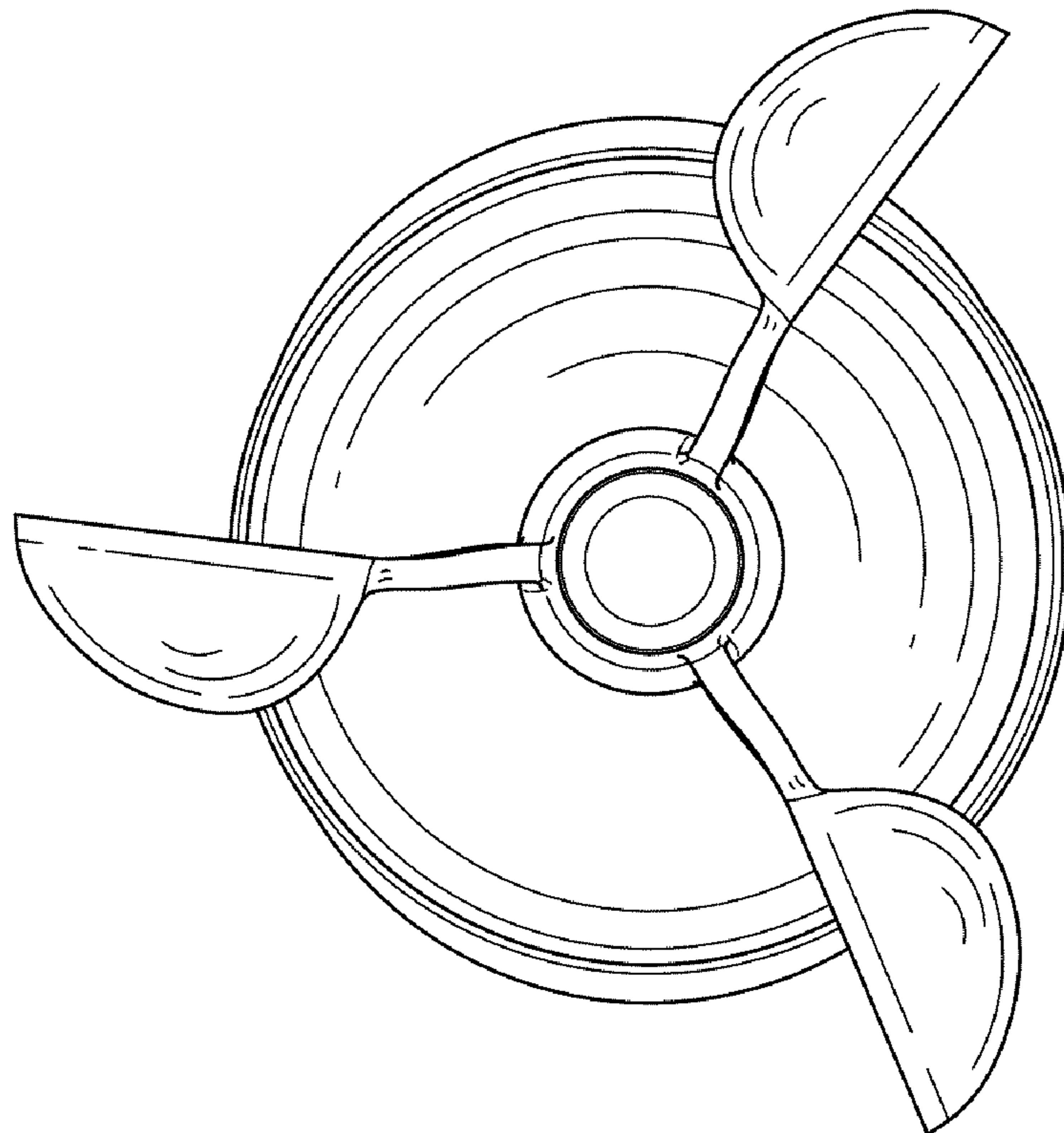


FIG. 6

UNITED STATES PATENT AND TRADEMARK OFFICE  
**CERTIFICATE OF CORRECTION**

PATENT NO. : Des. 613,628 S  
APPLICATION NO. : 29/338189  
DATED : April 13, 2010  
INVENTOR(S) : Matthew Murphy

Page 1 of 1

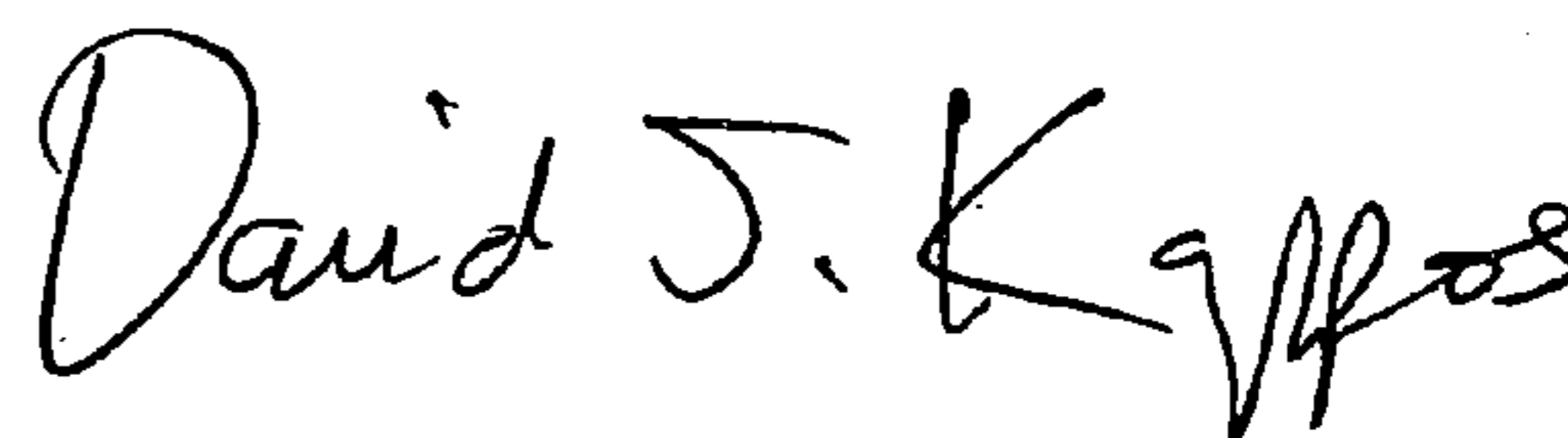
It is certified that error appears in the above-identified patent and that said Letters Patent is hereby corrected as shown below:

**ON THE TITLE PAGE:**

In (73) Assignee:, change “**Combex, Inc.**” to --**Combex, Inc. (dba Chaney Instrument Company)**--.

Signed and Sealed this

Twenty-fifth Day of May, 2010



David J. Kappos  
*Director of the United States Patent and Trademark Office*