



US00D613626S

(12) **United States Design Patent**  
**Wang**

(10) **Patent No.:** **US D613,626 S**  
(45) **Date of Patent:** **\*\* Apr. 13, 2010**

(54) **CONTROL KNOB FOR DIGITAL SHOWER SYSTEM**

D253,044 S \* 10/1979 Hewson ..... D10/50  
D377,909 S \* 2/1997 Smith ..... D10/50

(75) Inventor: **Tien-I Wang**, Taichung (TW)

(73) Assignee: **Globe Union Industrial Corp.**,  
Taichung (TW)

\* cited by examiner

*Primary Examiner*—Antoine D Davis  
(74) *Attorney, Agent, or Firm*—Leong C. Lei

(\*\*) Term: **14 Years**

(21) Appl. No.: **29/341,739**

(57) **CLAIM**

(22) Filed: **Aug. 12, 2009**

The ornamental design for a control knob for digital shower system, as shown and described.

(51) **LOC (9) Cl.** ..... **10-04**

(52) **U.S. Cl.** ..... **D10/50**

(58) **Field of Classification Search** ..... D10/49-50;  
236/5, 46 R-46 F, 47, 49.3, 51, 84, 94, 12.2,  
236/62 R; 340/7.21-7.24, 7.32, 825.6, 825.72,  
340/539.1, 539.11, 539.14, 539.21, 539.26,  
340/426.21, 584, 589, 870.17; 374/167;  
400/485; 455/420, 226.1; 4/677, 541.2,  
4/490; 700/32

**DESCRIPTION**

See application file for complete search history.

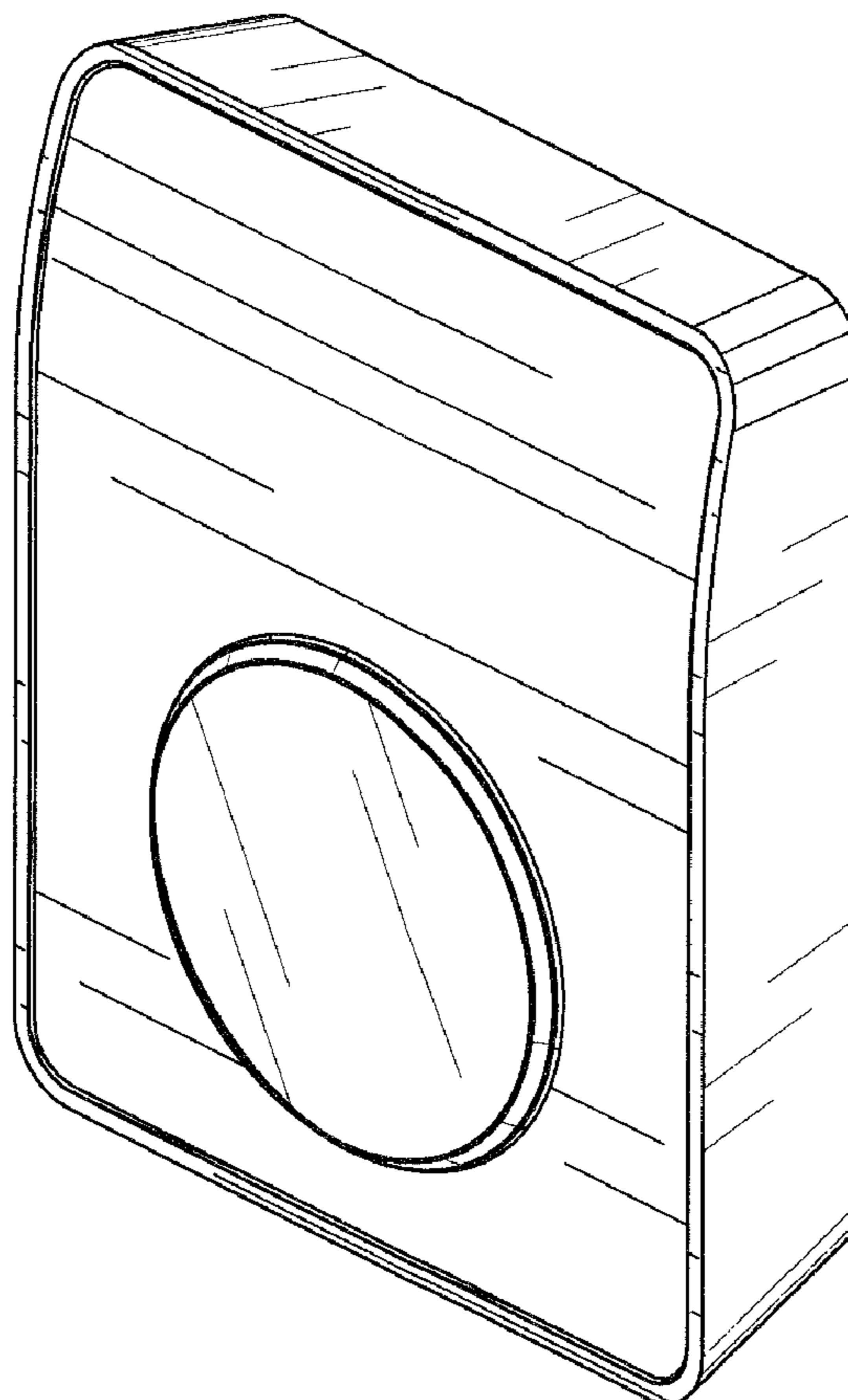
FIG. 1 is a perspective view of a control knob for digital shower system showing my new design;  
FIG. 2 is a front elevational view thereof;  
FIG. 3 is a left side elevational view thereof;  
FIG. 4 is a right side elevational view thereof;  
FIG. 5 is a top plan view thereof; and,  
FIG. 6 is a bottom plan view thereof.

(56) **References Cited**

**U.S. PATENT DOCUMENTS**

D238,583 S \* 1/1976 Russell ..... D10/49

**1 Claim, 6 Drawing Sheets**



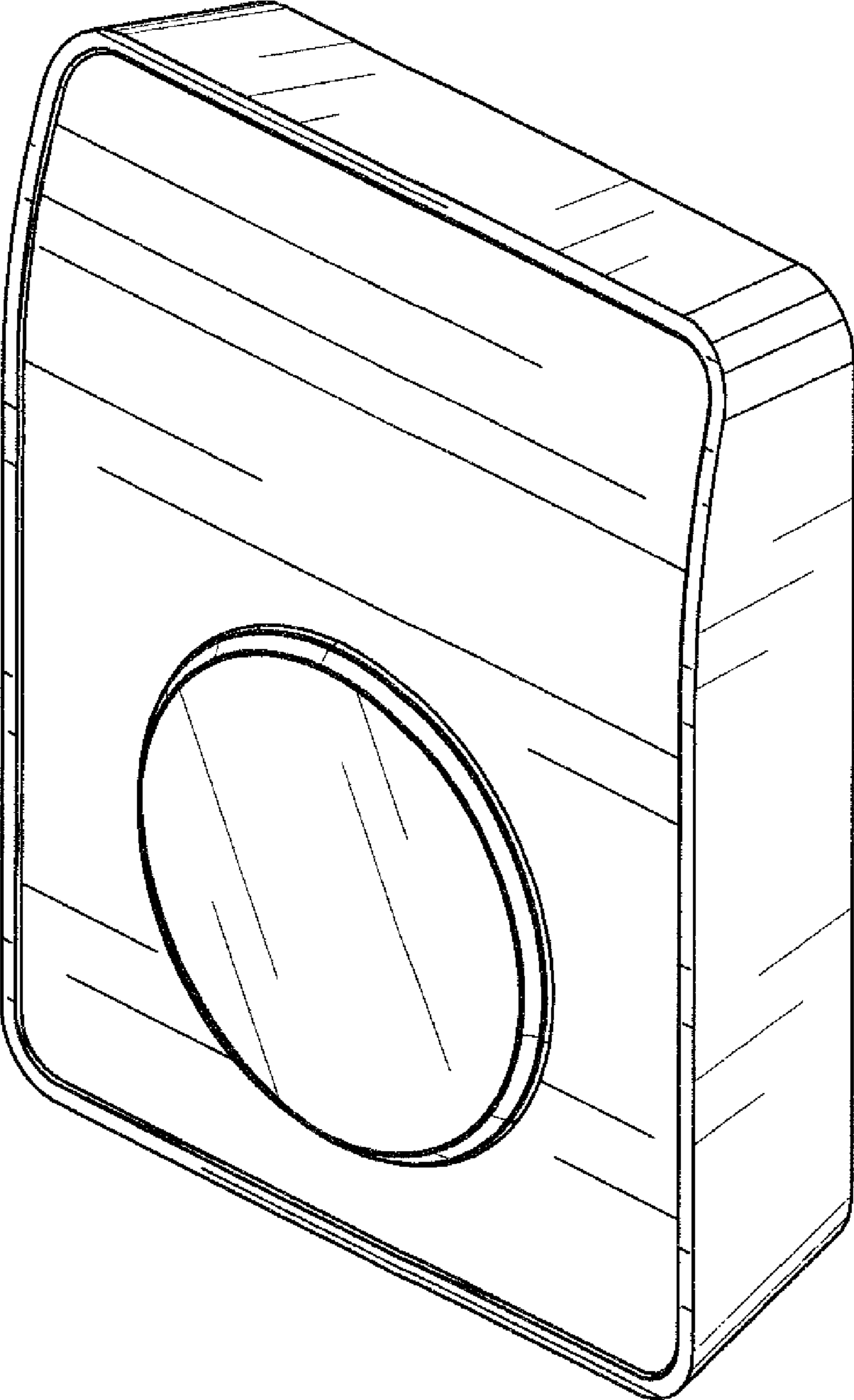


FIG. 1

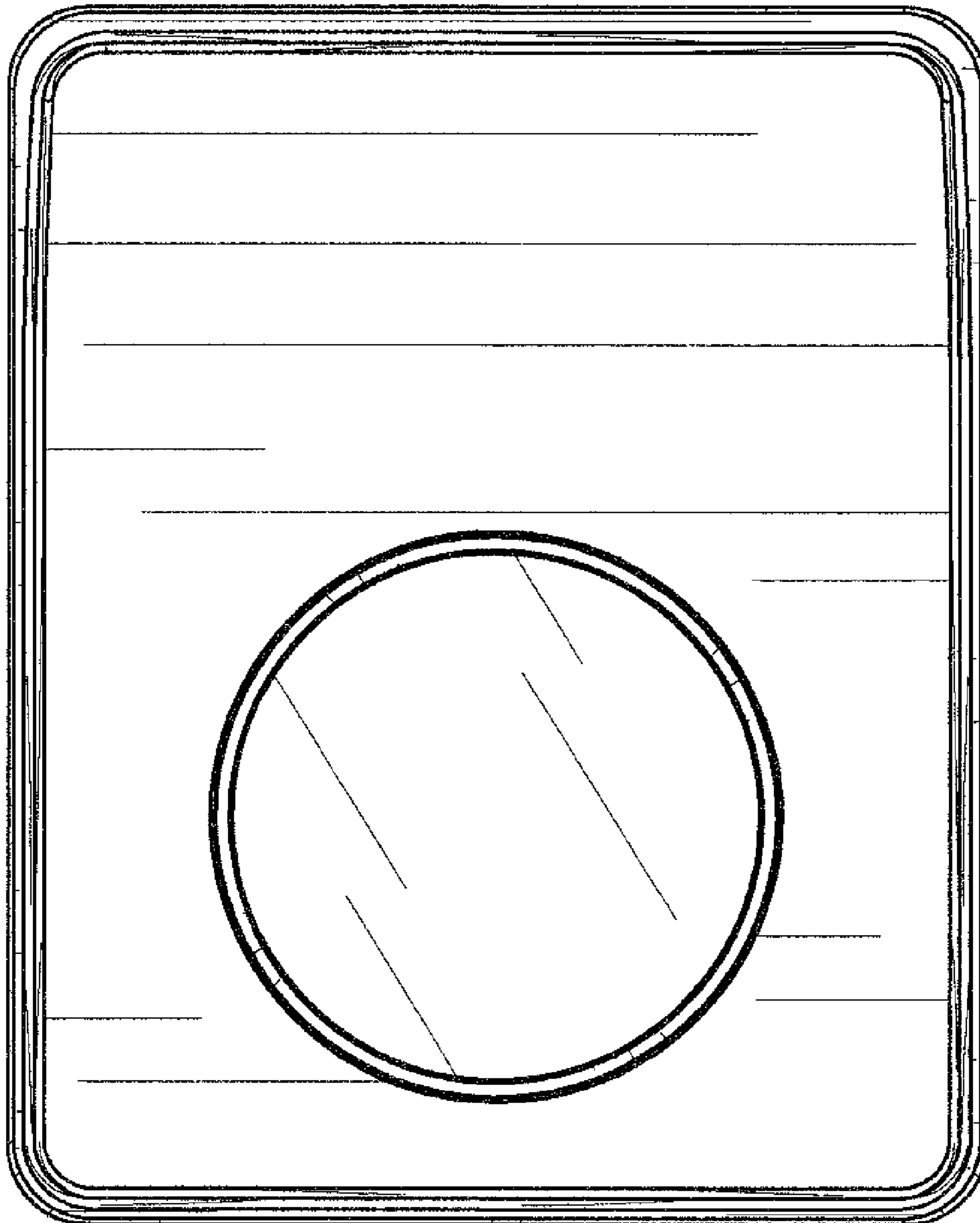


FIG. 2

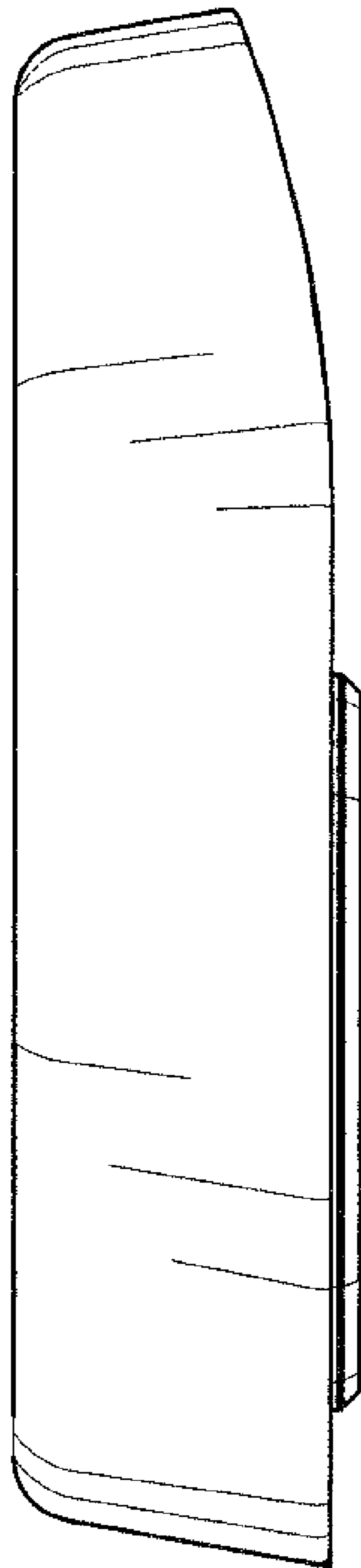


FIG. 3

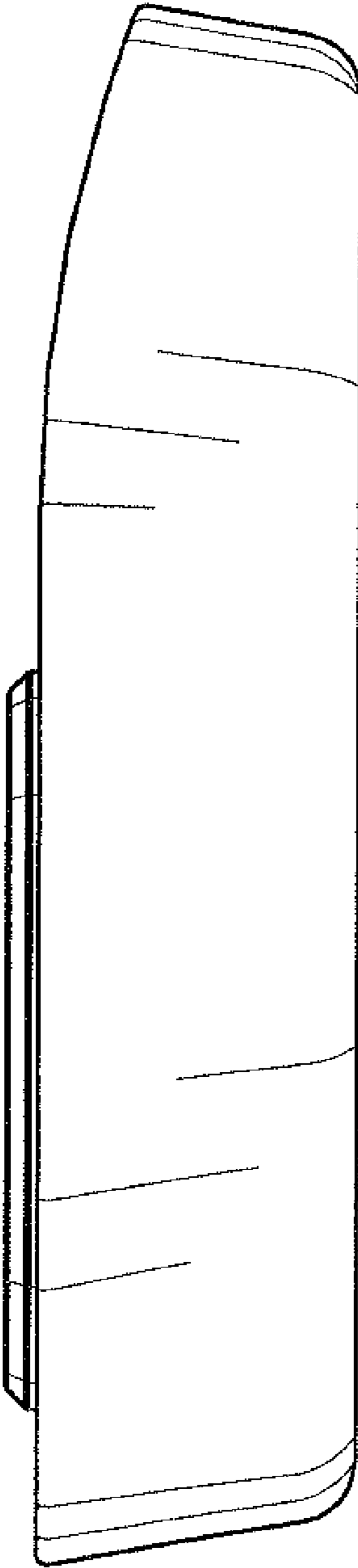


FIG. 4

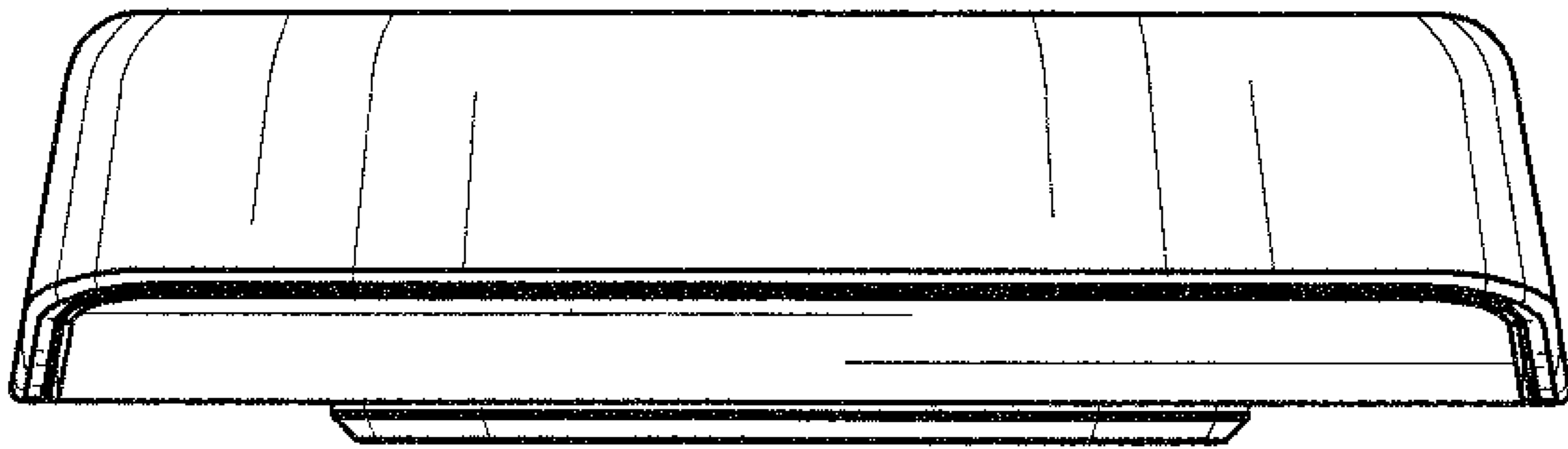


FIG. 5

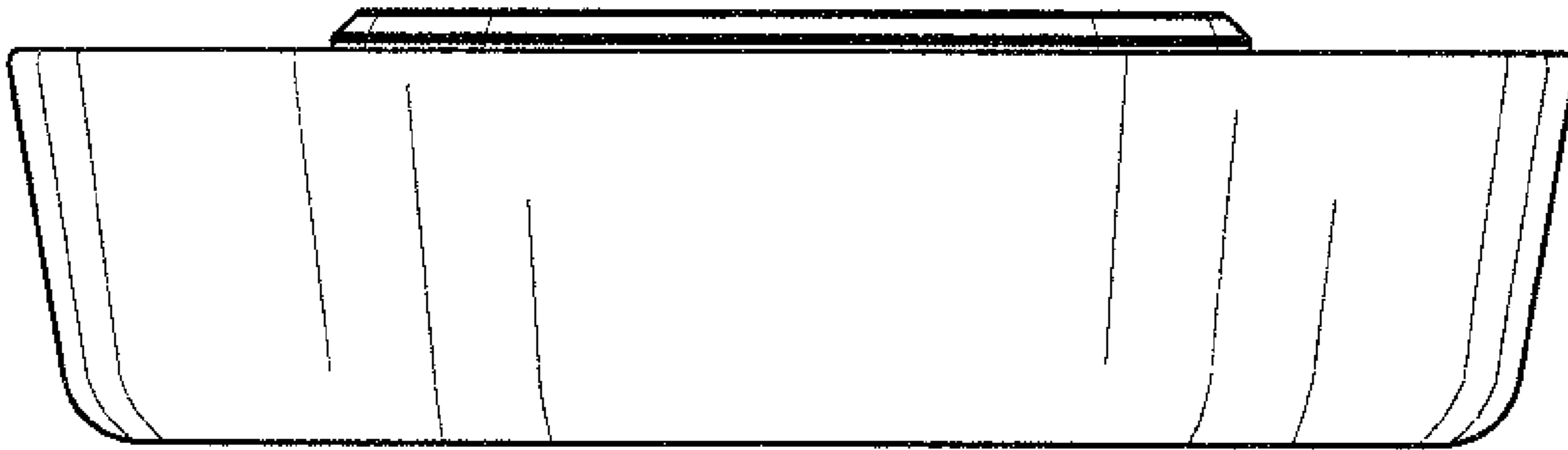


FIG. 6