



US00D613625S

(12) **United States Design Patent**
Schneor

(10) **Patent No.:** **US D613,625 S**
(45) **Date of Patent:** **** Apr. 13, 2010**

(54) **CONTROLLER**

(75) Inventor: **Avi Schneor**, Kfar Saba (IL)

(73) Assignee: **Unitronics (1989) (R“G) Ltd**, Airport City (IL)

(**) Term: **14 Years**

(21) Appl. No.: **29/290,994**

(22) Filed: **Feb. 6, 2008**

(30) **Foreign Application Priority Data**

Aug. 7, 2007 (IL) 44611

(51) **LOC (9) Cl.** **10-04**

(52) **U.S. Cl.** **D10/49; D10/60; D10/74; D10/80**

(58) **Field of Classification Search** D10/49–50, D10/60, 74, 75, 80; D13/156, 177; 116/220–221, 116/206; 374/109, 142, 147, 148, 163, 170, 374/208; 361/690, 699; 165/104.33
See application file for complete search history.

(56) **References Cited**

U.S. PATENT DOCUMENTS

D379,453 S	5/1997	Fabrizi	
D490,727 S *	6/2004	Kido et al.	D10/60
7,002,799 B2 *	2/2006	Malone et al.	361/699
D518,744 S	4/2006	Rosen	
7,042,724 B2	5/2006	Löcker	
7,296,420 B2 *	11/2007	Chen et al.	62/62

7,315,447 B2 *	1/2008	Inoue et al.	361/679.48
D562,267 S *	2/2008	Renner	D13/177
D562,780 S *	2/2008	Egea Soler	D13/177
RE40,190 E *	4/2008	Takach et al.	D10/50
D566,597 S *	4/2008	Schneor	D10/103
D577,616 S *	9/2008	Edgar	D10/50
D582,800 S *	12/2008	Comerford et al.	D10/50
D589,822 S *	4/2009	Rhodes	D10/50
D590,730 S *	4/2009	Simard et al.	D10/50

* cited by examiner

Primary Examiner—Antoine D Davis

(74) *Attorney, Agent, or Firm*—The Nath Law Group; Derek Richmond; Jiaxiao Zhang

(57) **CLAIM**

The ornamental design for a controller, as shown and described.

DESCRIPTION

FIG. 1 is a perspective view of the controller showing my new design;

FIG. 2 is a front view of the controller thereof;

FIG. 3 is a right side view of the controller thereof;

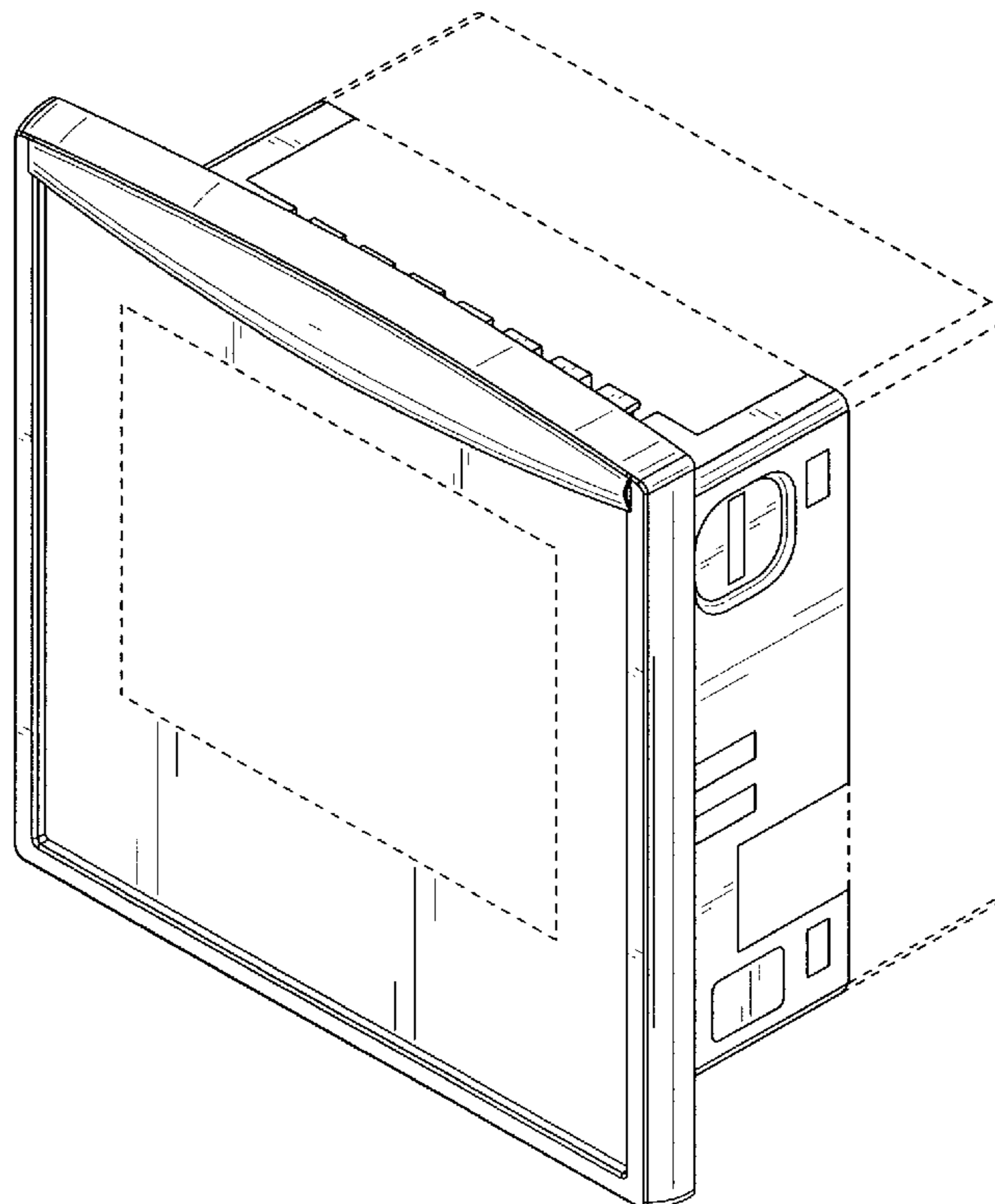
FIG. 4 is a left side view of the controller thereof;

FIG. 5 is a top view of the controller thereof; and,

FIG. 6 is a bottom view of the controller thereof.

The broken lines are for environmental purposes only and form no part of the claimed design.

1 Claim, 4 Drawing Sheets



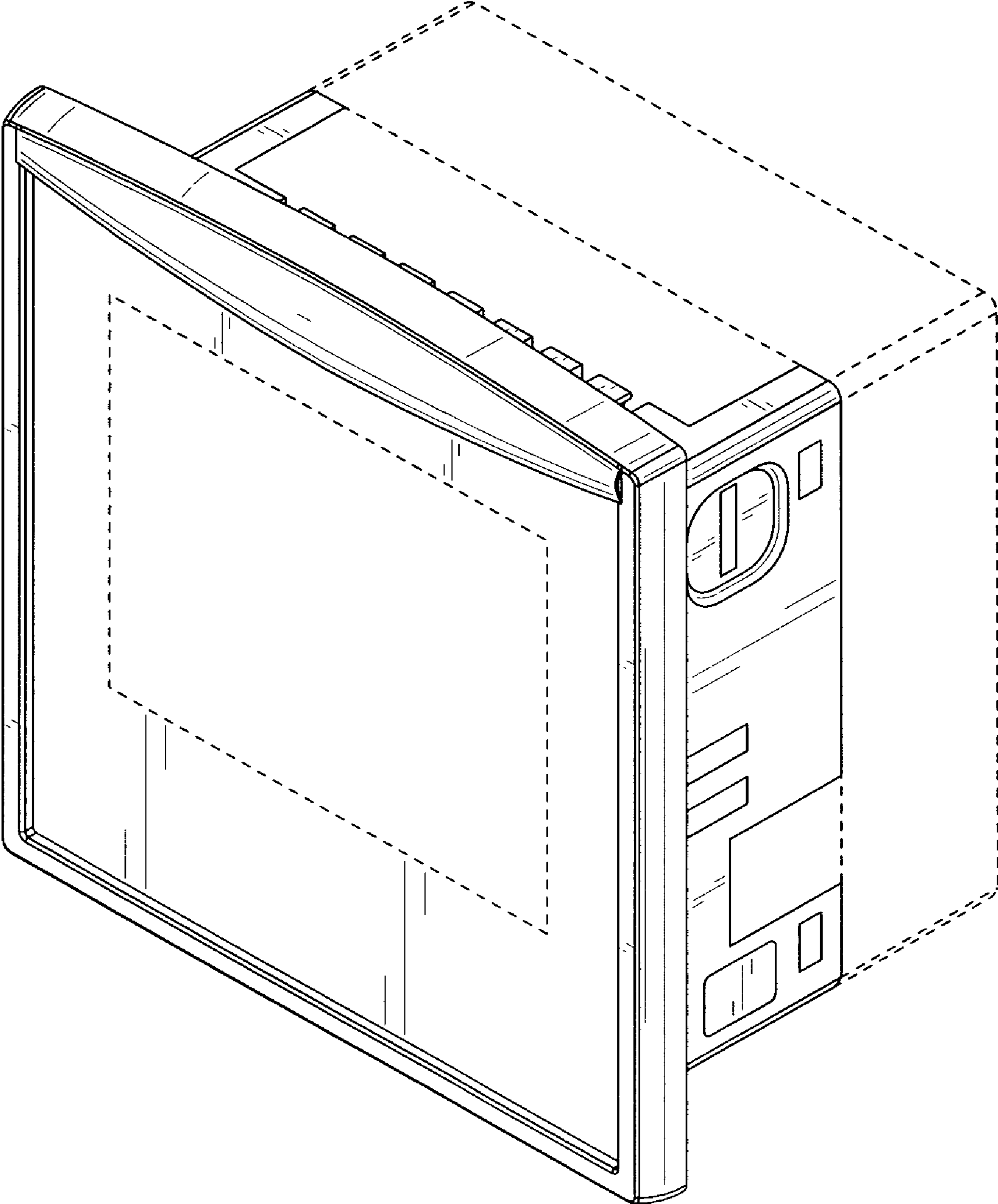


FIG. 1

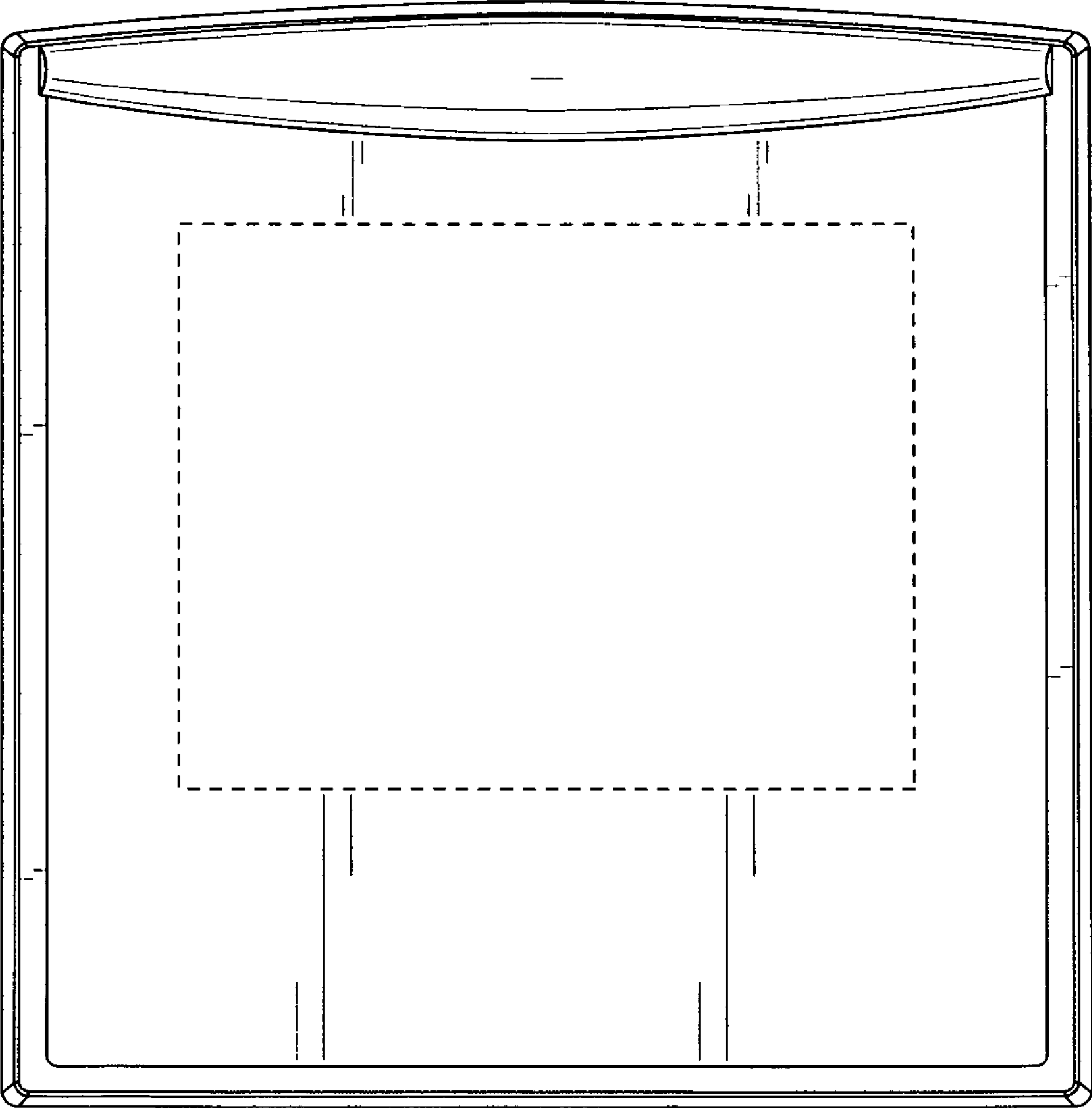


FIG. 2

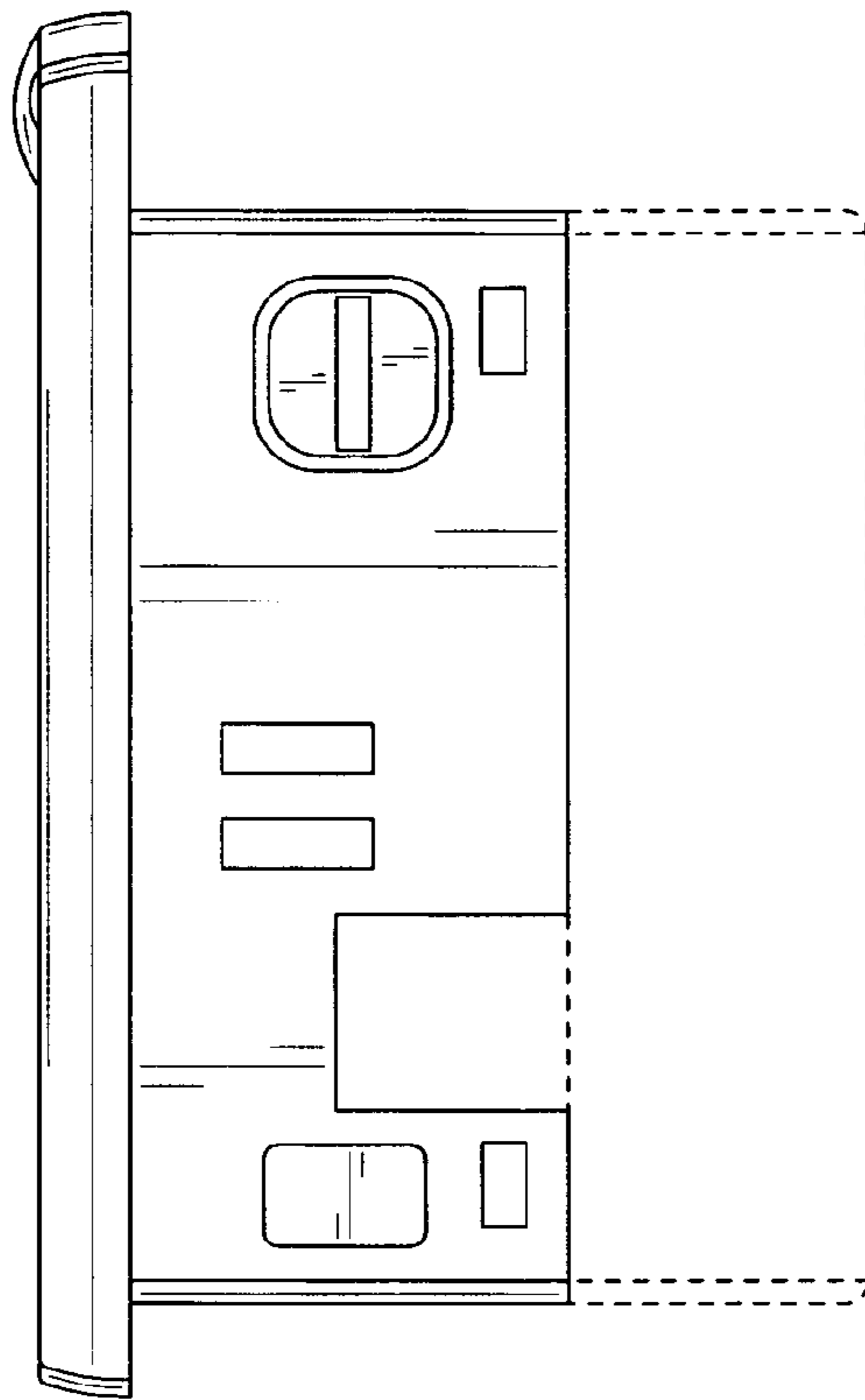


FIG. 3

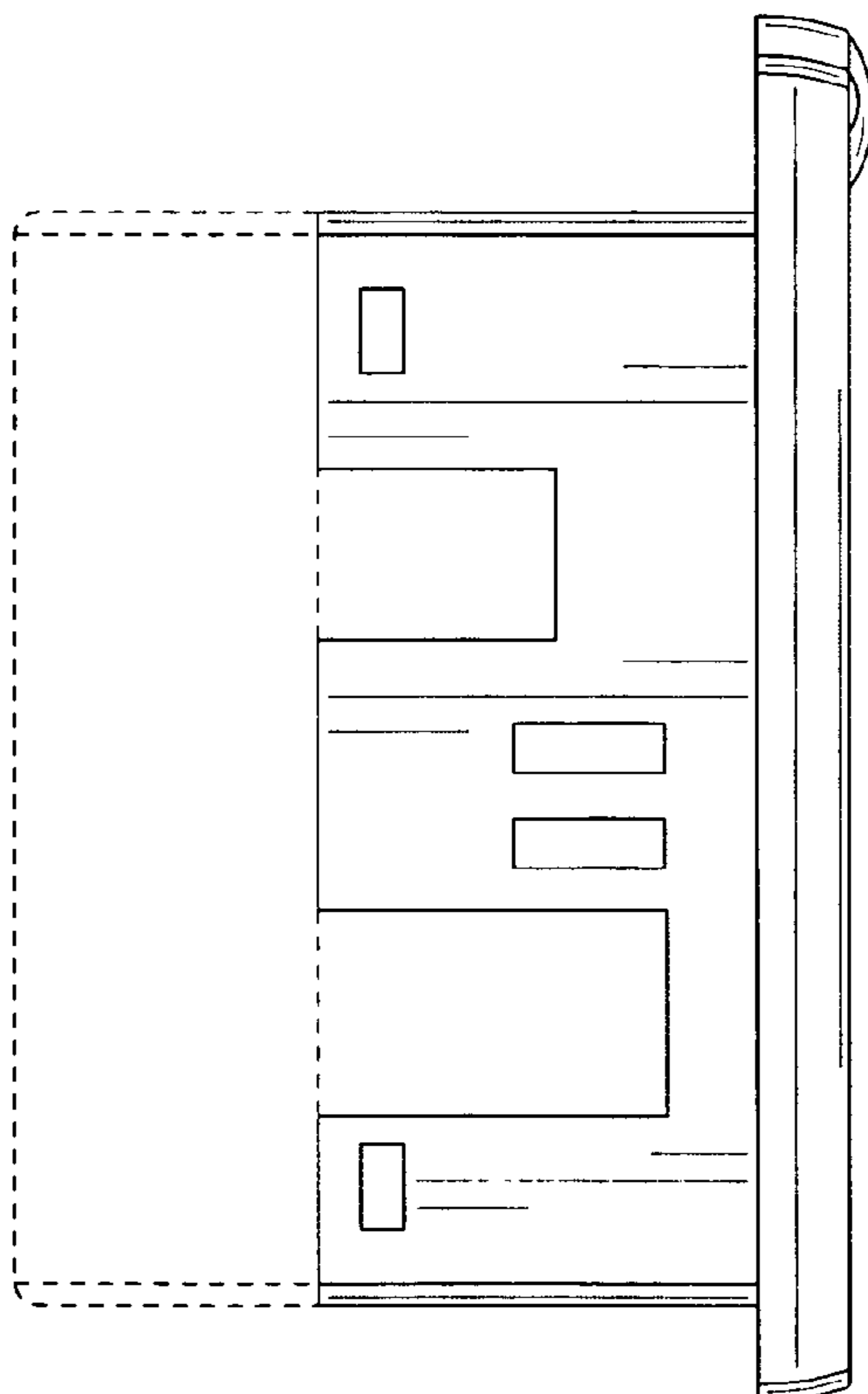


FIG. 4

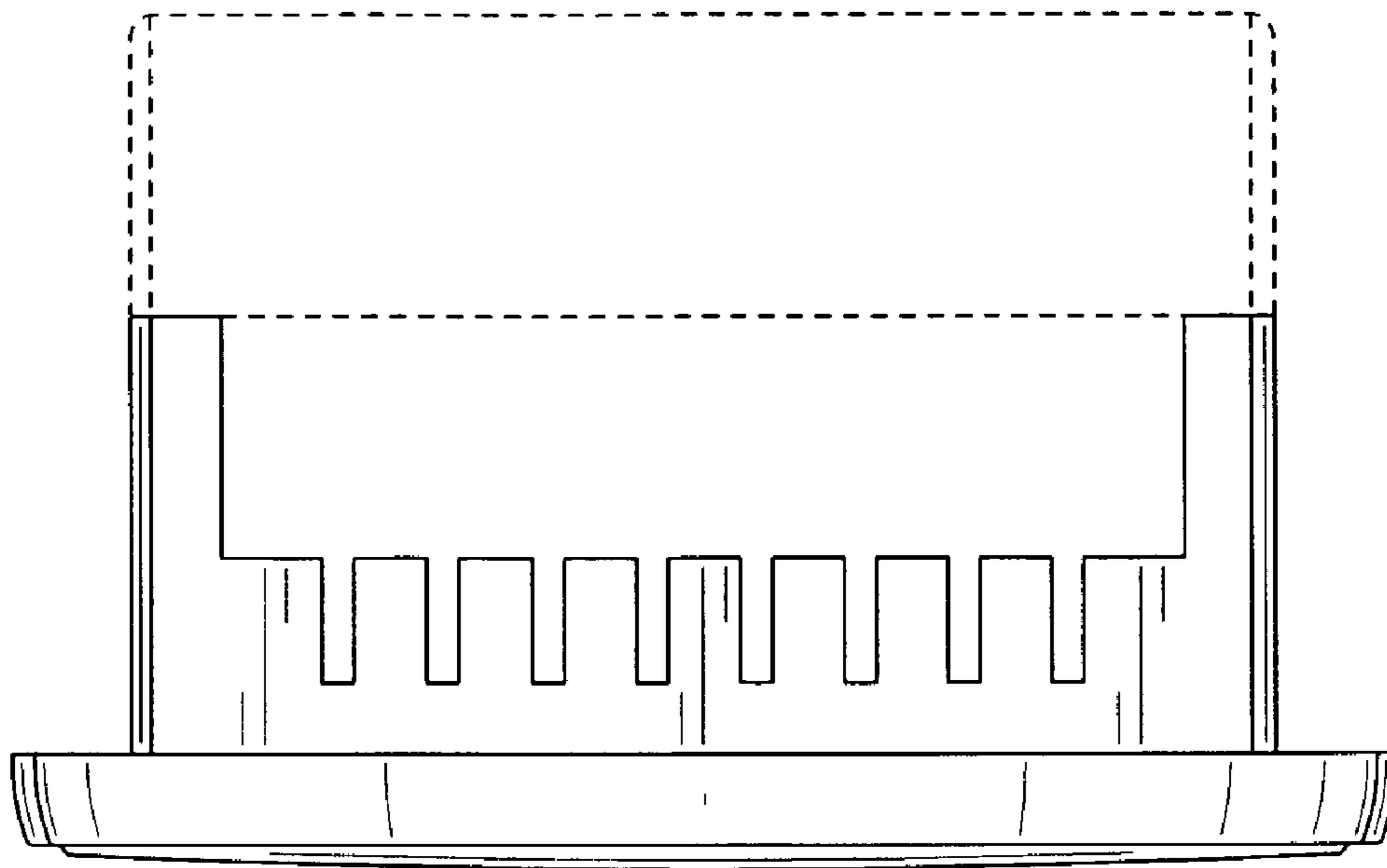


FIG. 5

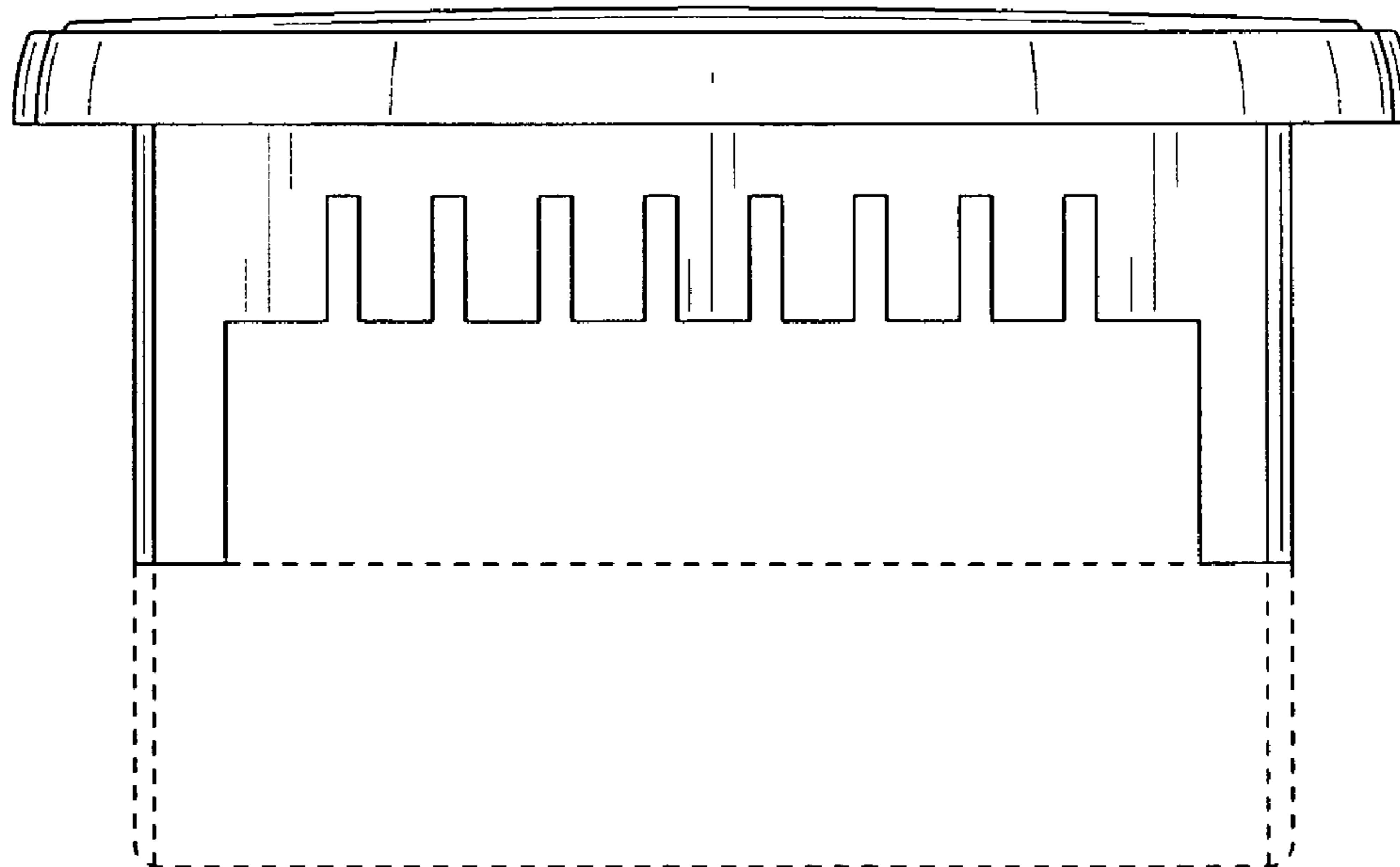


FIG. 6