



US00D613623S

(12) **United States Design Patent**
Liang

(10) **Patent No.:** **US D613,623 S**
(45) **Date of Patent:** **** Apr. 13, 2010**

- (54) **DEVICE FOR FOOD-SHELF-LIFE MANAGEMENT**
 - (75) Inventor: **Chih-Kai Liang**, Taipei (TW)
 - (73) Assignee: **Kun-Meng Lin**, Huatan Shiang, Changhua County (TW)
 - (**) Term: **14 Years**
 - (21) Appl. No.: **29/314,261**
 - (22) Filed: **Mar. 18, 2009**
 - (51) **LOC (9) Cl.** **10-03**
 - (52) **U.S. Cl.** **D10/40; D10/41; D10/15**
 - (58) **Field of Classification Search** **D10/40, D10/41, 15, 20, 24, 26; 368/107-123, 285, 368/316, 317**
- See application file for complete search history.

6,817,192 B2 *	11/2004	Ector et al.	62/125
D551,092 S *	9/2007	Sakamoto	D10/1
7,292,146 B1 *	11/2007	Nguyen	340/572.1
D556,606 S *	12/2007	Stauffer et al.	D10/40
D564,365 S *	3/2008	Chang	D10/2
D585,306 S *	1/2009	Oas	D10/2

* cited by examiner

Primary Examiner—Lucy Lieberman

(74) *Attorney, Agent, or Firm*—Charles E. Baxley

(57) **CLAIM**

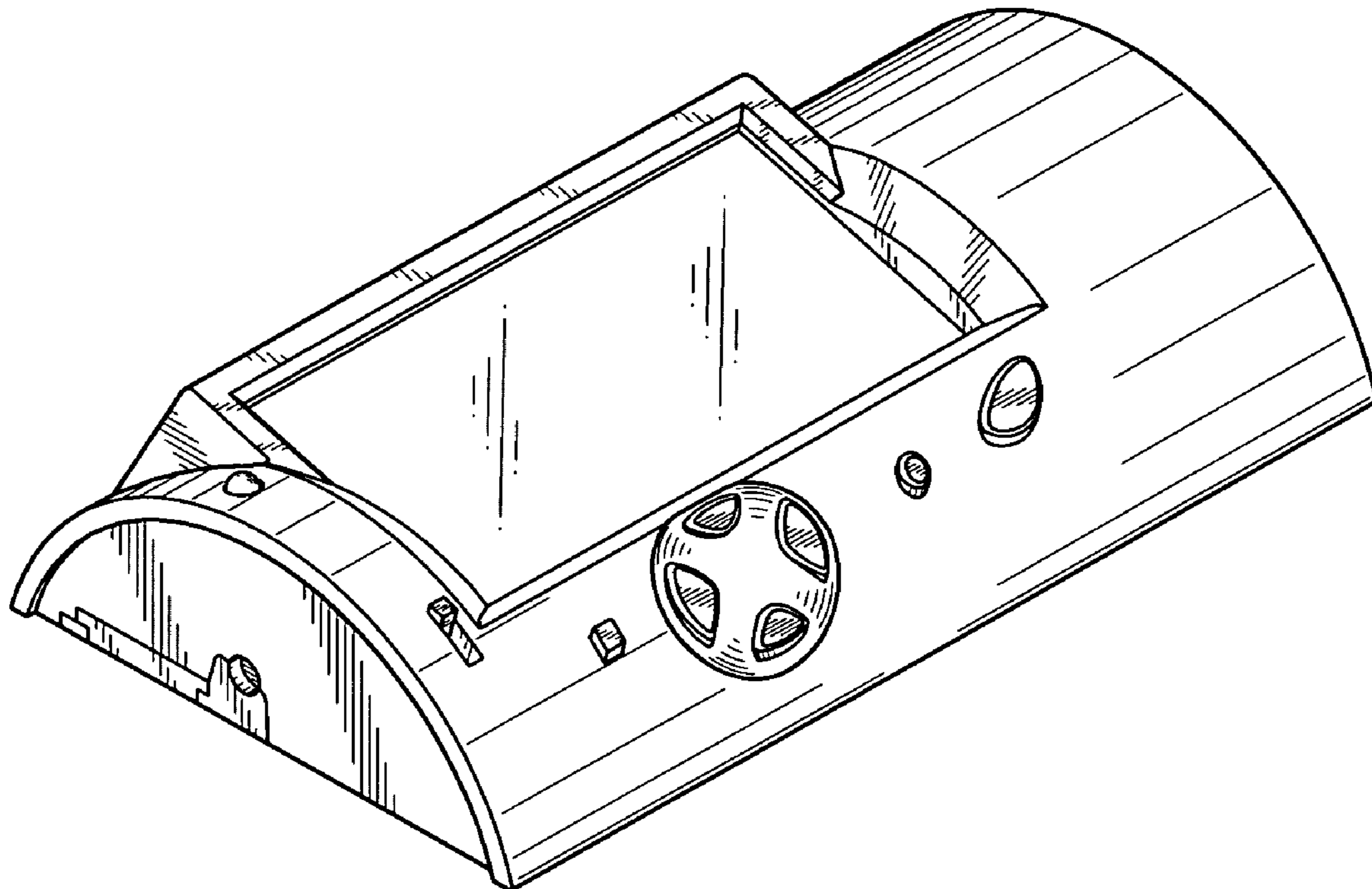
The ornamental design for a device for food-shelf-life management, as shown and described.

DESCRIPTION

- FIG. 1 is a perspective view of a device for food-shelf-life management showing my new design thereof;
- FIG. 2 is a front elevational view thereof;
- FIG. 3 is a rear elevational view thereof;
- FIG. 4 is a left side elevational view thereof;
- FIG. 5 is a right side elevational view thereof;
- FIG. 6 is a top plan view thereof;
- FIG. 7 is a bottom plan view thereof; and,
- FIG. 8 is a bottom perspective view thereof.

1 Claim, 5 Drawing Sheets

- (56) **References Cited**
- U.S. PATENT DOCUMENTS
- 2,749,704 A * 6/1956 Heikkila 368/233
- 5,243,579 A * 9/1993 Potthof 368/107
- D360,139 S * 7/1995 Pistilli D10/15
- 5,711,160 A * 1/1998 Namisniak et al. 62/125
- D409,500 S * 5/1999 Hargrove, III D10/15
- 6,523,286 B2 * 2/2003 Leicher 40/311
- D489,995 S * 5/2004 Wu D10/15



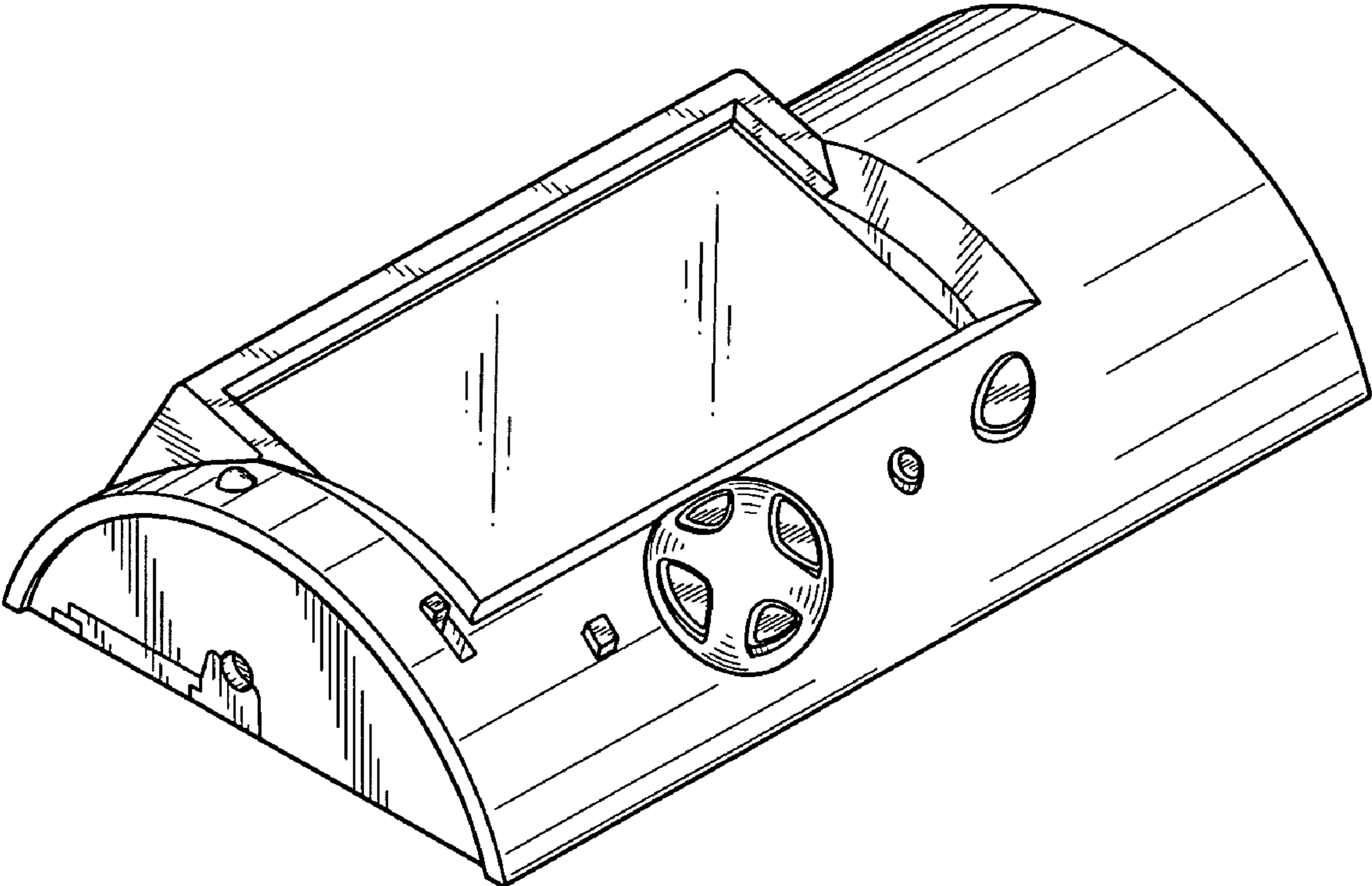


FIG. 1

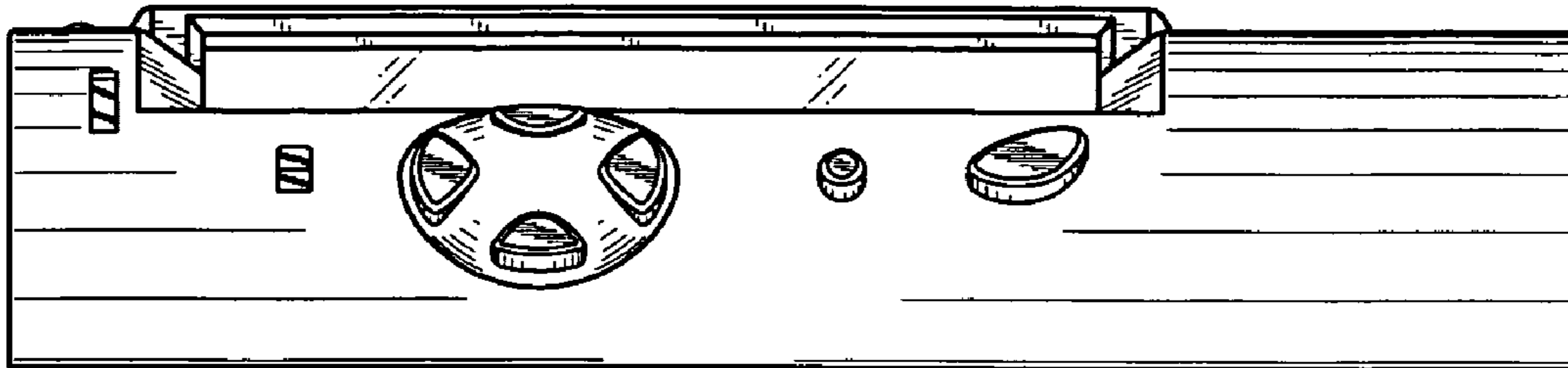


FIG. 2

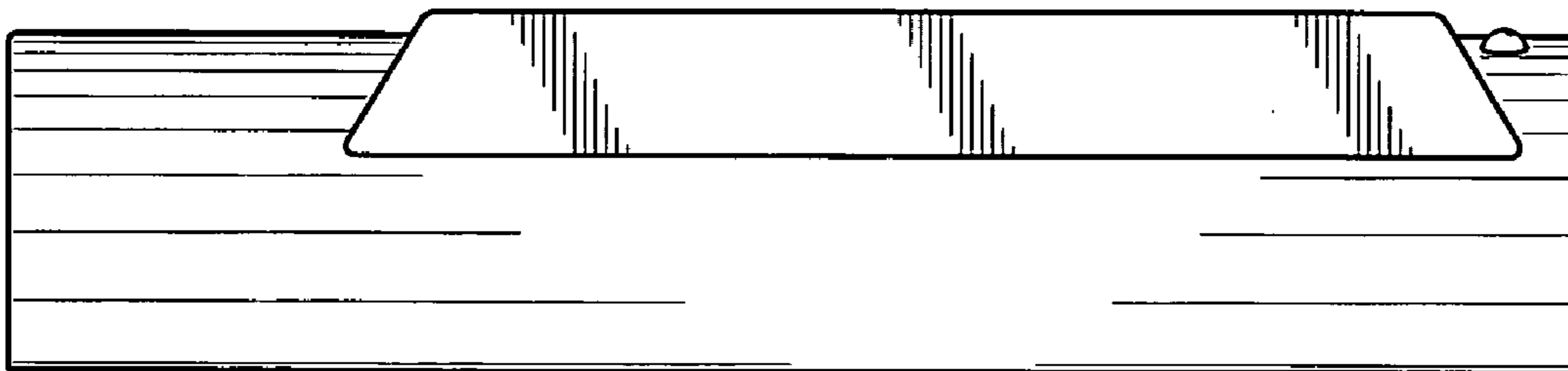


FIG. 3

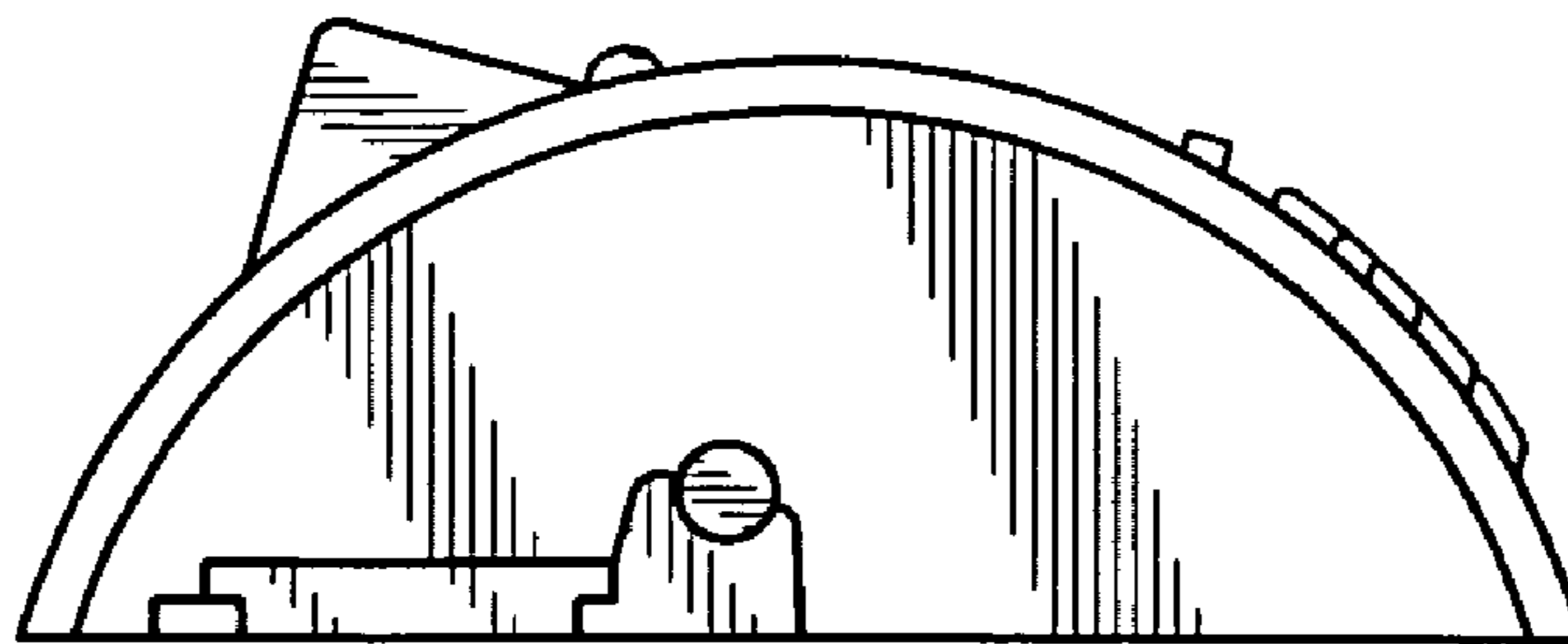


FIG. 4

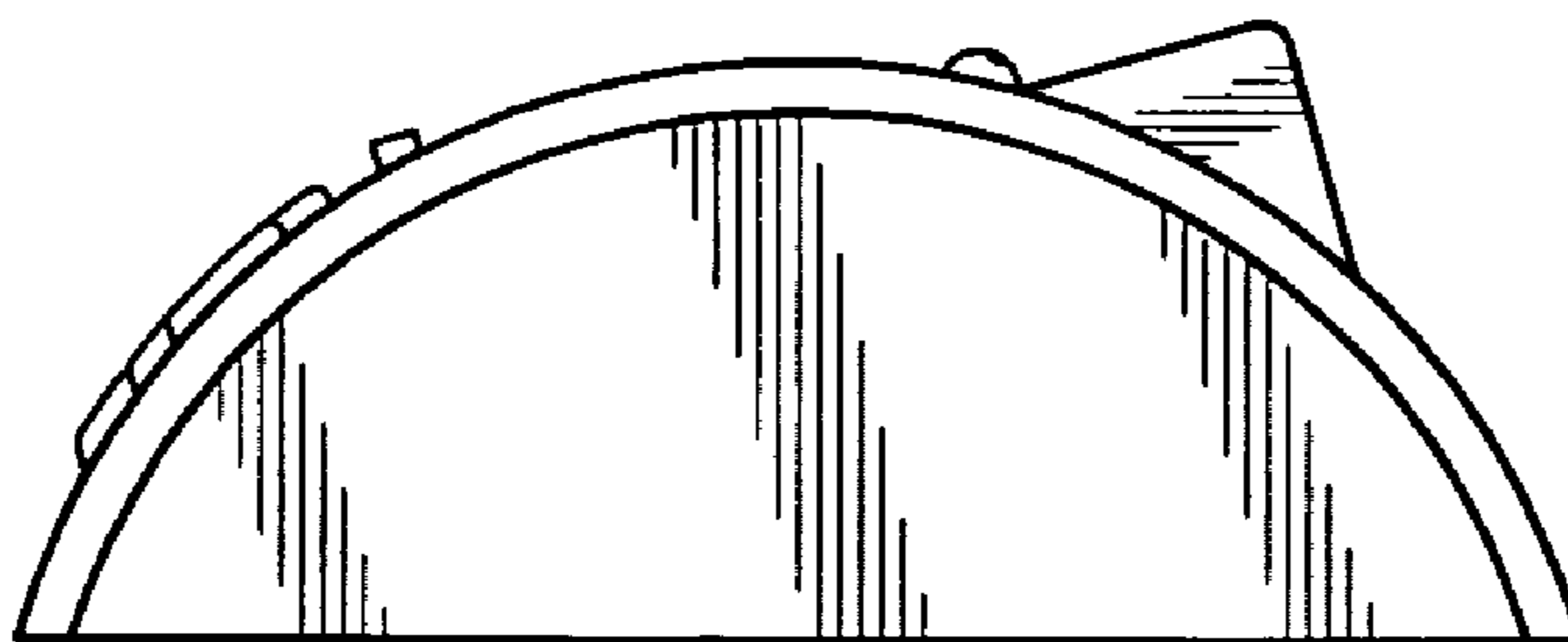


FIG. 5

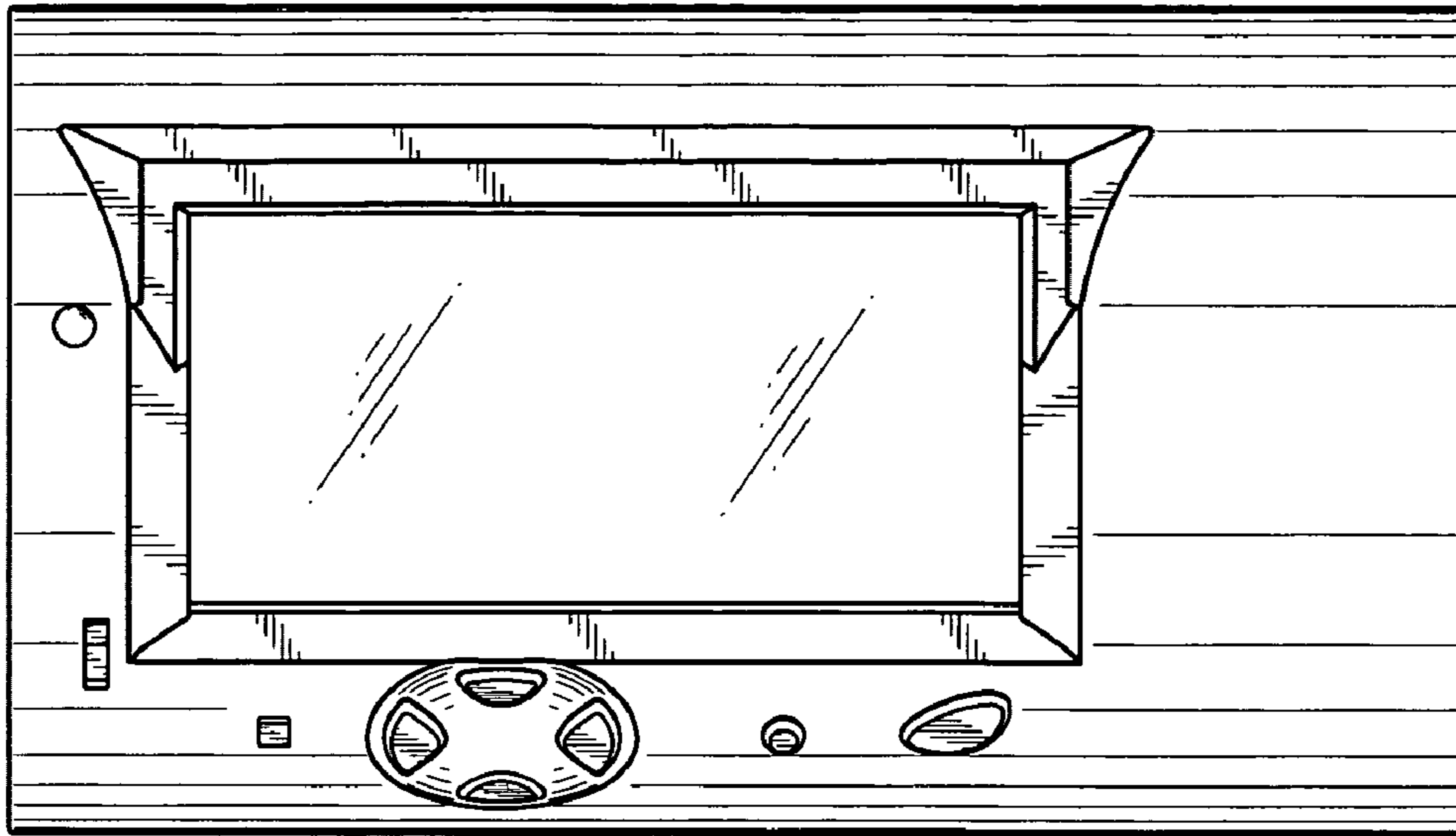


FIG. 6

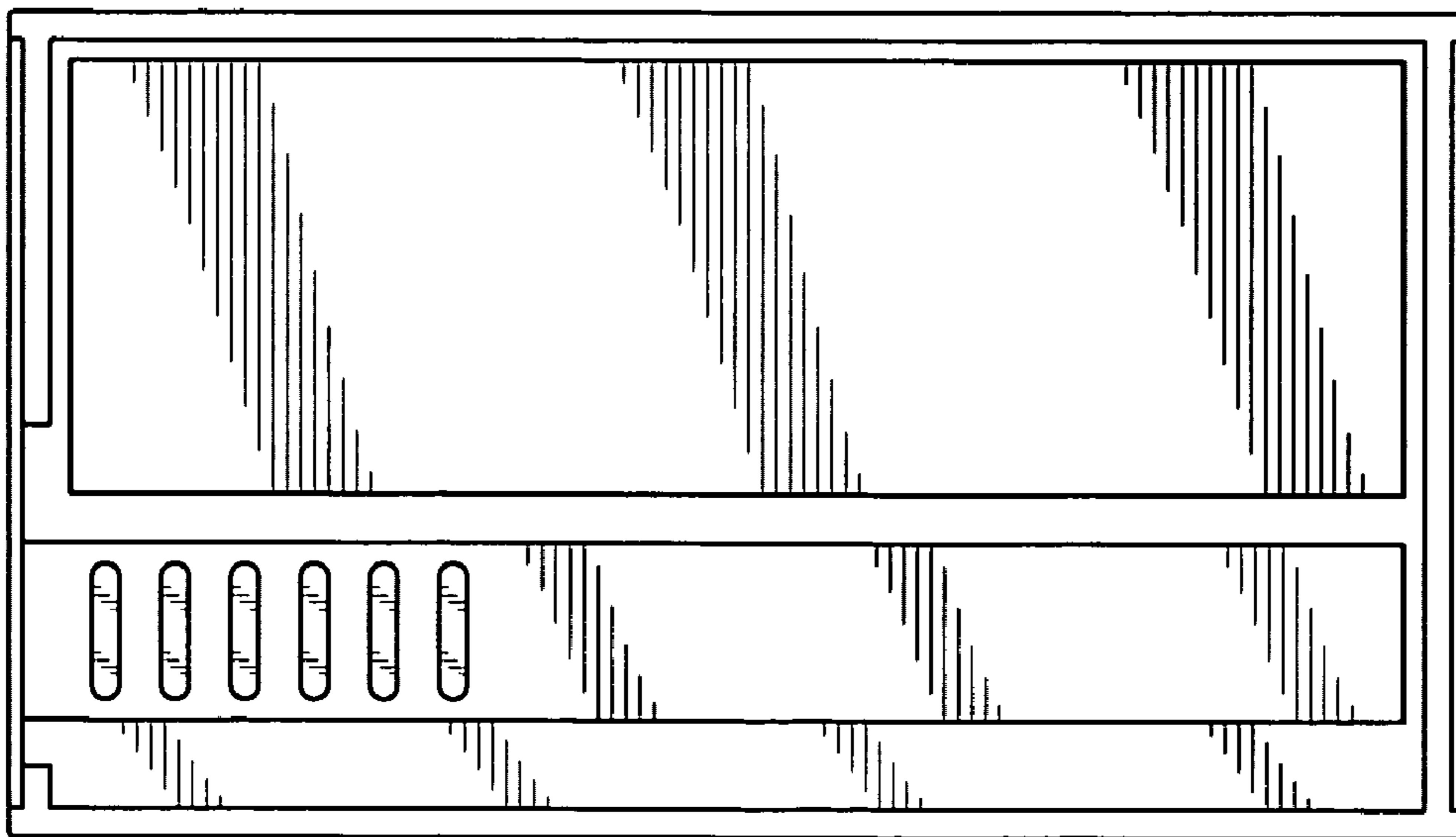


FIG. 7

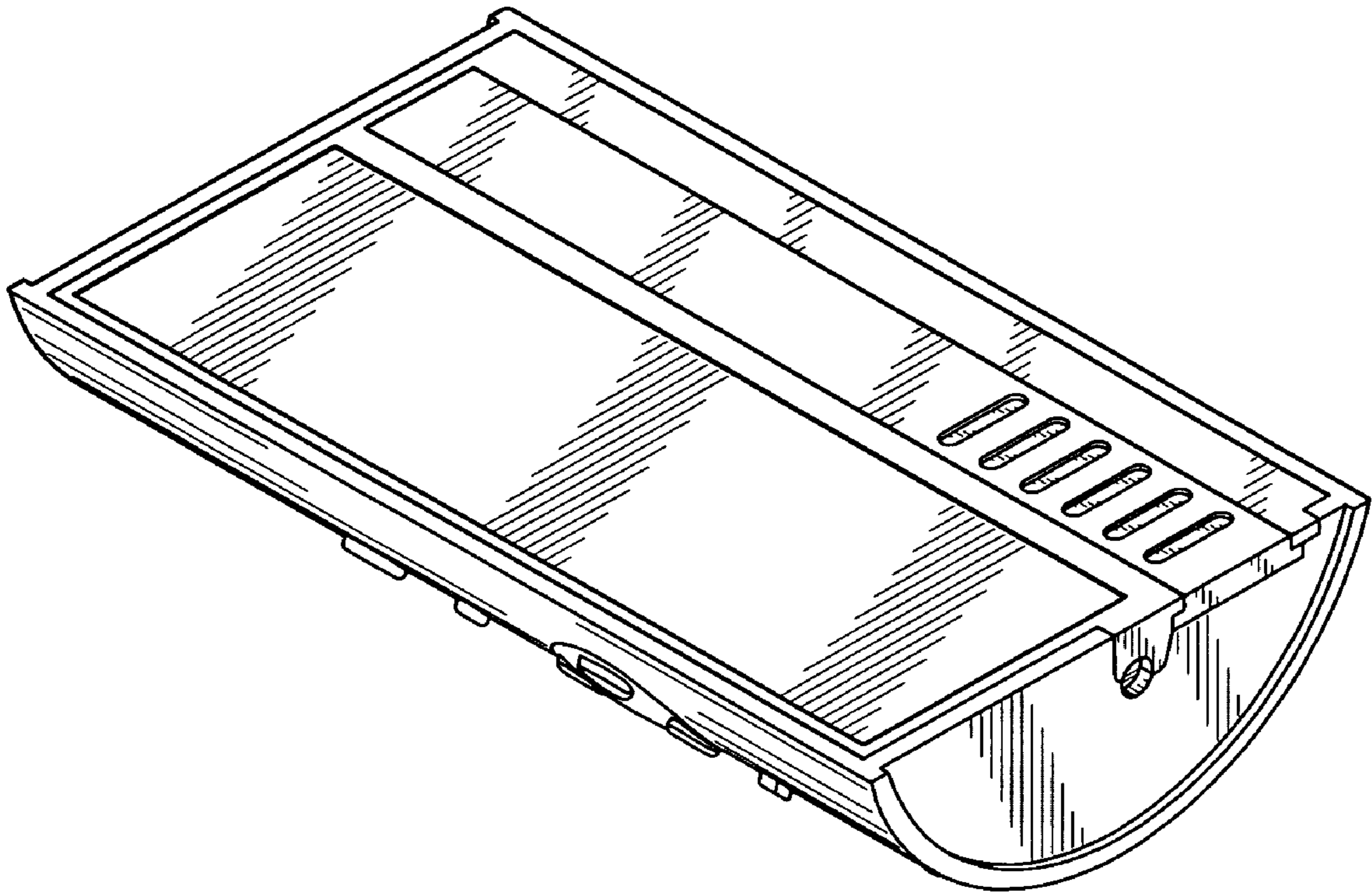


FIG. 8