



US00D613620S

(12) **United States Design Patent**
Loth

(10) **Patent No.:** **US D613,620 S**
(45) **Date of Patent:** **** Apr. 13, 2010**

(54) **WRISTWATCH**

(75) Inventor: **Eric Loth**, La Chaux-de Fonds (CH)

(73) Assignee: **The British Masters SA**, La Chaux-de-Fondes (CH)

(**) Term: **14 Years**

(21) Appl. No.: **29/344,252**

(22) Filed: **Sep. 25, 2009**

(30) **Foreign Application Priority Data**

Mar. 25, 2009 (CH) 135880

(51) **LOC (9) Cl.** **10-02**

(52) **U.S. Cl.** **D10/32**

(58) **Field of Classification Search** D10/30-39,
D10/122-126; 368/276, 281, 282, 285, 223,
368/228, 80, 232, 28, 308, 319; D11/3
See application file for complete search history.

(56) **References Cited**

U.S. PATENT DOCUMENTS

D212,640 S *	11/1968	Bollier	D11/3
3,427,800 A *	2/1969	Blum	368/223
3,503,203 A *	3/1970	Gruner et al.	368/21
D447,705 S *	9/2001	Scheufele	D10/39
D452,175 S *	12/2001	Finazzi	D10/39
D457,817 S *	5/2002	Brandt	D10/39
D490,001 S *	5/2004	Elnekaveh	D10/32
D520,384 S *	5/2006	Scheufele	D10/39

D536,996 S *	2/2007	Loth	D10/32
D567,677 S *	4/2008	Finazzi	D10/34
D574,734 S *	8/2008	Loth	D10/38
D578,413 S *	10/2008	Laucella	D10/39
D579,351 S *	10/2008	Monachon	D10/39
D585,309 S *	1/2009	Monachon	D10/39
D585,768 S *	2/2009	Loth	D10/39
D586,238 S *	2/2009	Loth	D10/32
D586,669 S *	2/2009	Loth	D10/39
D591,179 S *	4/2009	Loth	D10/39

* cited by examiner

Primary Examiner—Lucy Lieberman

(74) *Attorney, Agent, or Firm*—Sughrue Mion PLLC

(57) **CLAIM**

The ornamental design for a wristwatch, as shown and described.

DESCRIPTION

FIG. 1 is a perspective view of the front and right side of a wristwatch showing my new design;

FIG. 2 is a front elevational view thereof;

FIG. 3 is a rear elevational view thereof;

FIG. 4 is a left side elevational view thereof;

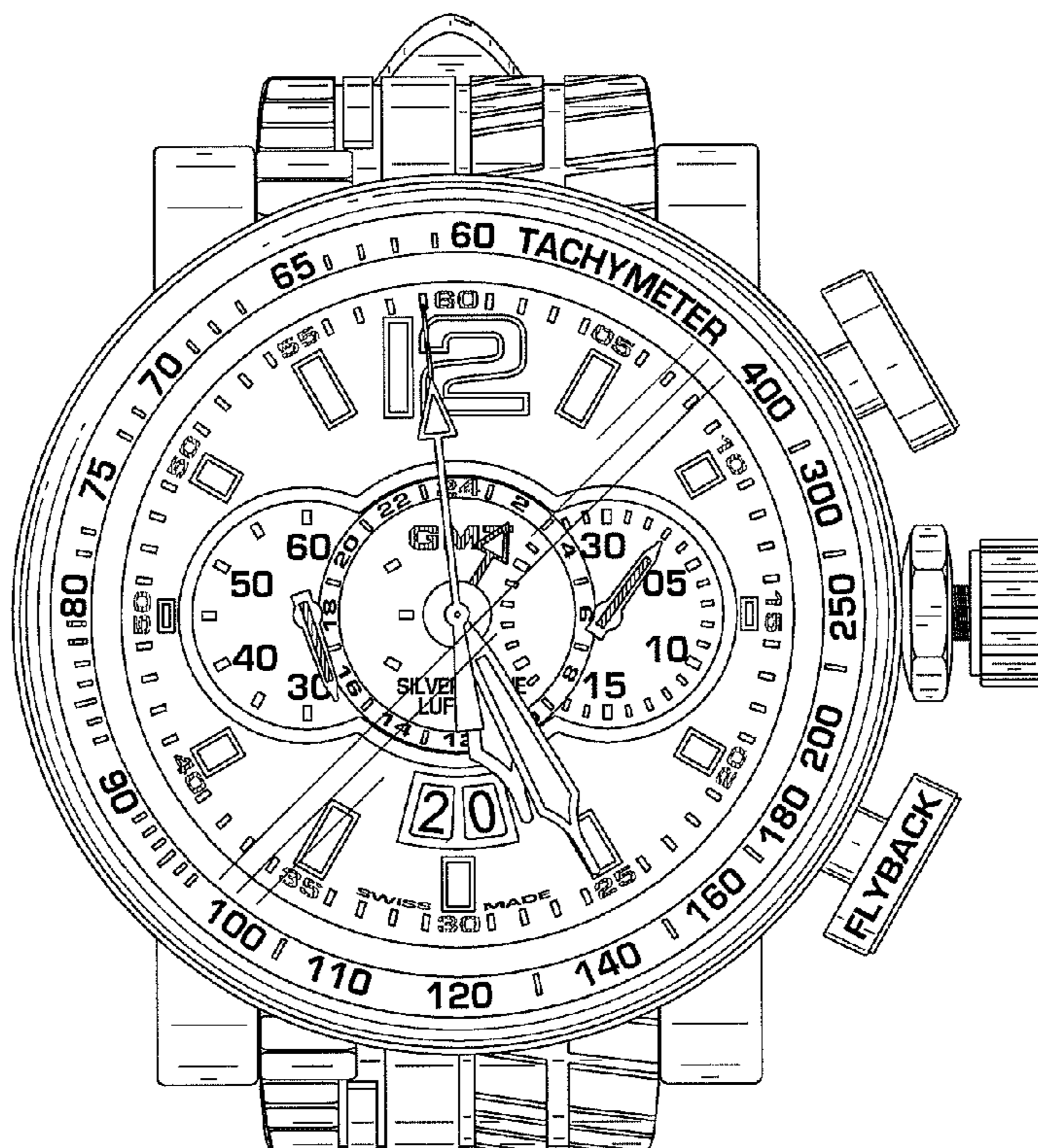
FIG. 5 is a right side elevational view thereof;

FIG. 6 is a top plan view thereof;

FIG. 7 is a bottom plan view thereof; and,

FIG. 8 is a perspective view of the rear and right side thereof.

1 Claim, 8 Drawing Sheets



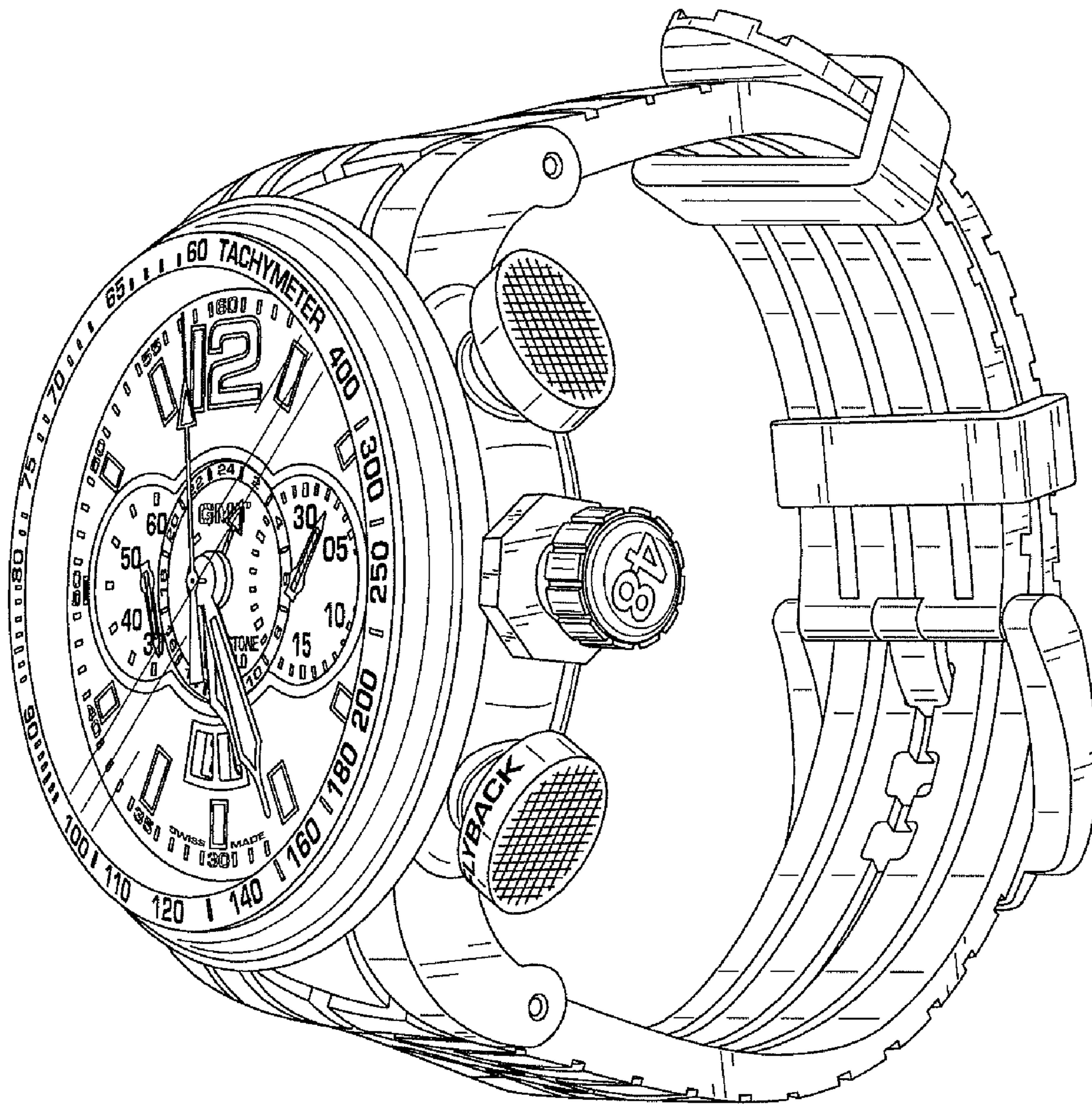


FIG. 1

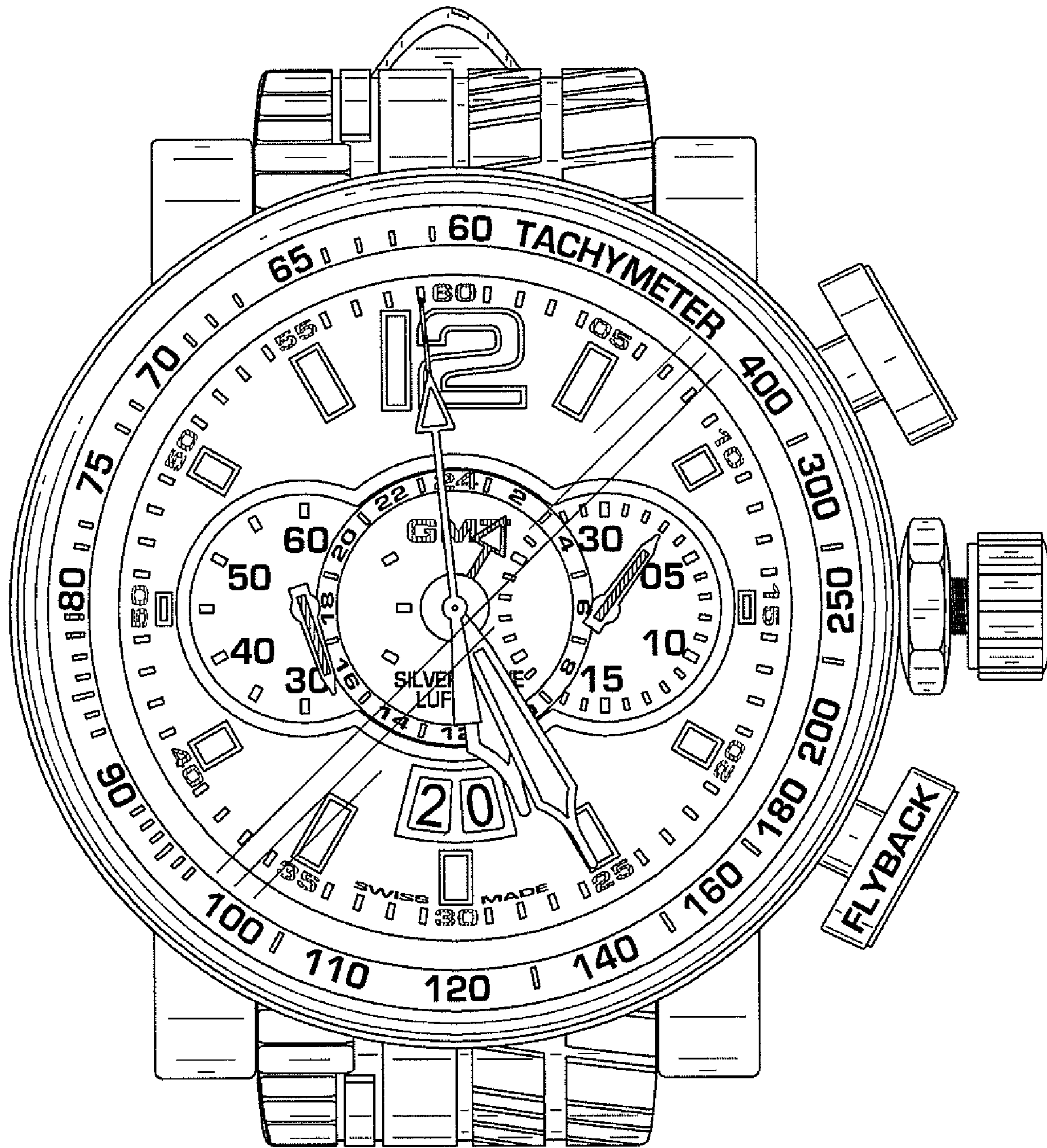


FIG. 2

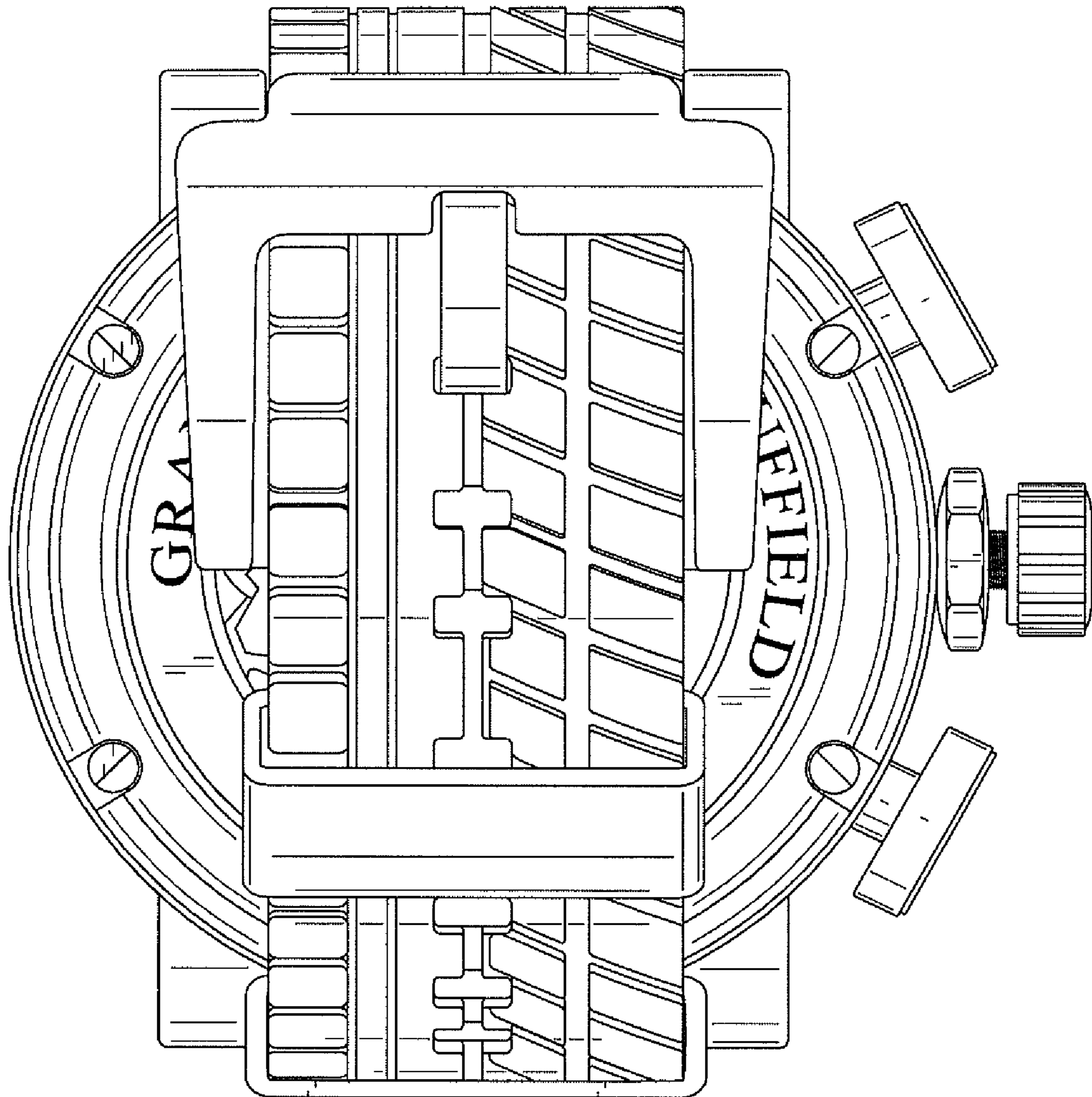


FIG. 3

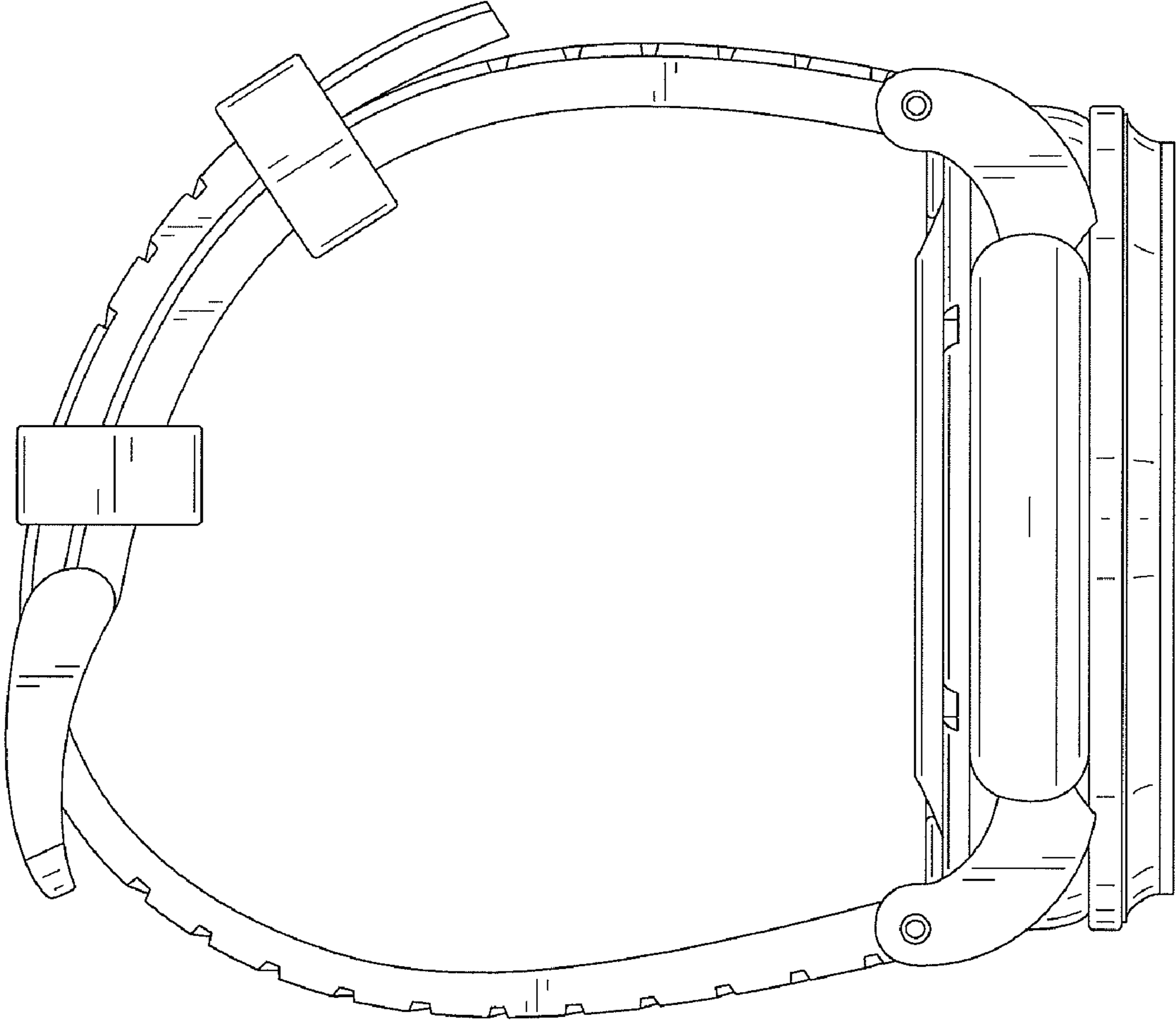


FIG. 4

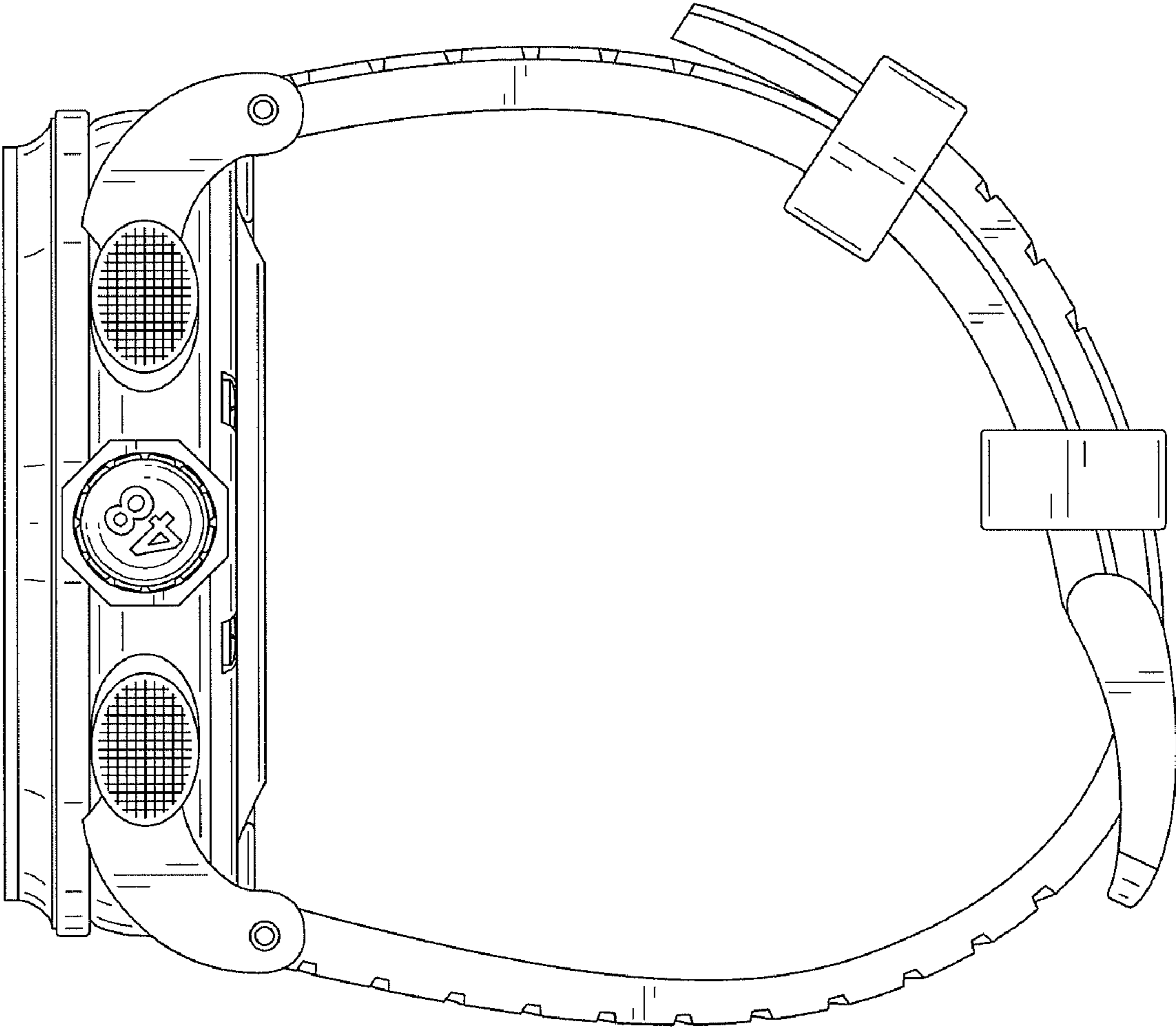


FIG. 5

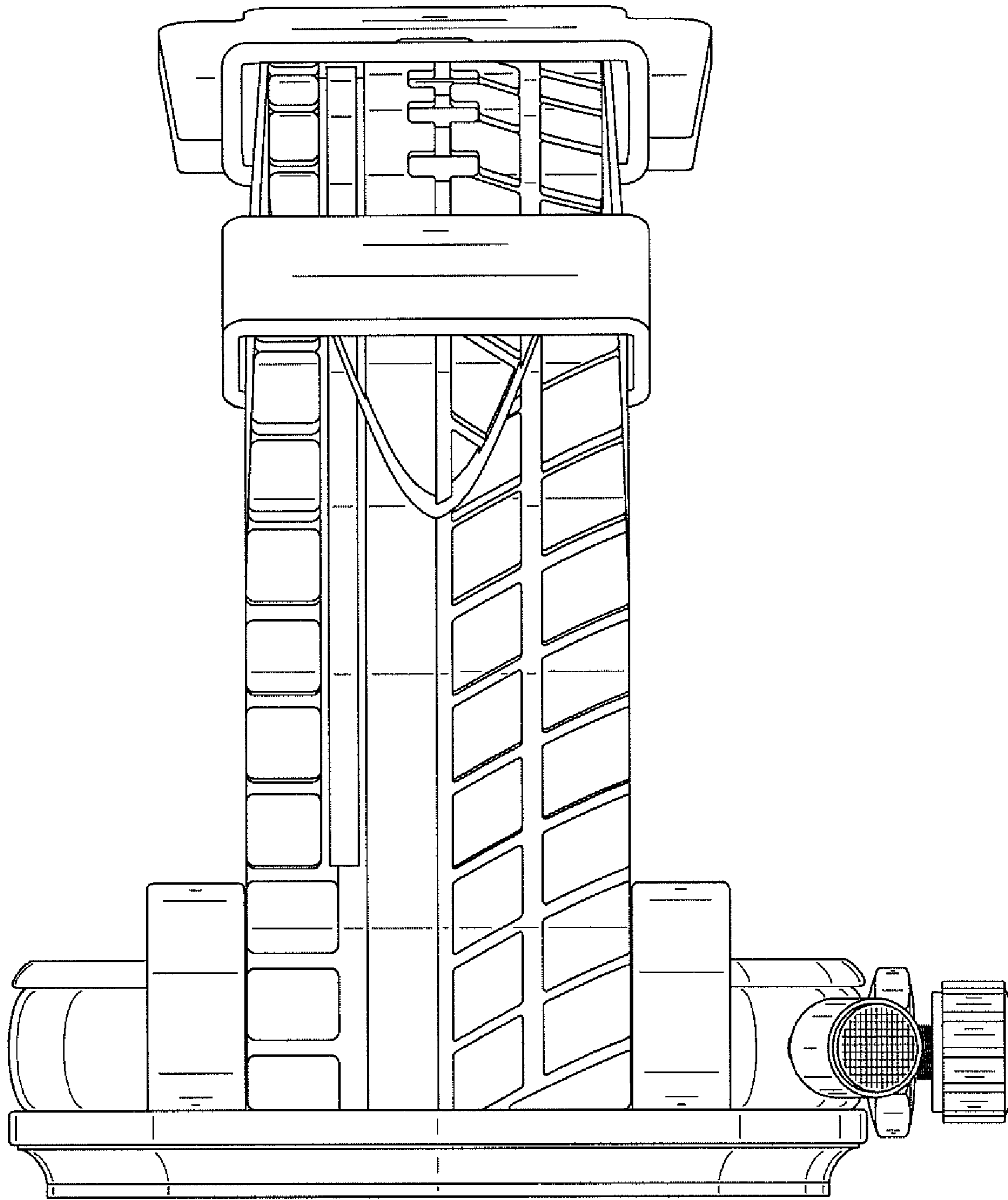


FIG. 6

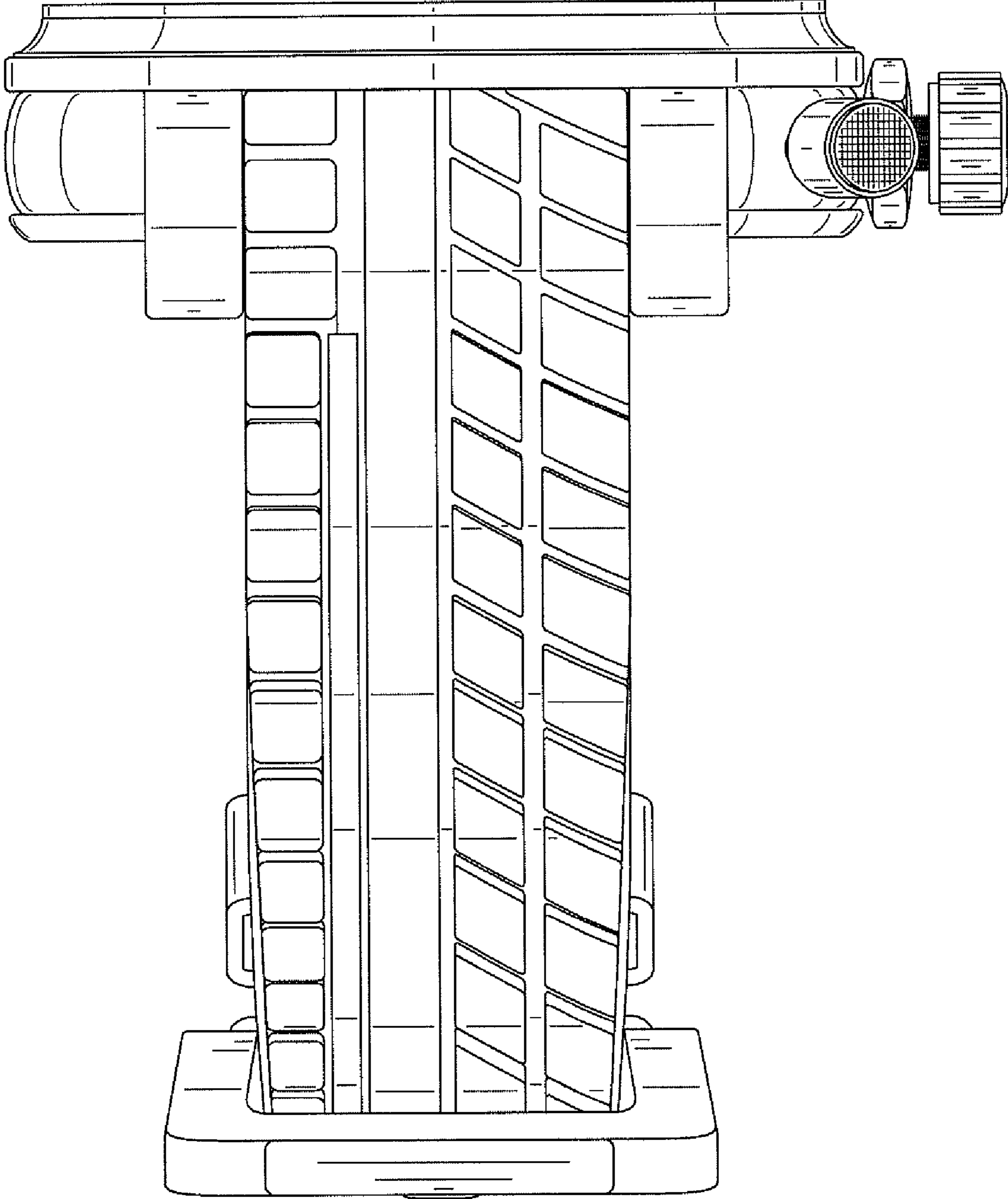


FIG. 7

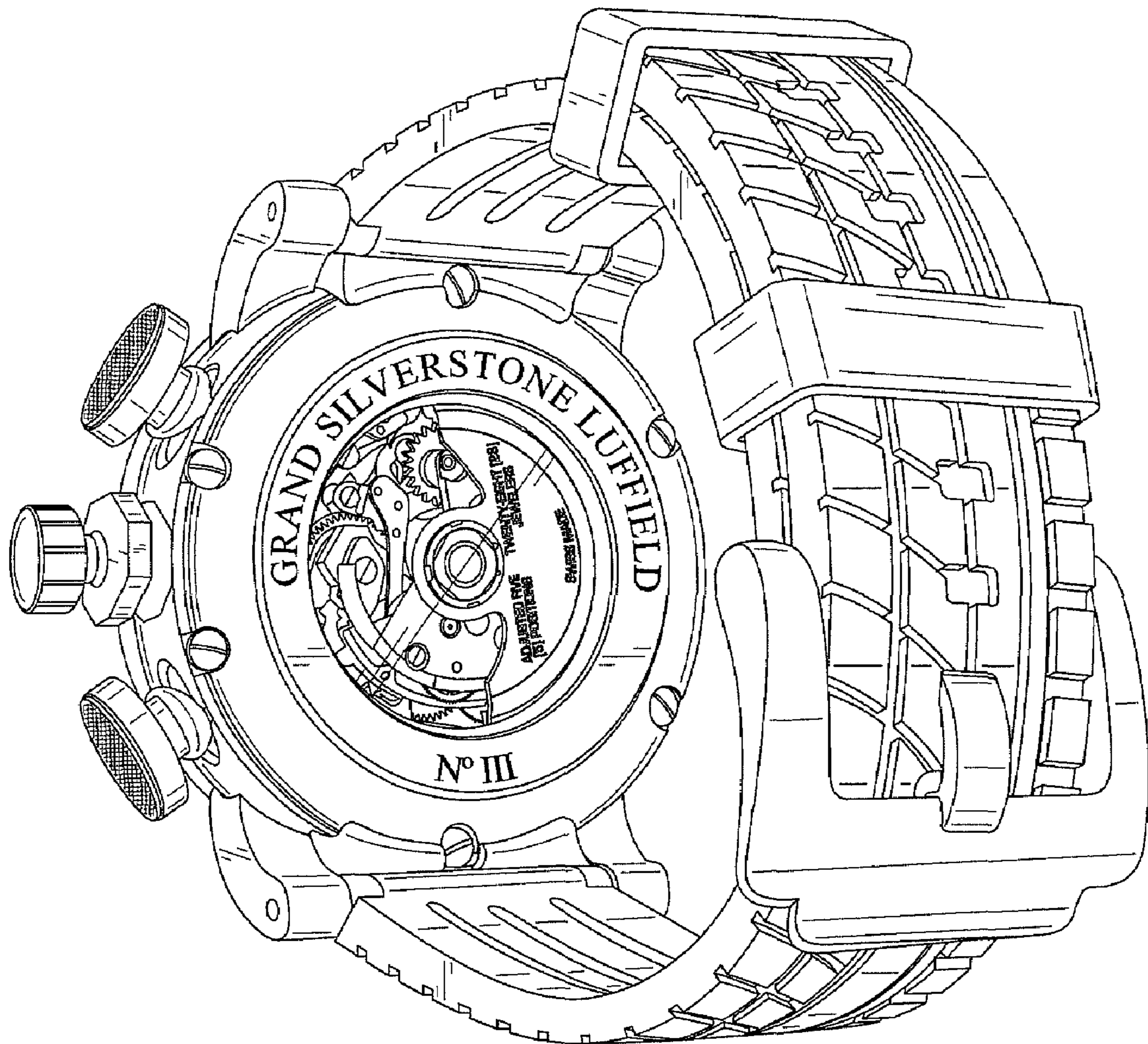


FIG. 8