



US00D613619S

(12) **United States Design Patent**  
**Yang**

(10) **Patent No.:** **US D613,619 S**  
(45) **Date of Patent:** **\*\* Apr. 13, 2010**

(54) **LIQUID CRYSTAL DISPLAY CLOCK**

(75) Inventor: **Chu-Fang Yang**, Tainan (TW)

(73) Assignee: **Hannstar Display Corp.**, Taipei (TW)

(\*\*) Term: **14 Years**

(21) Appl. No.: **29/342,997**

(22) Filed: **Sep. 3, 2009**

(51) **LOC (9) Cl.** ..... **10-01**

(52) **U.S. Cl.** ..... **D10/26**

(58) **Field of Classification Search** ..... D10/1-29;  
368/276, 316, 317, 30, 82-84, 242, 241  
See application file for complete search history.

(56) **References Cited**

U.S. PATENT DOCUMENTS

D89,168 S *	2/1933	Carlson	.....	D10/26
D169,432 S *	4/1953	Garland	.....	D10/21
D171,970 S *	4/1954	Duncan	.....	D10/21
D186,529 S *	11/1959	Florian	.....	D10/21
D281,956 S *	12/1985	Nicolino et al.	.....	D10/26
D316,046 S *	4/1991	Kato	.....	D10/25
D321,141 S *	10/1991	Aikawa	.....	D10/26
D321,663 S *	11/1991	Tanaka	.....	D10/18
D346,749 S *	5/1994	Wong	.....	D10/28
D358,339 S *	5/1995	Wong	.....	D10/18
D489,009 S *	4/2004	Sheldon et al.	.....	D10/24

D541,673 S *	5/2007	Haupt	.....	D10/15
D542,154 S *	5/2007	Lee	.....	D10/24
D544,800 S *	6/2007	Haupt	.....	D10/15
D545,692 S *	7/2007	Bhavnani	.....	D10/2

\* cited by examiner

*Primary Examiner*—Lucy Lieberman

(74) *Attorney, Agent, or Firm*—Stout, Uxa, Buyan & Mullins, LLP

(57) **CLAIM**

The ornamental design for a liquid crystal display clock, as shown and described.

**DESCRIPTION**

FIG. 1 is a front perspective view of a liquid crystal display clock showing my new design;

FIG. 2 is a front elevational view thereof;

FIG. 3 is a rear elevational view thereof;

FIG. 4 is a left side elevational view thereof;

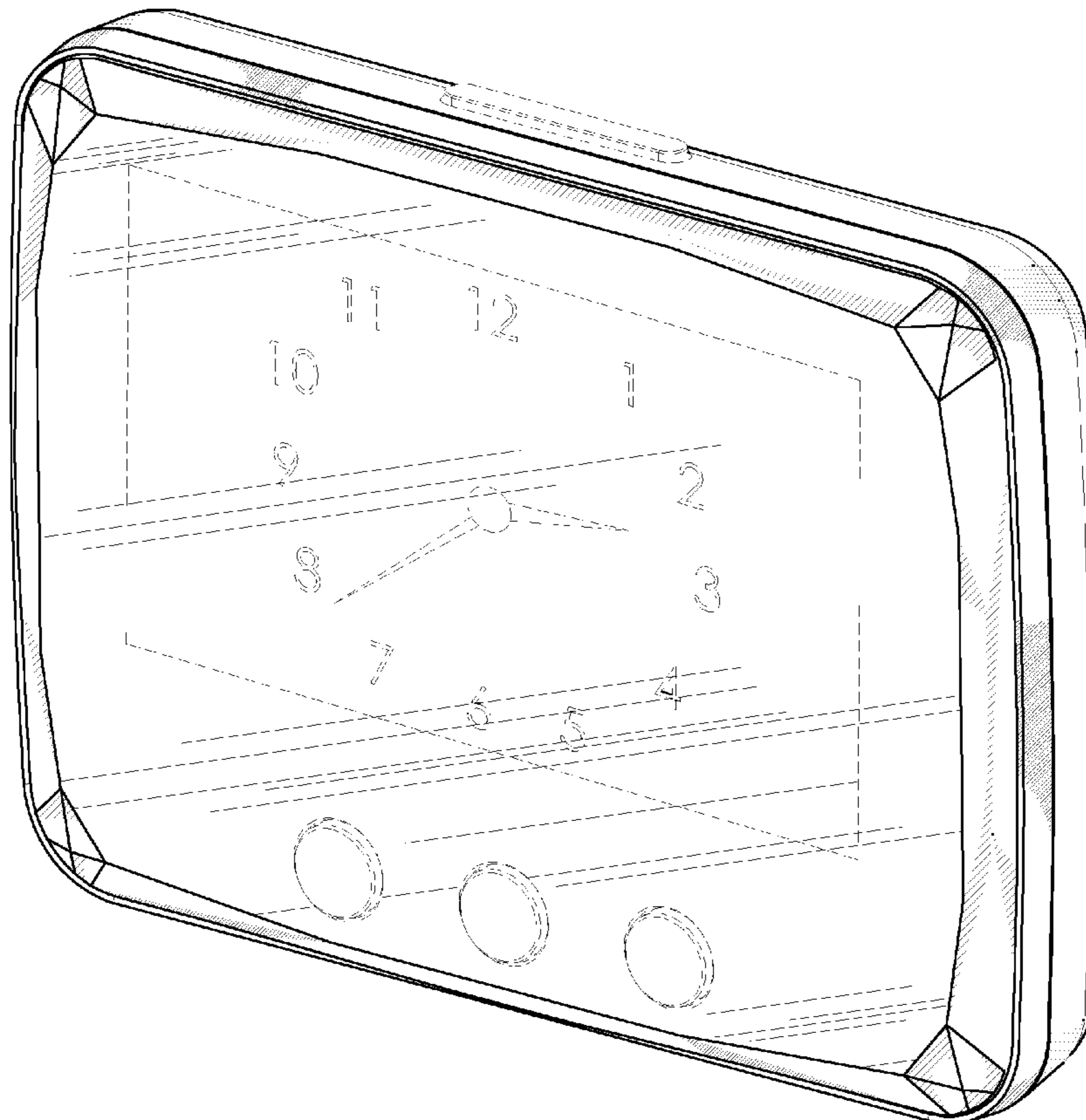
FIG. 5 is a right side elevational view thereof;

FIG. 6 is a top plan view thereof; and,

FIG. 7 is a bottom plan view thereof.

The broken lines in the drawings are used to show portions of the liquid crystal display clock that do not form part of the claimed design.

**1 Claim, 7 Drawing Sheets**



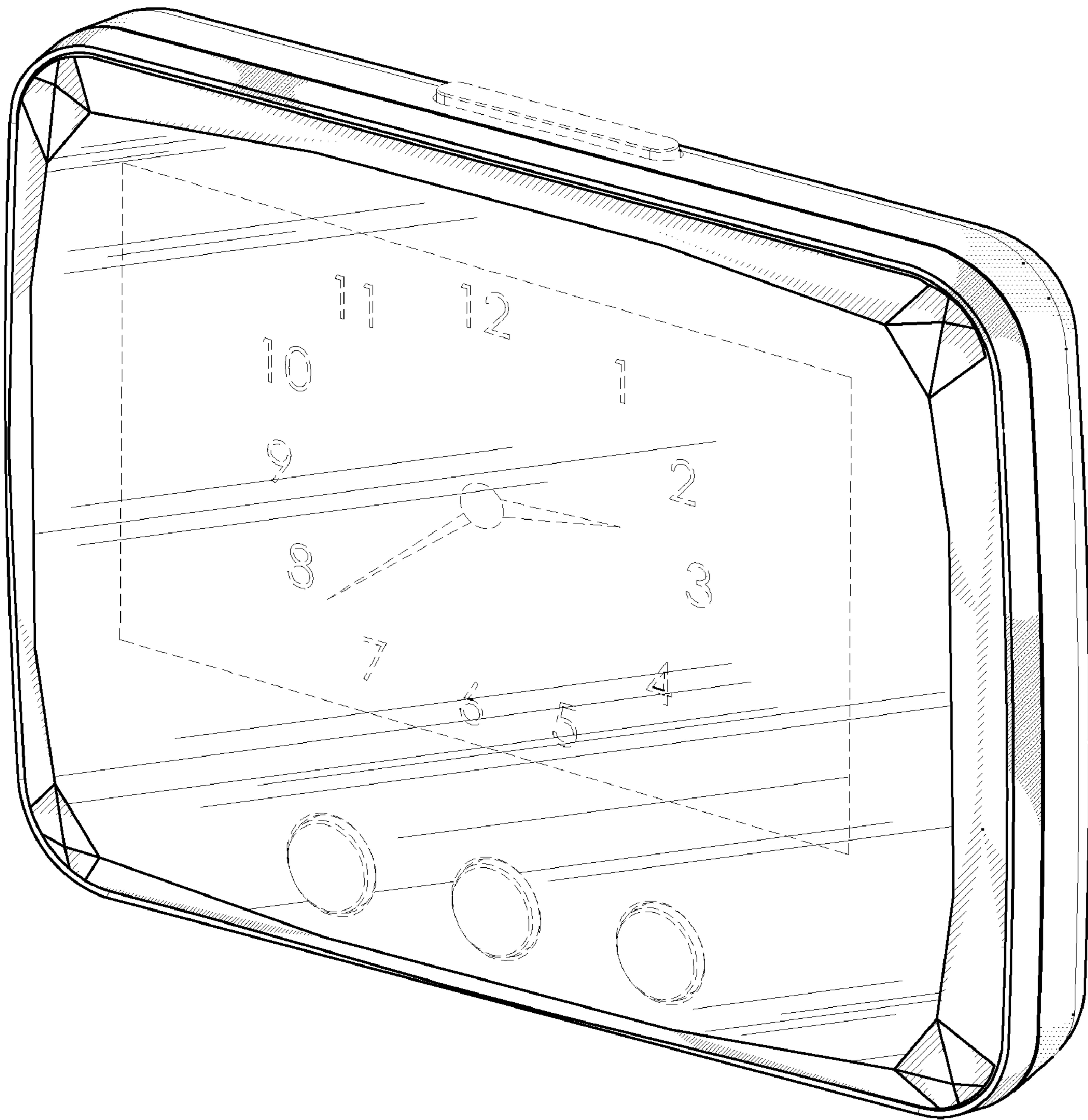


FIG. 1

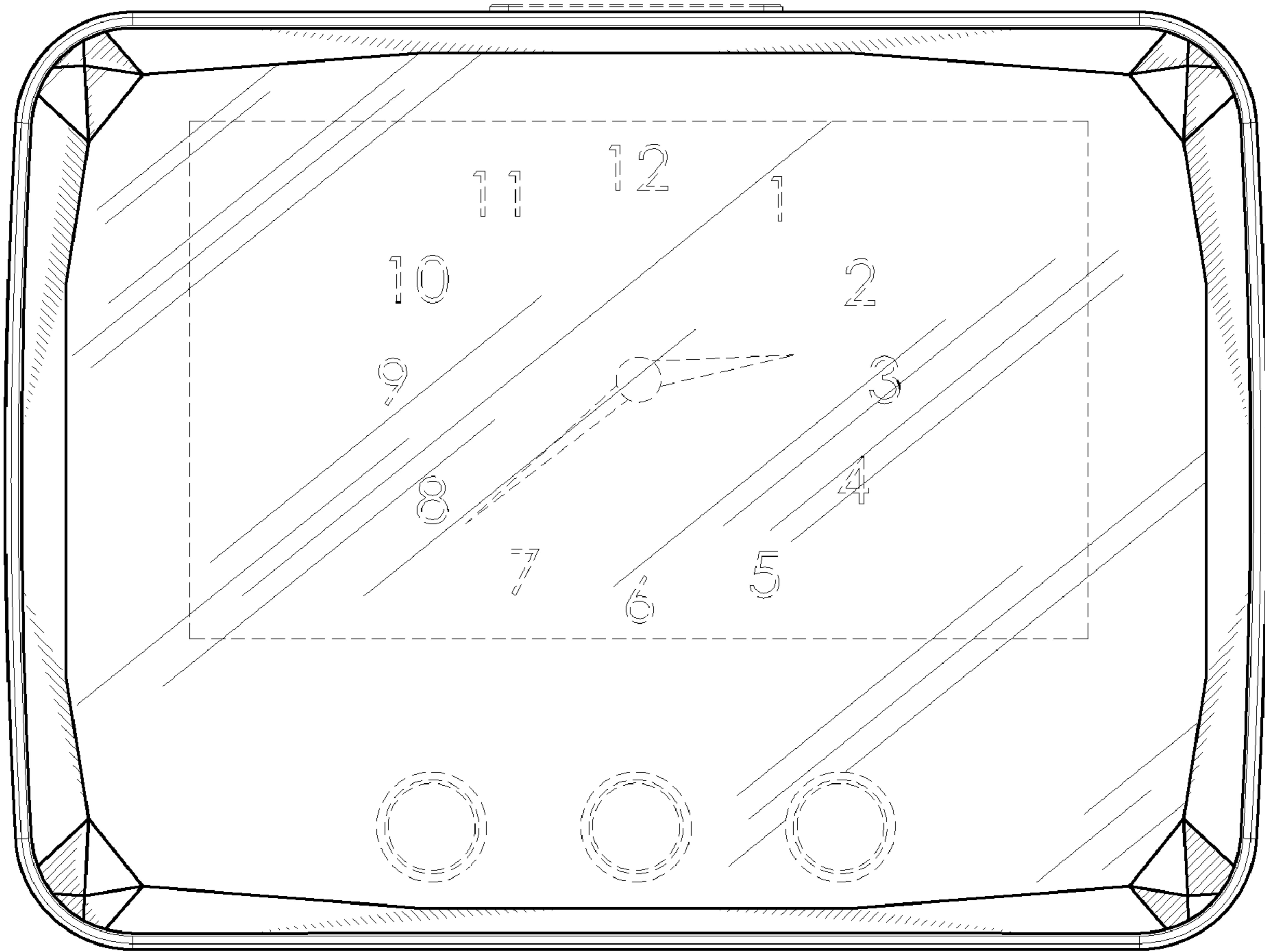


FIG. 2

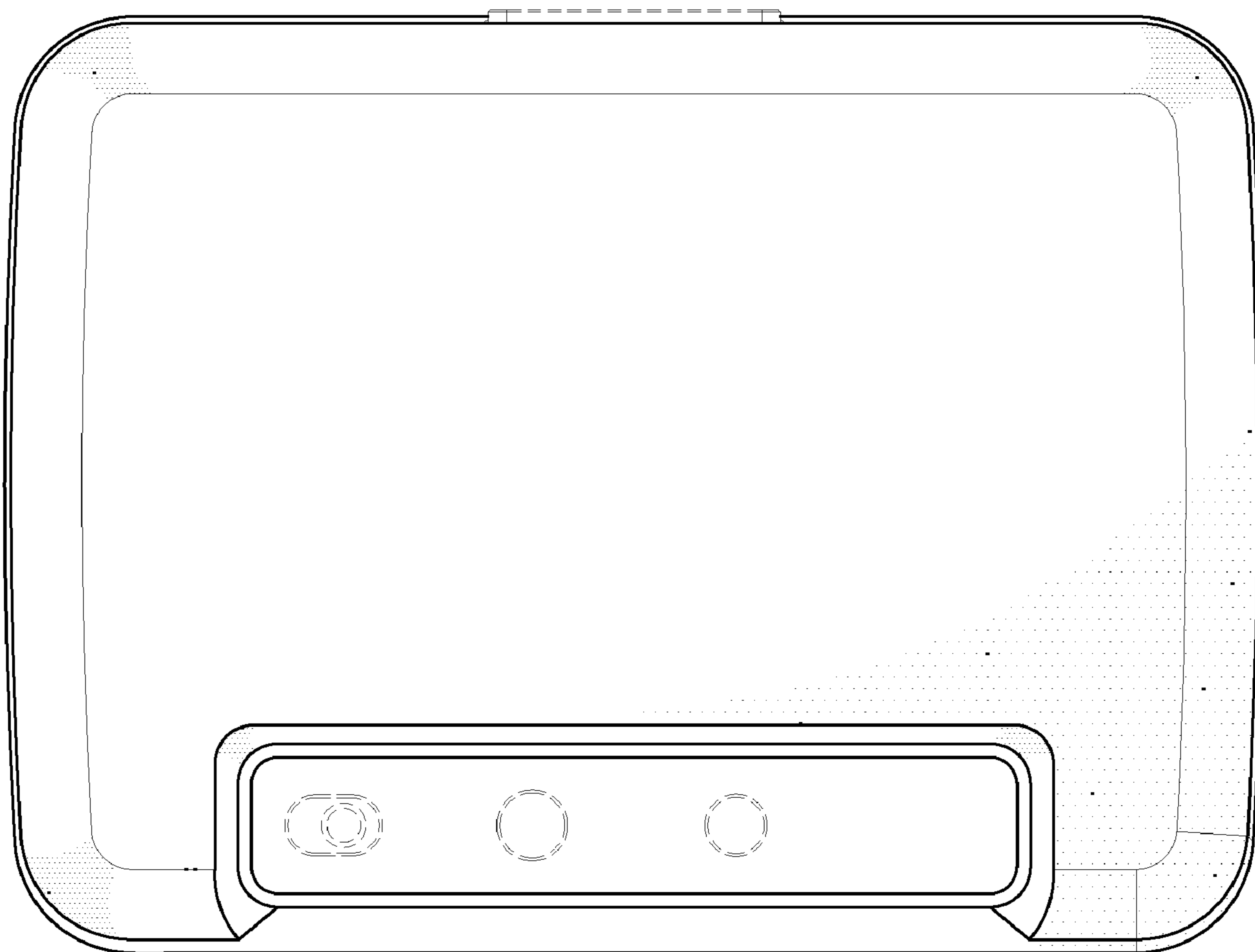


FIG. 3

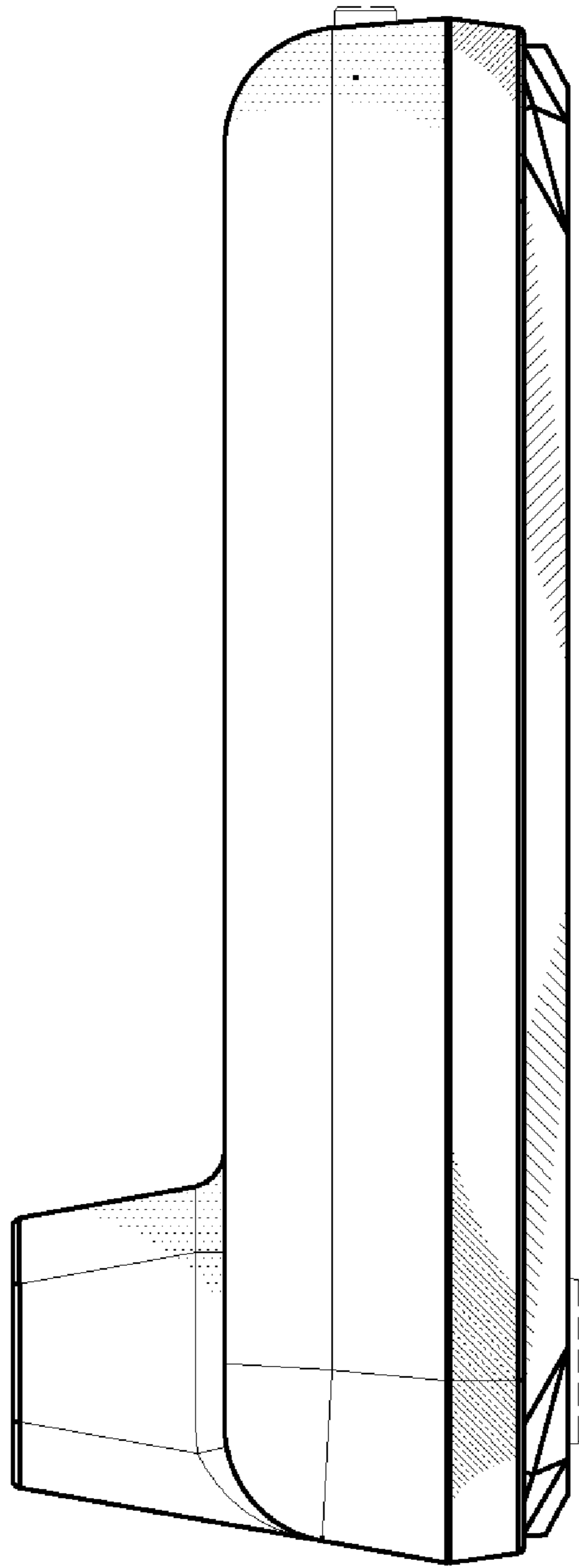


FIG. 4

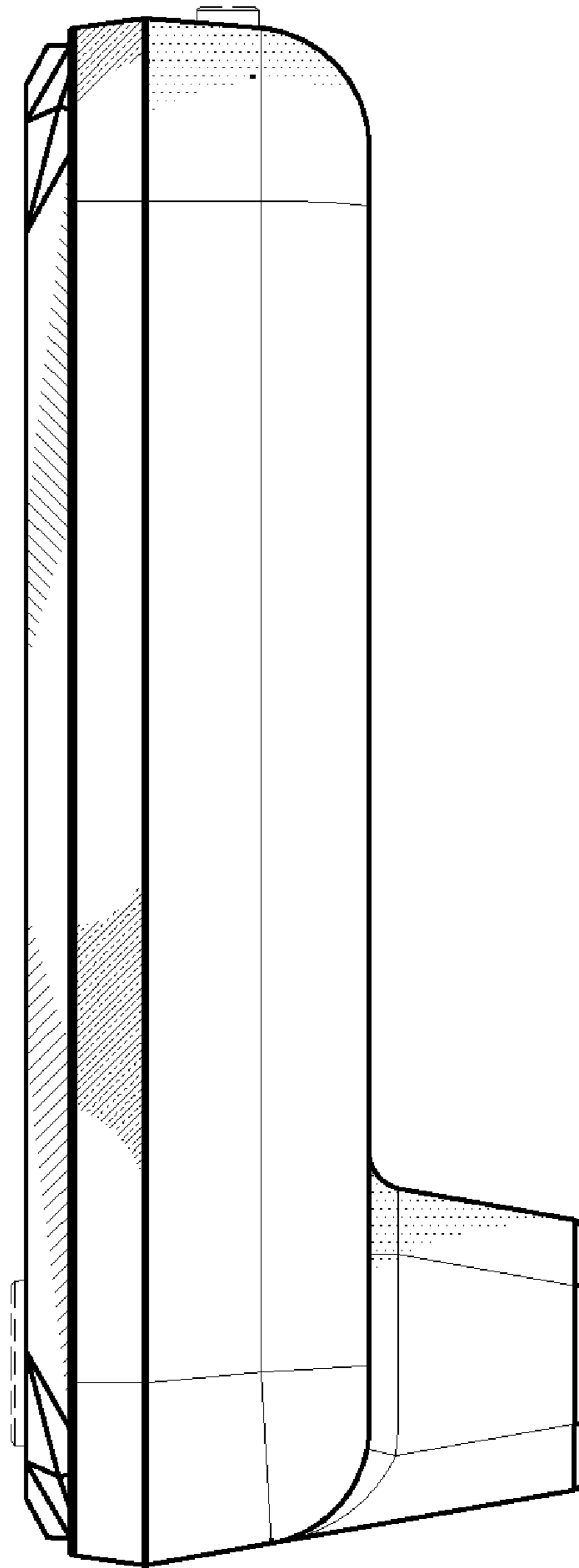


FIG. 5



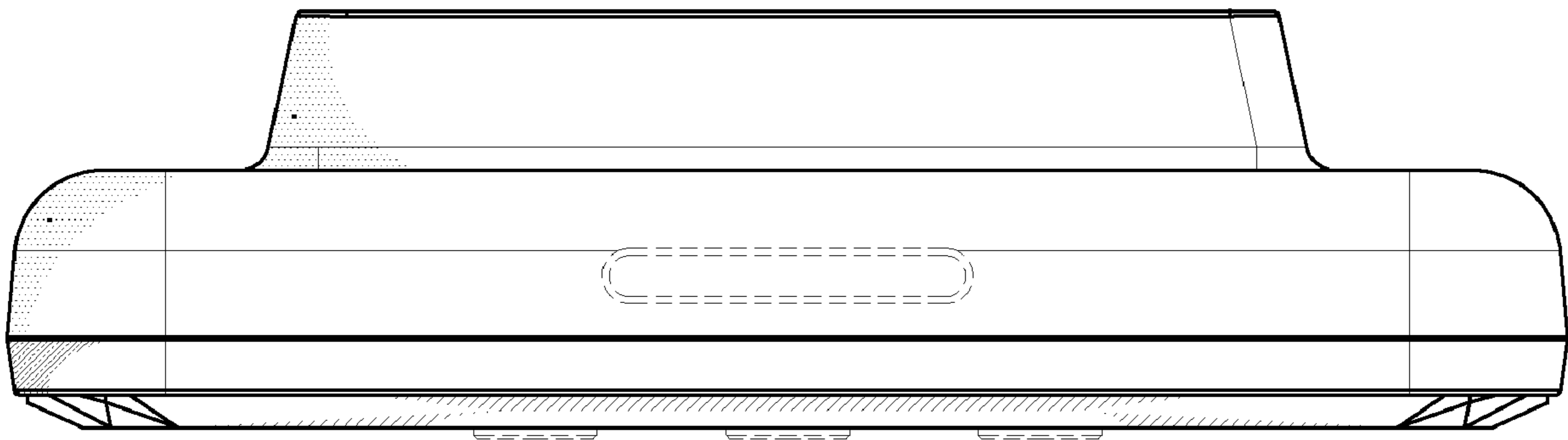


FIG. 6

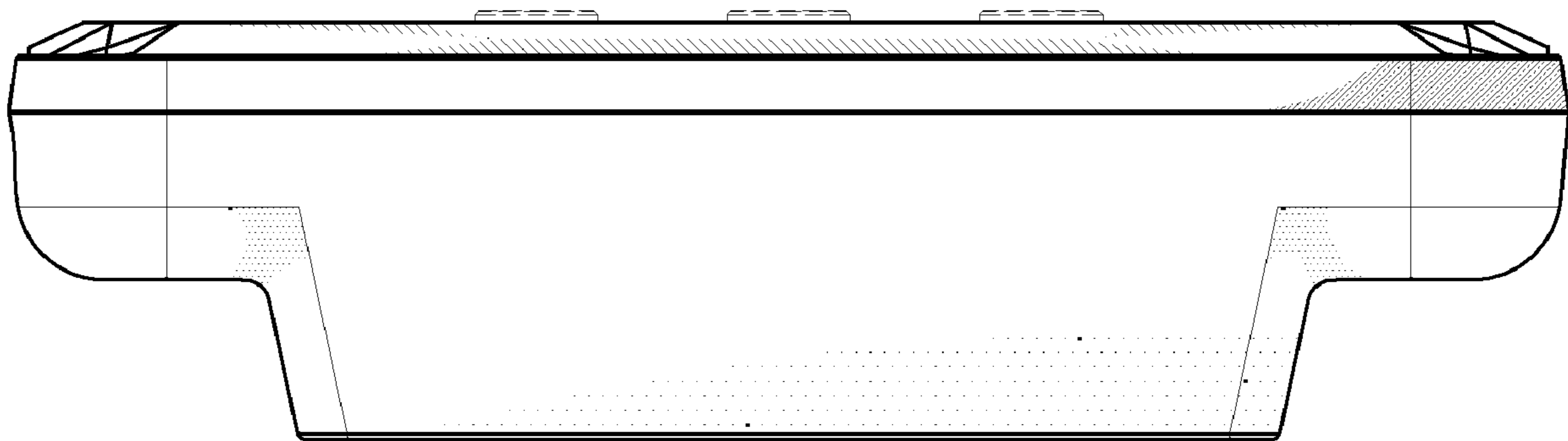


FIG. 7