



US00D613618S

(12) **United States Design Patent**  
**Siu et al.**

(10) **Patent No.:** **US D613,618 S**

(45) **Date of Patent:** **\*\* Apr. 13, 2010**

(54) **FOLDABLE CLOCK**

(75) Inventors: **Yu Siu**, Kowloon (HK); **Wing Kit Lui**,  
Kowloon (HK)

(73) Assignee: **Eric Beare Associates Limited**,  
Kowloon (HK)

(\*\*) Term: **14 Years**

(21) Appl. No.: **29/344,371**

(22) Filed: **Sep. 29, 2009**

(51) **LOC (9) Cl.** ..... **10-01**

(52) **U.S. Cl.** ..... **D10/15; D10/24**

(58) **Field of Classification Search** ..... D10/1-29;  
368/276, 277, 316, 317, 28-30, 82-84, 239-242  
See application file for complete search history.

(56) **References Cited**

**U.S. PATENT DOCUMENTS**

1,765,971	A	*	6/1930	Earl	.....	368/316
1,804,048	A	*	5/1931	Bosch	.....	368/277
1,825,906	A	*	10/1931	Abram	.....	206/751
2,125,294	A	*	8/1938	Lathrop	.....	368/317
2,780,050	A	*	2/1957	Florman	.....	368/277
D257,002	S	*	9/1980	Nesbitt	.....	D10/15
D261,237	S	*	10/1981	Haufe	.....	D10/15
D309,437	S	*	7/1990	Ng	.....	D10/5
D319,394	S	*	8/1991	Mayuzumi	.....	D10/18
D357,420	S	*	4/1995	Wong	.....	D10/18
D386,094	S	*	11/1997	Ventrella	.....	D10/30

D386,419	S	*	11/1997	Wong	.....	D10/1
D413,811	S	*	9/1999	Leung	.....	D10/18
D423,371	S	*	4/2000	Wu	.....	D10/2
D590,273	S	*	4/2009	Petersen	.....	D10/15

\* cited by examiner

*Primary Examiner*—Lucy Lieberman

(57) **CLAIM**

The ornamental design for a foldable clock, as shown and described.

**DESCRIPTION**

FIG. 1 is a front elevational view of a foldable clock showing our new design;

FIG. 2 is a rear elevational view thereof;

FIG. 3 is a left side view thereof;

FIG. 4 is a right side view thereof;

FIG. 5 is a top plan view thereof;

FIG. 6 is a bottom plan view thereof;

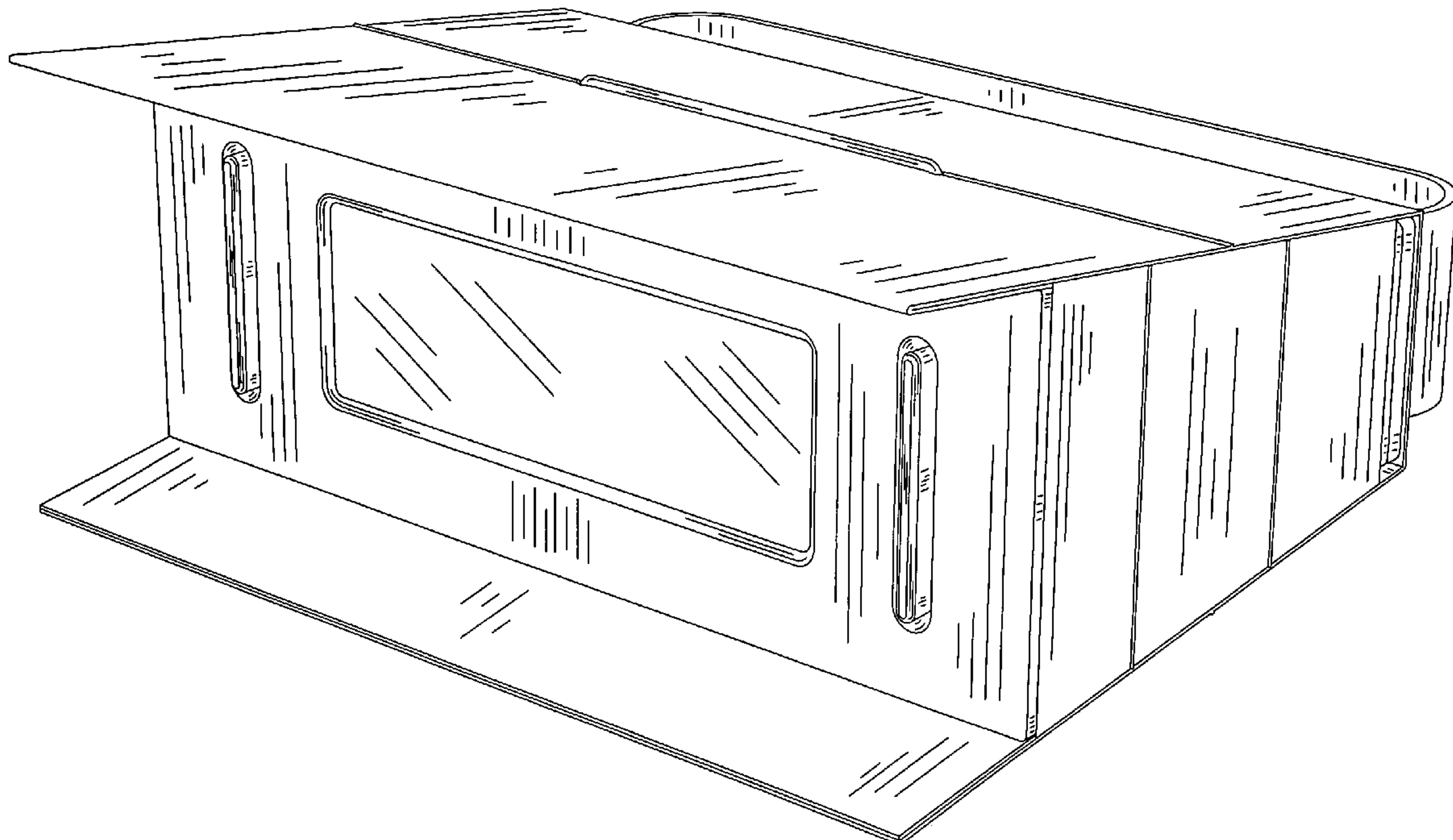
FIG. 7 is a perspective view thereof;

FIG. 8 is another perspective view thereof;

FIG. 9 is a perspective view of the foldable clock being folded and tied up by the strap at the rear side; and,

FIG. 10 is another perspective view of the foldable clock being folded and tied up by the strap at the rear side.

**1 Claim, 8 Drawing Sheets**



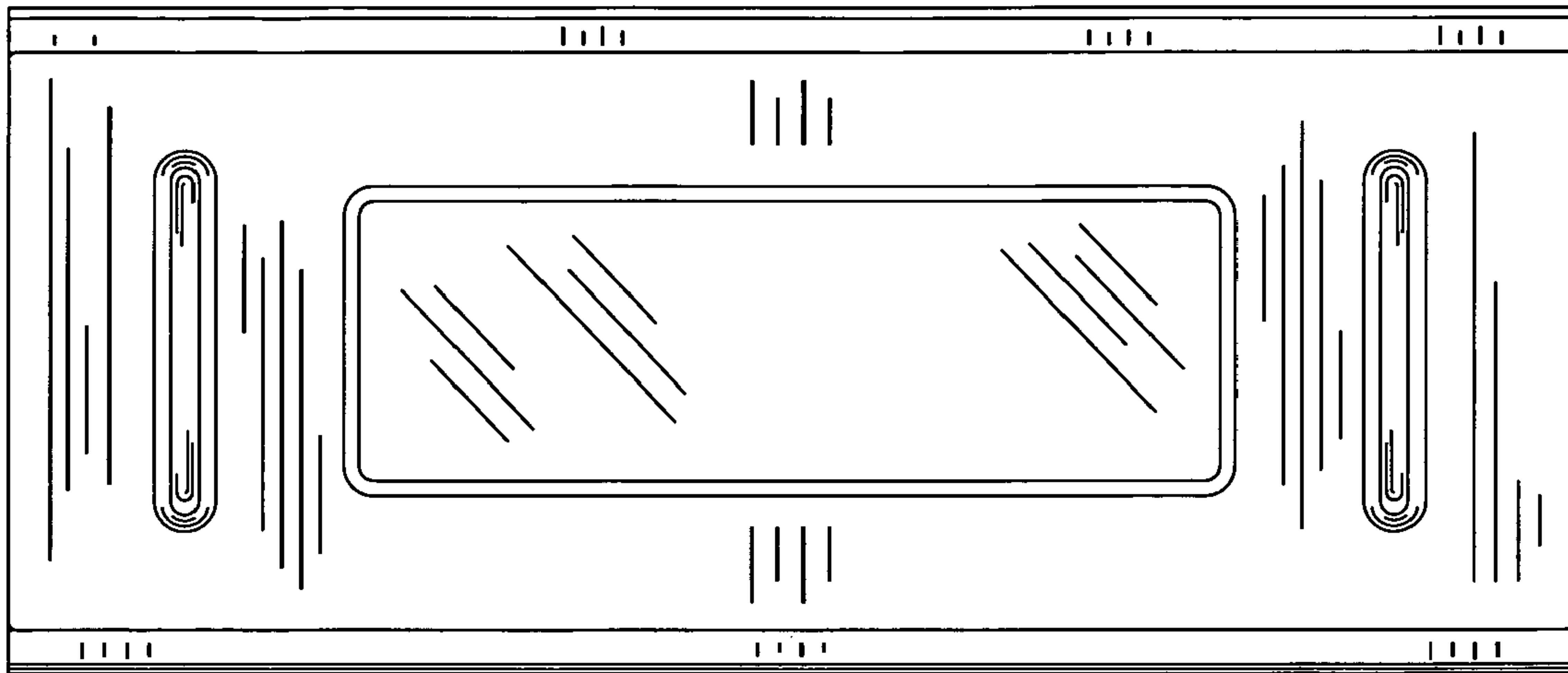


FIG. 1

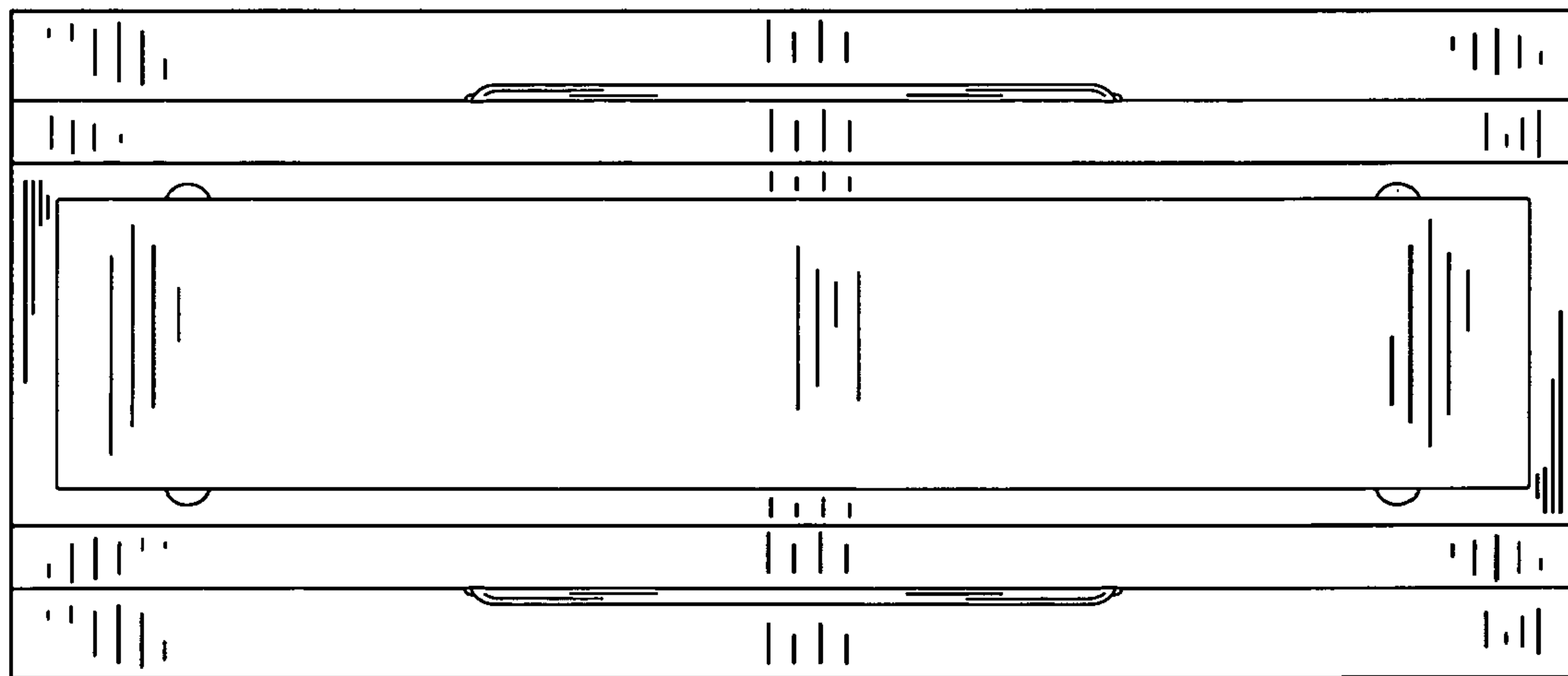


FIG. 2

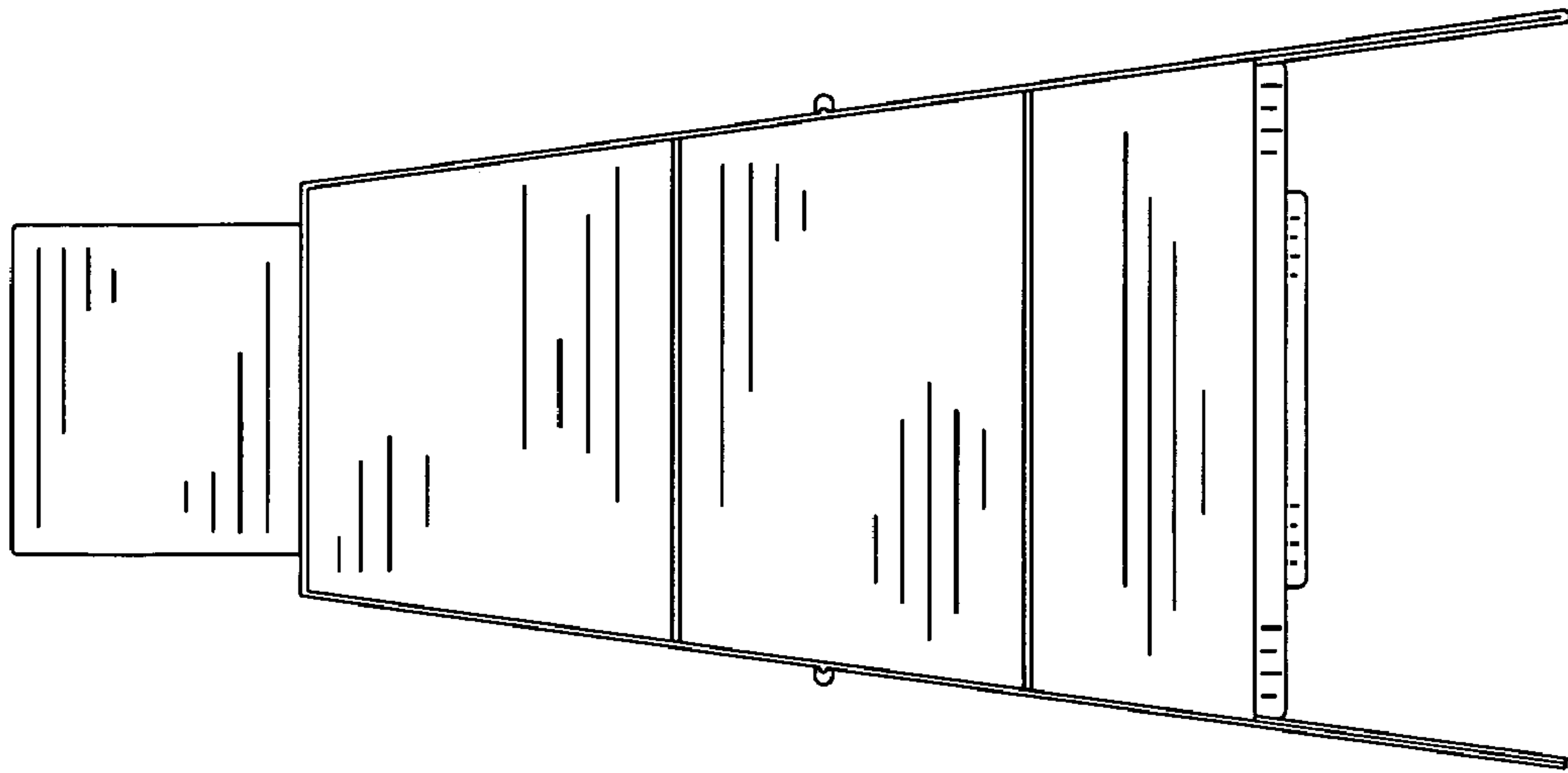


FIG. 3

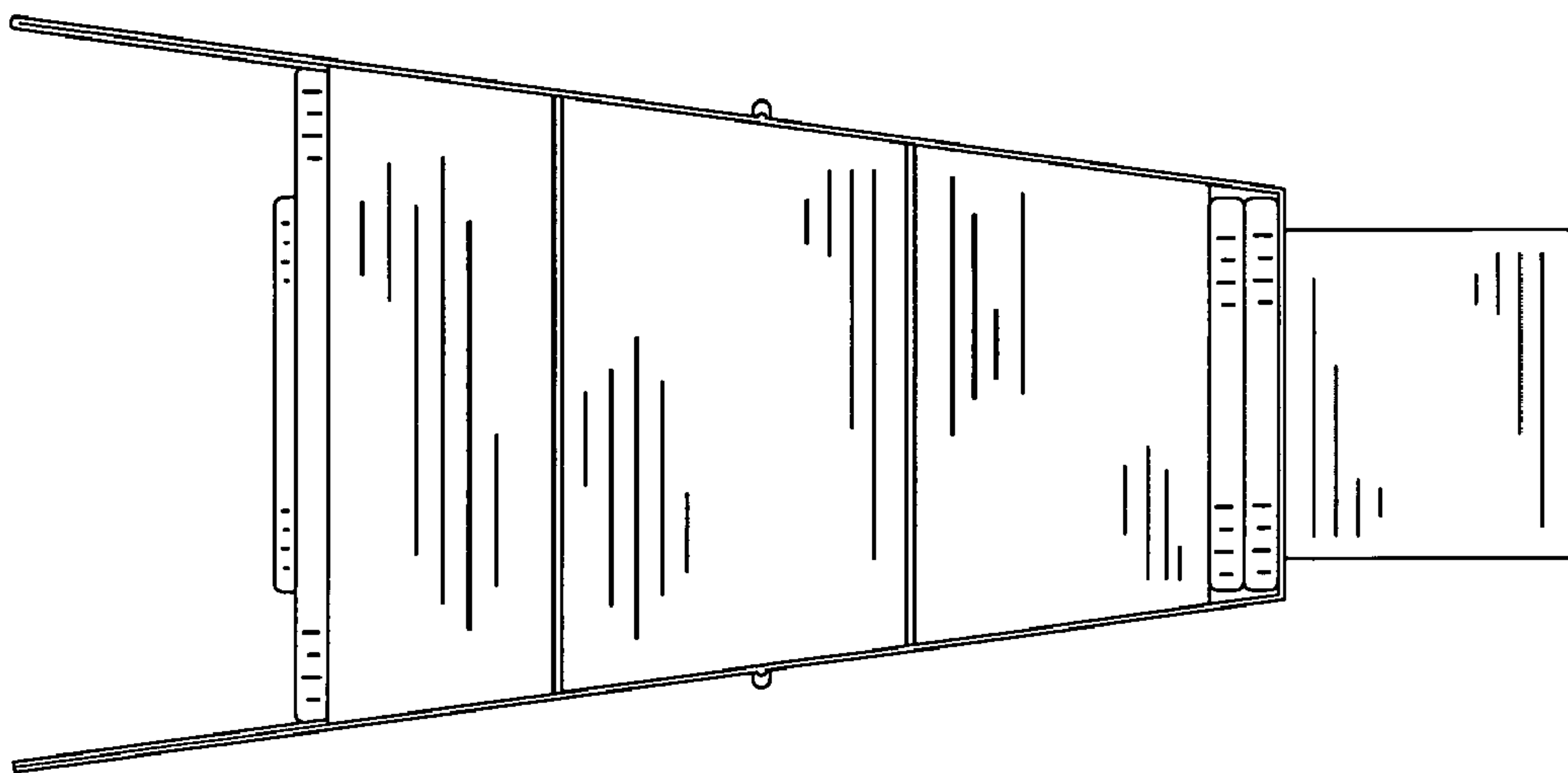


FIG. 4

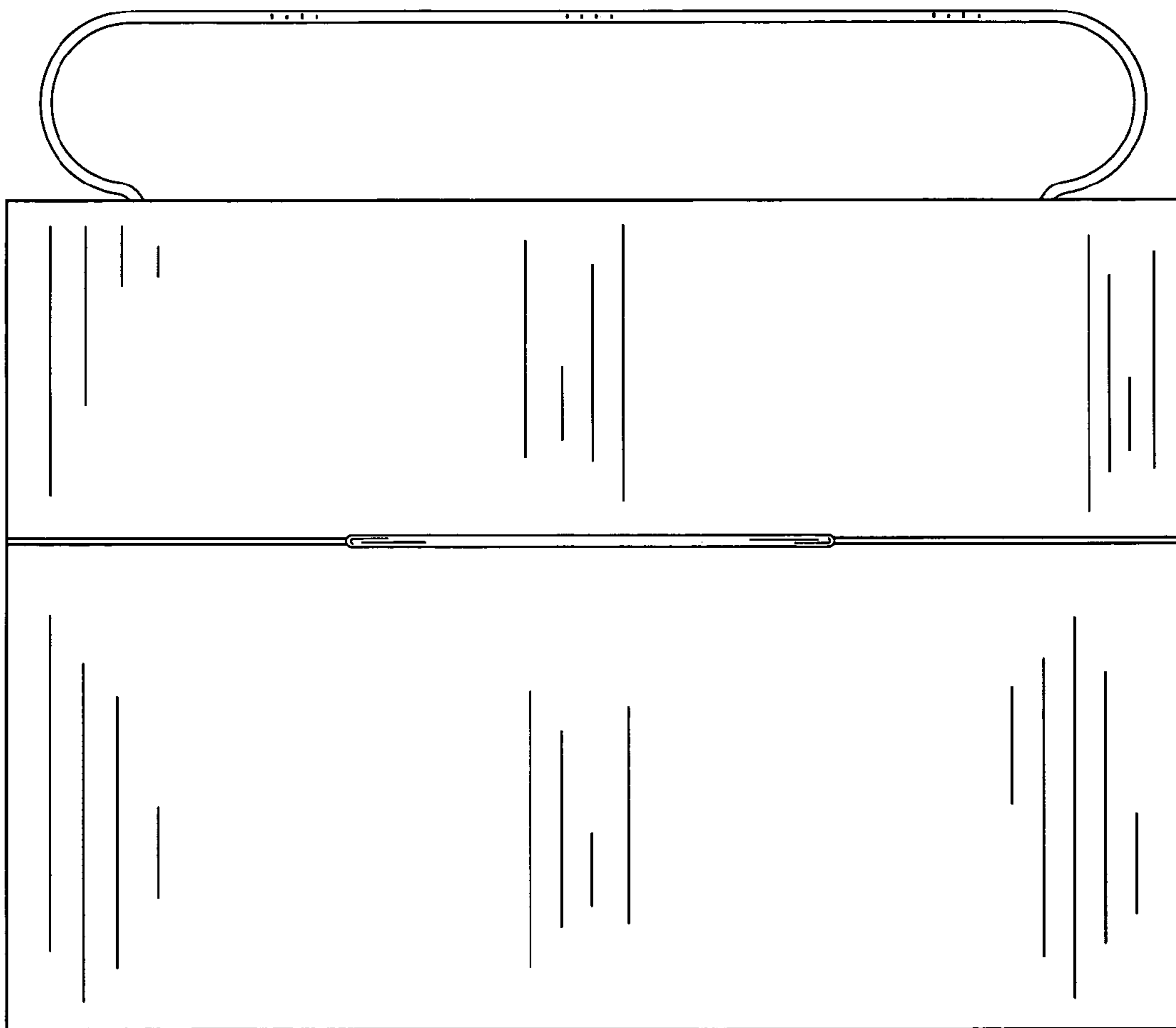


FIG. 5

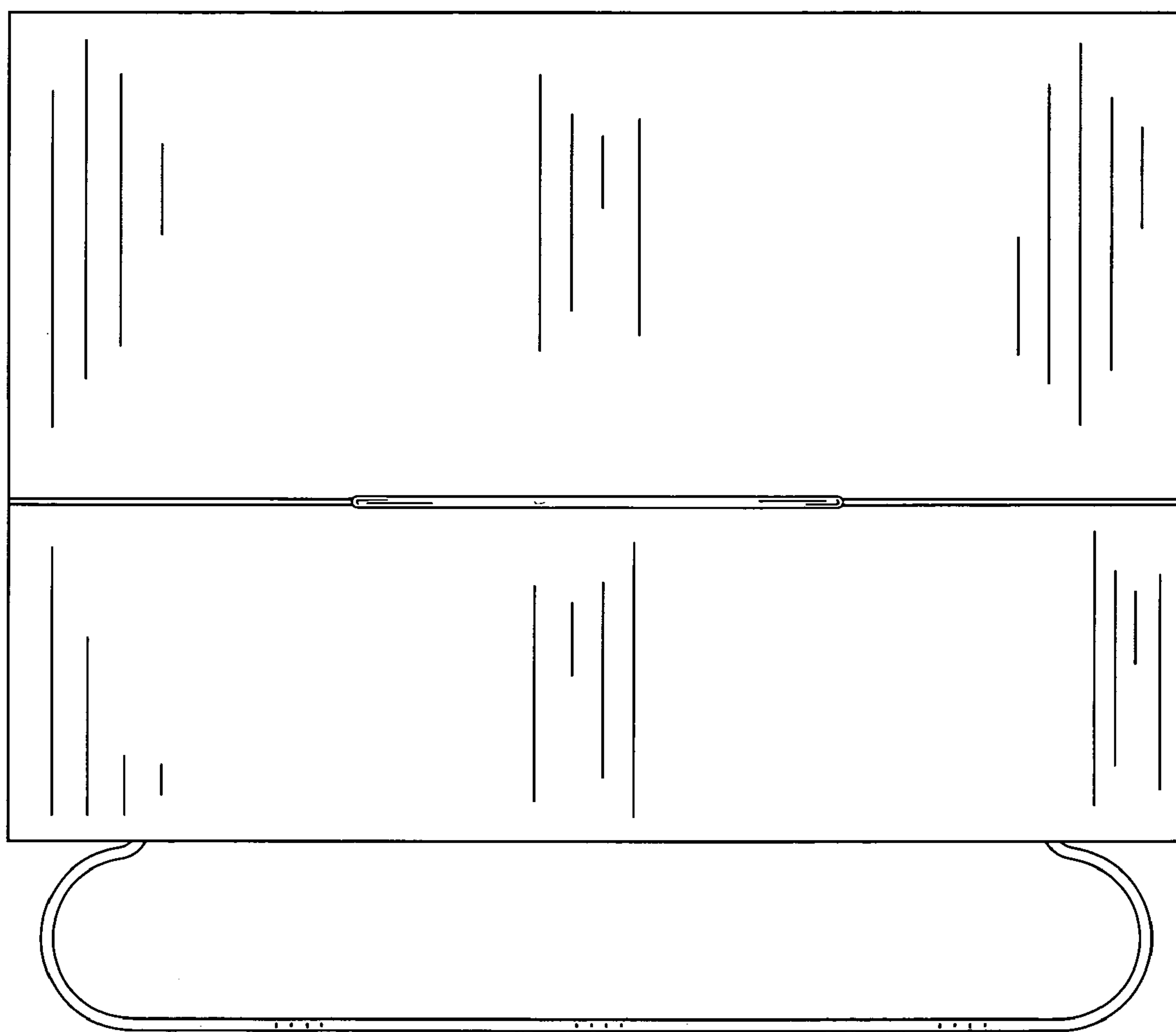


FIG. 6

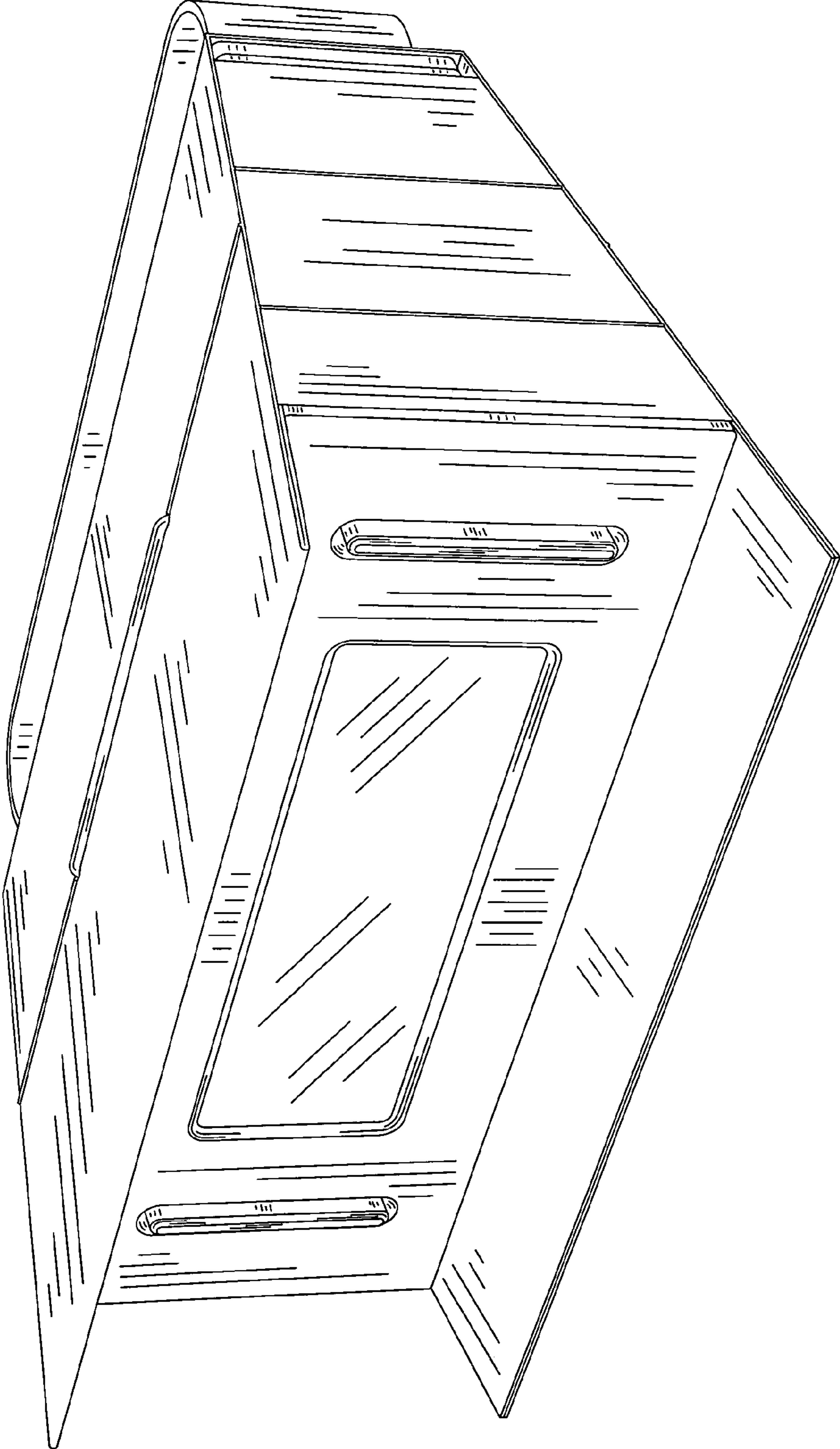


FIG. 7

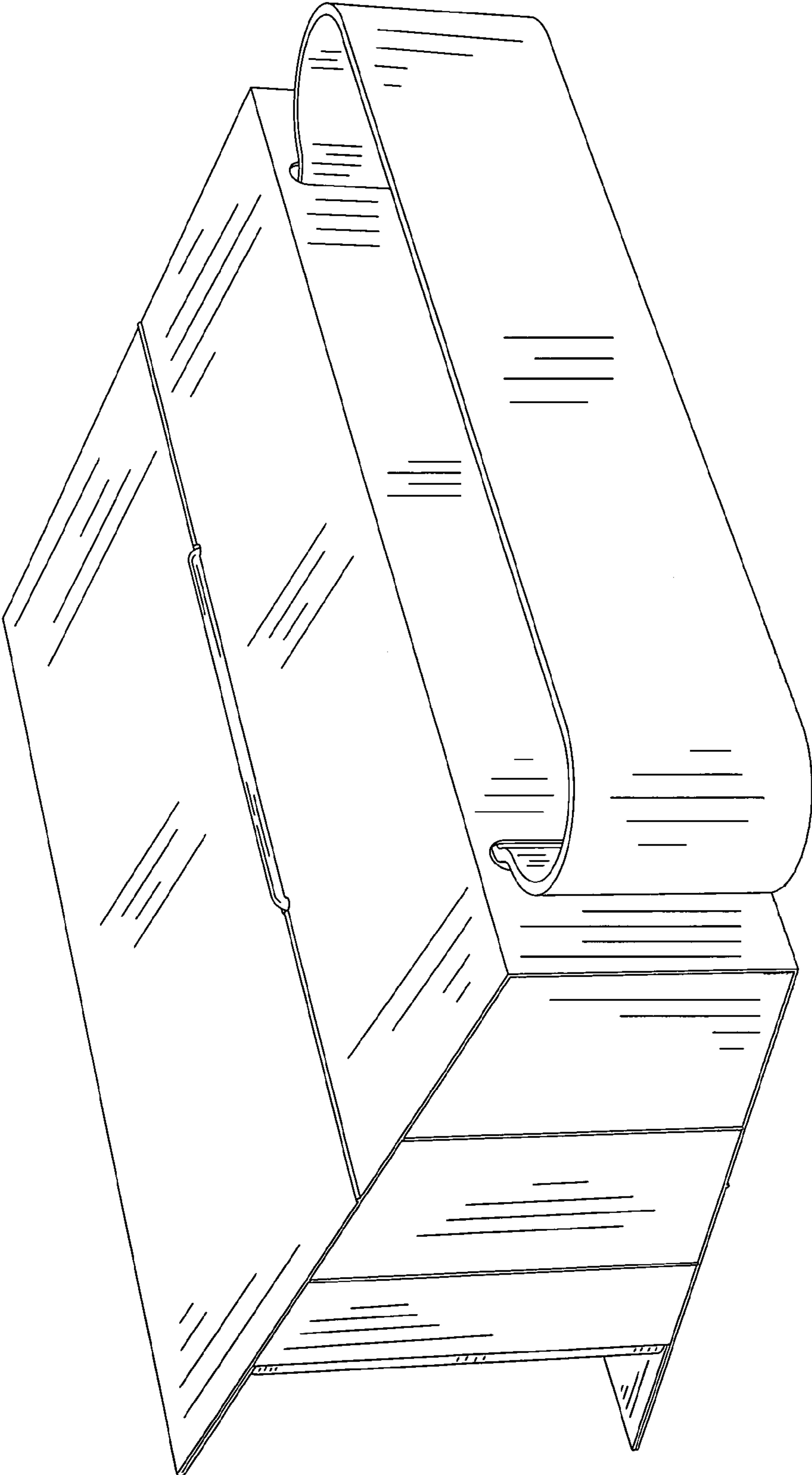


FIG. 8



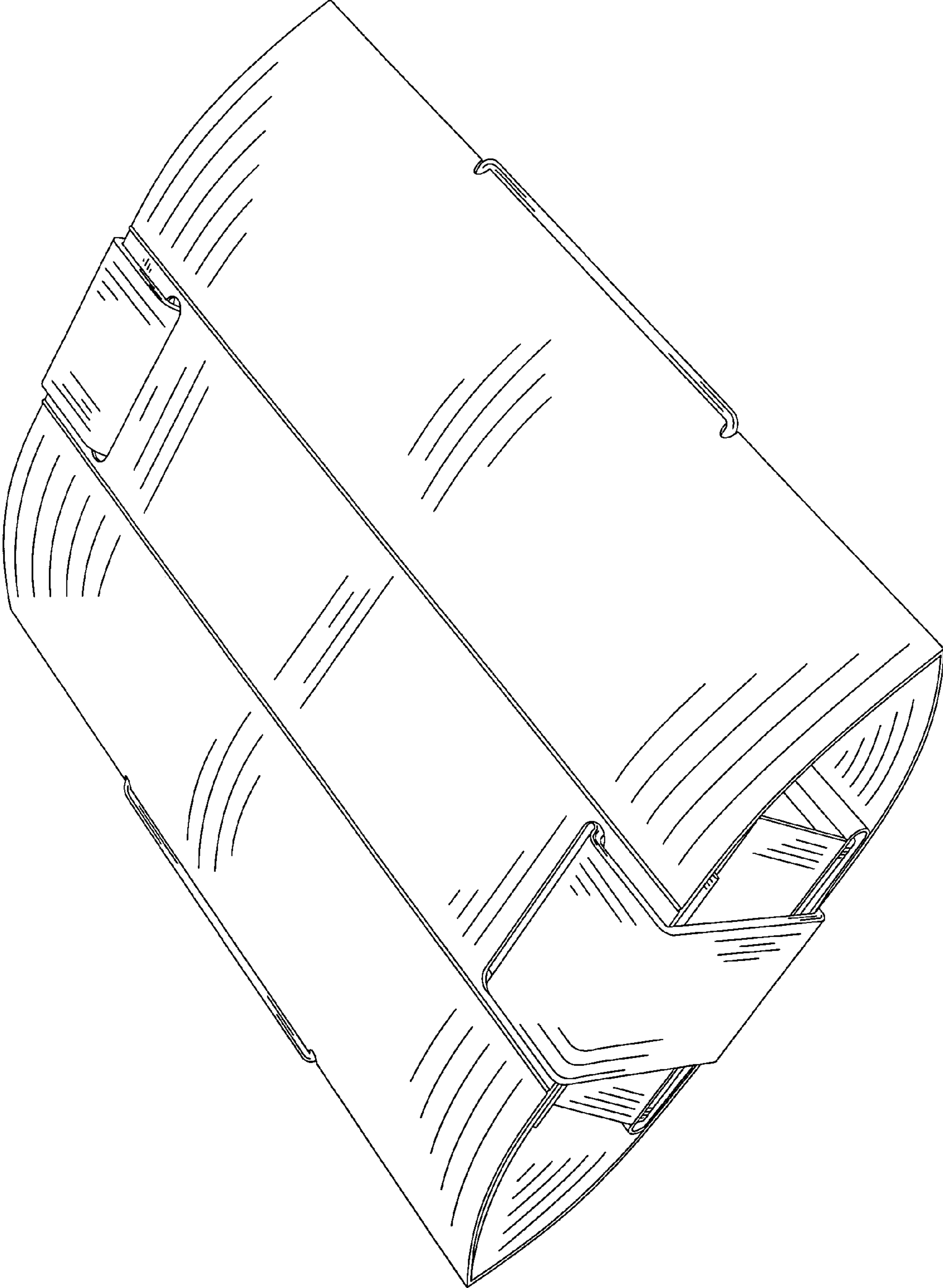


FIG. 9



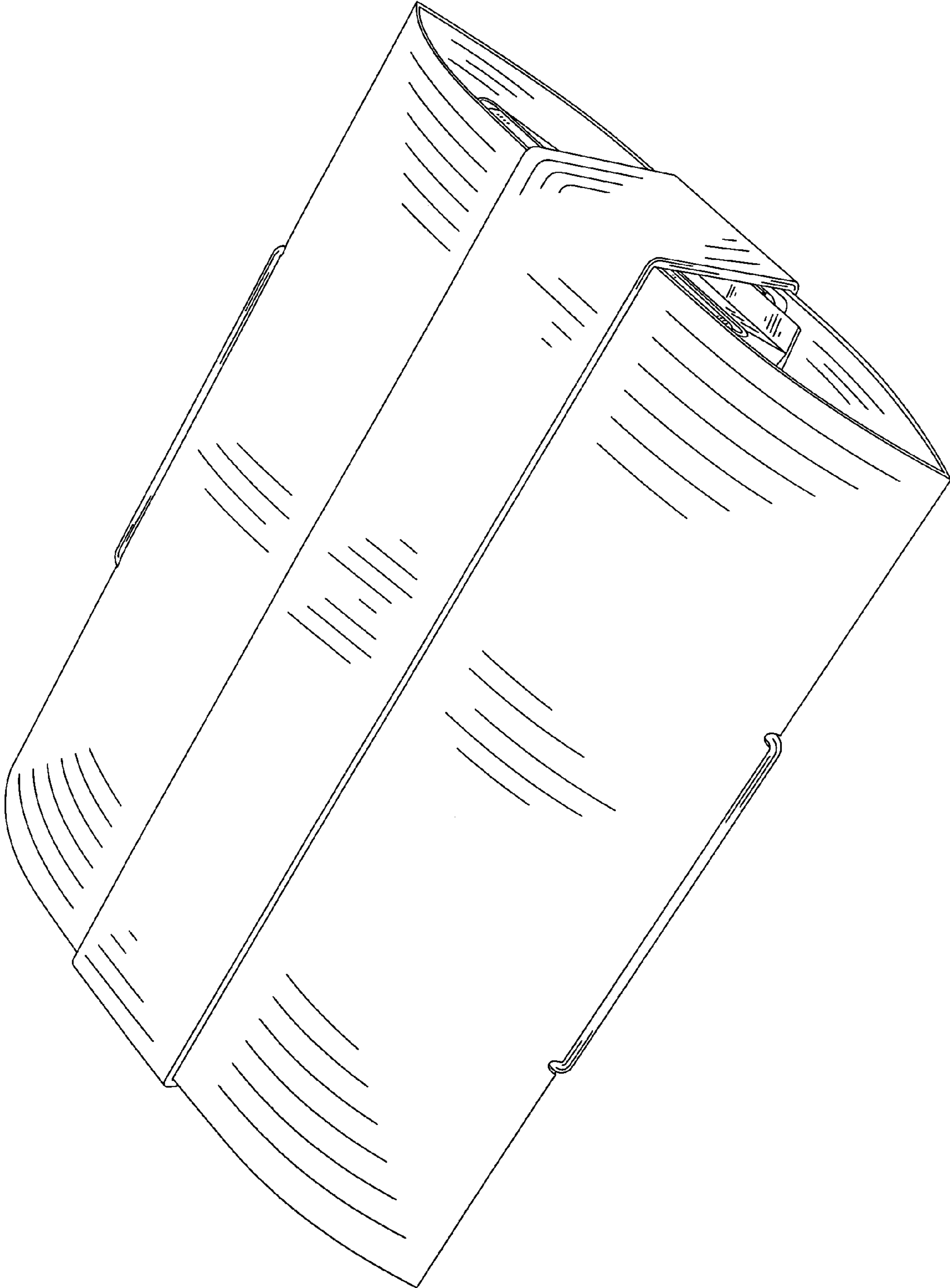


FIG. 10