



US00D613612S

(12) **United States Design Patent**  
**D'Amato**

(10) **Patent No.:** **US D613,612 S**

(45) **Date of Patent:** **\*\* Apr. 13, 2010**

(54) **BEVERAGE CONTAINER**

(75) Inventor: **Gianfranco D'Amato**, Arzano (IT)

(73) Assignee: **Seda S.p.A.**, Arzano (IT)

(\*\*) Term: **14 Years**

(21) Appl. No.: **29/261,279**

(22) Filed: **Jun. 12, 2006**

(30) **Foreign Application Priority Data**

Dec. 14, 2005 (EM) ..... 000447958

(51) **LOC (9) Cl.** ..... **09-01**

(52) **U.S. Cl.** ..... **D9/561; D9/572**

(58) **Field of Classification Search** ..... D9/516,  
D9/517, 519, 520, 521, 544, 545, 546, 549,  
D9/551, 553, 559, 560, 561, 564, 566, 571,  
D9/572, 573, 574, 575; 215/381-385, 396,  
215/398

See application file for complete search history.

(56) **References Cited**

**U.S. PATENT DOCUMENTS**

D4,754 S *	4/1871	Kirchner	.....	D9/561
D4,755 S *	4/1871	Kirchner	.....	D9/559
D4,756 S *	4/1871	Kirchner	.....	D9/559
D4,758 S *	4/1871	Kirchner	.....	D9/559
D4,759 S *	4/1871	Kirchner	.....	D9/559
D6,208 S *	10/1872	Thomson	.....	D9/573
D25,856 S *	8/1896	Helmer	.....	D7/397
D42,500 S *	5/1912	Claussen et al.	.....	D7/526
D71,955 S *	2/1927	Coty	.....	D7/335
D145,212 S *	7/1946	Havens	.....	D9/528
D515,437 S *	2/2006	Lopez-Garcia	.....	D9/737
D530,617 S *	10/2006	Little et al.	.....	D9/543
D542,099 S *	5/2007	George et al.	.....	D7/615
D543,466 S *	5/2007	Little et al.	.....	D9/543
D543,467 S *	5/2007	Dorn	.....	D9/543
D543,853 S *	6/2007	Little et al.	.....	D9/523
D560,440 S *	1/2008	George et al.	.....	D7/615

\* cited by examiner

*Primary Examiner*—Stella M Reid

*Assistant Examiner*—Elizabeth J Oswecki

(74) *Attorney, Agent, or Firm*—Darby & Darby P.C.

(57) **CLAIM**

I claim the ornamental design for a beverage container, as shown and described.

**DESCRIPTION**

FIG. 1 is a front elevational view of a first embodiment of a beverage container showing my new design;

FIG. 2 is a perspective view thereof;

FIG. 3 is another perspective view thereof;

FIG. 4 is a top plan view thereof;

FIG. 5 is a bottom plan view thereof;

FIG. 6 is a front elevational view of a second embodiment of a beverage container showing my new design;

FIG. 7 is a perspective view thereof;

FIG. 8 is another perspective view thereof;

FIG. 9 is a top plan view thereof;

FIG. 10 is a bottom plan view thereof;

FIG. 11 is a front elevational view of a third embodiment of a beverage container showing my new design;

FIG. 12 is a perspective view thereof;

FIG. 13 is another perspective view thereof;

FIG. 14 is a top plan view thereof;

FIG. 15 is a bottom plan view thereof;

FIG. 16 is a front elevational view of a fourth embodiment of a beverage container showing my new design;

FIG. 17 is a perspective view thereof;

FIG. 18 is another perspective view thereof;

FIG. 19 is a top plan view thereof; and,

FIG. 20 is a bottom plan view thereof.

**1 Claim, 8 Drawing Sheets**

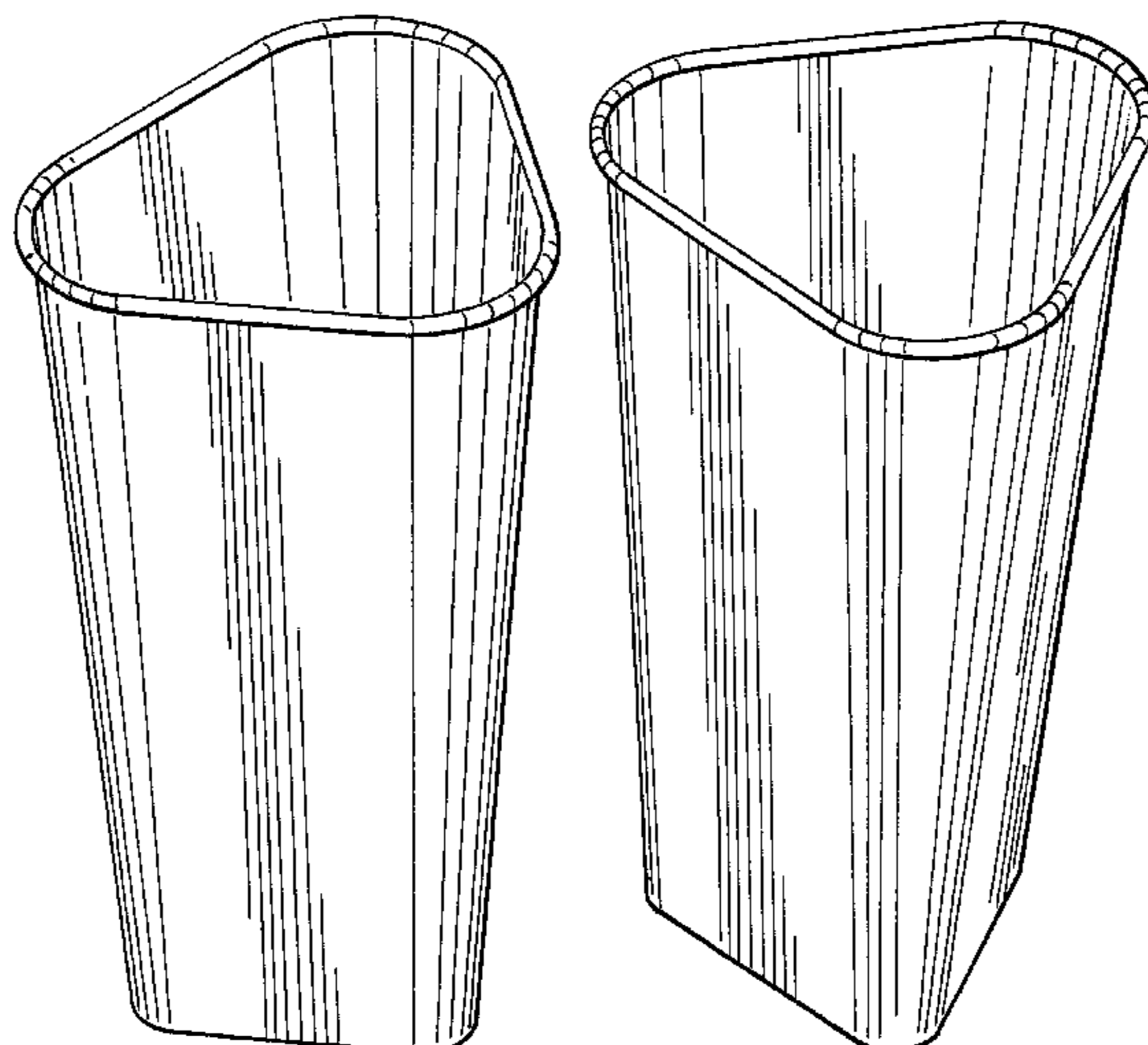


FIG. 1

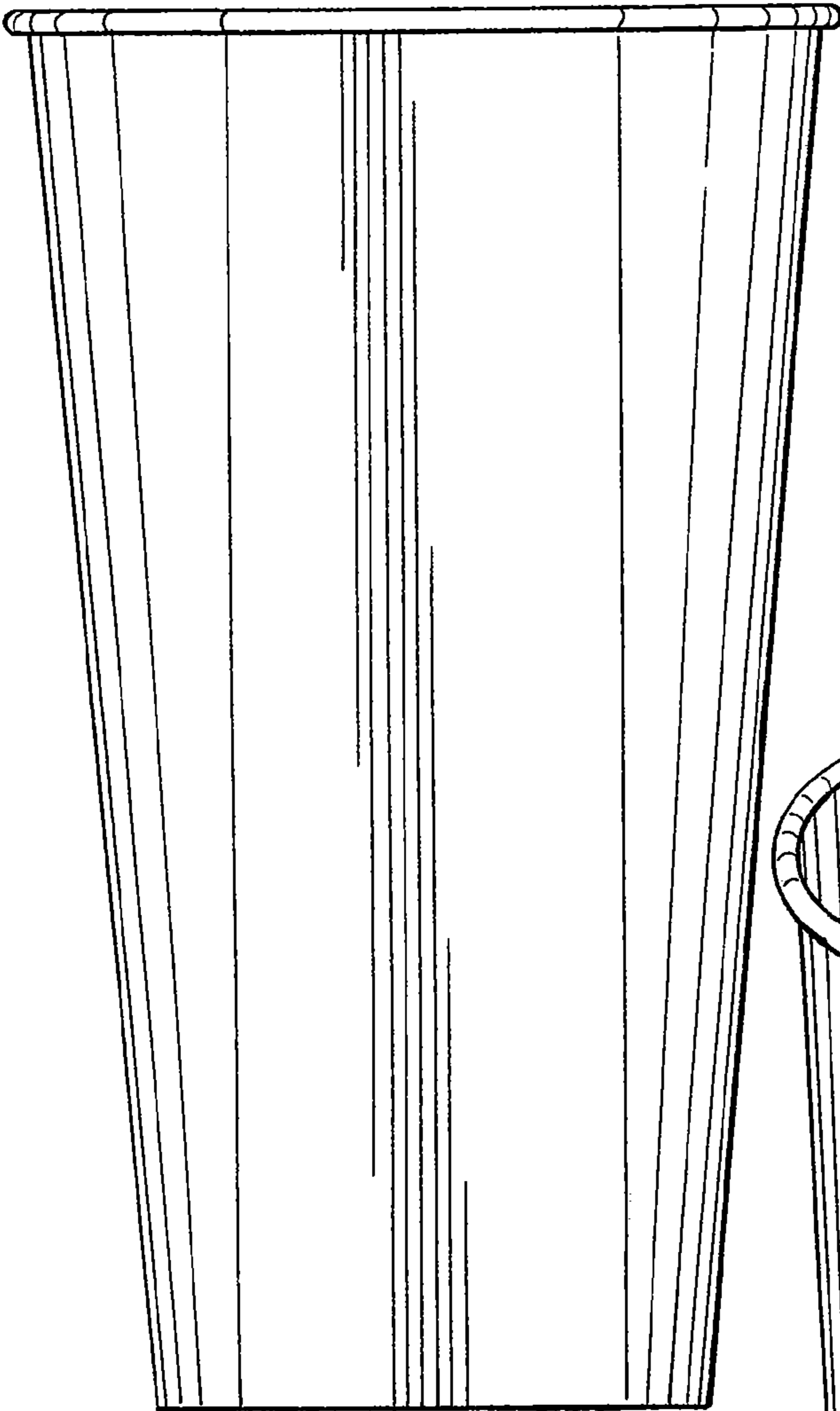


FIG. 2

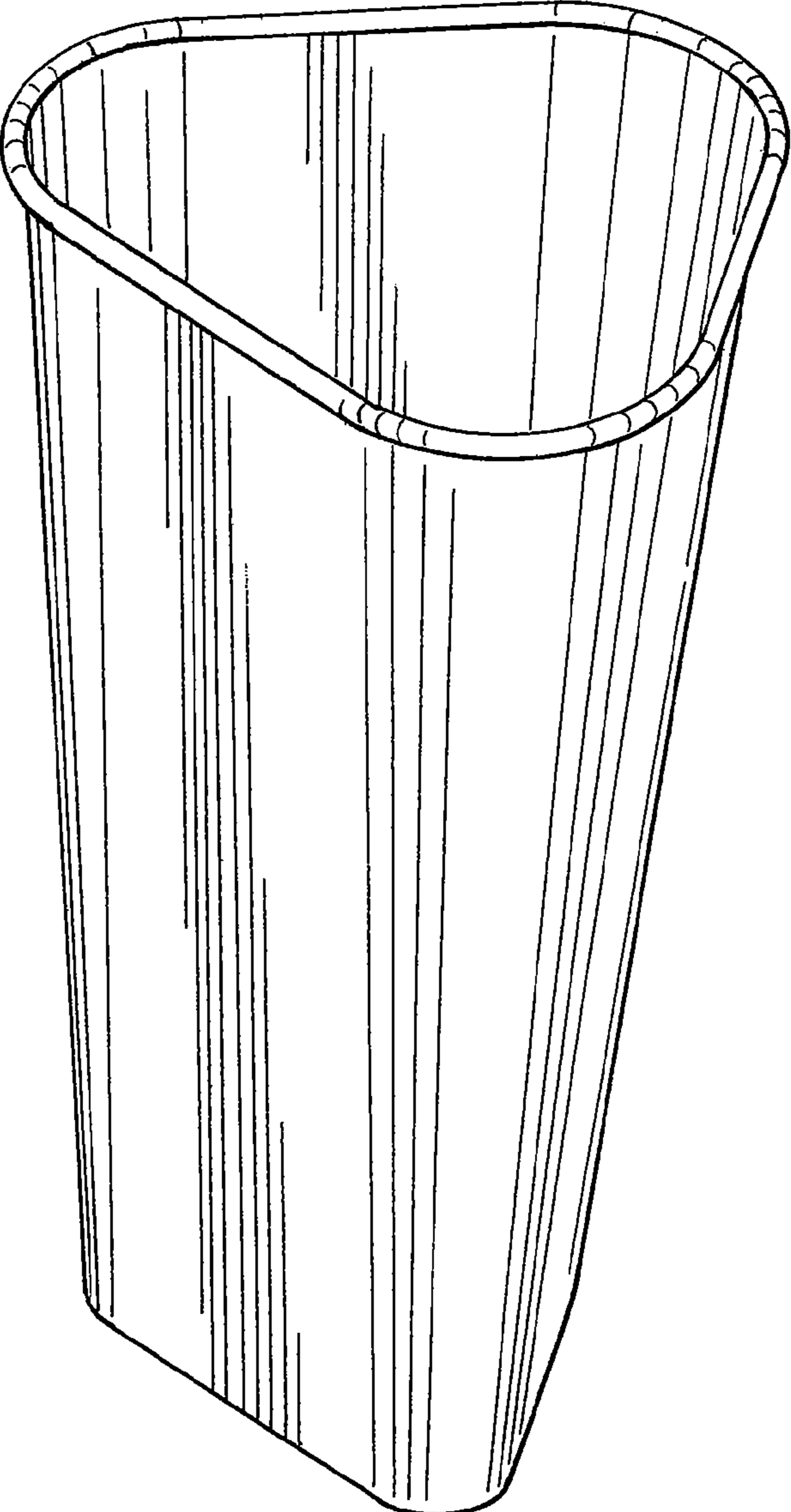


FIG. 3

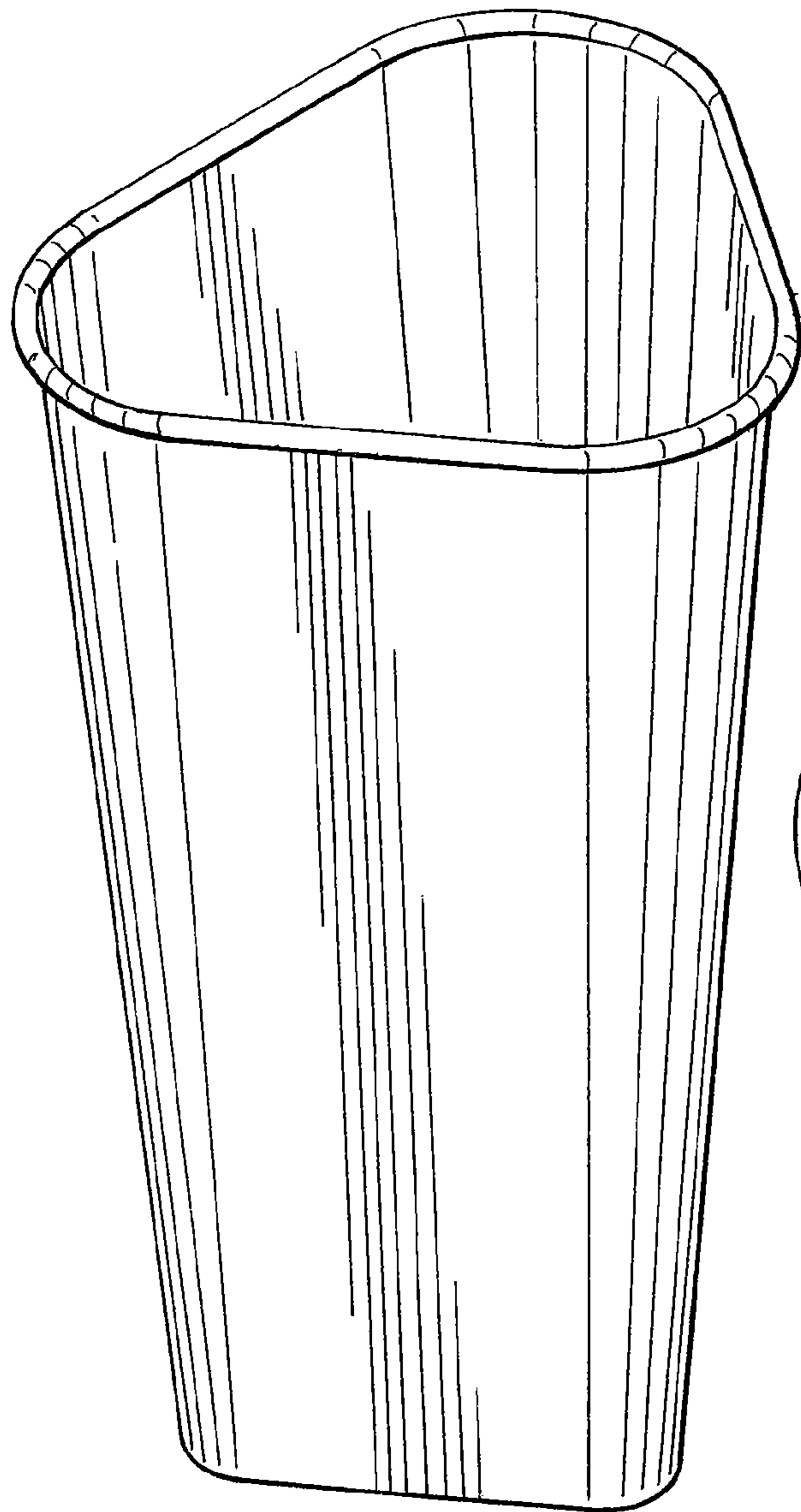


FIG. 4

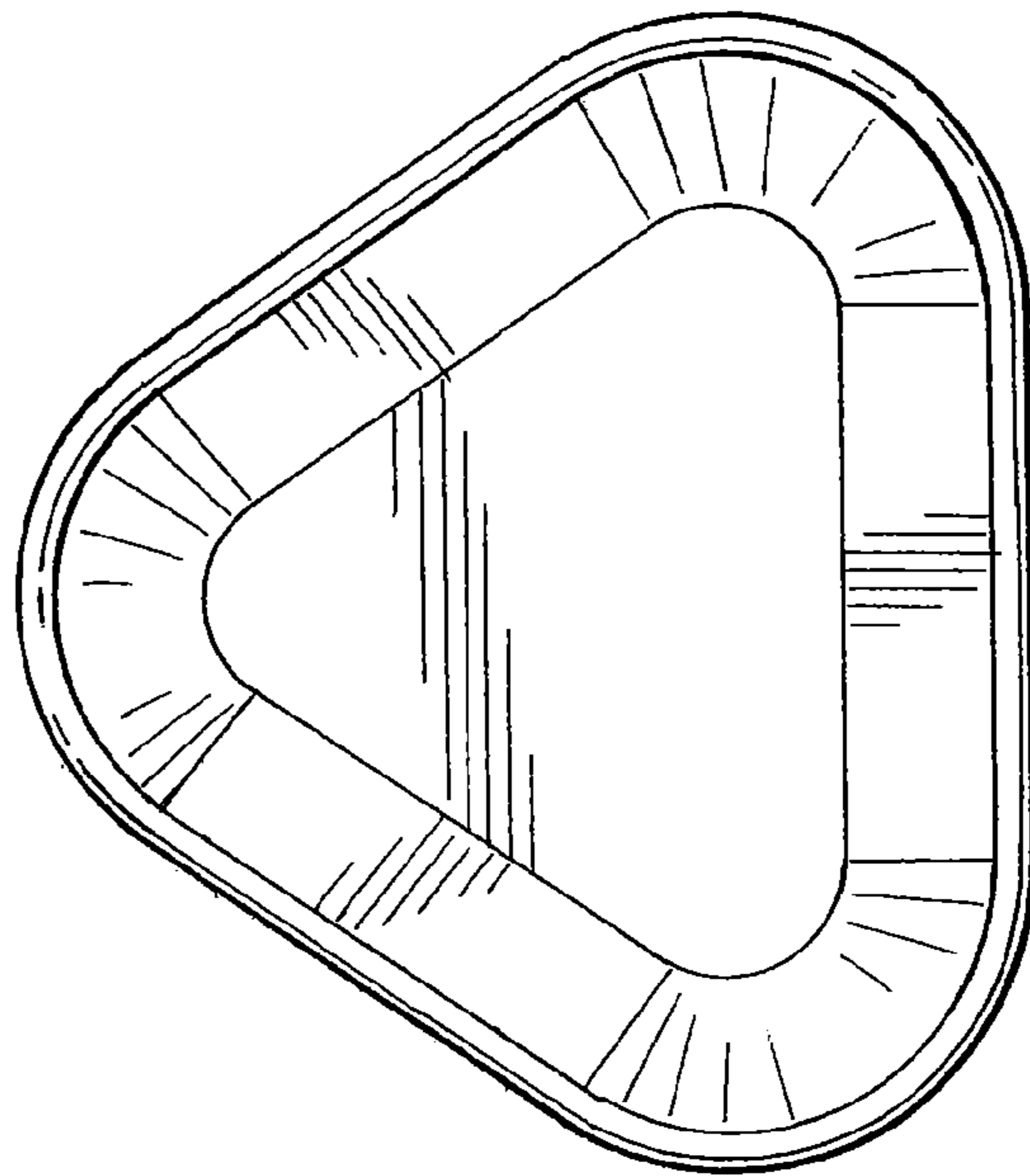
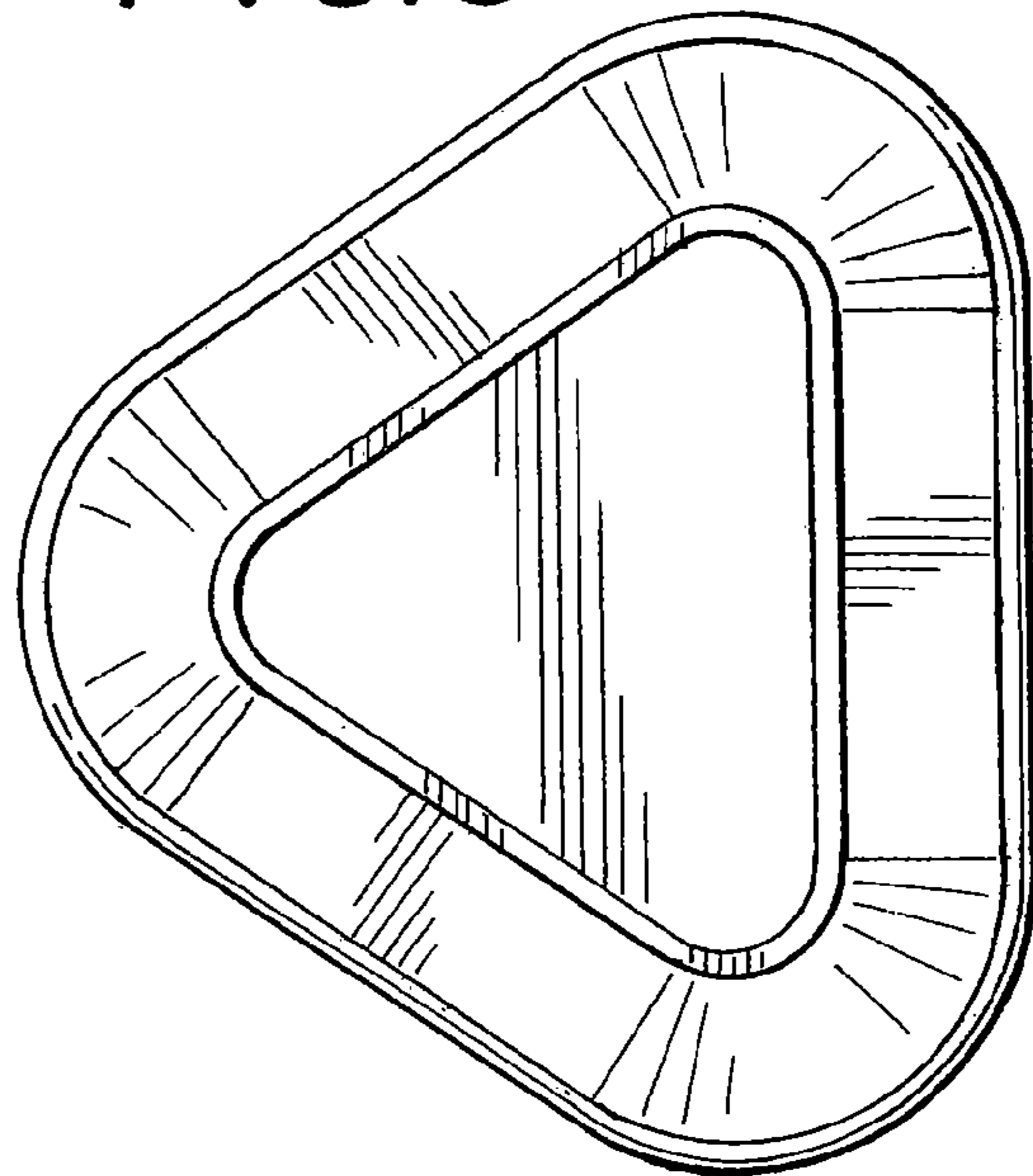


FIG. 5



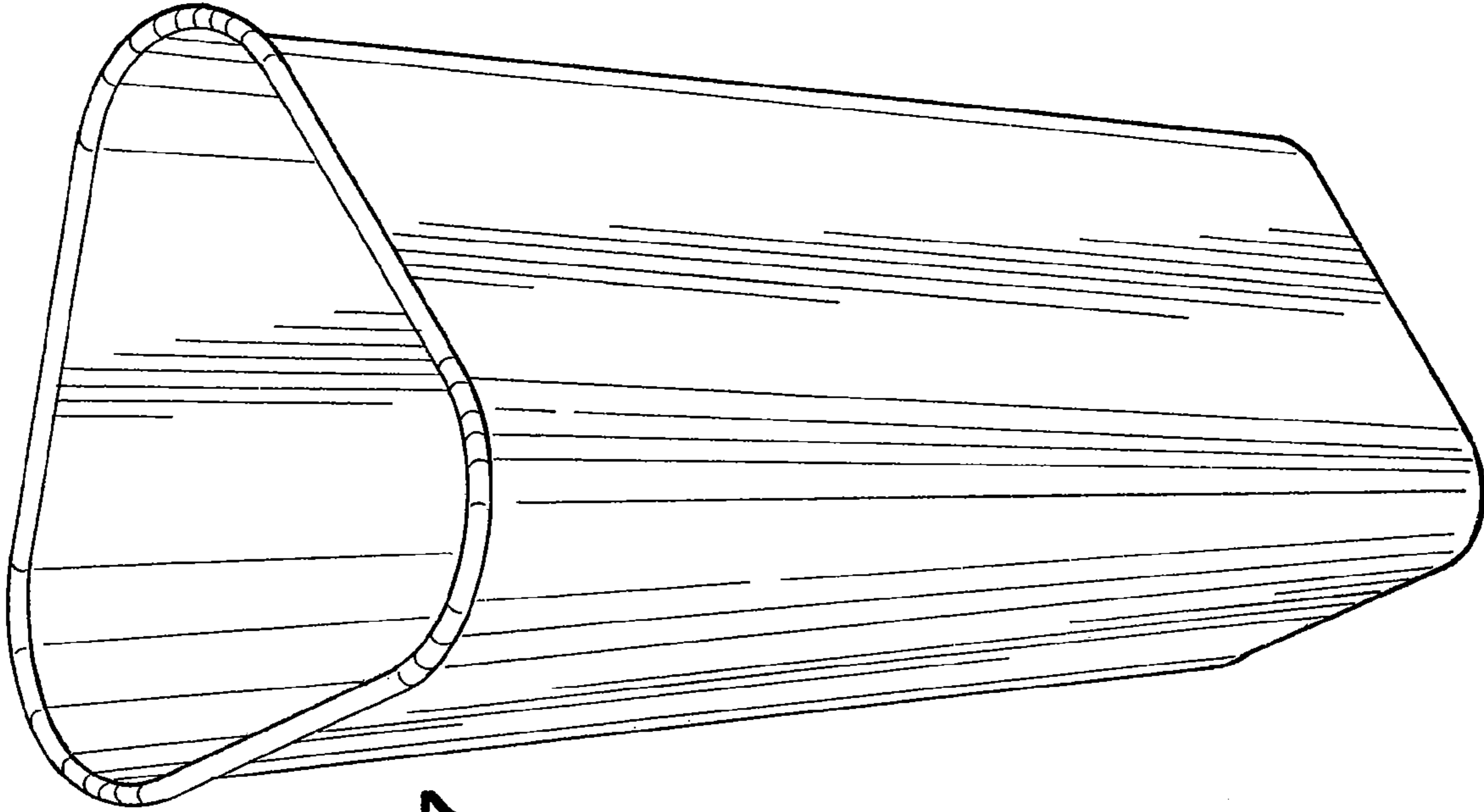


FIG. 7

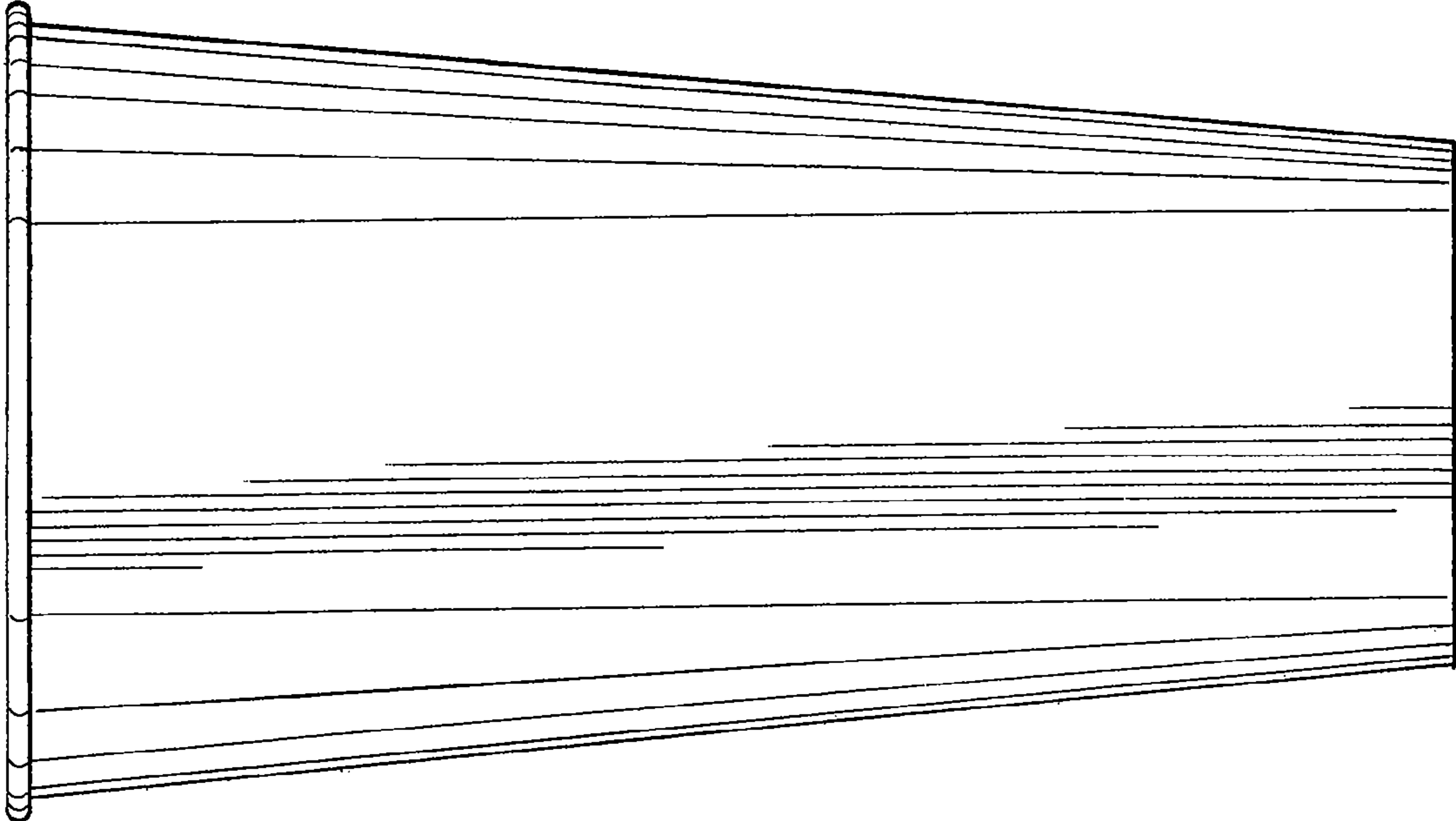


FIG. 6

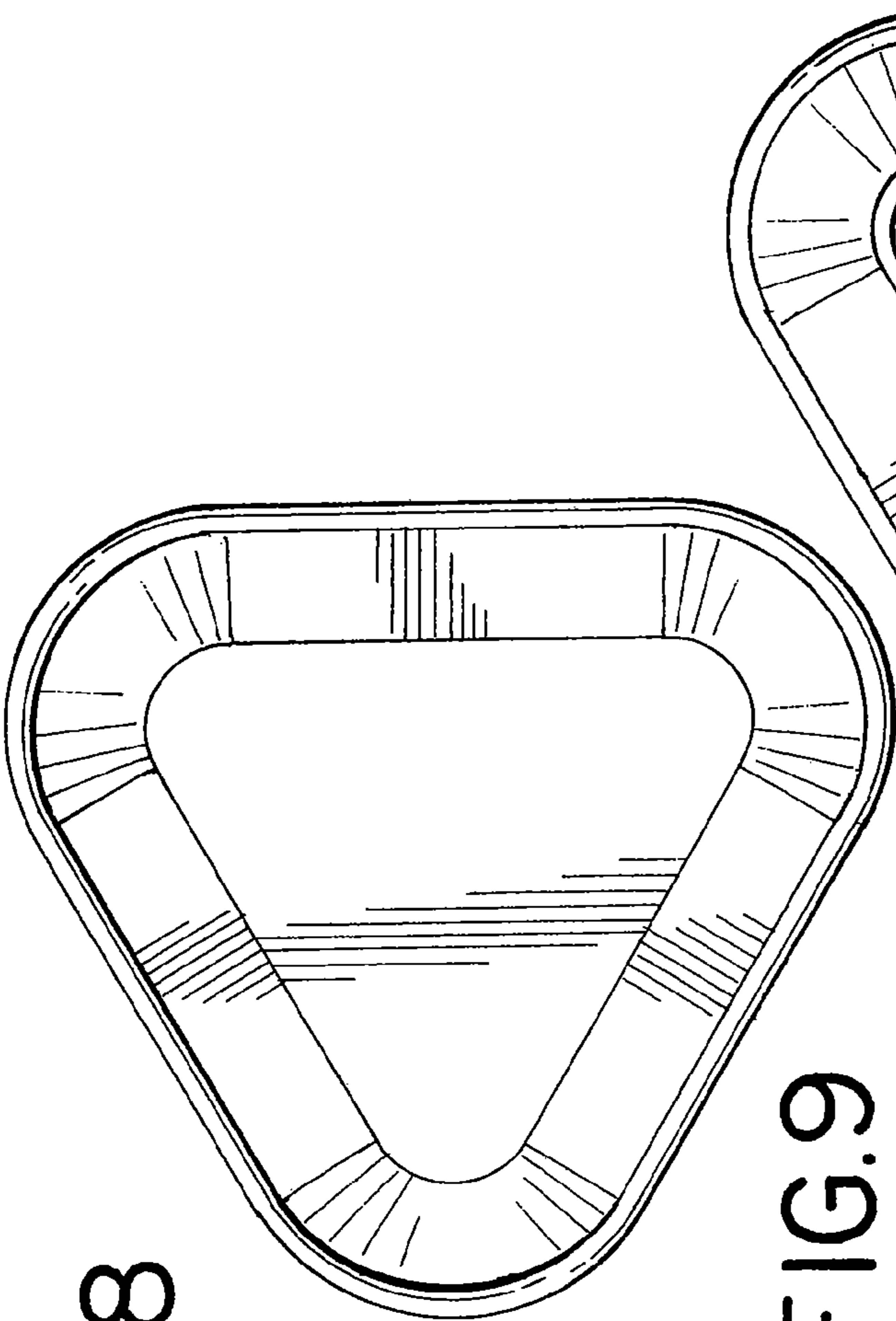


FIG. 8

FIG. 9

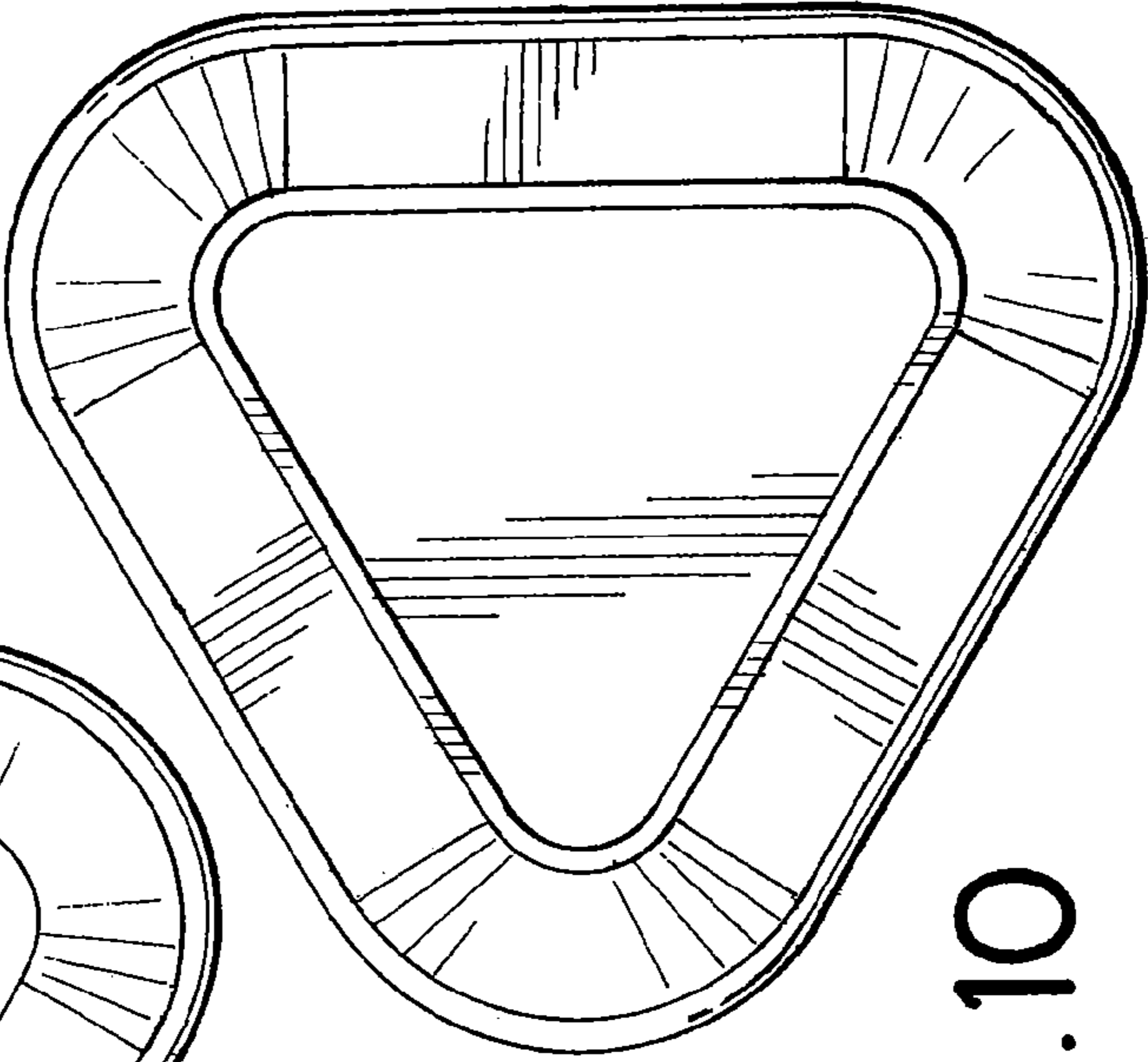
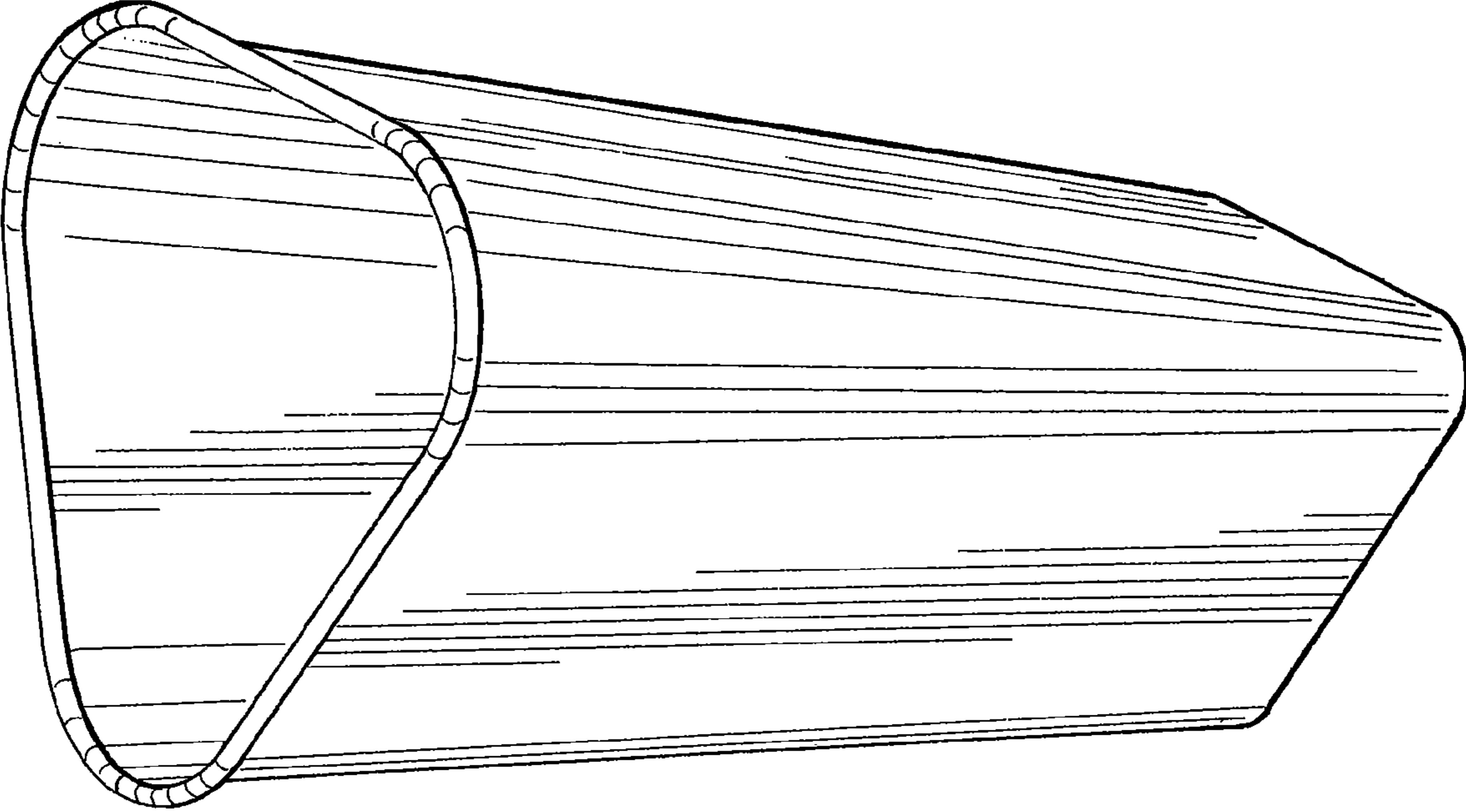


FIG. 10



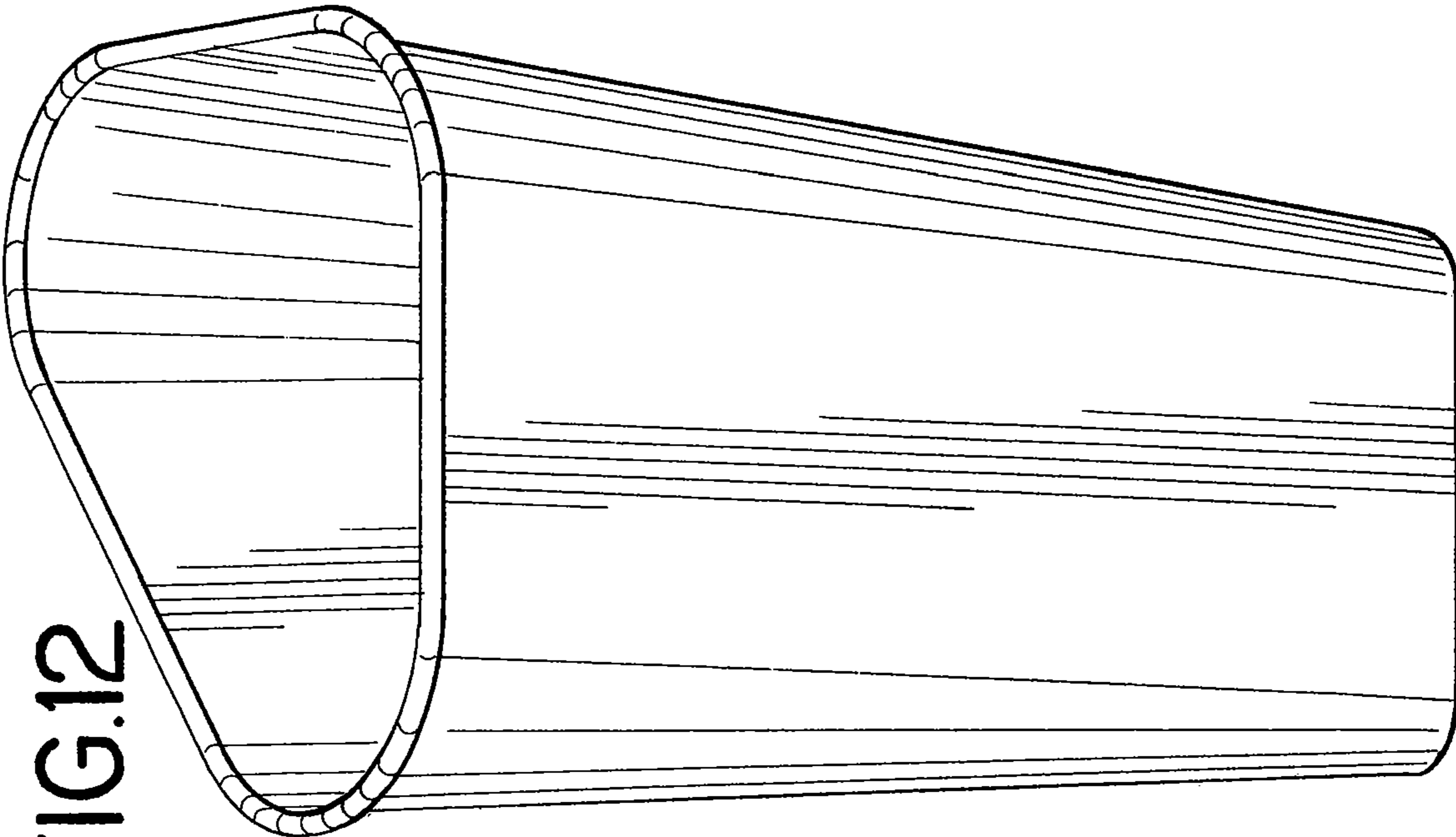


FIG. 12

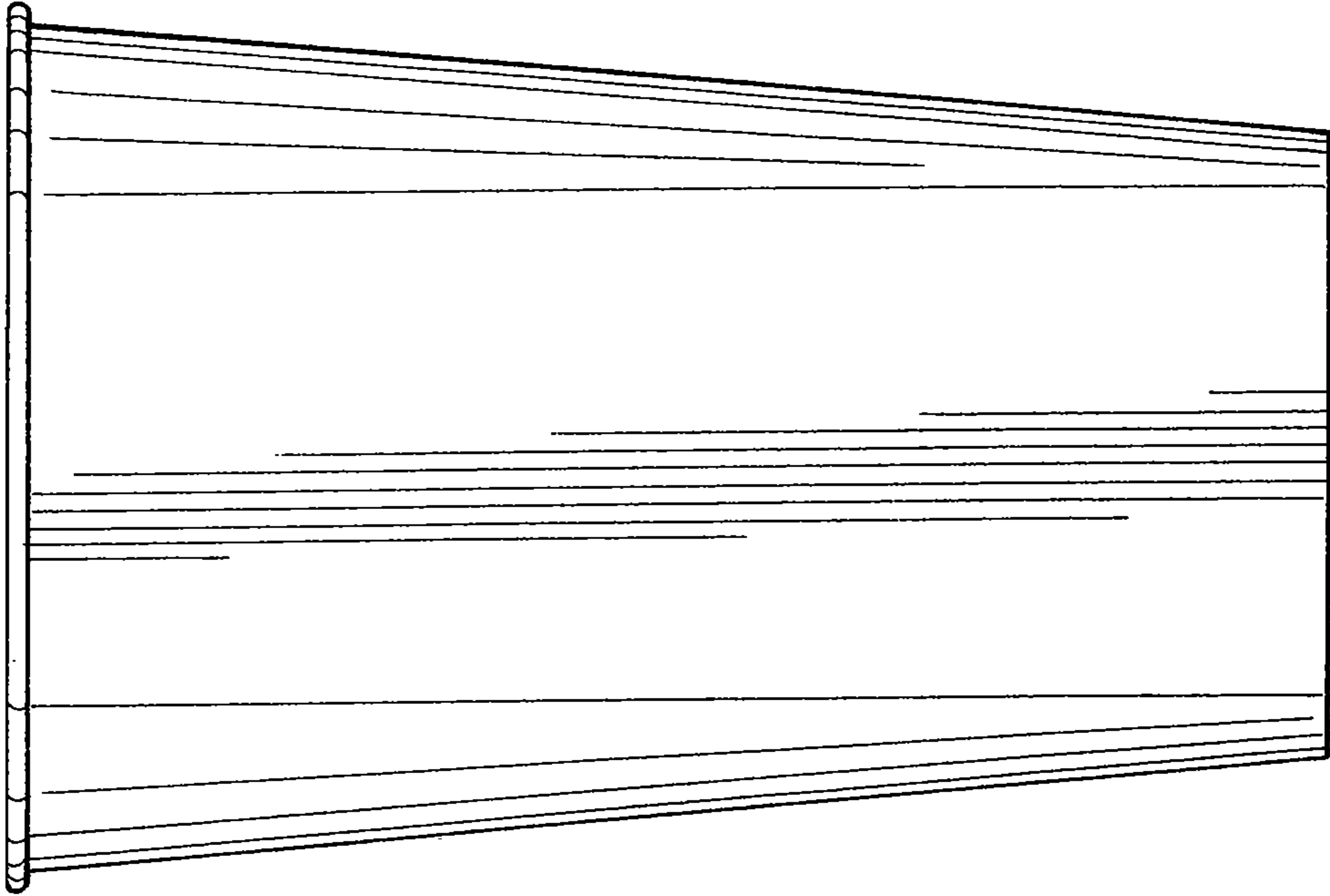


FIG. 11

FIG.13

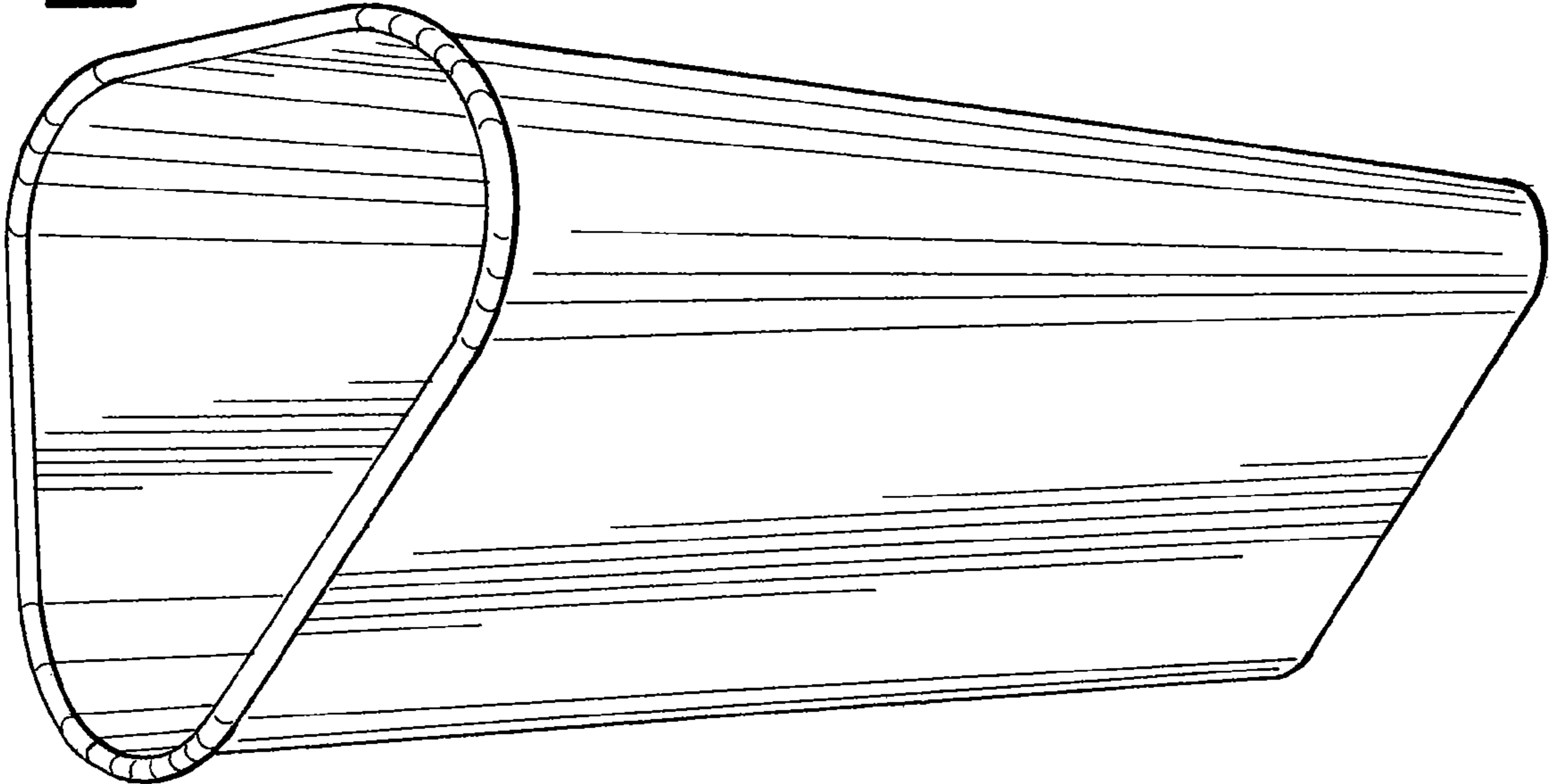


FIG.14

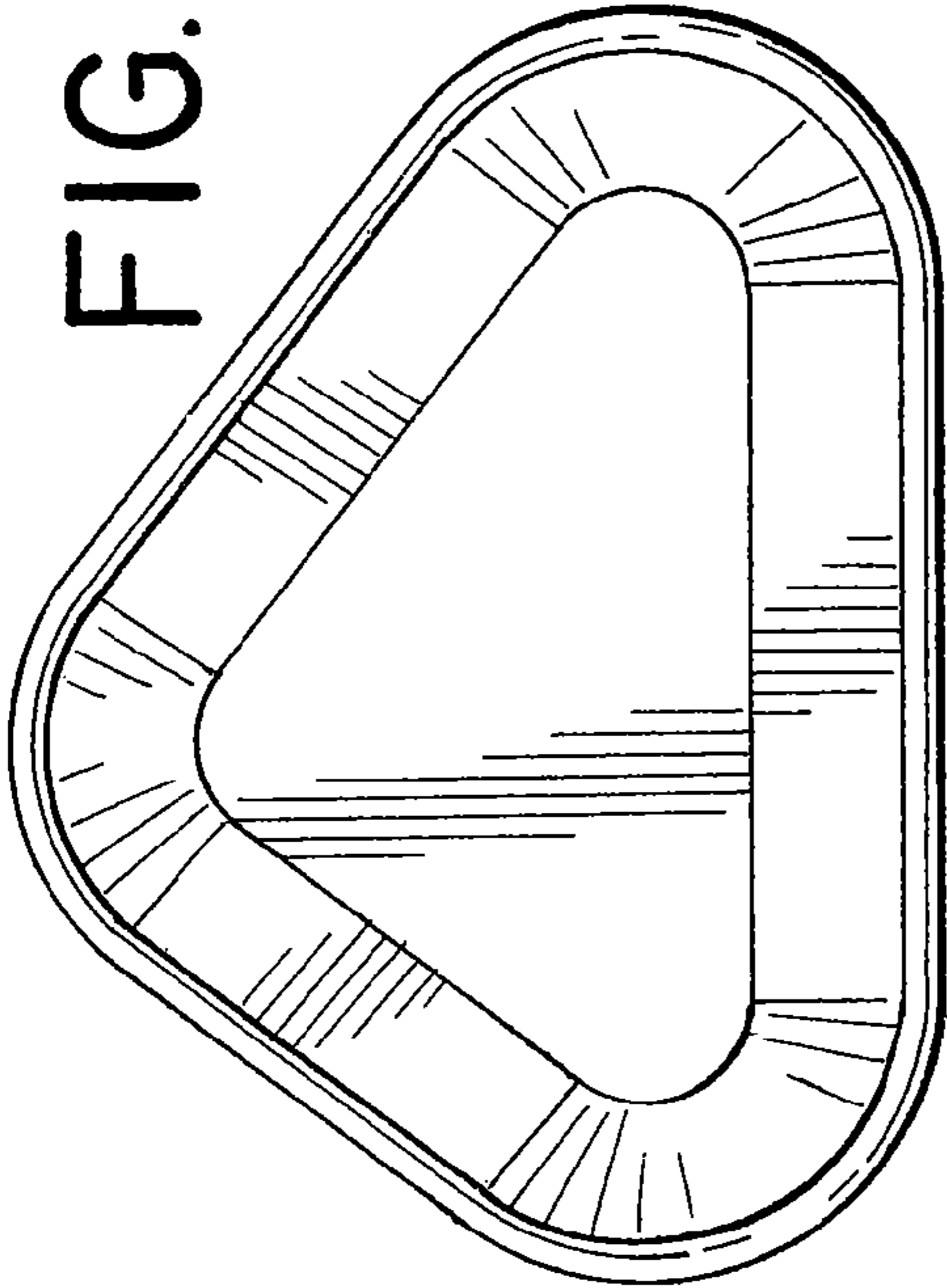


FIG.15

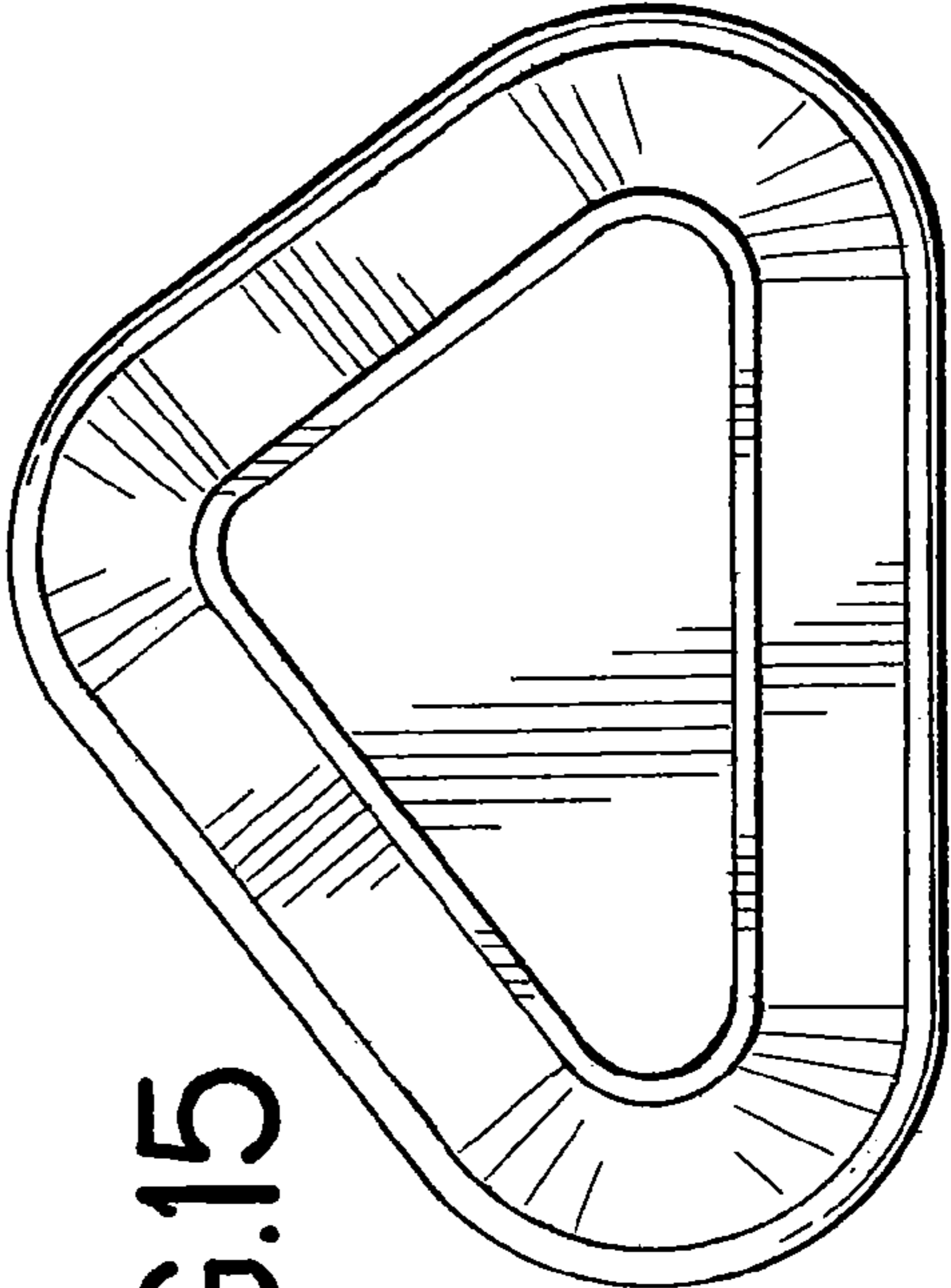


FIG.17

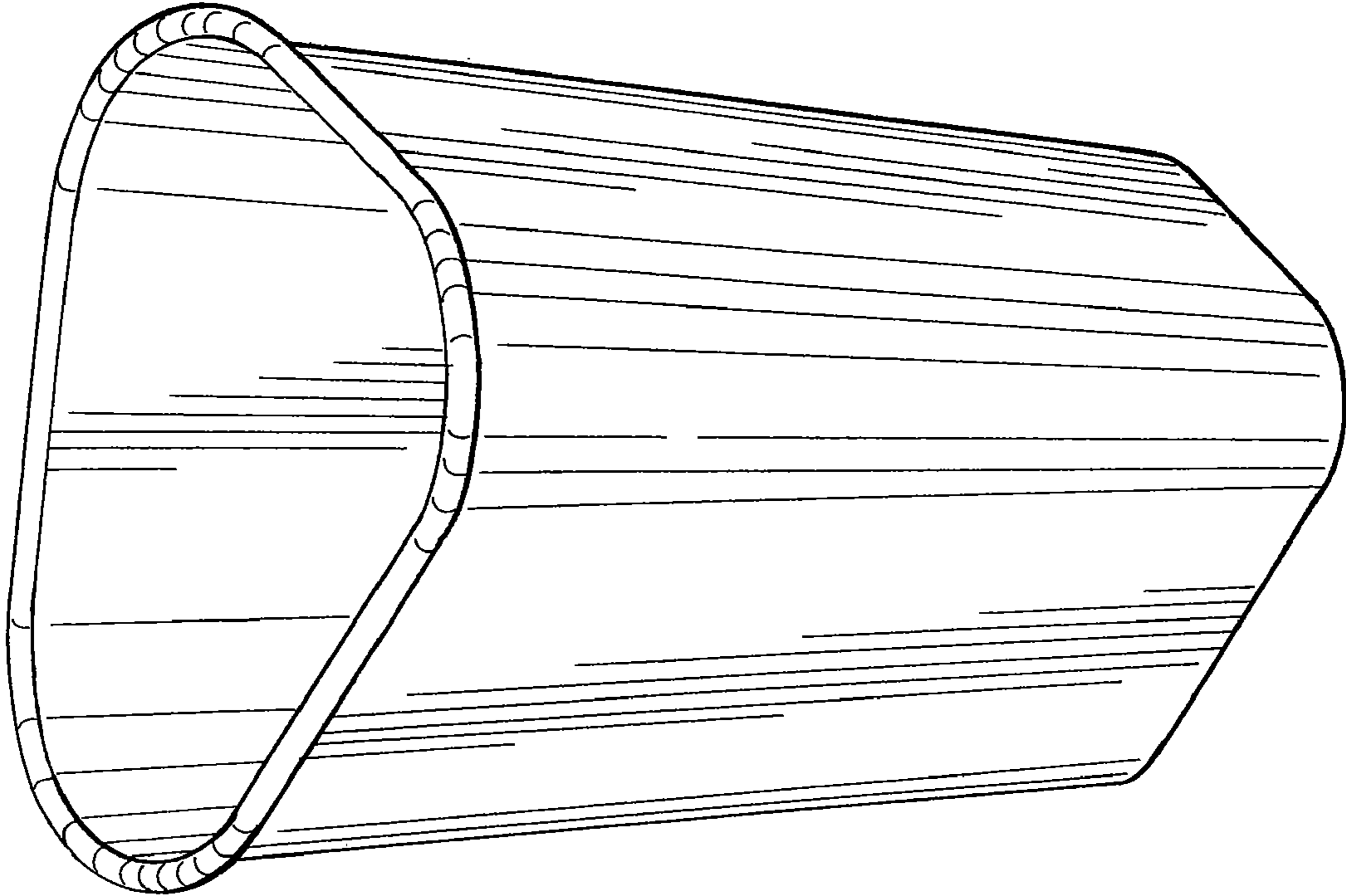
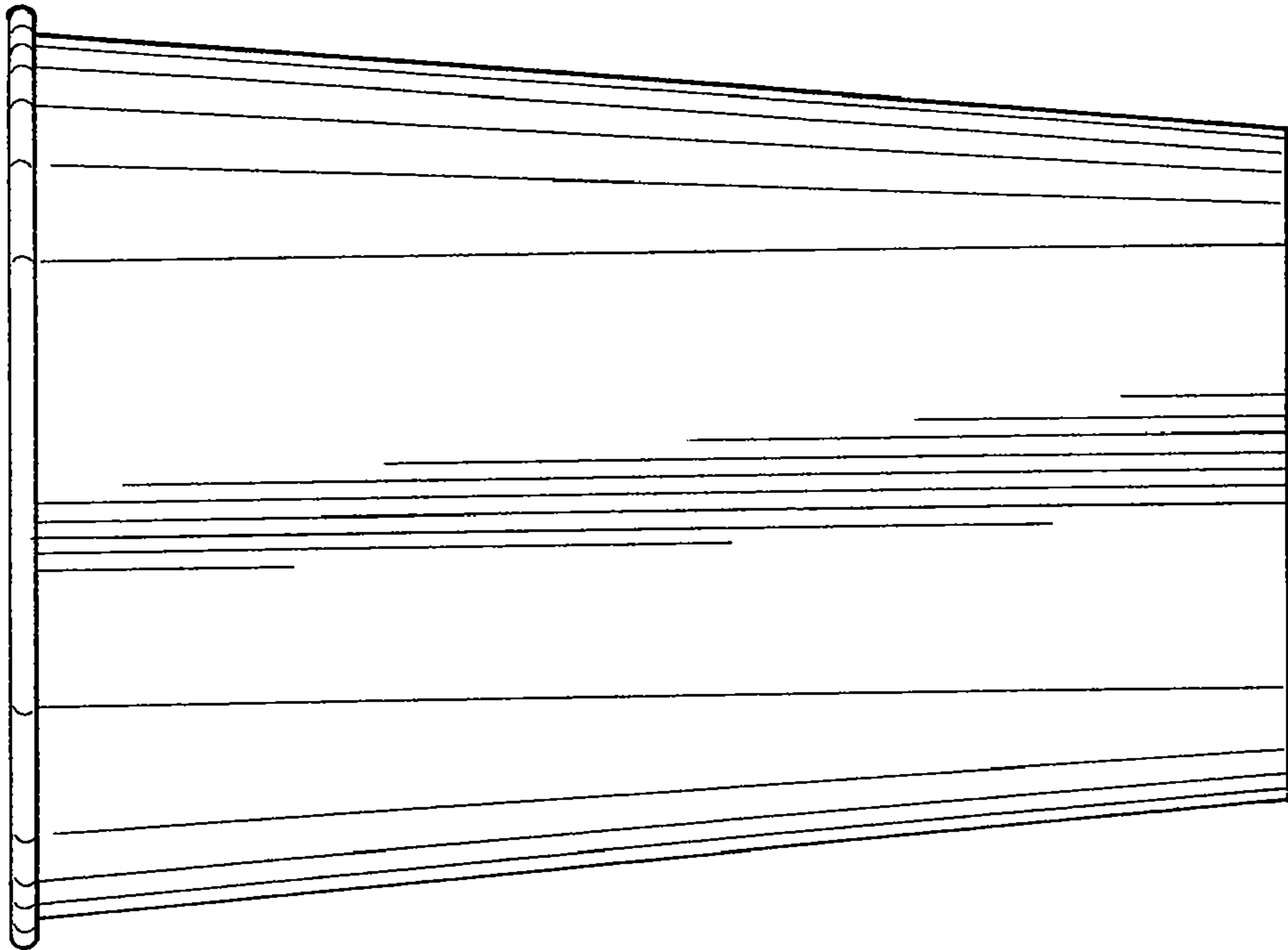


FIG.16





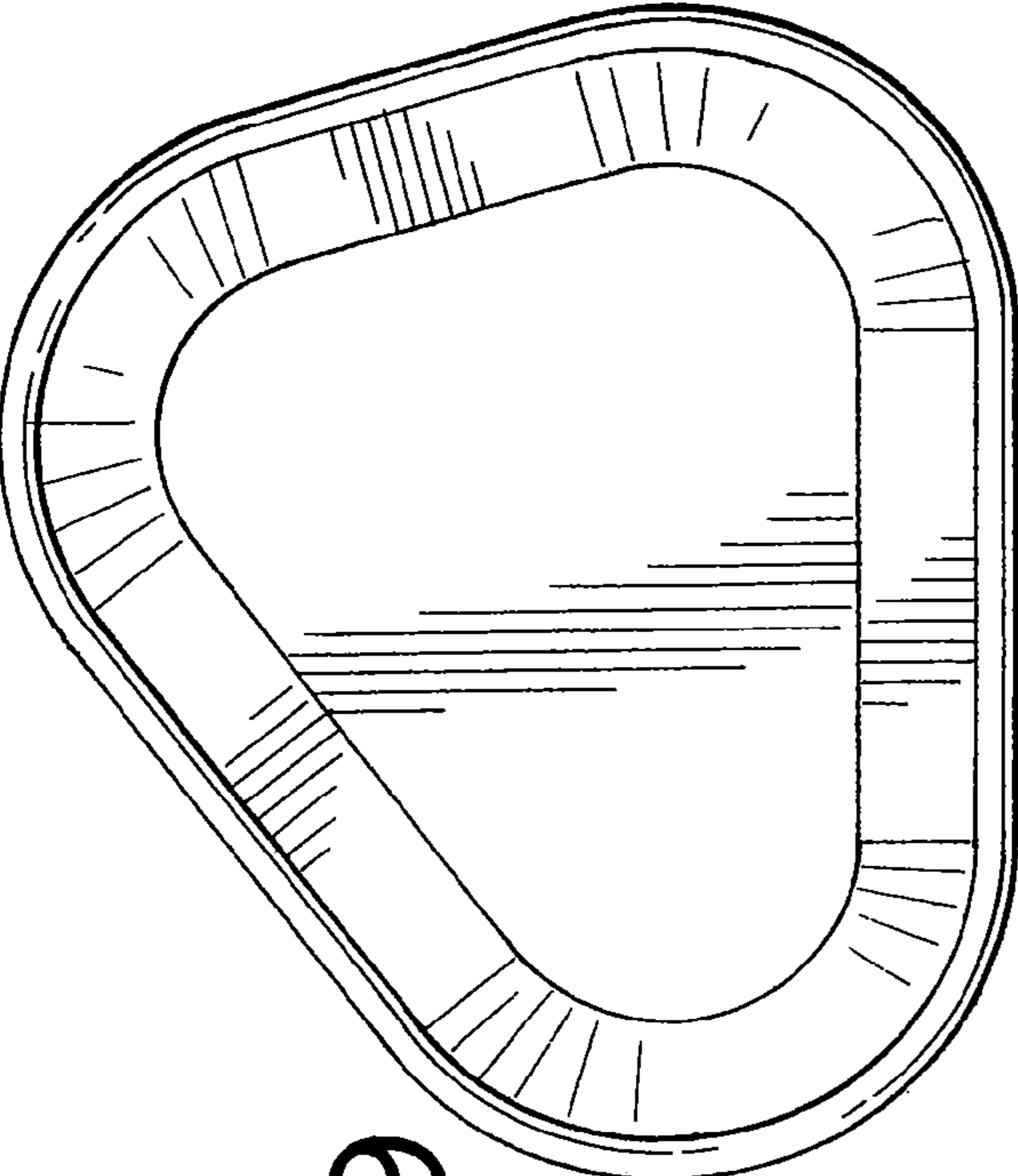


FIG.18

FIG.19

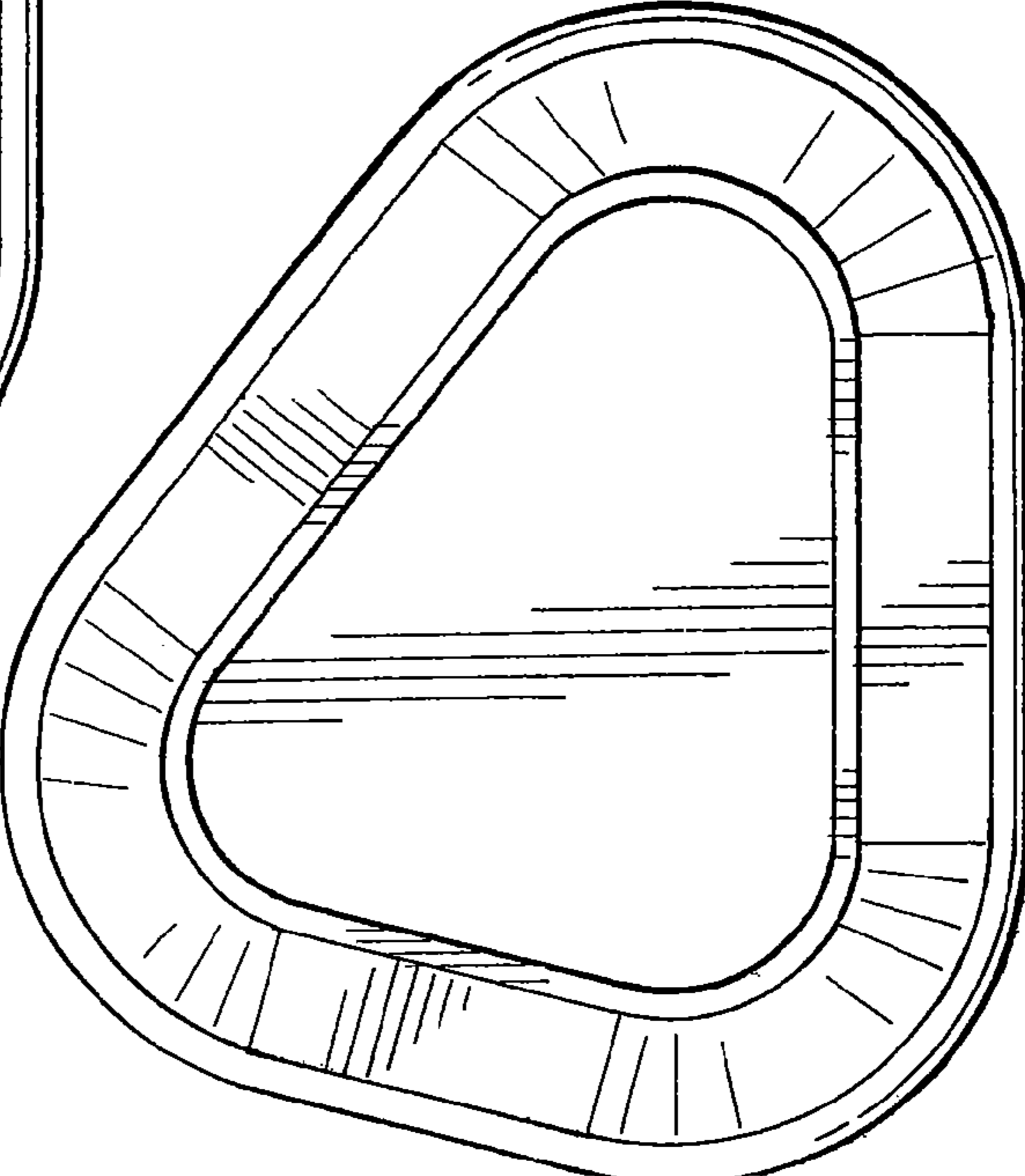


FIG.20

