



US00D613610S

(12) **United States Design Patent**
Wu

(10) **Patent No.:** **US D613,610 S**
(45) **Date of Patent:** **** Apr. 13, 2010**

(54) **BOTTLE**

(76) Inventor: **Jiang-Her Wu**, No. 10, Alley 2, Lane
121, Longsiao St., Gueishan Township,
Taoyuan County (TW) 333

(**) Term: **14 Years**

(21) Appl. No.: **29/329,529**

(22) Filed: **Dec. 17, 2008**

(51) **LOC (9) Cl.** **09-01**

(52) **U.S. Cl.** **D9/538; D9/554; D9/555;**
D9/557

(58) **Field of Classification Search** D9/502,
D9/516, 690-692, 537-540, 545-546, 549,
D9/553-558, 566-568, 570; 215/381-385;
220/660, 669, 675; D24/197

See application file for complete search history.

(56) **References Cited**

U.S. PATENT DOCUMENTS

D67,215 S *	5/1925	Lents	D9/555
D91,784 S *	3/1934	Nordlinger	D9/556
D117,302 S *	10/1939	Busiel	D9/538
D155,134 S *	9/1949	Dykstra	D9/568
D182,734 S *	5/1958	Luxardo et al.	D9/521
D187,302 S *	2/1960	Campbell	D9/502
D190,058 S *	4/1961	Koenigsberg	D9/502
D209,019 S *	10/1967	Neese et al.	D9/502
D209,931 S *	1/1968	Sterges	D9/502
D212,321 S *	10/1968	Hills	D9/502
D219,098 S *	11/1970	Hills	D9/502
D238,930 S *	2/1976	Dadmun, Jr. et al.	D9/545

D313,931 S *	1/1991	Malvoisin	D9/557 X
D314,136 S *	1/1991	Malvoisin	D9/502
D448,677 S *	10/2001	Krich	D9/553
D471,767 S *	3/2003	Ucar Cortes et al.	D7/598
D538,169 S *	3/2007	Nosselbock	D9/555 X
D549,103 S *	8/2007	Kueth et al.	D9/538
D574,244 S *	8/2008	Lin	D9/554 X
D588,016 S *	3/2009	Ziegler	D9/733

* cited by examiner

Primary Examiner—Carol Rademaker

(74) *Attorney, Agent, or Firm*—Chun-Ming Shih

(57) **CLAIM**

The ornamental design for a bottle, as shown and described.

DESCRIPTION

FIG. 1 is a top, front, right side perspective view of a bottle showing my new design;

FIG. 2 is a front elevational view thereof, shown with an enlarged detail of the horizontal band shown on the lower sidewall edge;

FIG. 3 is a rear elevational view thereof;

FIG. 4 is a left side elevational view thereof;

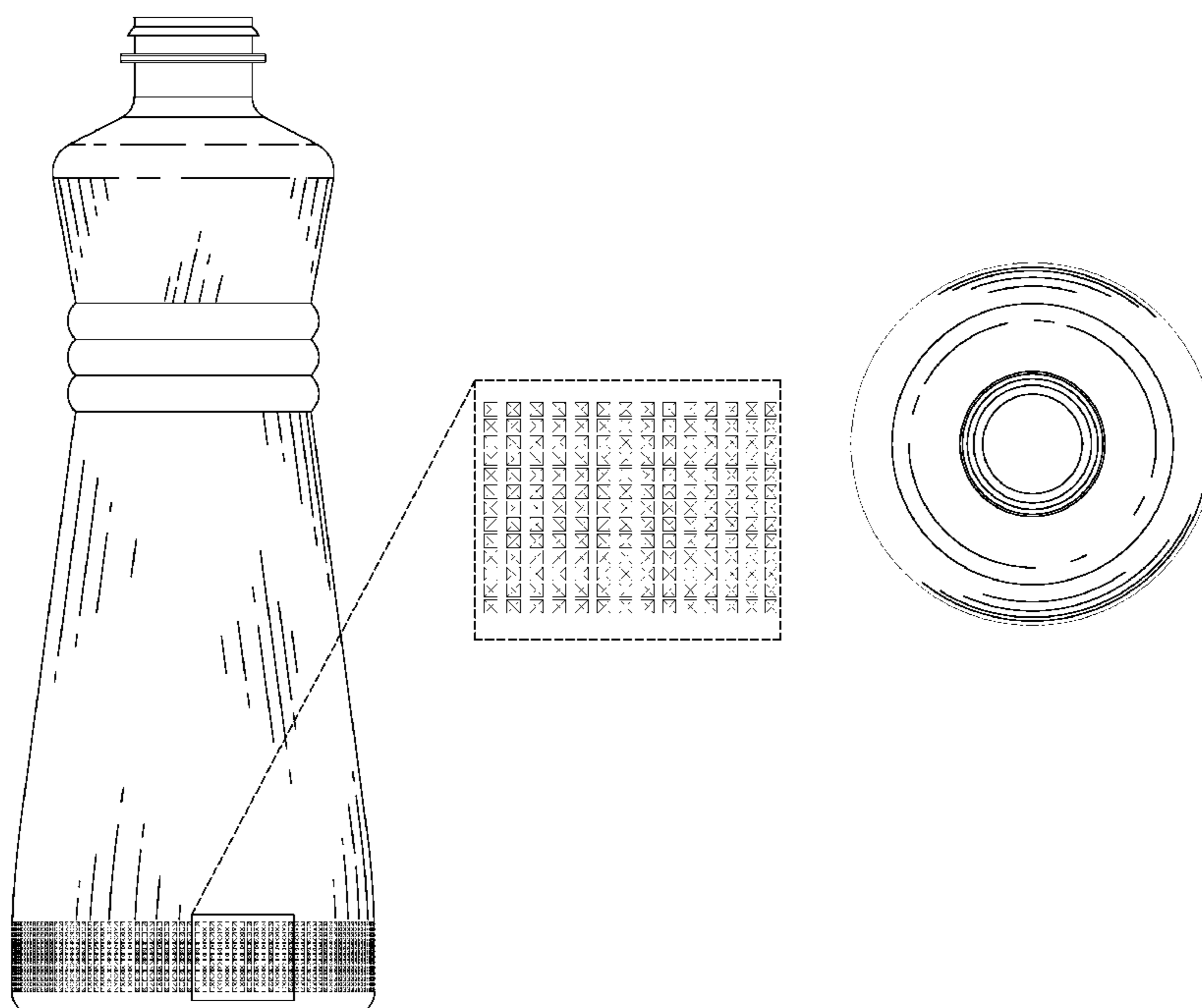
FIG. 5 is a right side elevational view thereof;

FIG. 6 is a top plan view thereof; and,

FIG. 7 is a bottom plan view thereof.

The broken lines shown in the drawings are included for the purpose of illustrating environmental structure that forms no part of the claimed design.

1 Claim, 6 Drawing Sheets



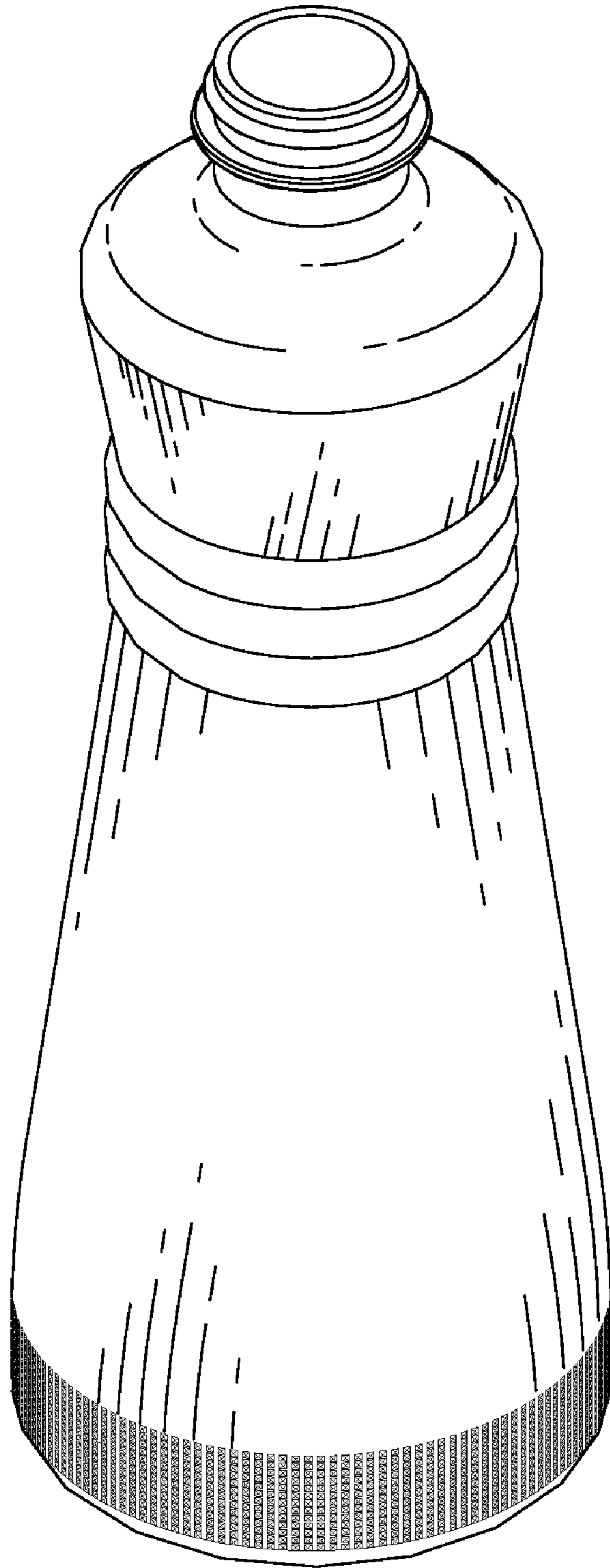


FIG. 1

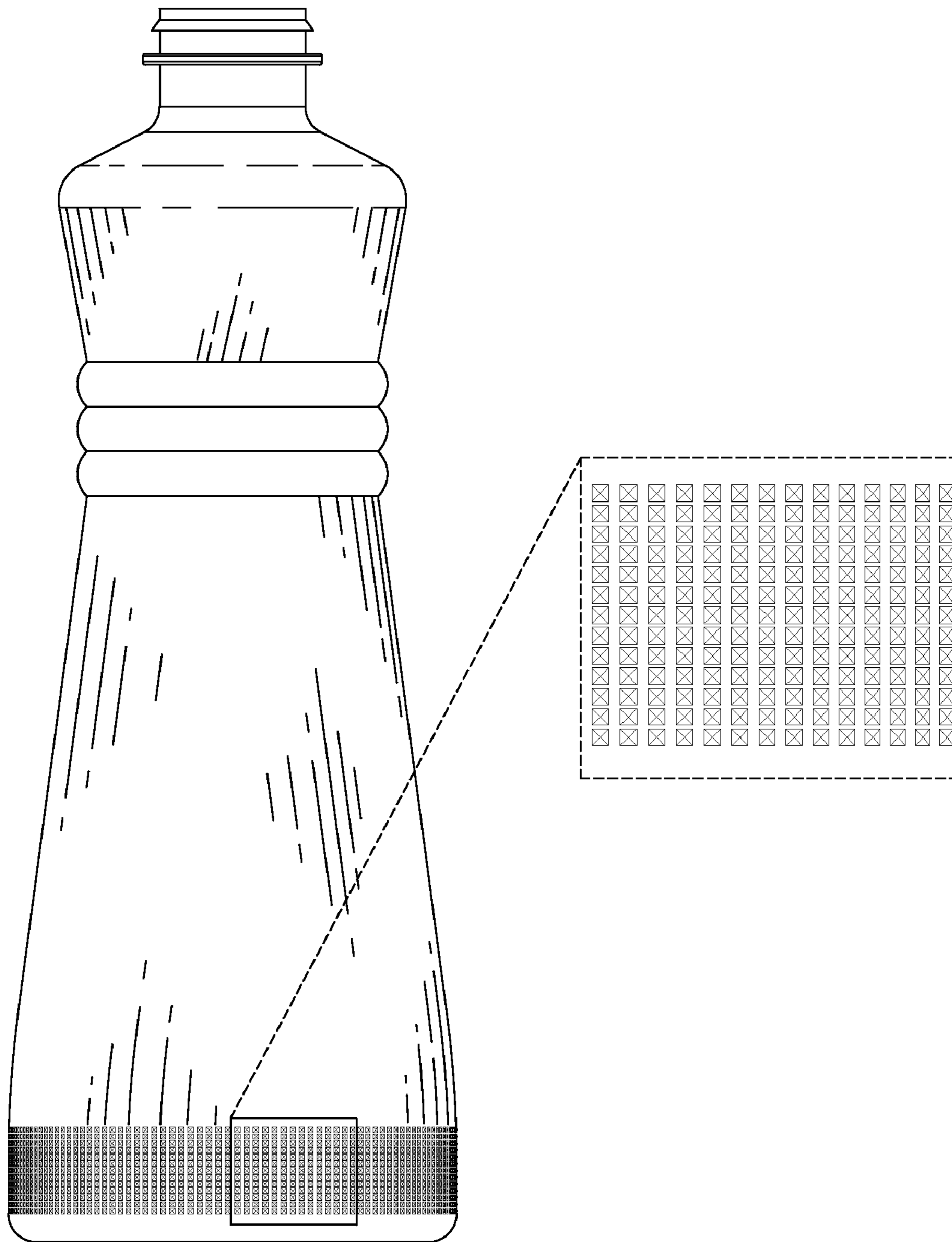


FIG. 2

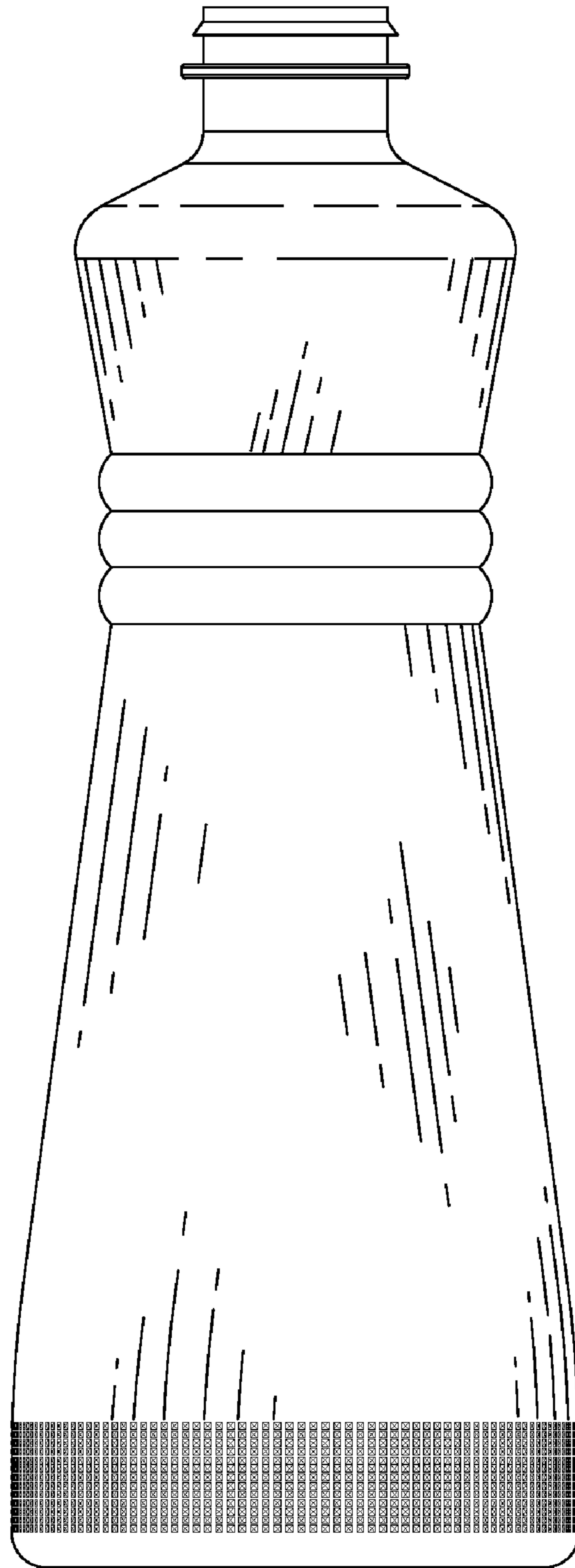


FIG. 3

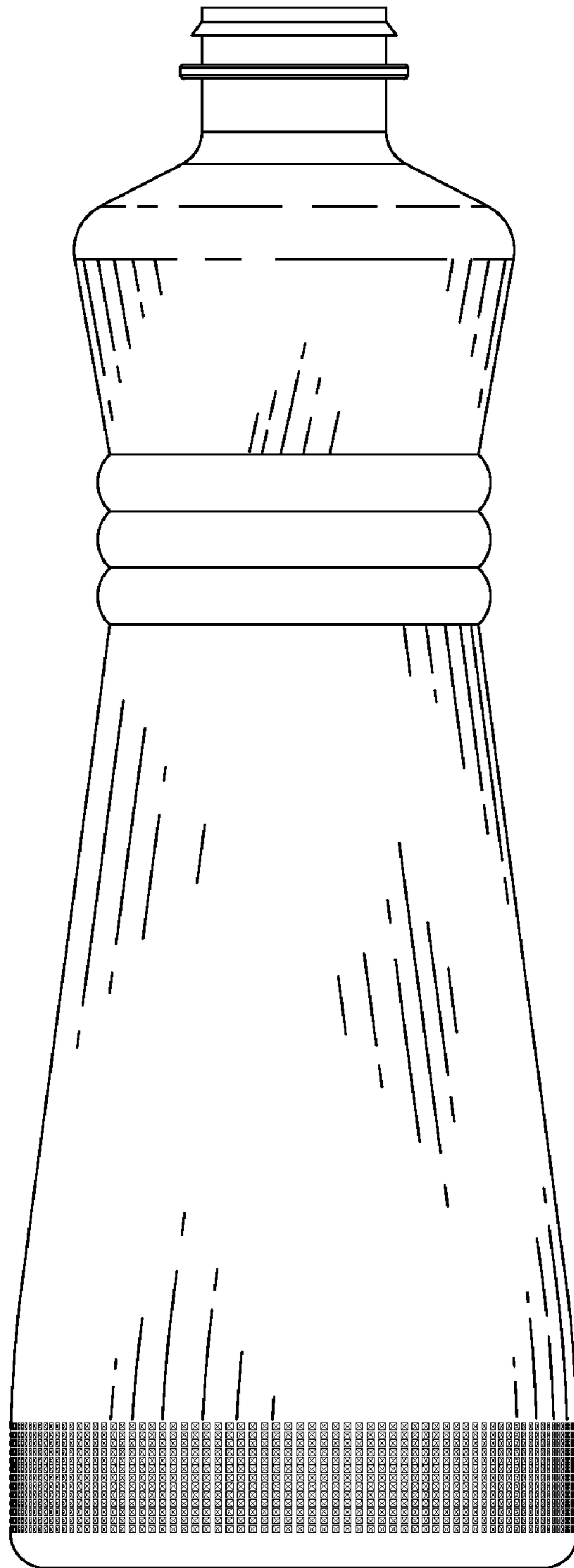


FIG. 4

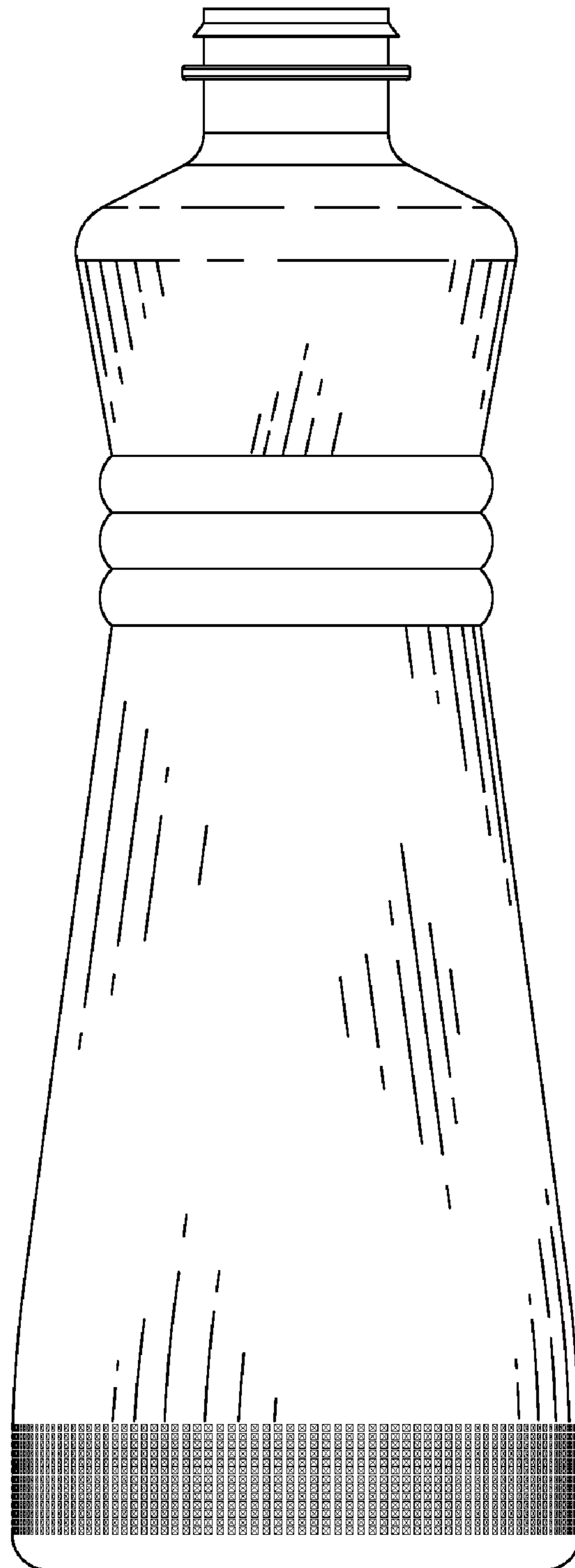


FIG. 5

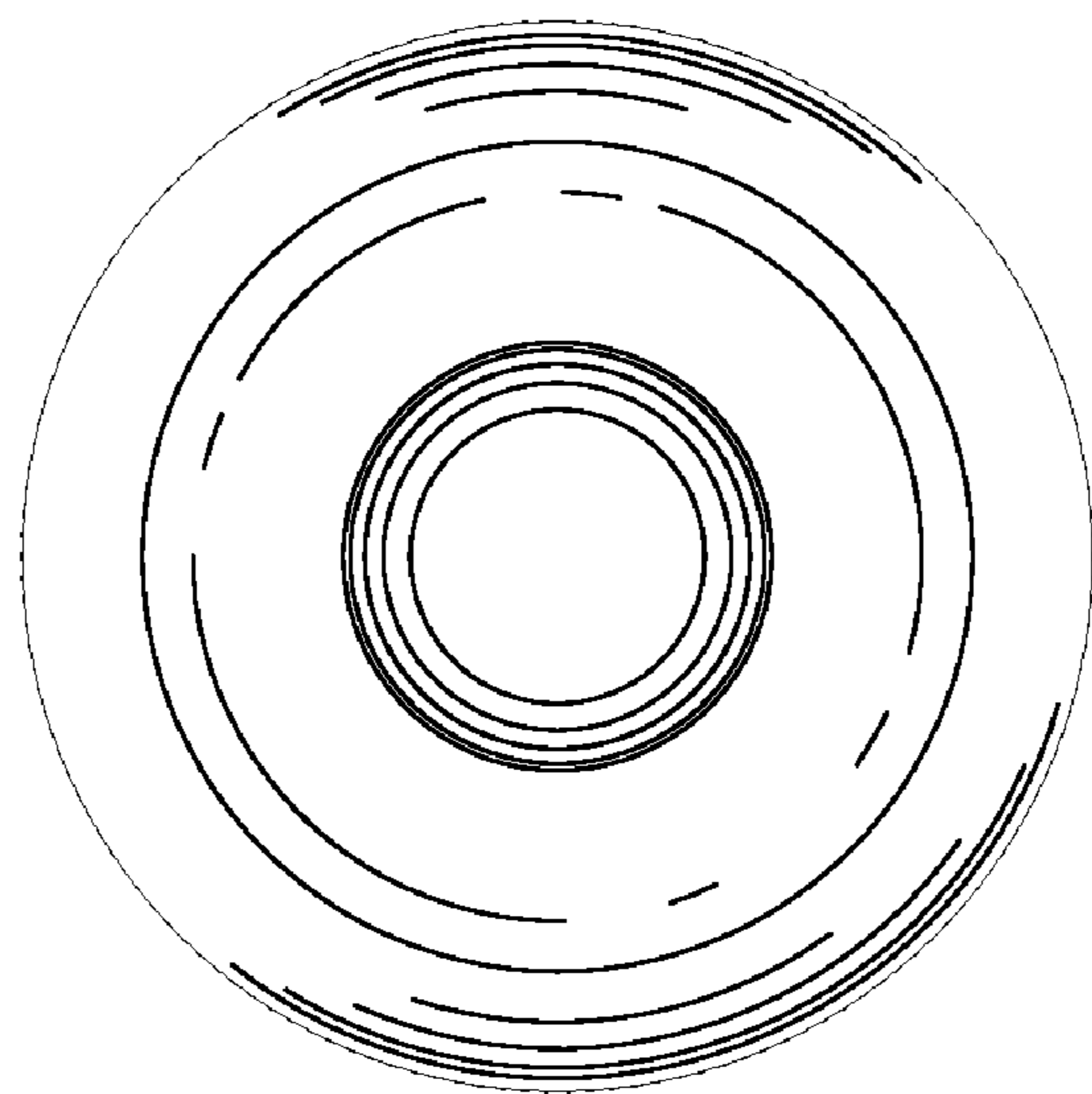


FIG. 6

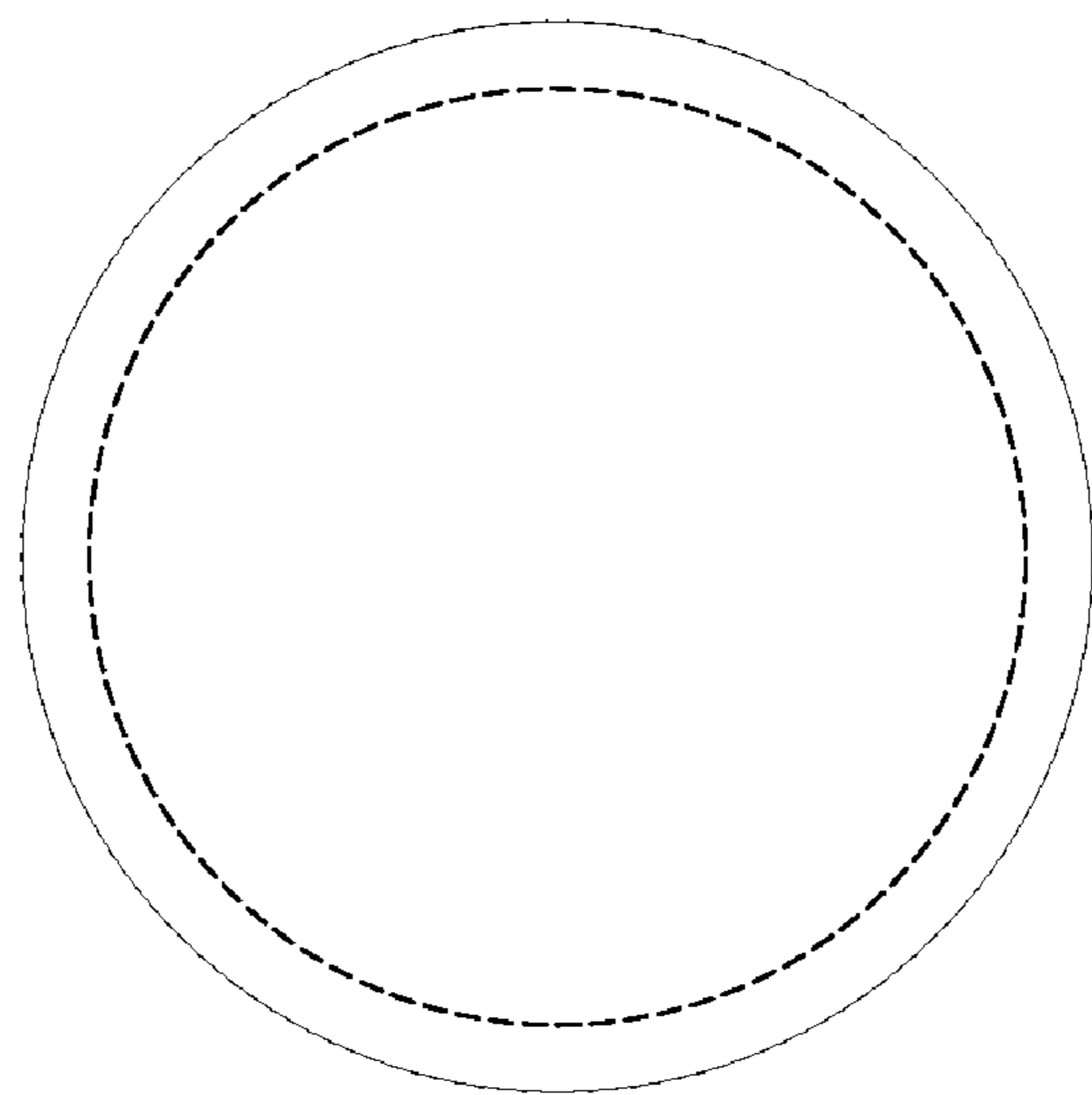


FIG. 7