



US00D613609S

(12) **United States Design Patent**
Pok et al.

(10) **Patent No.:** **US D613,609 S**
(45) **Date of Patent:** **** Apr. 13, 2010**

(54) **CONTAINER**

(75) Inventors: **Bernard Pok**, Shanghai (CN); **Tao Hai**, Shanghai (CN)

(73) Assignee: **Mars, Incorporated**, McLean, VA (US)

(**) Term: **14 Years**

(21) Appl. No.: **29/328,730**

(22) Filed: **Dec. 1, 2008**

(30) **Foreign Application Priority Data**

May 29, 2008 (CN) 2008 3 0120176

(51) **LOC (9) Cl.** **09-01**

(52) **U.S. Cl.** **D9/529; D9/575**

(58) **Field of Classification Search** D9/414,
D9/420, 421, 423, 424, 434, 435, 444, 447,
D9/449, 516, 523, 524, 526, 529, 537, 539,
D9/540, 551, 564, 575, 737, 738, 741; 215/381-385;
220/662, 669

See application file for complete search history.

(56) **References Cited**

U.S. PATENT DOCUMENTS

D314,139 S *	1/1991	Ambasz	D9/529
D389,742 S *	1/1998	Toleman	D9/523
D442,485 S *	5/2001	Sumpmann et al.	D9/432
D466,012 S *	11/2002	Baker	D9/420
D469,011 S *	1/2003	Miller	D9/417
D470,765 S *	2/2003	Baker	D9/420
D535,530 S *	1/2007	Clement	D7/629
D547,649 S *	7/2007	Larocca	D9/423
D557,600 S *	12/2007	Pettigrew et al.	D9/420
D565,838 S *	4/2008	Arvidsson et al.	D3/203.2
D578,302 S *	10/2008	Arvidsson et al.	D3/203.2

D597,407 S * 8/2009 Maddy D9/523

* cited by examiner

Primary Examiner—Stella M Reid

Assistant Examiner—Keli L Hill

(74) *Attorney, Agent, or Firm*—Arent Fow LLP

(57) **CLAIM**

The ornamental design for a container, as shown and described.

DESCRIPTION

FIG. 1 is a top perspective view of a first embodiment of a container, showing our new design;

FIG. 2 is a bottom perspective view of the design shown in FIG. 1;

FIG. 3 is a front view of the design shown in FIG. 1;

FIG. 4 is a rear view of the design shown in FIG. 1;

FIG. 5 is a top view of the design shown in FIG. 1;

FIG. 6 is a bottom view of the design shown in FIG. 1;

FIG. 7 is a left side view of the design shown in FIG. 1;

FIG. 8 is a right side view of the design shown in FIG. 1;

FIG. 9 is a top perspective view of a second embodiment of a container, showing our new design;

FIG. 10 is a top view of the design shown in FIG. 9;

FIG. 11 is a front view of the design shown in FIG. 9;

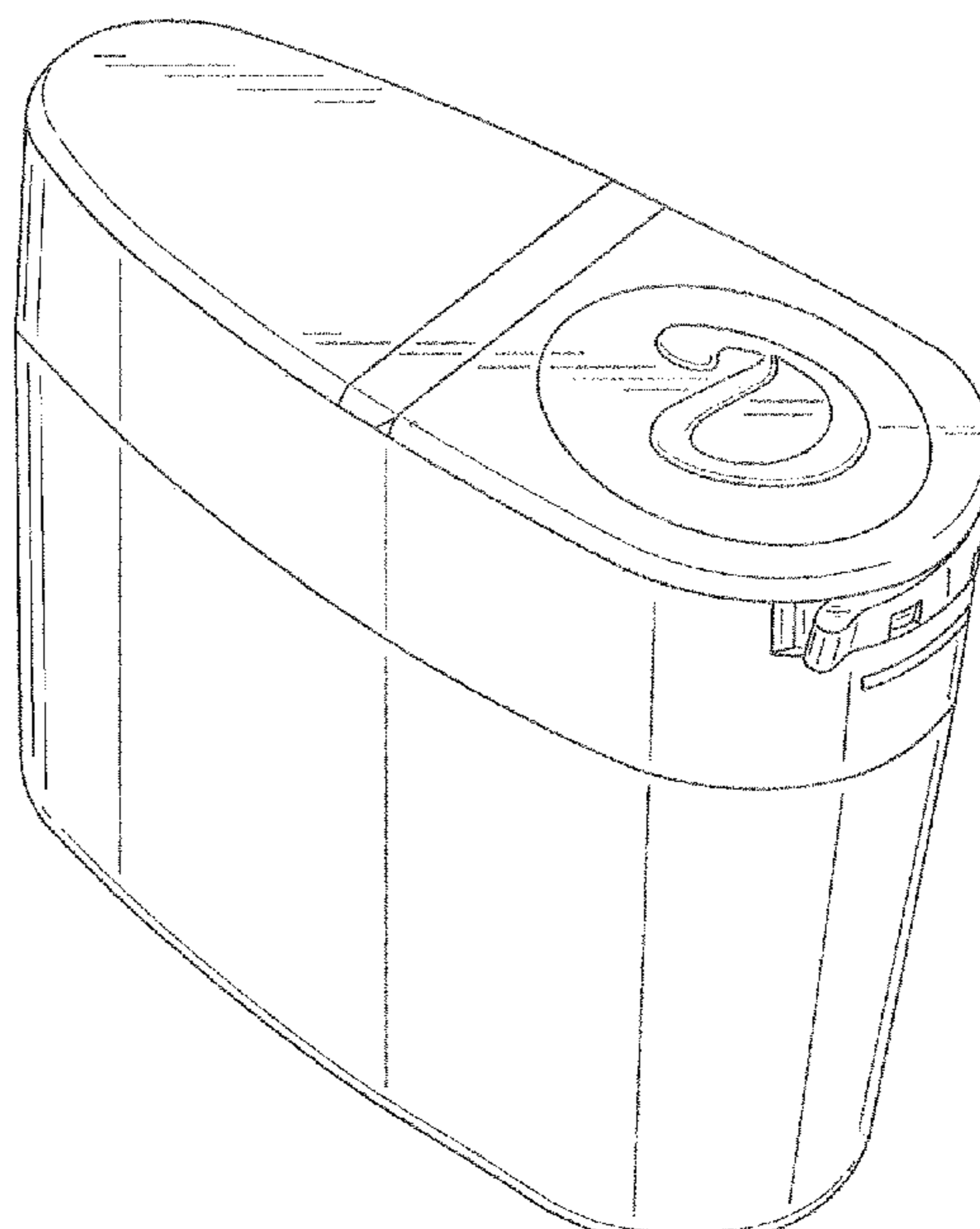
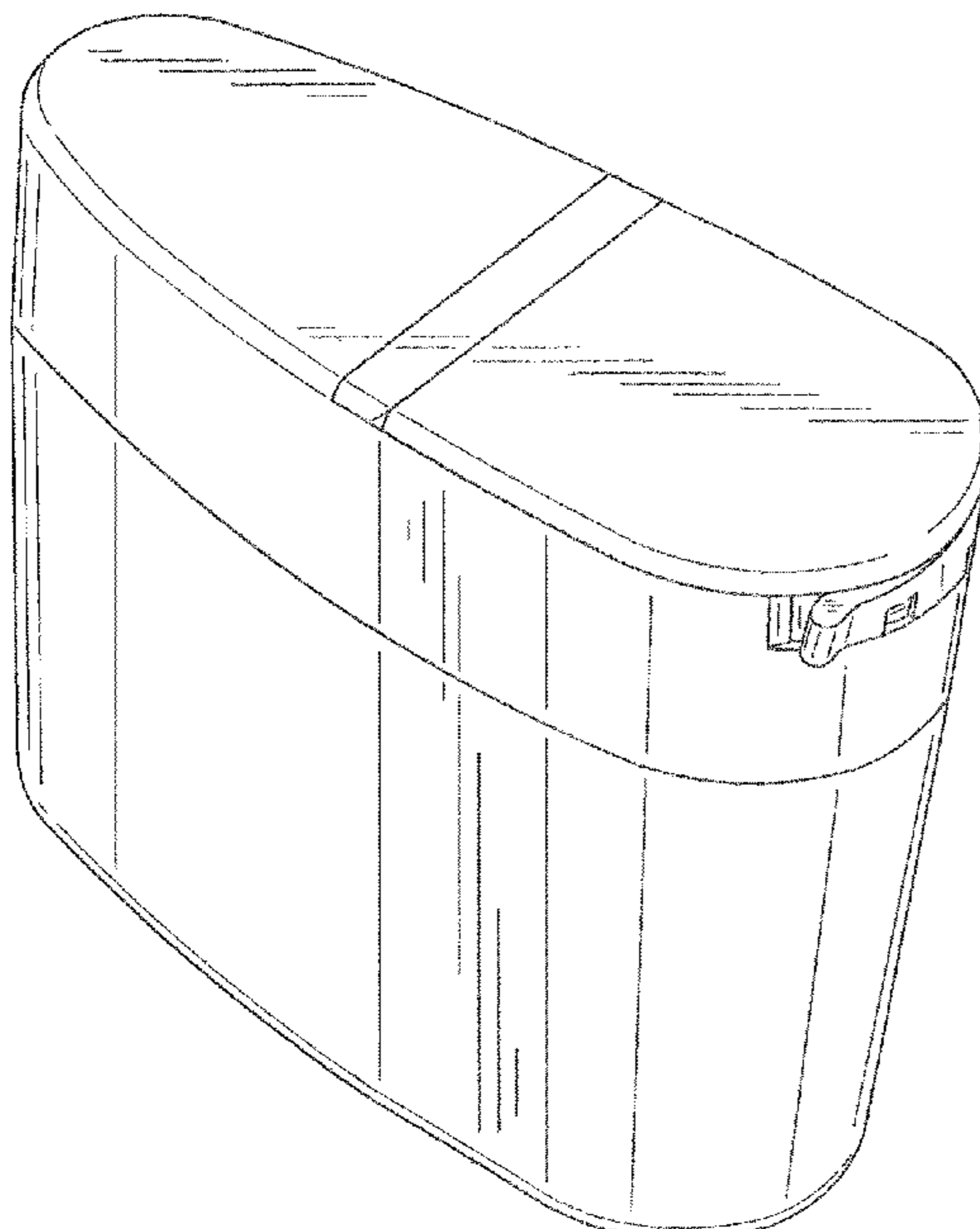
FIG. 12 is a rear view of the design shown in FIG. 9;

FIG. 13 is a left side view of the design shown in FIG. 9; and,

FIG. 14 right side view of the design shown in FIG. 9.

The “D” forming part of the claimed design in FIGS. 9–14 is a registered trademark of MARS, Incorporated.

1 Claim, 14 Drawing Sheets



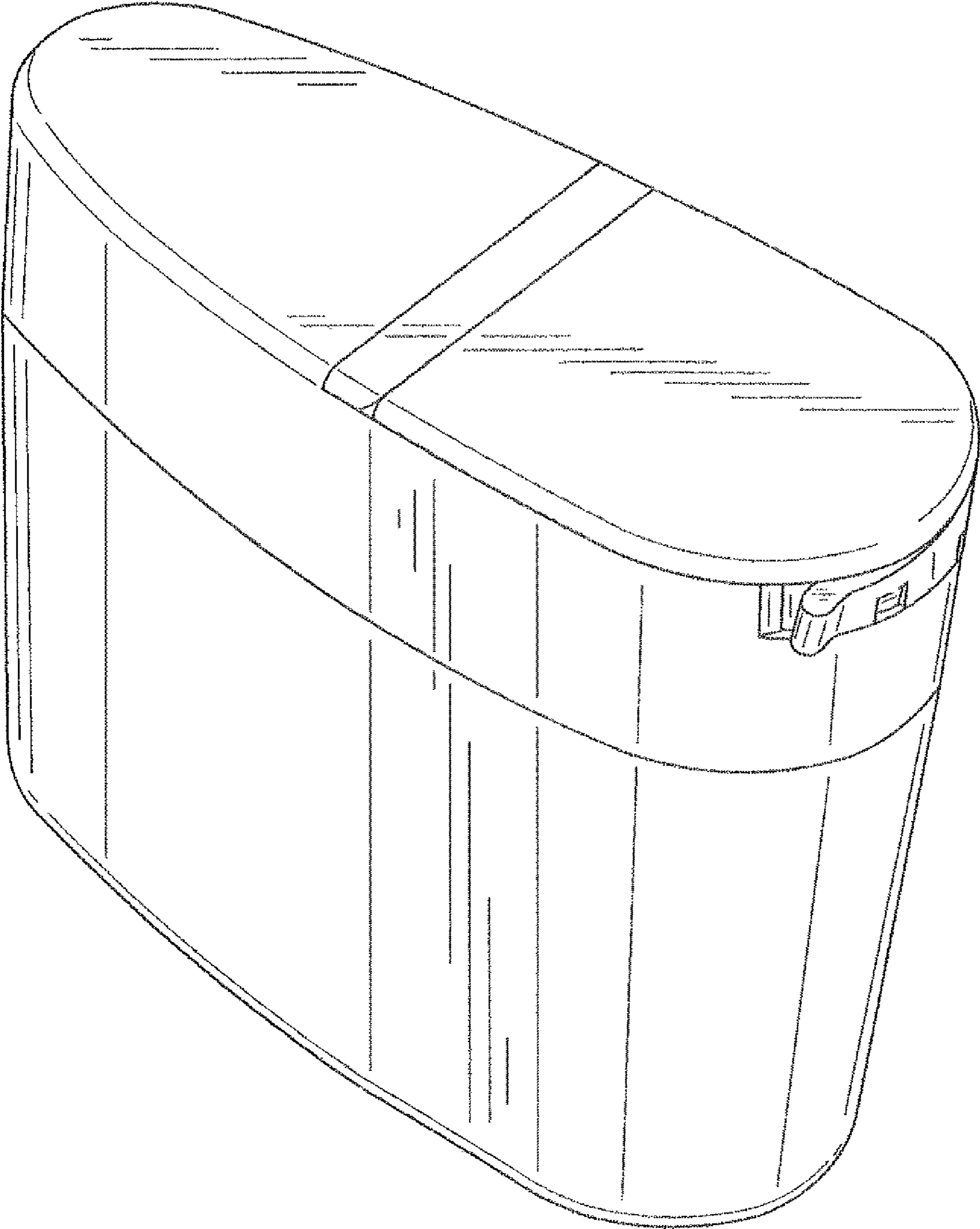


FIG. 1

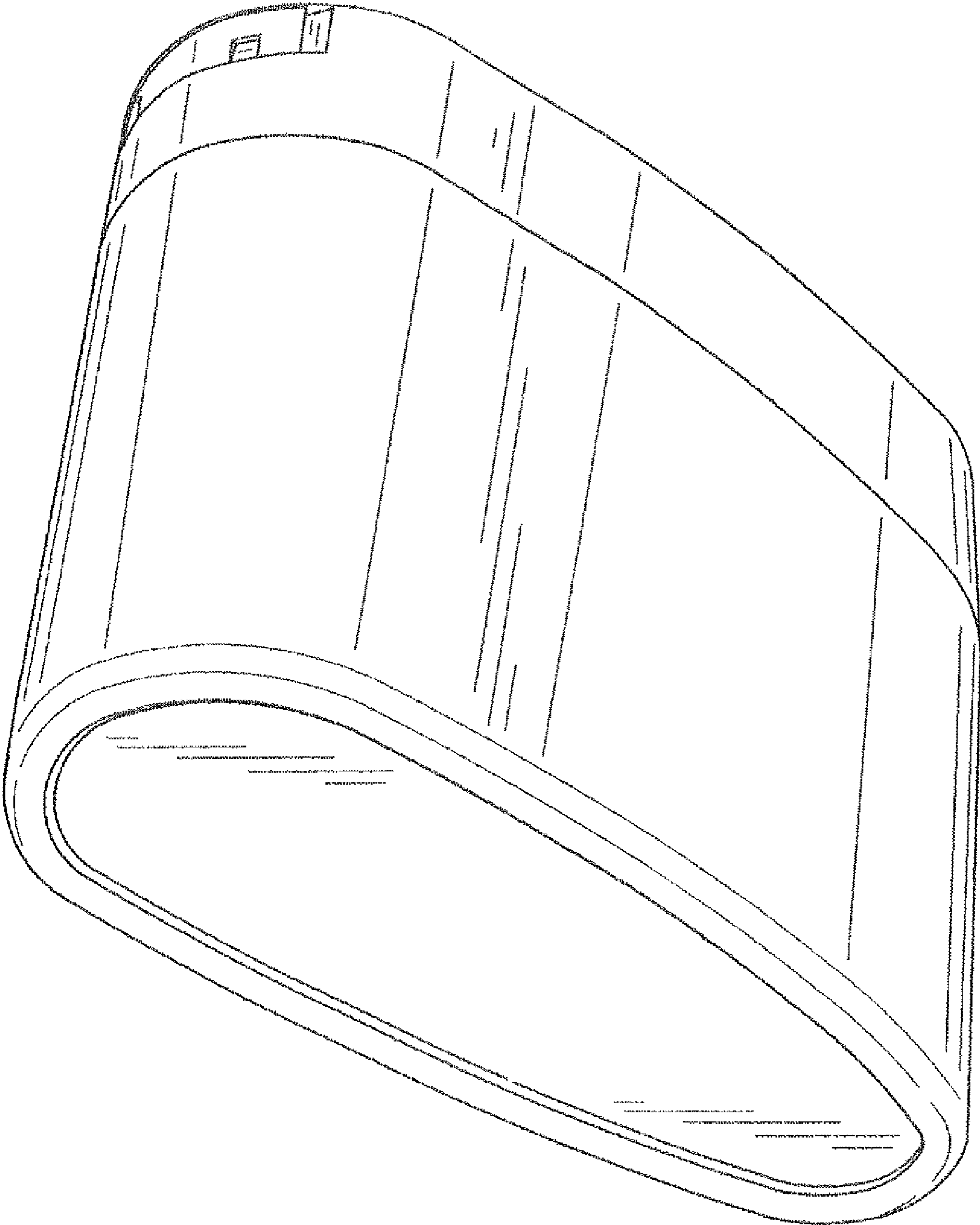


FIG. 2

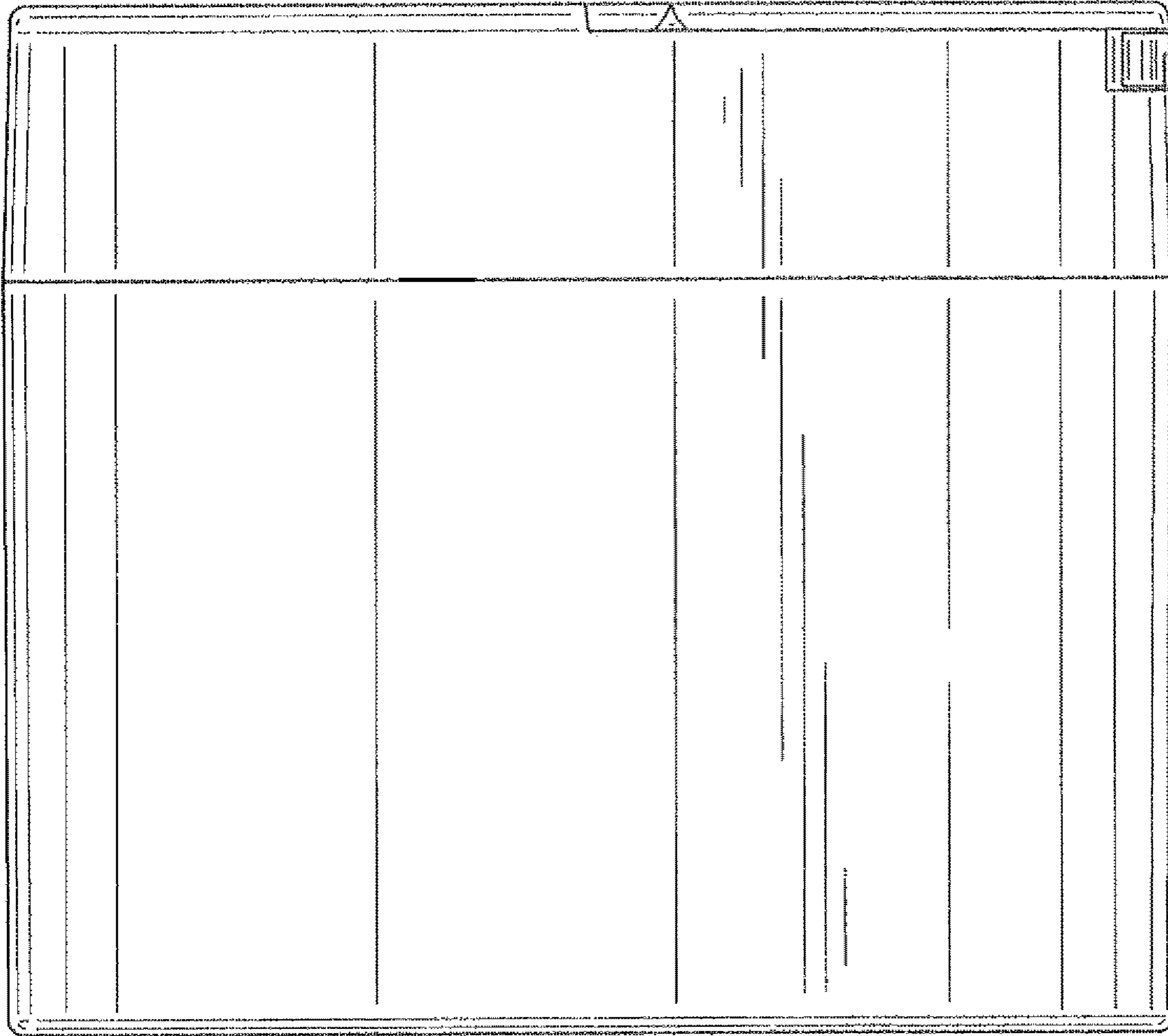


FIG. 3

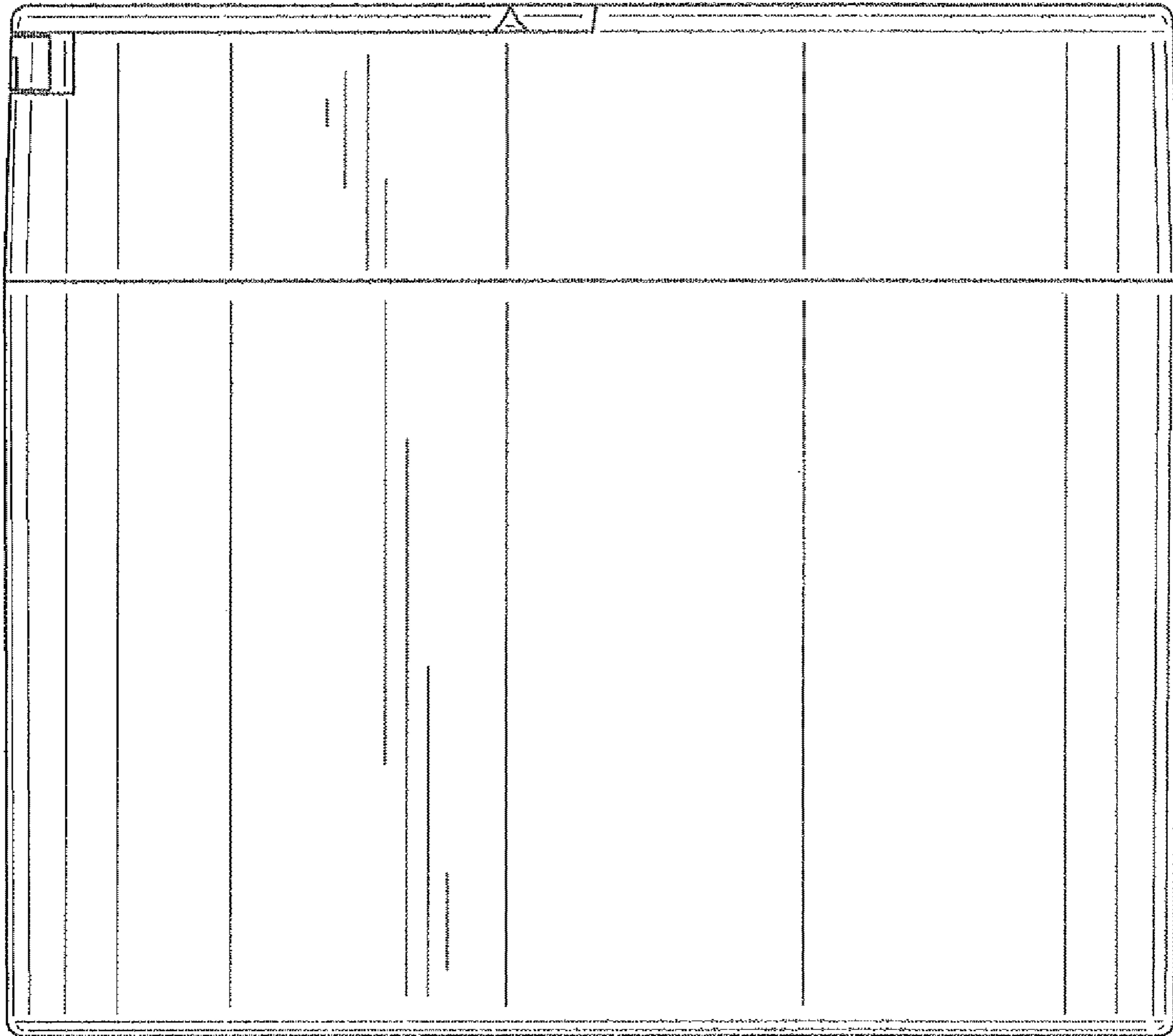


FIG. 4

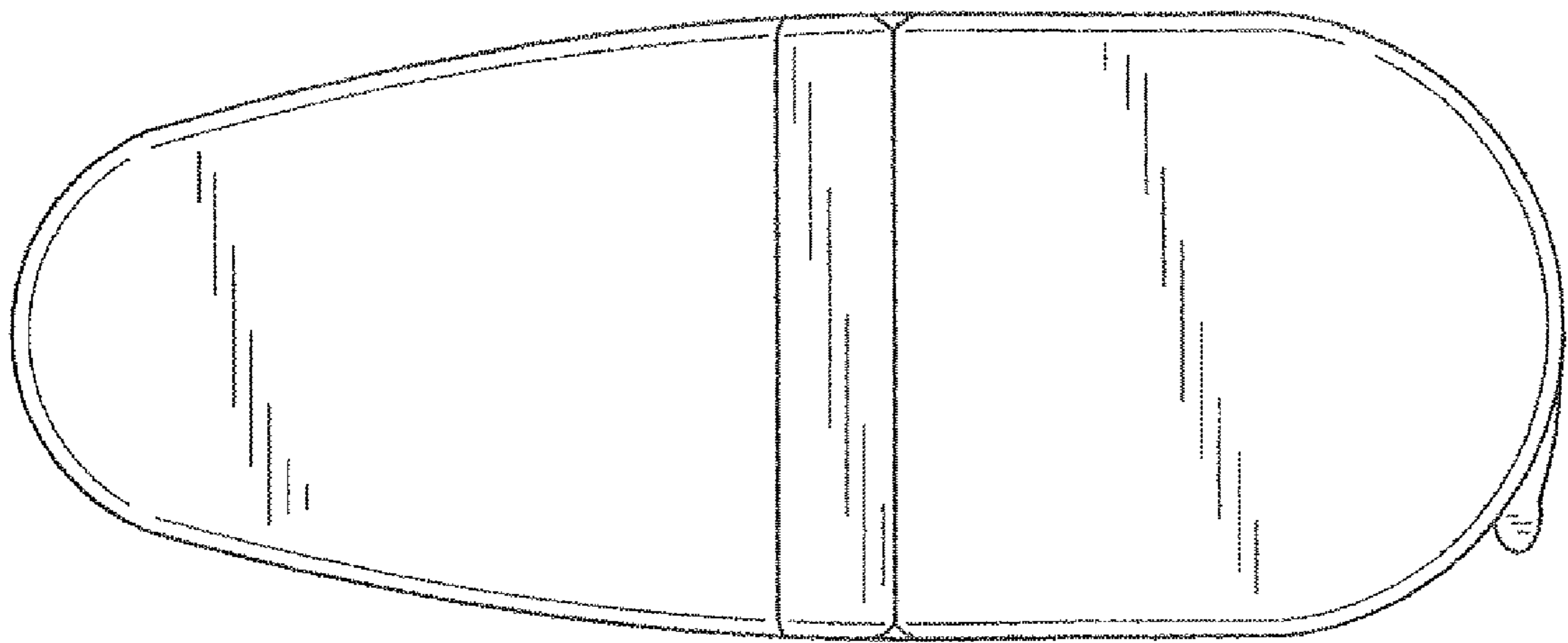


FIG. 5

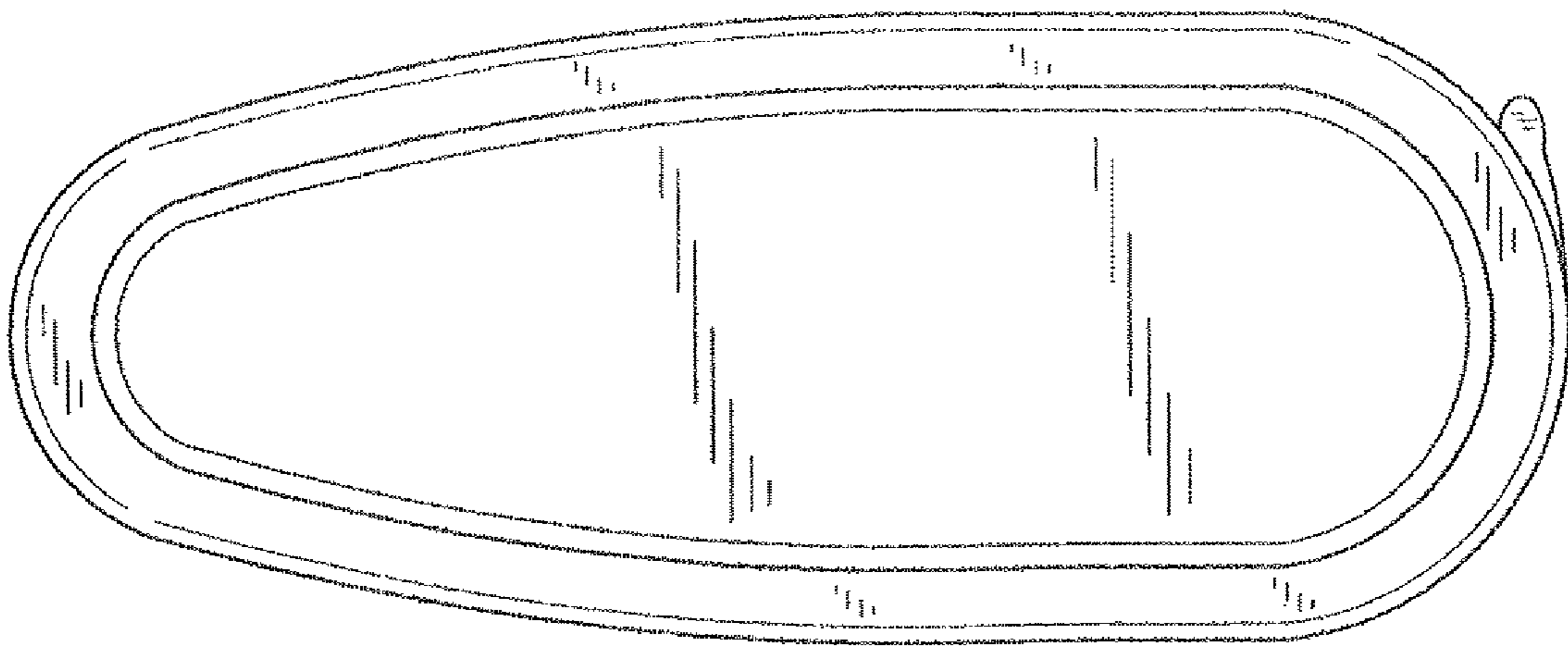


FIG. 6

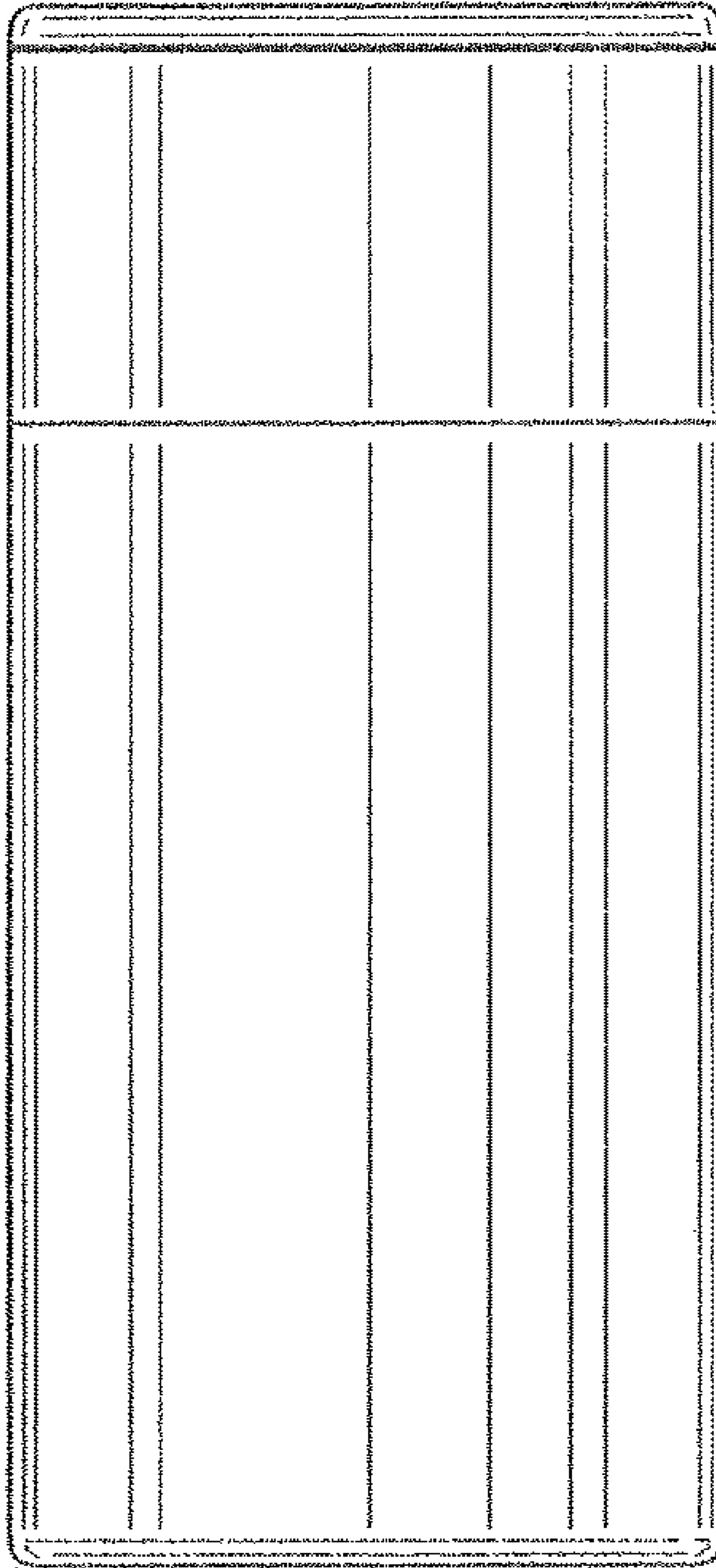


FIG. 7

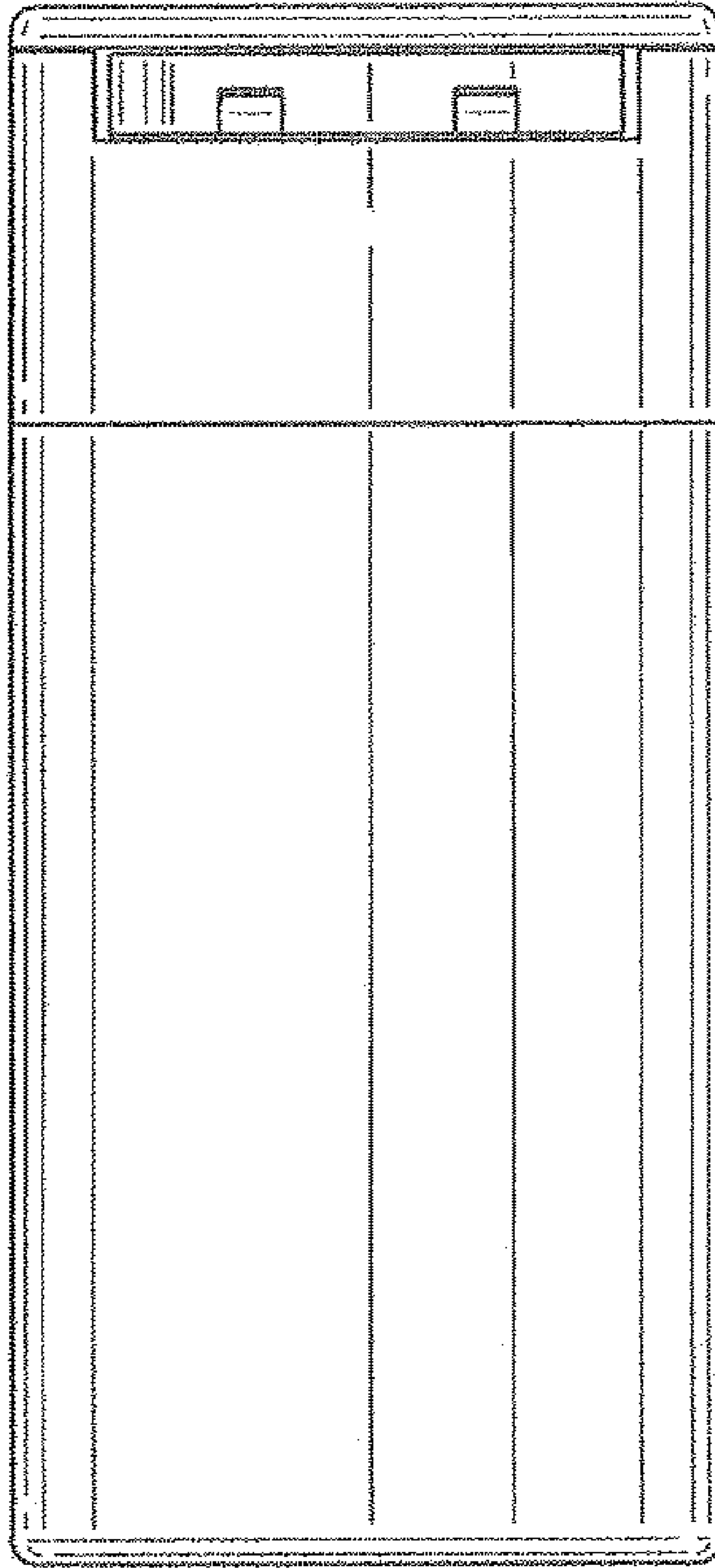


FIG. 8

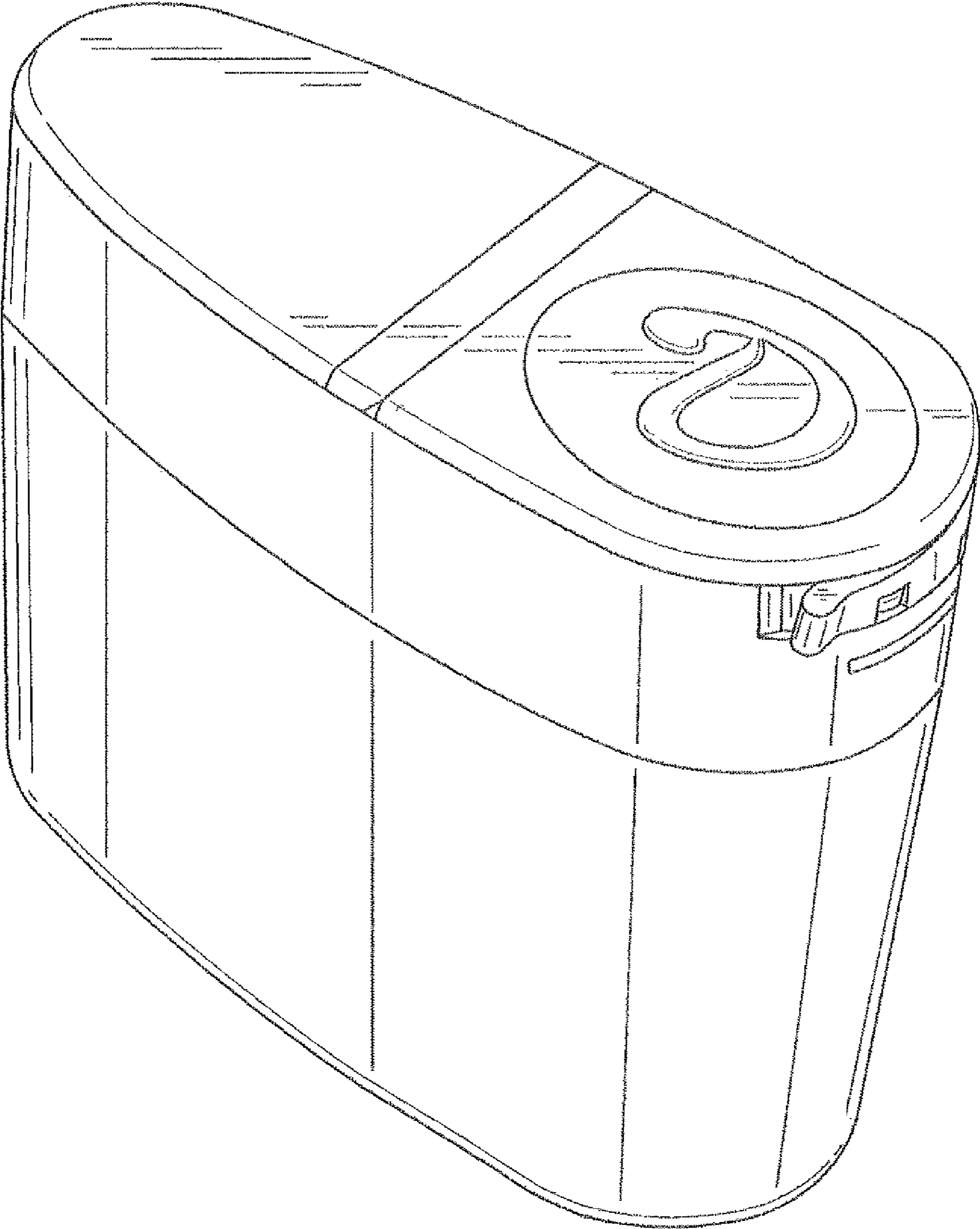


FIG. 9

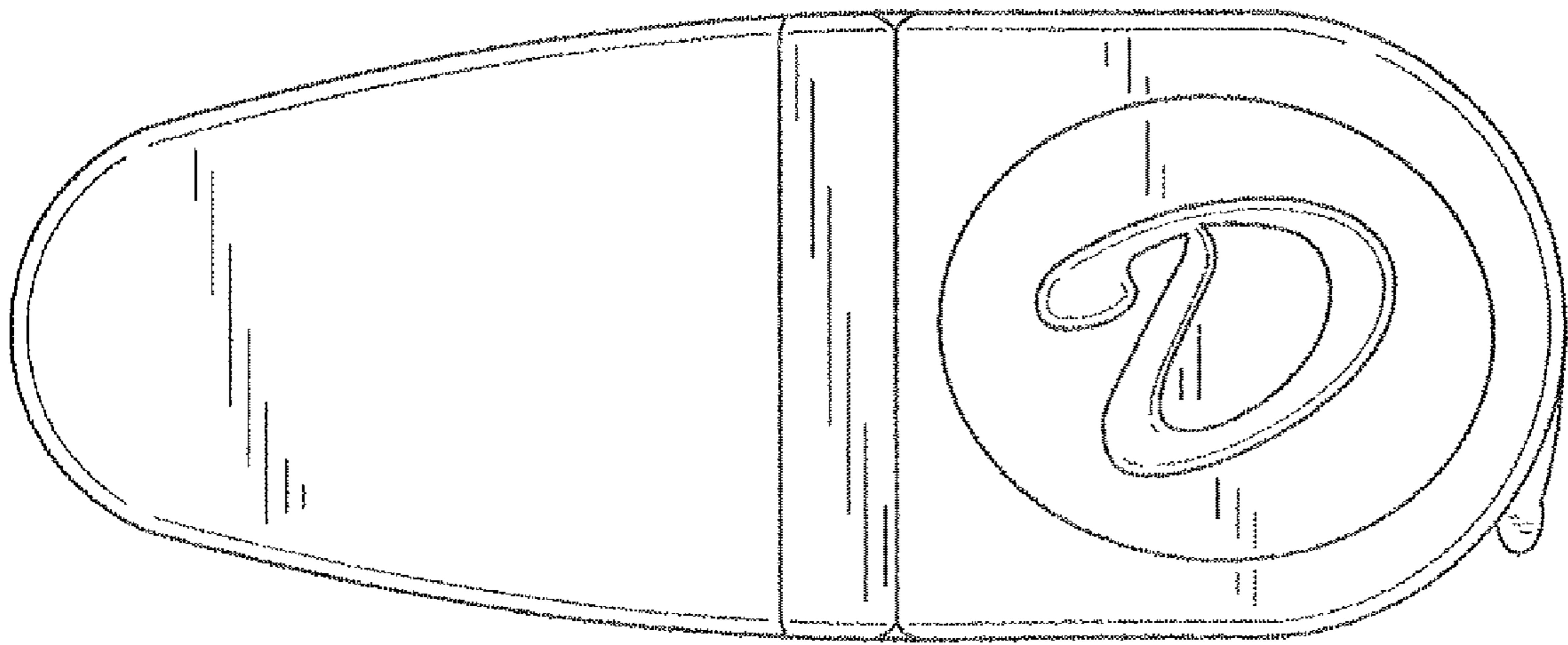


FIG. 10

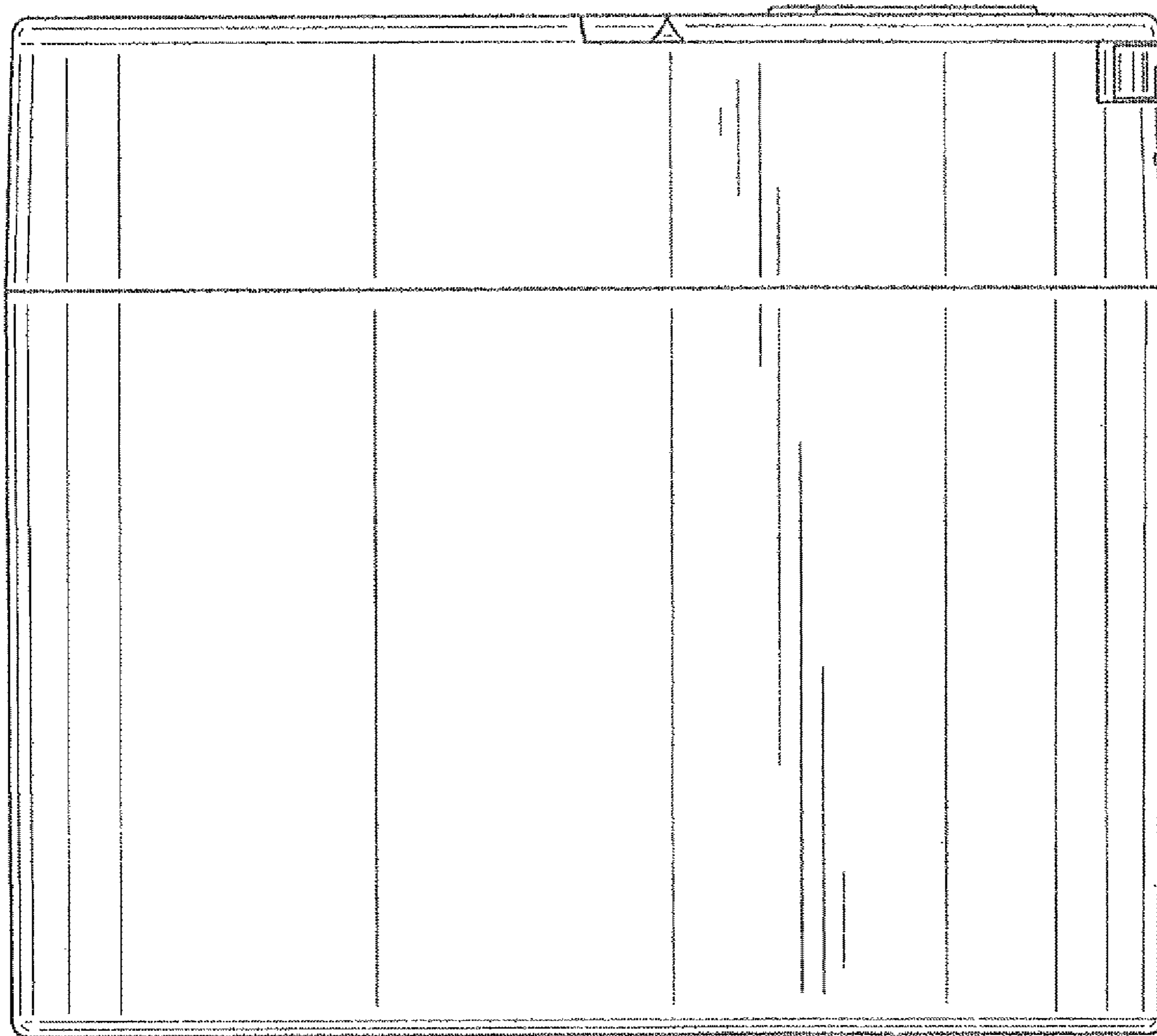


FIG. 11

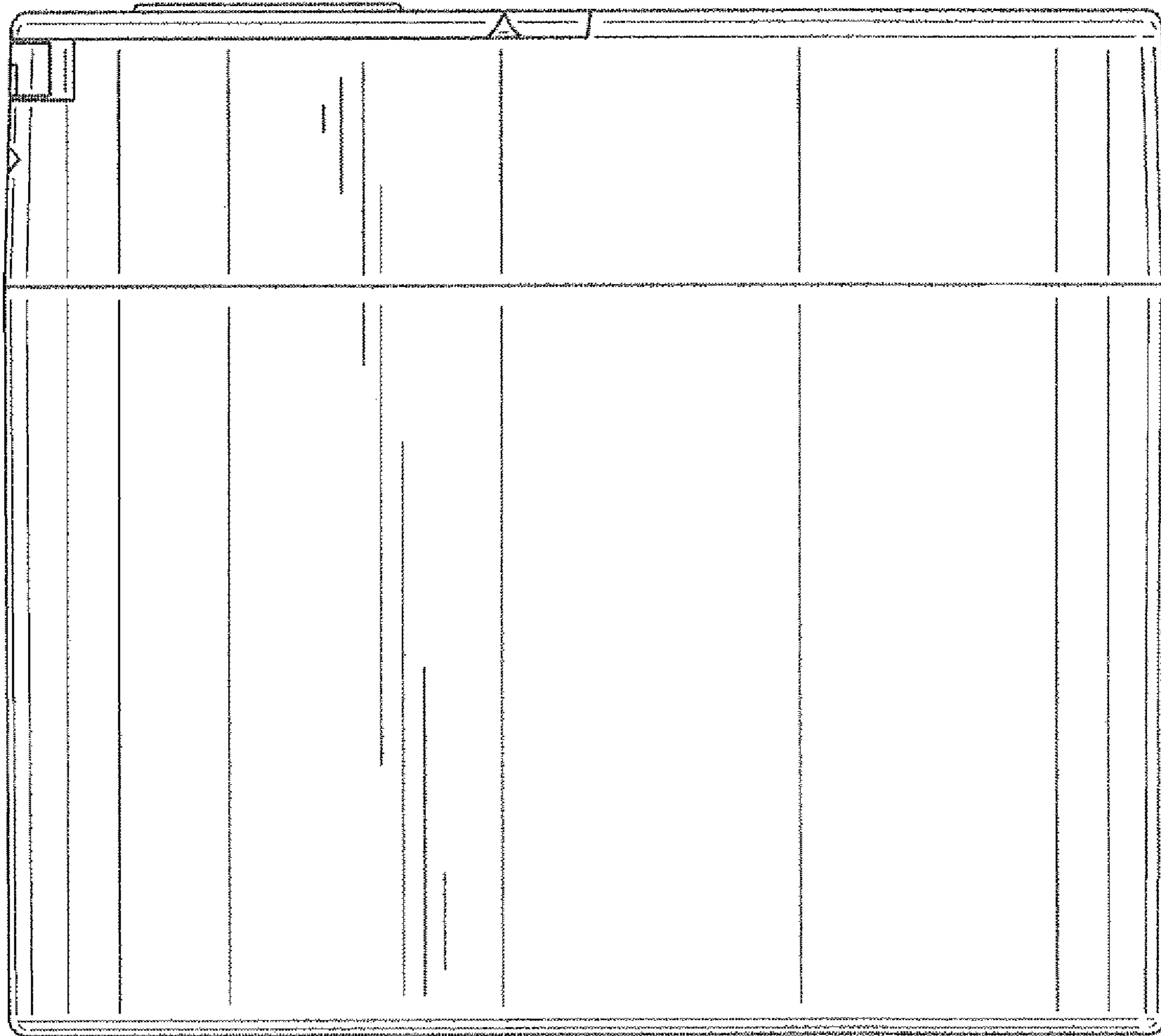


FIG. 12

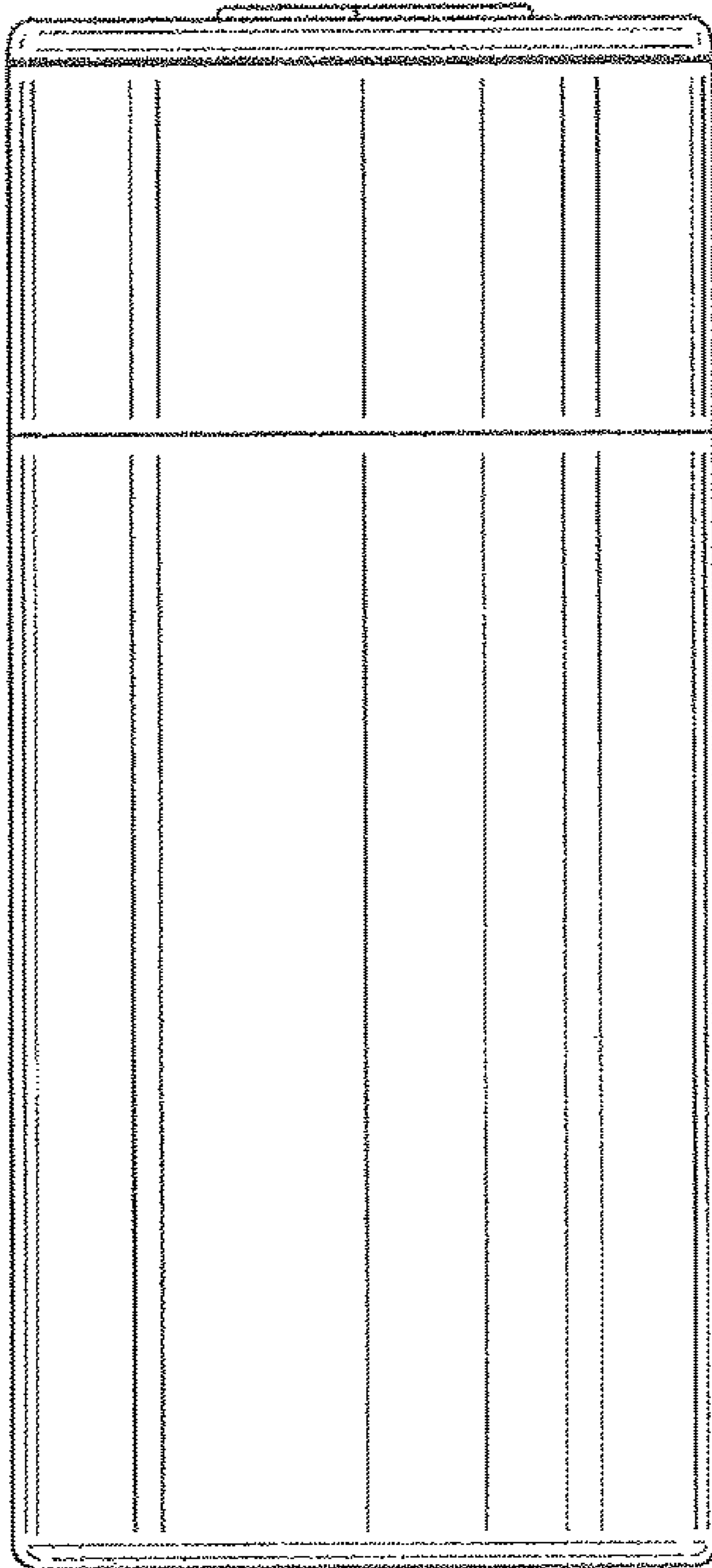


FIG. 13

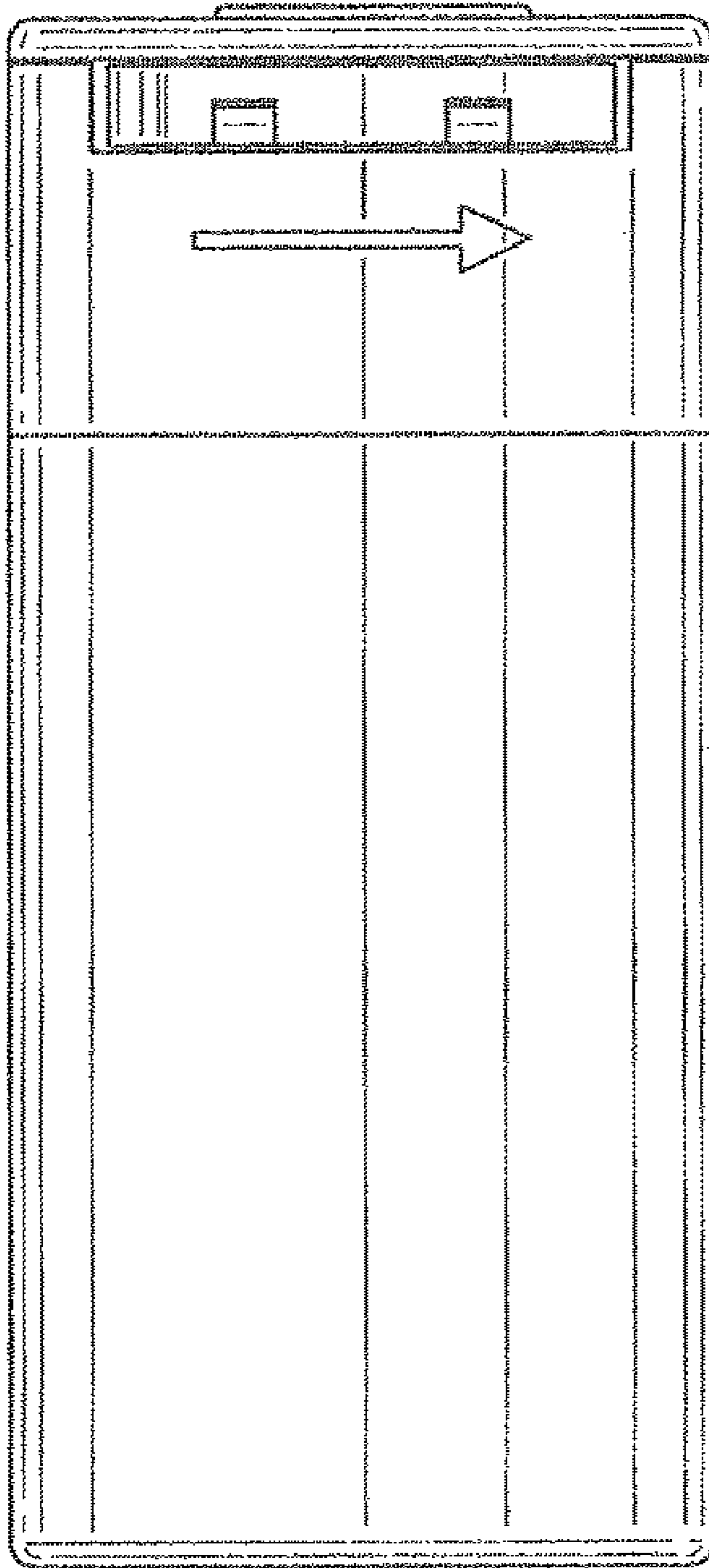


FIG. 14