



US00D613605S

(12) **United States Design Patent**
Pozzo di Borgo

(10) **Patent No.:** **US D613,605 S**
(45) **Date of Patent:** **** Apr. 13, 2010**

(54) **STAND FOR DISPLAYING BOTTLES**

(75) Inventor: **Pascal Robert Thomas Pozzo di Borgo**,
Vevey (CH)

(73) Assignee: **Societe Jas Hennessy & Co.**, Cognac
(FR)

(**) Term: **14 Years**

(21) Appl. No.: **29/308,463**

(22) Filed: **Jun. 18, 2008**

(30) **Foreign Application Priority Data**

Dec. 21, 2007 (EM) 000848528-0001

(51) **LOC (9) Cl.** **09-01**

(52) **U.S. Cl.** **D9/517**

(58) **Field of Classification Search** D9/414,
D9/415, 416, 419, 501, 516, 517, 518, 529,
D9/530, 531, 541-543, 548, 559, 560, 563,
D9/738, 739; 215/381-385

See application file for complete search history.

(56) **References Cited**

U.S. PATENT DOCUMENTS

838,031	A *	12/1906	Kirkpatrick	206/45.23
D91,073	S *	11/1933	Lackaye	D9/739
D92,782	S *	7/1934	Tourtois	D9/721
D117,560	S *	11/1939	Grullemans	D9/721
2,717,073	A *	9/1955	Young	229/120.24
D181,410	S *	11/1957	de Kulb	D9/739
D221,061	S *	7/1971	Ford	D9/739
D229,394	S *	11/1973	Givenchy	D9/739
D231,903	S *	6/1974	Berman	D9/739
D246,437	S *	11/1977	Grodin	D9/739
D267,150	S *	12/1982	Kinsell, Jr.	D9/416
D329,601	S *	9/1992	Samelson	D9/721
D329,808	S *	9/1992	Giraud	D9/415
5,582,293	A *	12/1996	Kay	206/457
D431,462	S *	10/2000	Menaged et al.	D9/416
D472,463	S *	4/2003	Kinigakis	D9/416

D503,614	S *	4/2005	Sax et al.	D9/416
D503,884	S *	4/2005	Camilleri-Oller et al.	D9/432
D572,581	S *	7/2008	Steele et al.	D9/418

OTHER PUBLICATIONS

U.S. Appl. No. 29/308,460, filed Jun. 18, 2008.

* cited by examiner

Primary Examiner—Stella M Reid

Assistant Examiner—Elizabeth J Oswecki

(74) *Attorney, Agent, or Firm*—Fross Zelnick Lehrman &
Zissu, P.C.; Lawrence E. Apolzon, Esq.

(57) **CLAIM**

The ornamental design for a stand for displaying bottles, as shown and described.

DESCRIPTION

FIG. 1 is a front perspective view of a stand for displaying bottles, shown in a closed position, showing my new design;

FIG. 2 is a rear perspective view thereof;

FIG. 3 is a front perspective view of a stand for displaying bottles, shown in a quarter-open position;

FIG. 4 is a right side view of a stand for displaying bottles, shown in an open position;

FIG. 5 is a front perspective view of a stand for displaying bottles, shown in another open position;

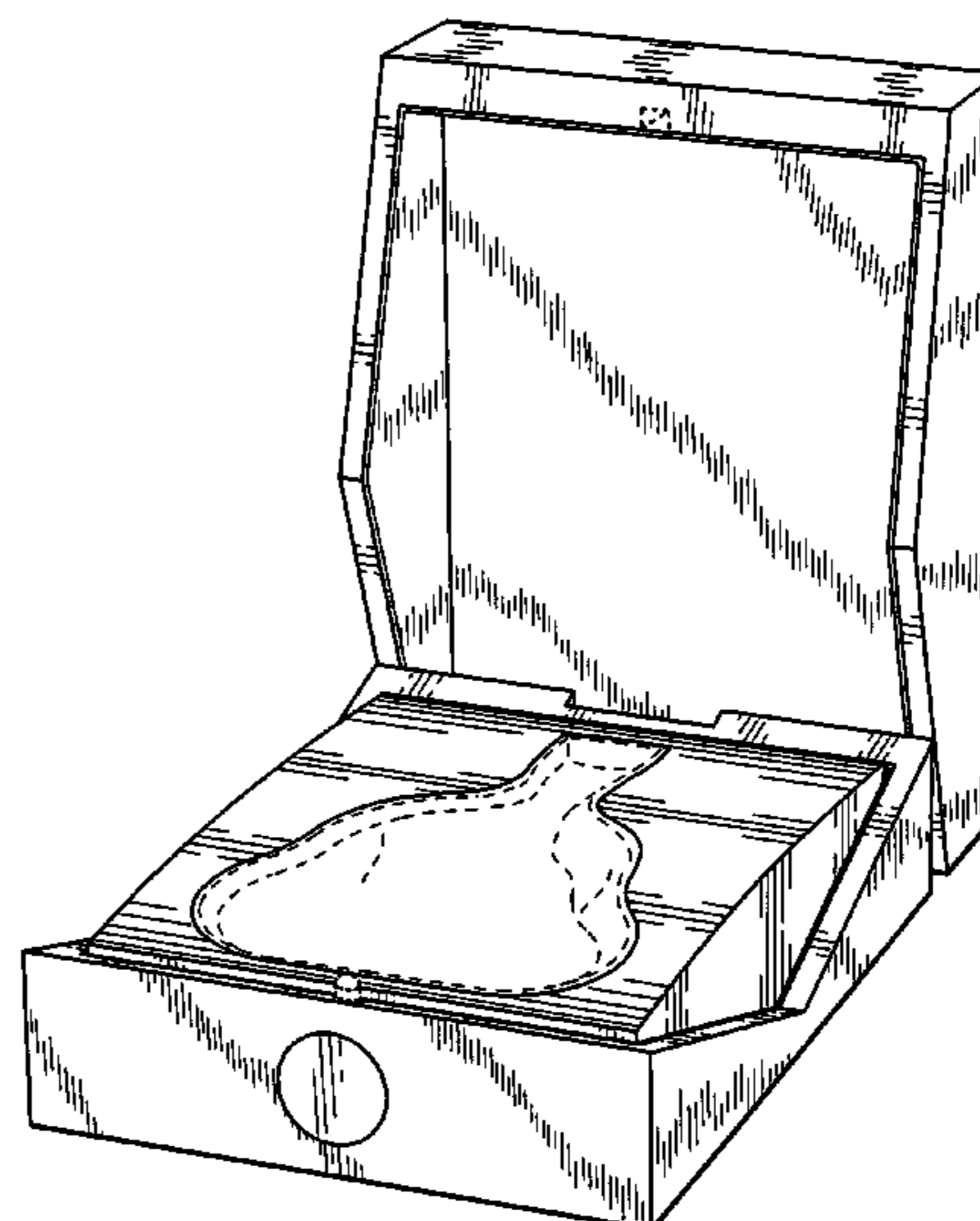
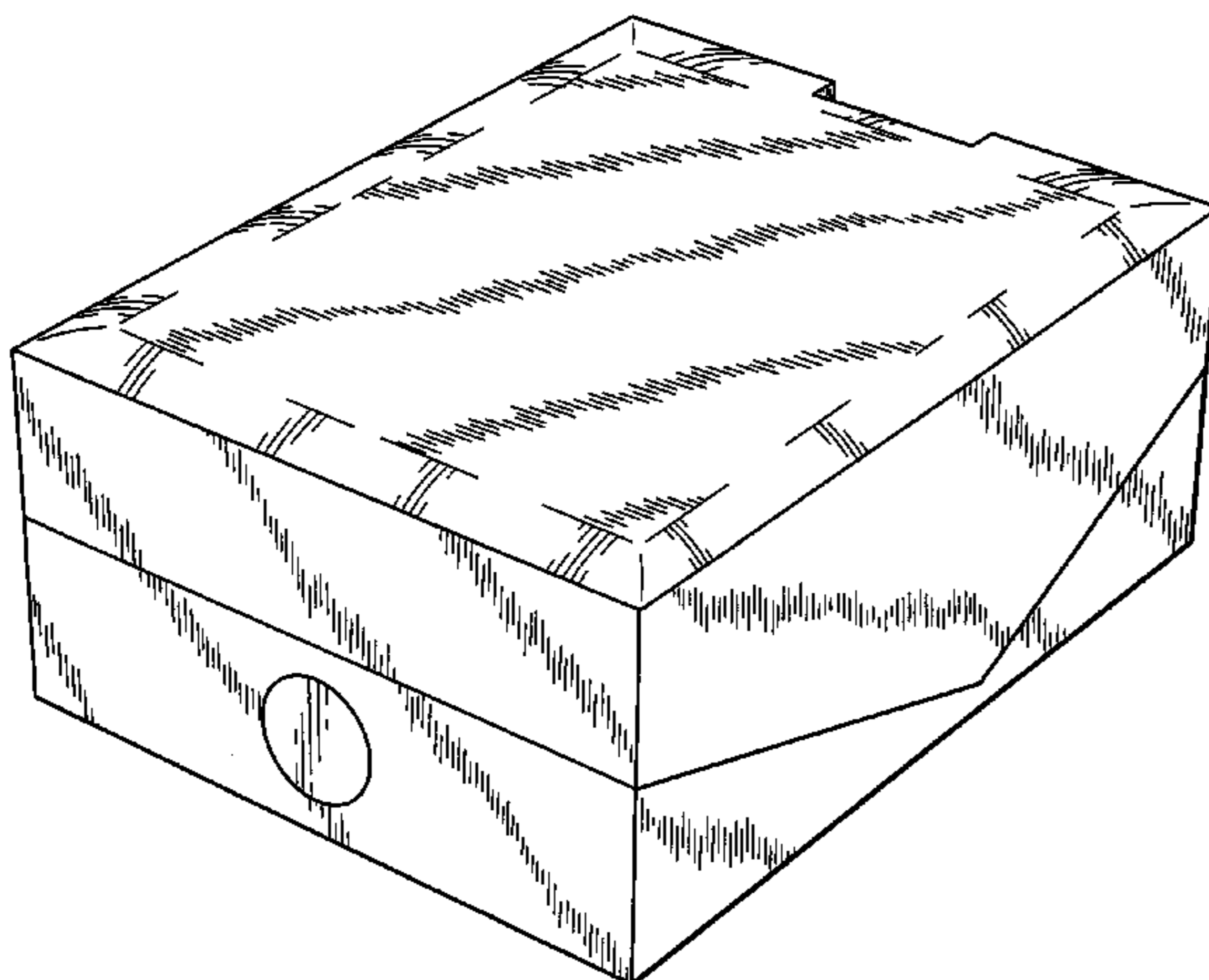
FIG. 6 is a right side view of a stand for displaying bottles, shown in another open position with the left side view being a mirror image thereof; and,

FIG. 7 is a rear perspective view of a stand for displaying bottles, shown in another open position.

The bottom of the stand is plain and unornamented.

The broken line showing of the interior of the bottle display area in FIGS. 3-7 is for illustrative purposes only and forms no part of the claimed design.

1 Claim, 7 Drawing Sheets



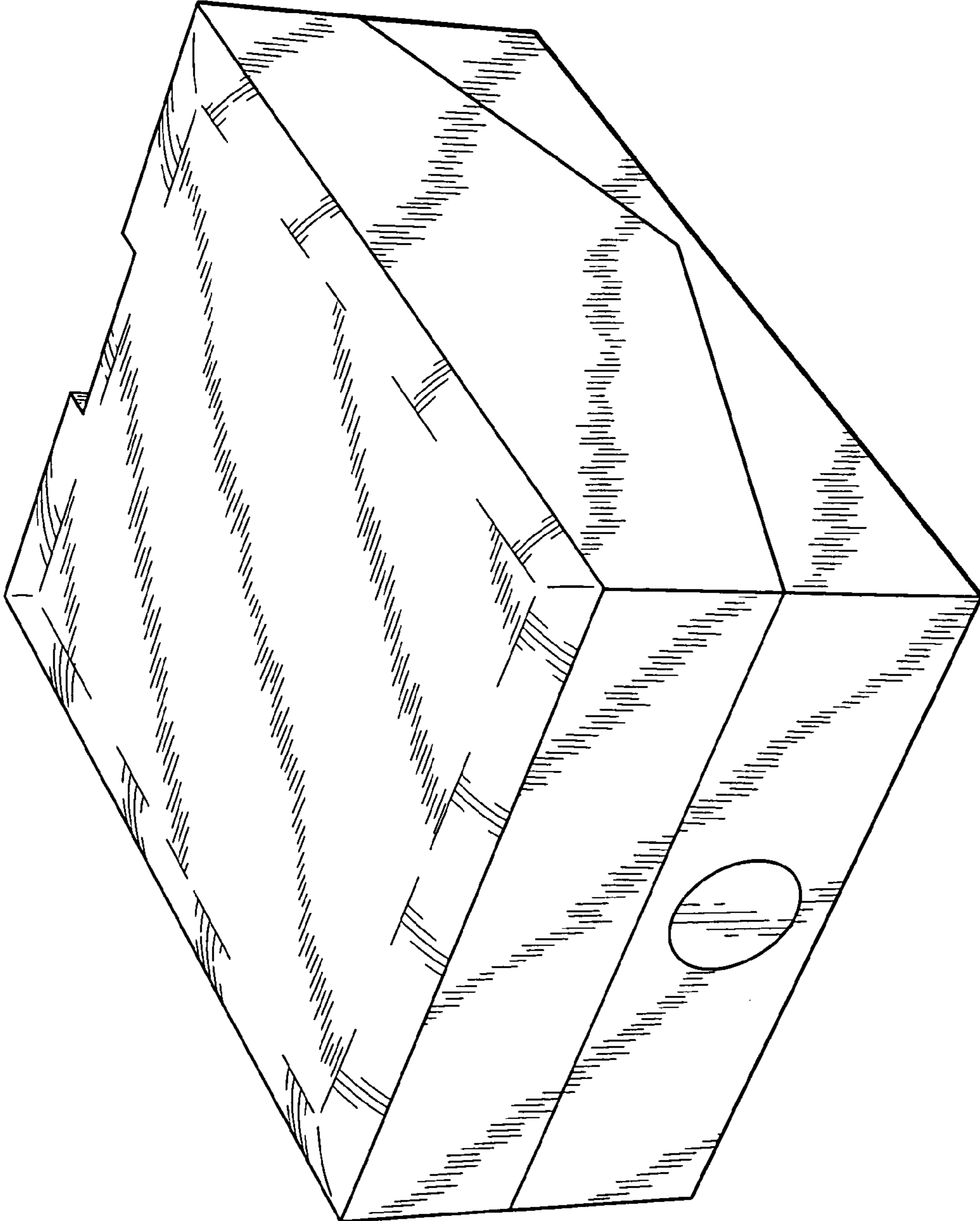


FIG. 1

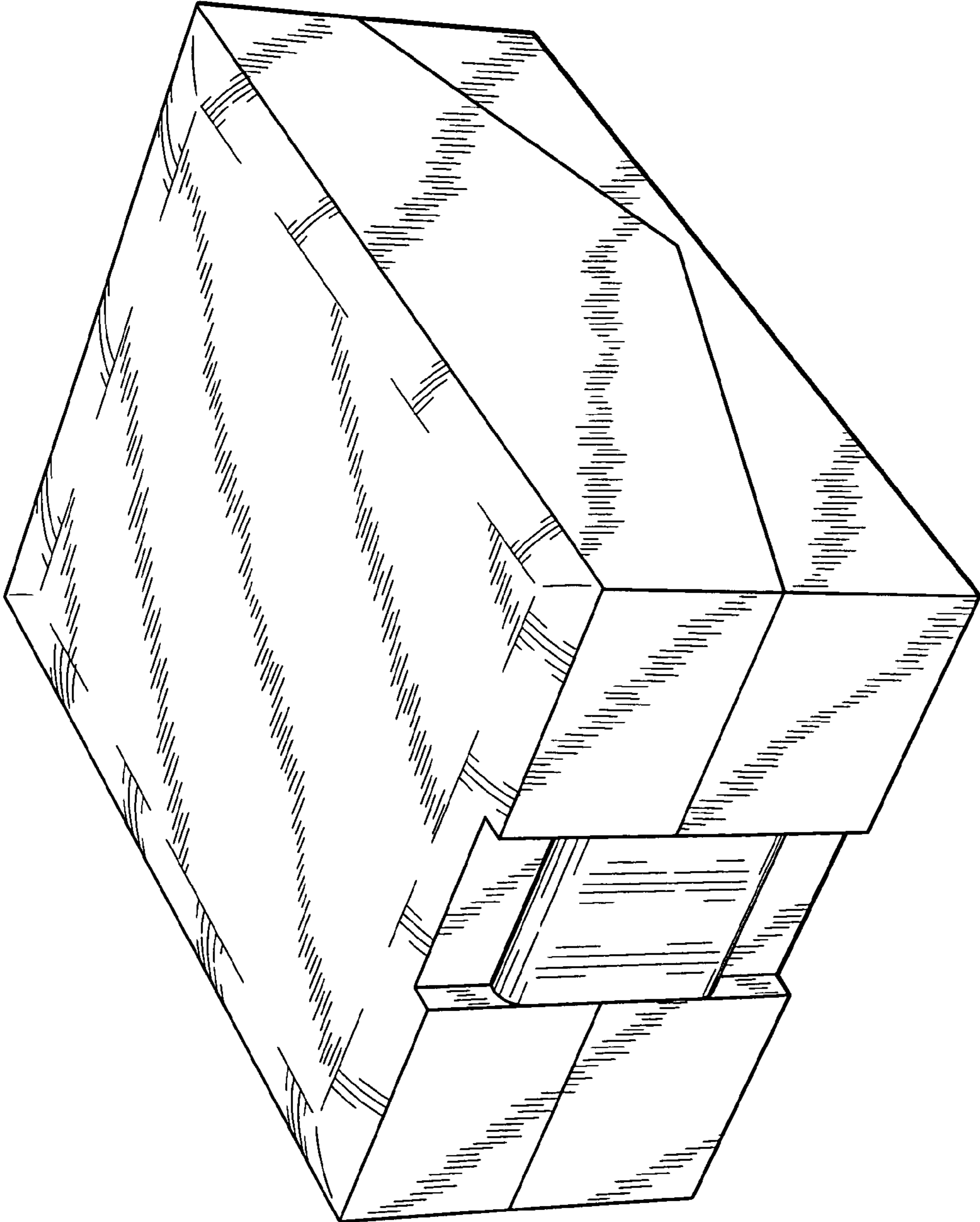


FIG. 2

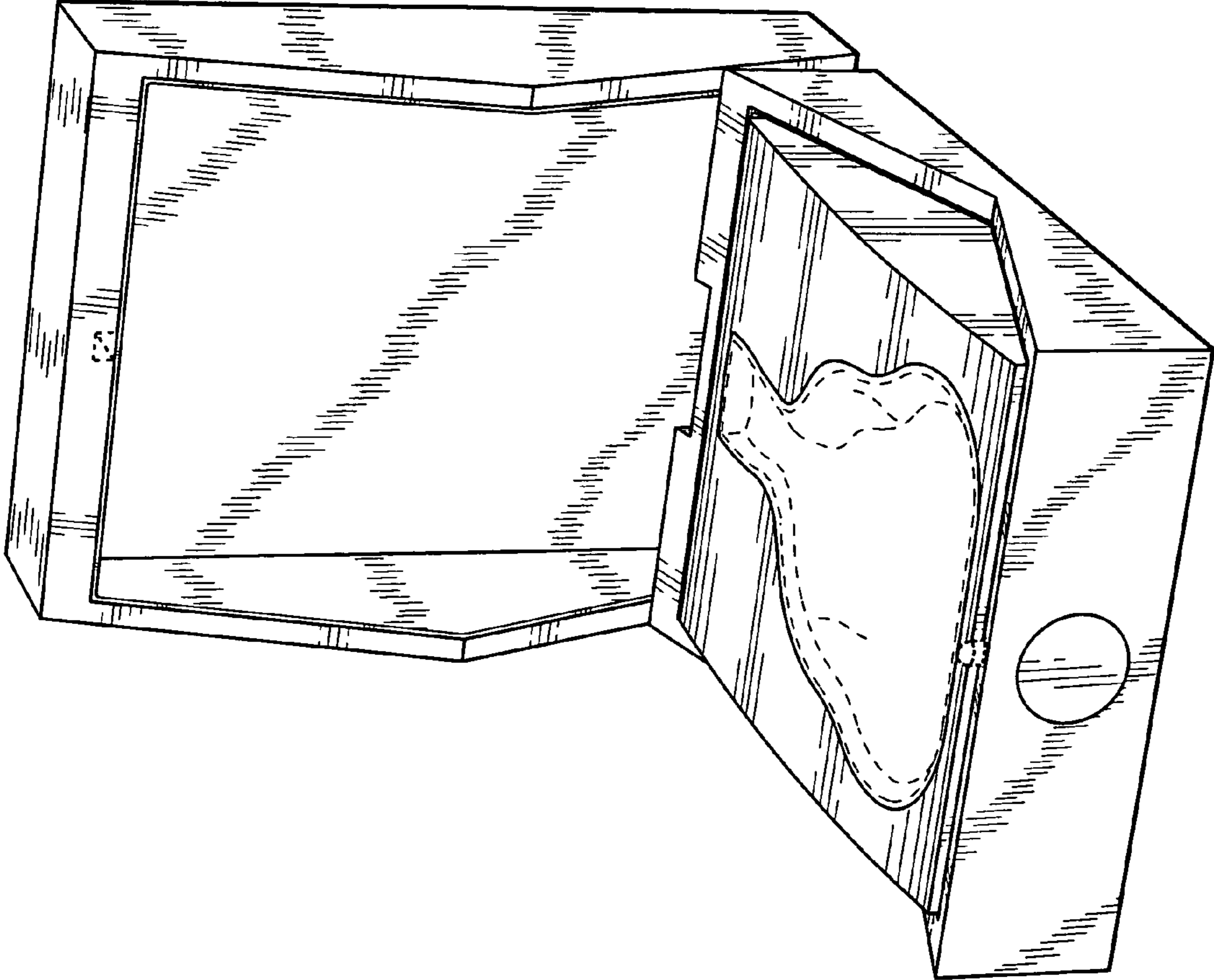


FIG. 3

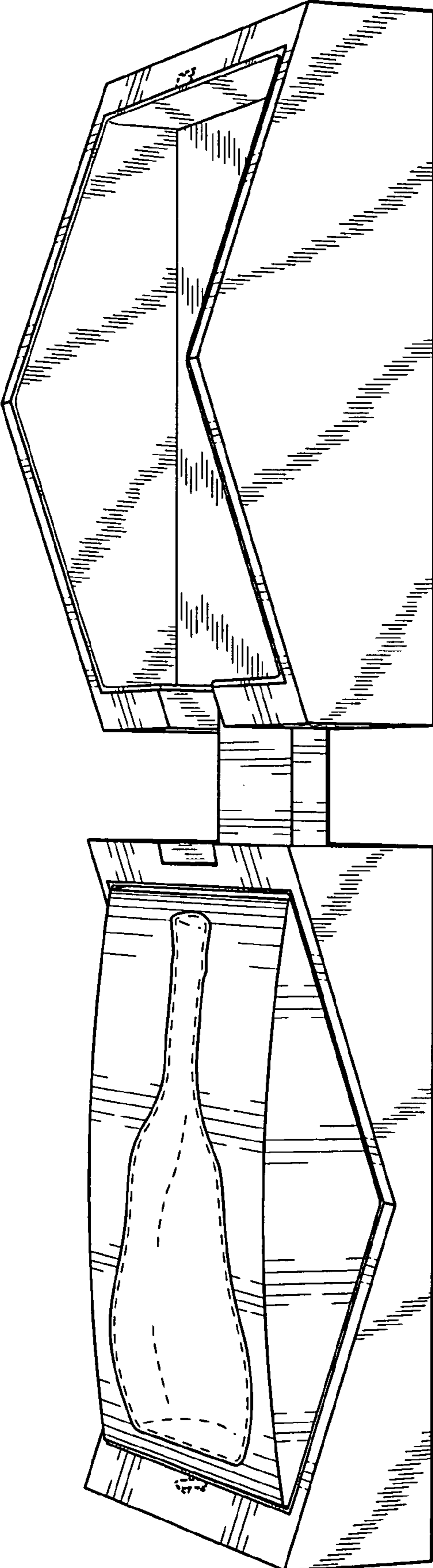


FIG. 4

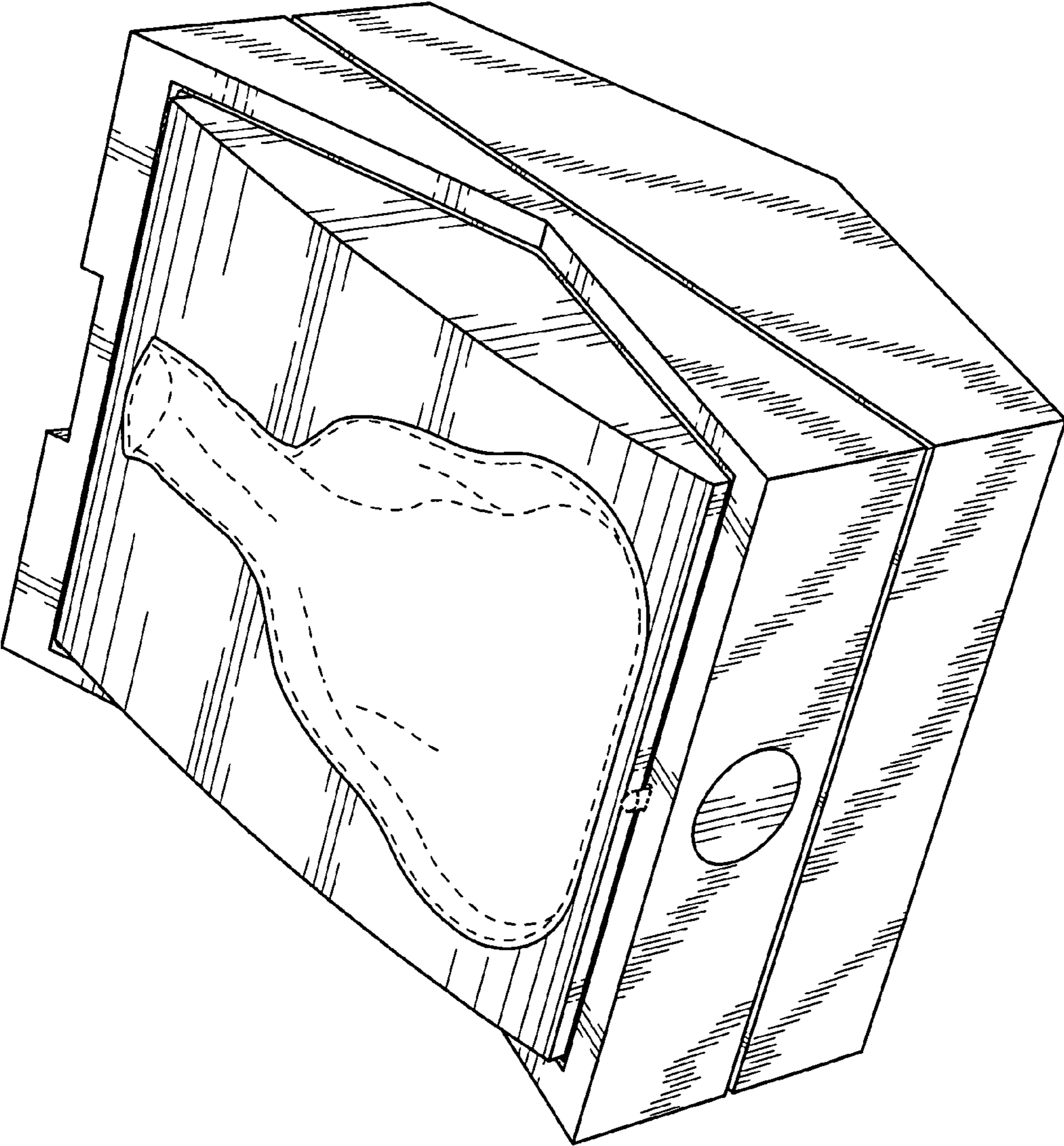


FIG. 5

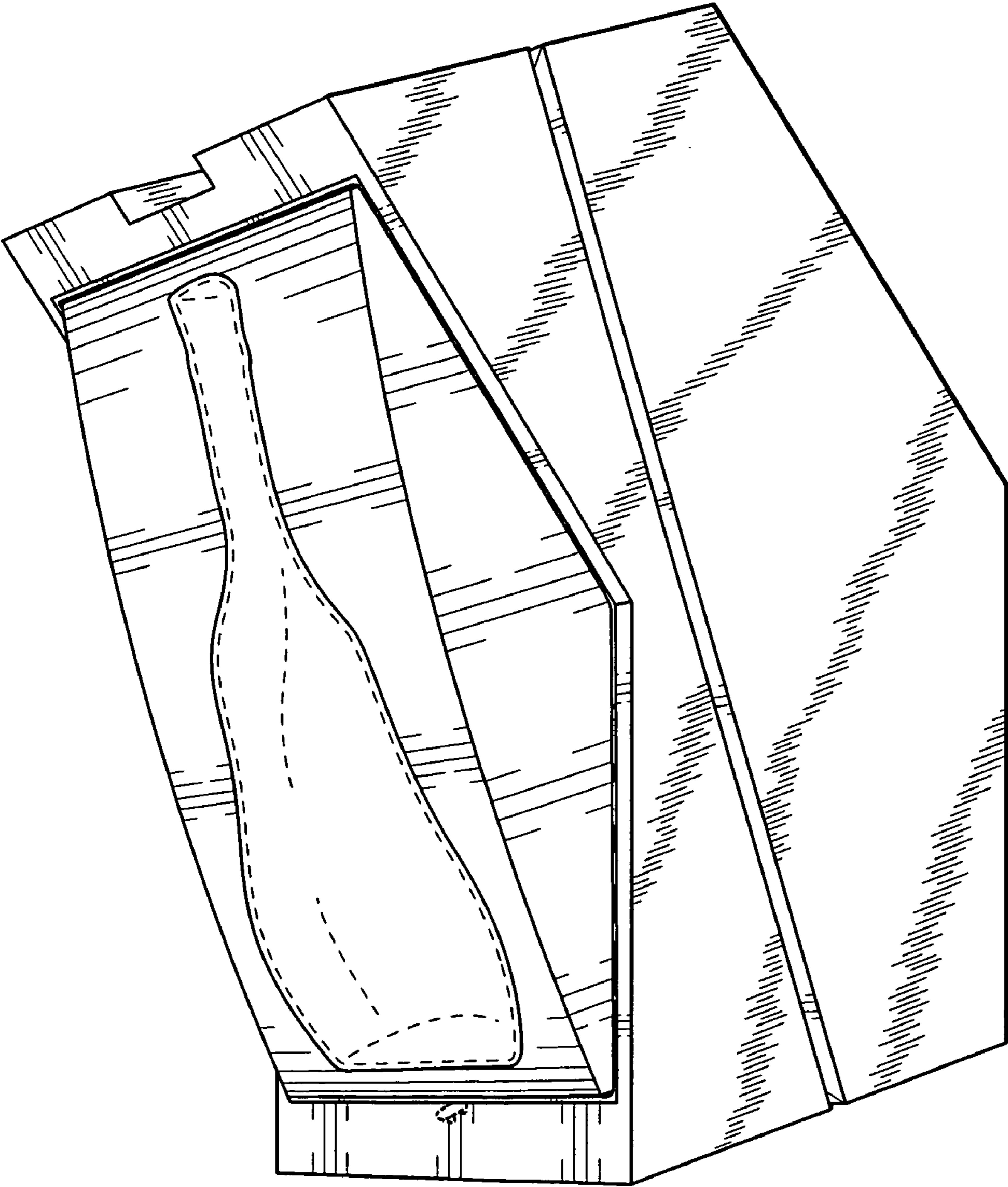


FIG. 6

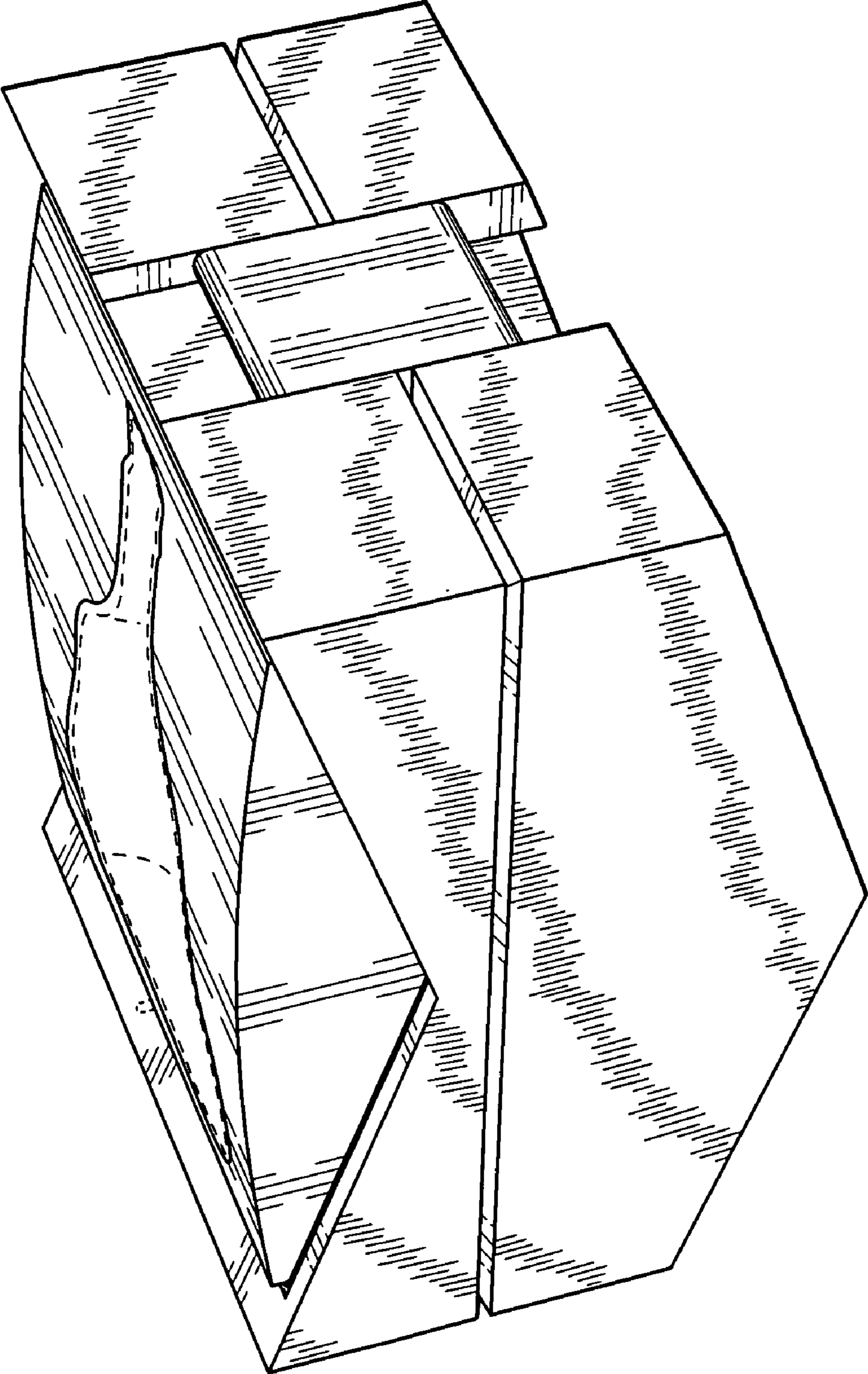


FIG. 7