



US00D613603S

(12) **United States Design Patent**
Rowland et al.

(10) **Patent No.:** **US D613,603 S**
(45) **Date of Patent:** **** *Apr. 13, 2010**

(54) **CONTAINER**

(75) Inventors: **Aileen Rowland**, Sag Harbour, NY (US); **Anil Kalyanpur**, Edison, NJ (US); **John Cadenhead**, Jersey City, NJ (US); **Lynne Florio**, New York, NY (US)

(73) Assignee: **La Prairie, Inc.**, New York, NY (US)

(**) Term: **14 Years**

(21) Appl. No.: **29/327,242**

(22) Filed: **Nov. 3, 2008**

(51) **LOC (9) Cl.** **09-01**

(52) **U.S. Cl.** **D9/504**

(58) **Field of Classification Search** D9/500,
D9/502-504, 516, 549, 558, 686, 688-691;
D28/82, 91; 215/379, 381-382; 220/660,
220/662, 665, 669-673, 675

See application file for complete search history.

(56) **References Cited**

U.S. PATENT DOCUMENTS

D252,612 S *	8/1979	Mull	D24/224
D483,265 S *	12/2003	Maffei	D9/500
D509,434 S *	9/2005	Haruta	D9/504
D522,378 S *	6/2006	Honda	D9/689
D522,695 S *	6/2006	Desdoigts	D28/82
D539,480 S	3/2007	Kostow		
D554,763 S *	11/2007	Gerretz	D24/224
D554,764 S *	11/2007	Gerretz et al.	D24/224
D561,943 S *	2/2008	Desdoigts	D28/82
D595,577 S *	7/2009	Uneno	D9/504
D595,578 S *	7/2009	Del Tedesco Zamberlan et al.	D9/504

OTHER PUBLICATIONS

Carita, International Trademark Registration No. 0986248, registered Sep. 26, 2008.

Carita, Community Design Registration No. 000745039-0001, registered Jun. 22, 2007.

Bourjois, US Trademark Application U.S. Appl. No. 79/003,785 (filed Jun. 4, 2004).

Paco Rabanne Parfums, US Trademark Registration No. 2,475,103 (registered Aug. 7, 2001).

Global Cosmetic Company, US Trademark U.S. Appl. No. 78/314,903 (filed Oct. 17, 2003).

L'oreal USA Creative, Inc., US Trademark Registration No. 1,111,575 (registered Jan. 23, 1979).

Lasalle Business Credit, LLC, US Trademark Registration No. 1,639,407 (registered Mar. 26, 1991).

Paco Rabanne Parfums, US Trademark Registration No. 2,653,098 (registered Nov. 26, 2002).

Beiersdorf AG, US Trademark U.S. Appl. No. 79/059,122 filed Jul. 7, 2008).

Mauboussin SA US Trademark Registration No. 2,657,937 (registered Dec. 10, 2002).

Yves Saint Laurent Parfums S.A US Trademark Registration No. 1,847,532 (registered Aug. 2, 1994).

Crystal Clear International Limited, US Trademark Registration No. 2,971,720 (registered Jul. 19, 2005).

Reckitt Benckiser N.V., US Trademark U.S. Appl. No. 77/300,104 (filed Oct. 10, 2007).

* cited by examiner

Primary Examiner—Ian Simmons

Assistant Examiner—Dana L Sipos

(74) *Attorney, Agent, or Firm*—Sonnenschein Nath & Rosenthal LLP

(57) **CLAIM**

The ornamental design for the container, as shown and described.

DESCRIPTION

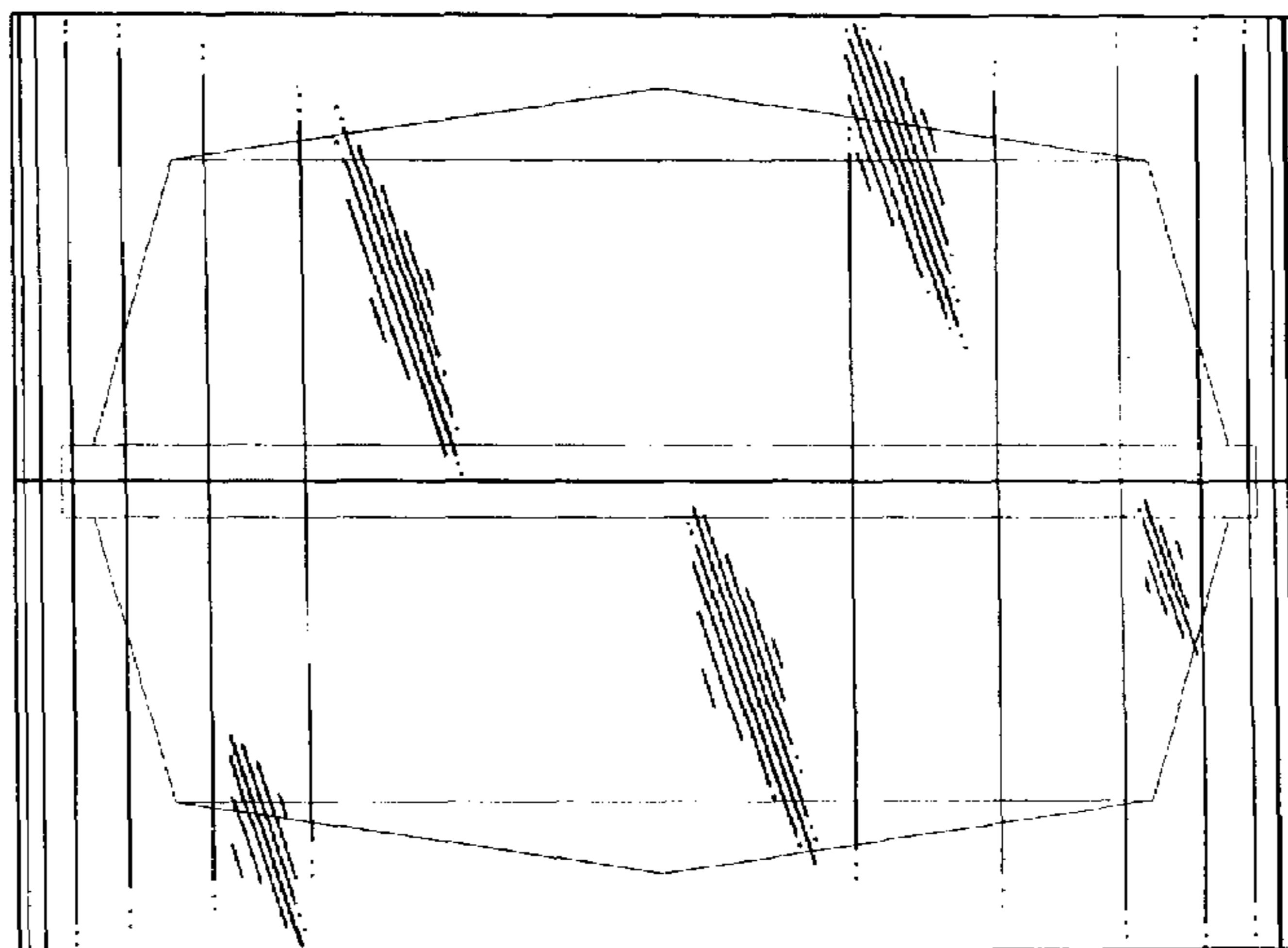
FIG. 1 is a perspective view of the container;

FIG. 2 is a front view of the container;

FIG. 3 is a top view of the container; and,

FIG. 4 is a bottom view of the container.

1 Claim, 3 Drawing Sheets



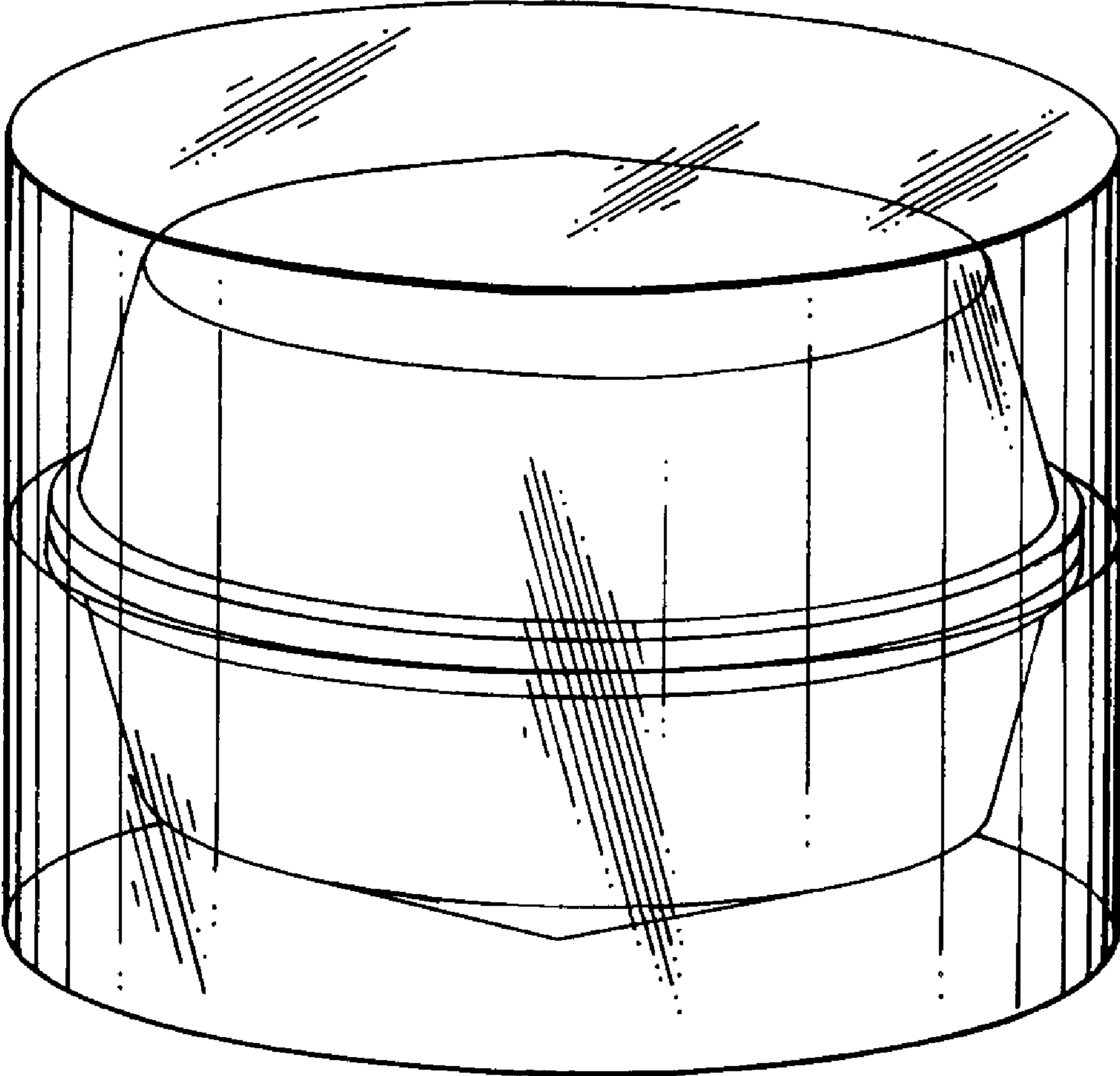


FIG. 1

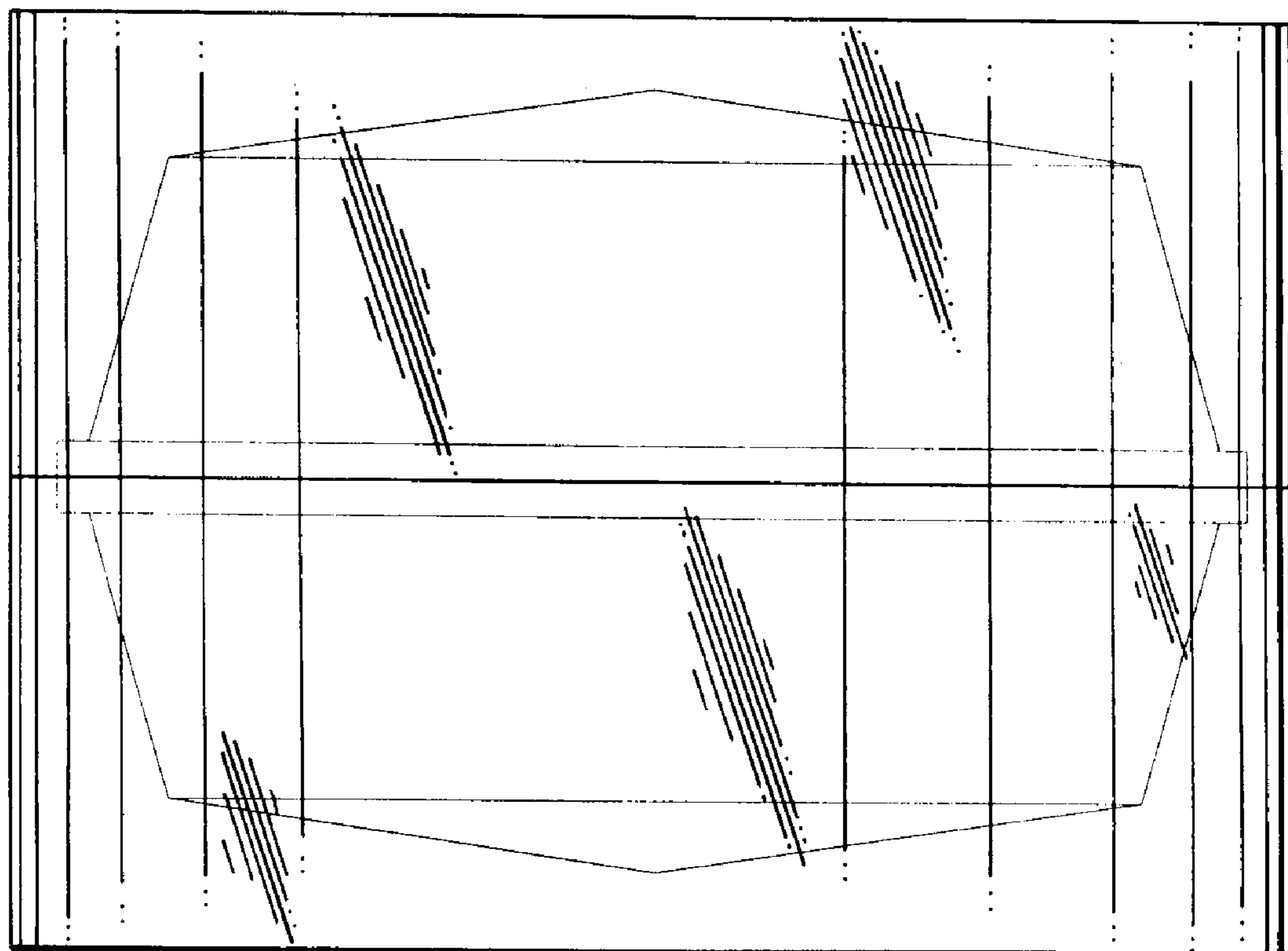


FIG. 2

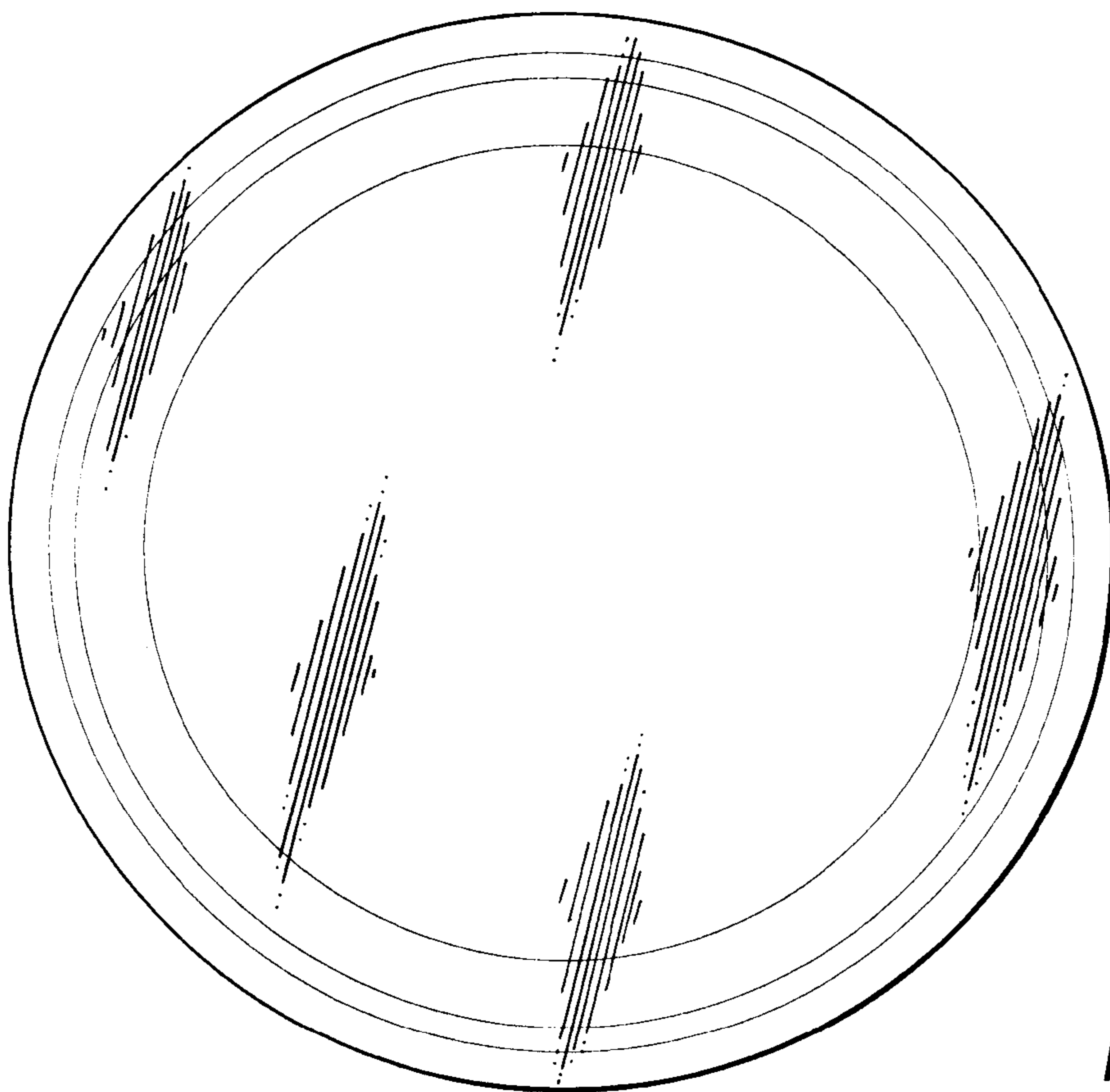


FIG. 3

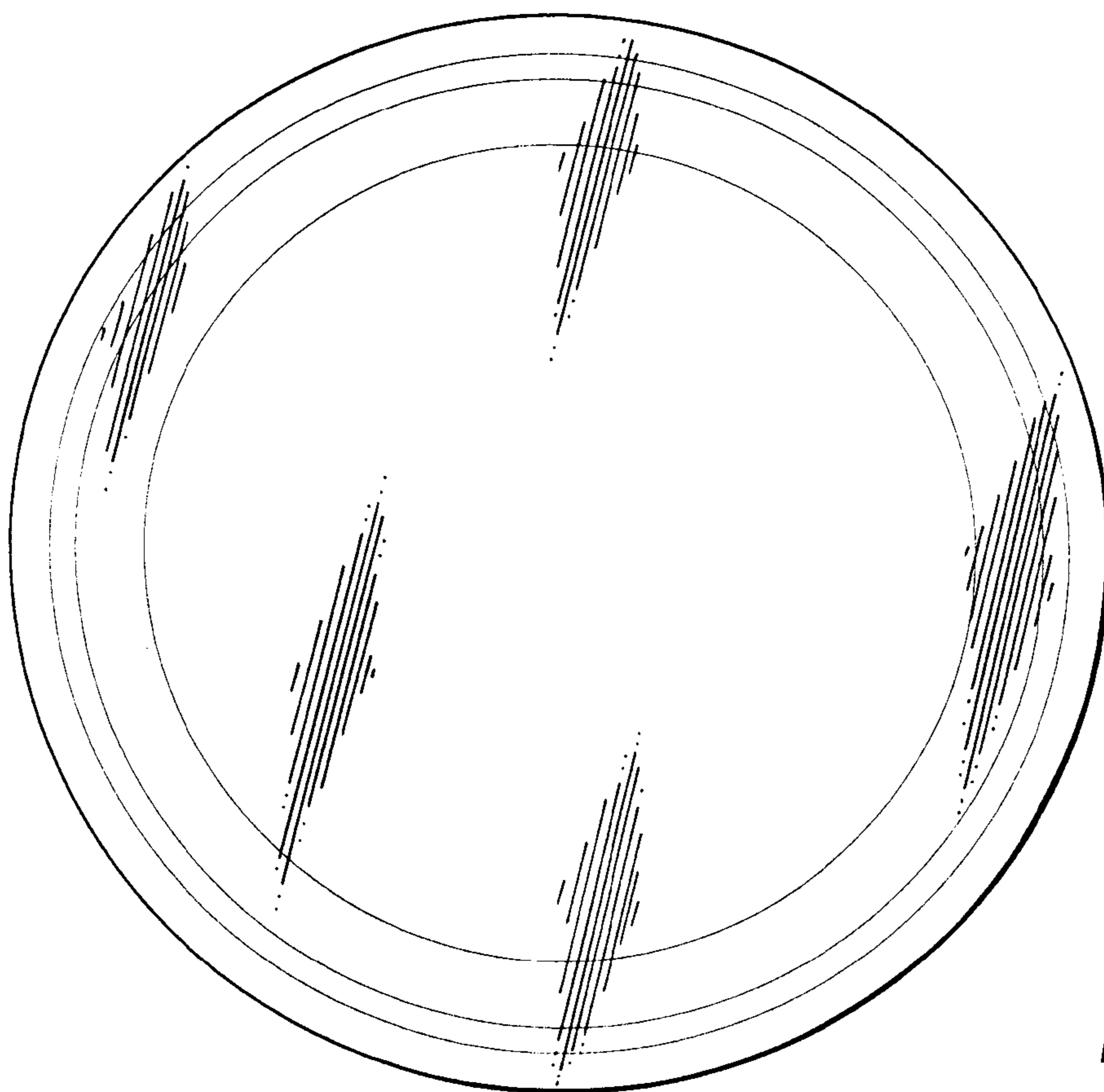


FIG. 4