



US00D613600S

(12) **United States Design Patent**
David

(10) **Patent No.:** **US D613,600 S**

(45) **Date of Patent:** **** Apr. 13, 2010**

(54) **AEROSOL CAN STAND**

(76) **Inventor:** **Yisroel M David**, 1315 Gateway Blvd.,
Far Rockaway, NY (US) 11691

(**) **Term:** **14 Years**

(21) **Appl. No.:** **29/303,858**

(22) **Filed:** **Feb. 19, 2008**

(51) **LOC (9) Cl.** **09-07**

(52) **U.S. Cl.** **D9/456**

(58) **Field of Classification Search** D9/705,
D9/635, 520, 517, 516, 456, 455, 454, 452,
D9/444, 445, 438, 436, 435, 434, 433, 432,
D9/416, 499; D26/51; 428/138; 362/101;
229/404, 128, 110, 103.3; 220/630; 206/776,
206/755, 754, 583, 522, 453, 390, 232; D8/396,
D8/394, 382; D7/624.2, 602; D23/262;
D11/86

See application file for complete search history.

(56) **References Cited**

U.S. PATENT DOCUMENTS

D25,709 S *	6/1896	Pratt	D23/262
2,683,579 A *	7/1954	Wallace	248/146
3,217,917 A *	11/1965	George	215/386
3,402,844 A *	9/1968	Chin	215/393
3,419,240 A *	12/1968	Santic	220/632
3,753,205 A *	8/1973	Tuger	439/192
3,915,534 A *	10/1975	Yonkers	439/95
4,907,712 A *	3/1990	Stempin	
5,143,247 A *	9/1992	Gavle	220/630
5,178,354 A *	1/1993	Engvall	
5,209,992 A *	5/1993	Feres	429/86

5,281,878 A *	1/1994	Schaeffer	310/91
5,385,257 A *	1/1995	Hung	220/324
5,413,502 A *	5/1995	Wang	439/551
5,842,675 A *	12/1998	Davitt	248/346.5
D417,847 S *	12/1999	Rush et al.	D9/454
D474,404 S *	5/2003	Tropeano	D9/455
D480,969 S *	10/2003	Owens	D9/455
D515,353 S *	2/2006	Martin	D7/392.1
D534,796 S *	1/2007	Falkenburg	D9/434
D571,199 S *	6/2008	Petrosino et al.	D9/435
D571,440 S *	6/2008	Kanao	D23/262
D579,514 S *	10/2008	Kelps	D23/206
D589,126 S *	3/2009	Concannon	D23/262

* cited by examiner

Primary Examiner—Susan Bennett Hattan
(74) *Attorney, Agent, or Firm*—Crossley Patent Law; Mark A. Crossley

(57) **CLAIM**

The ornamental design for an aerosol can stand, as shown and described.

DESCRIPTION

FIG. 1 is a top plan view of an aerosol can stand showing my new design;

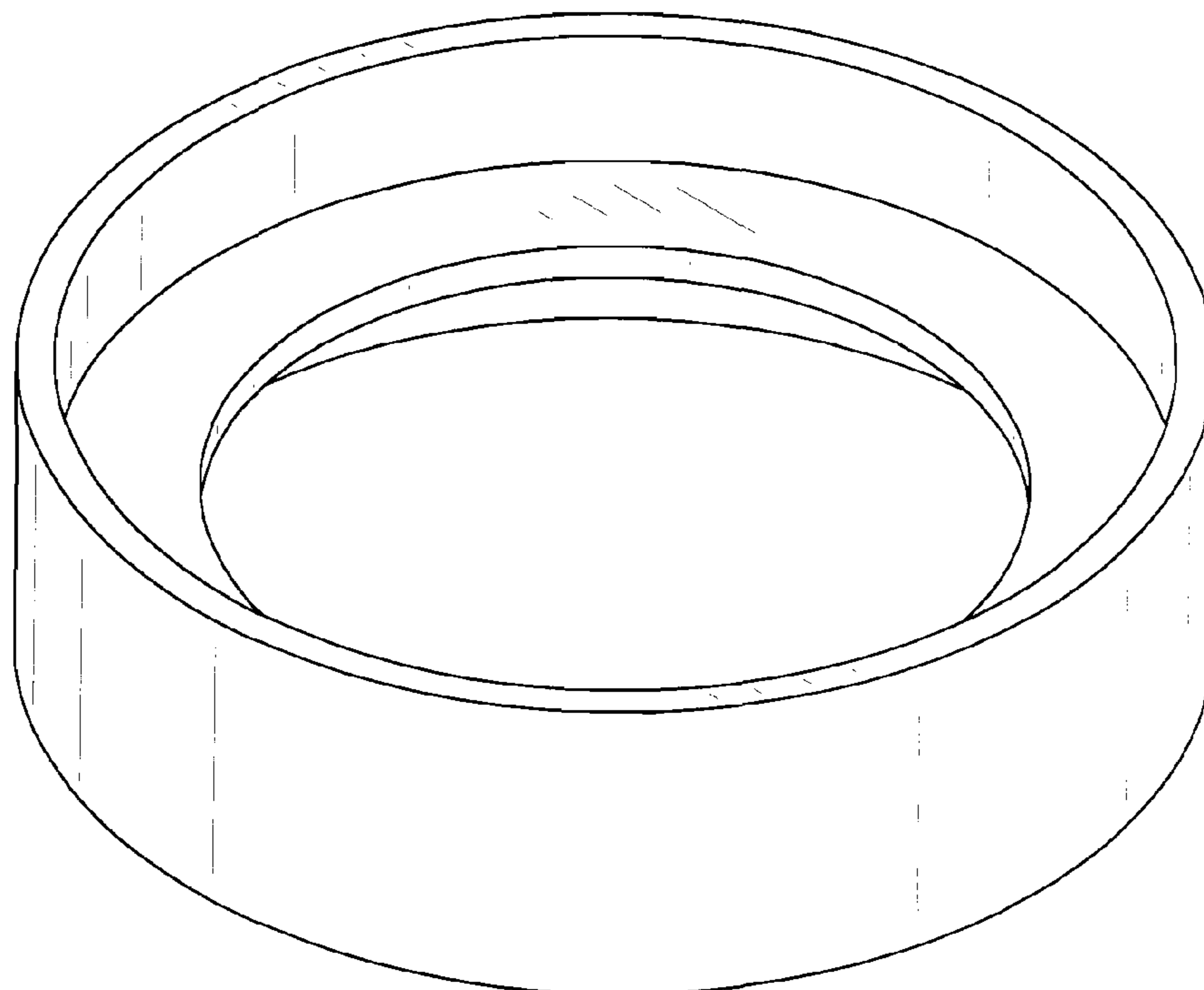
FIG. 2 is a side view thereof;

FIG. 3 is an isometric view thereof; and,

FIG. 4 is an isometric view thereof illustrating an aerosol can being positioned therein.

The broken lines shown in FIG. 4 depict environmental subject matter only and form no part of the claimed design.

1 Claim, 3 Drawing Sheets



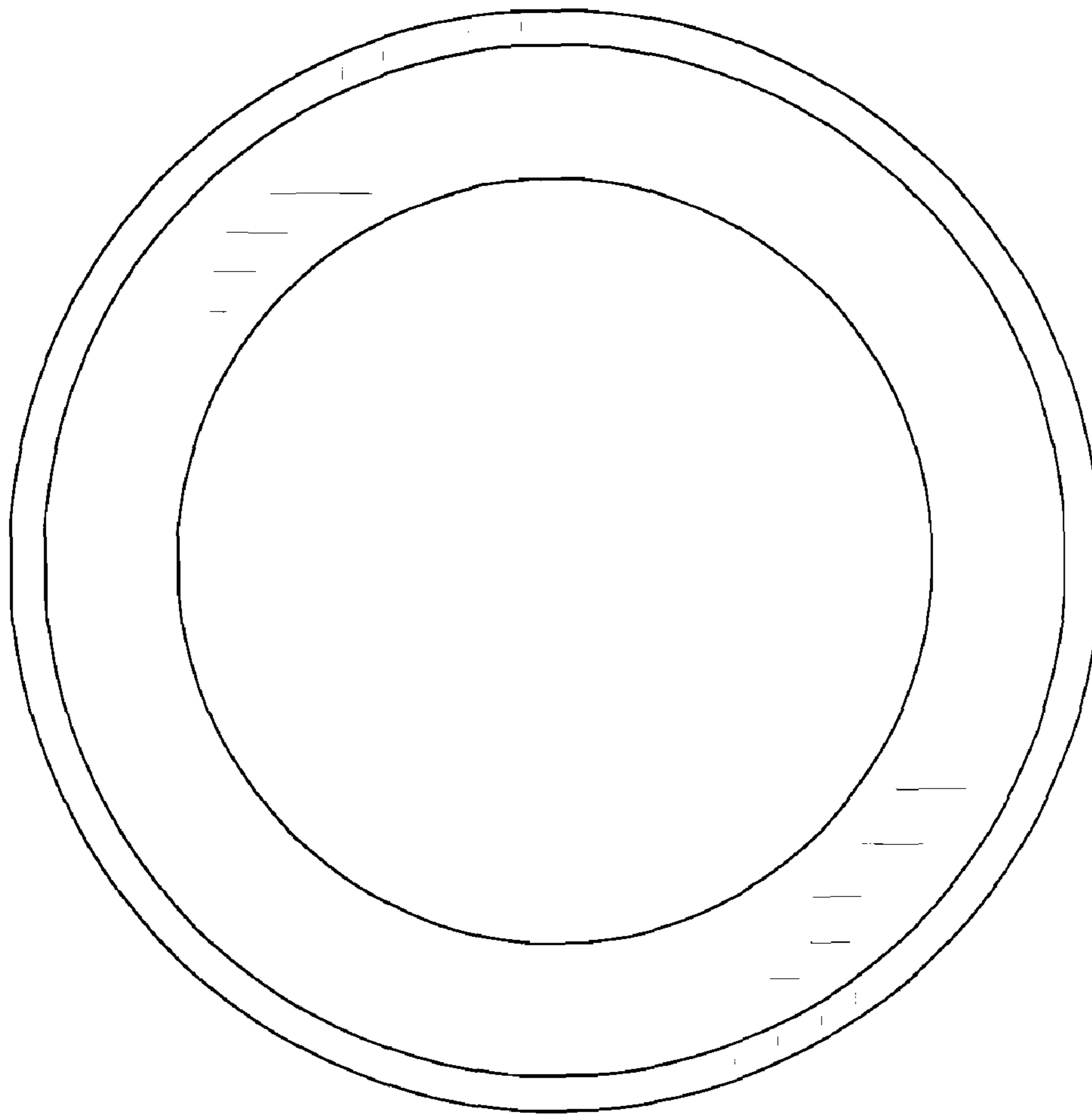


FIG. 1

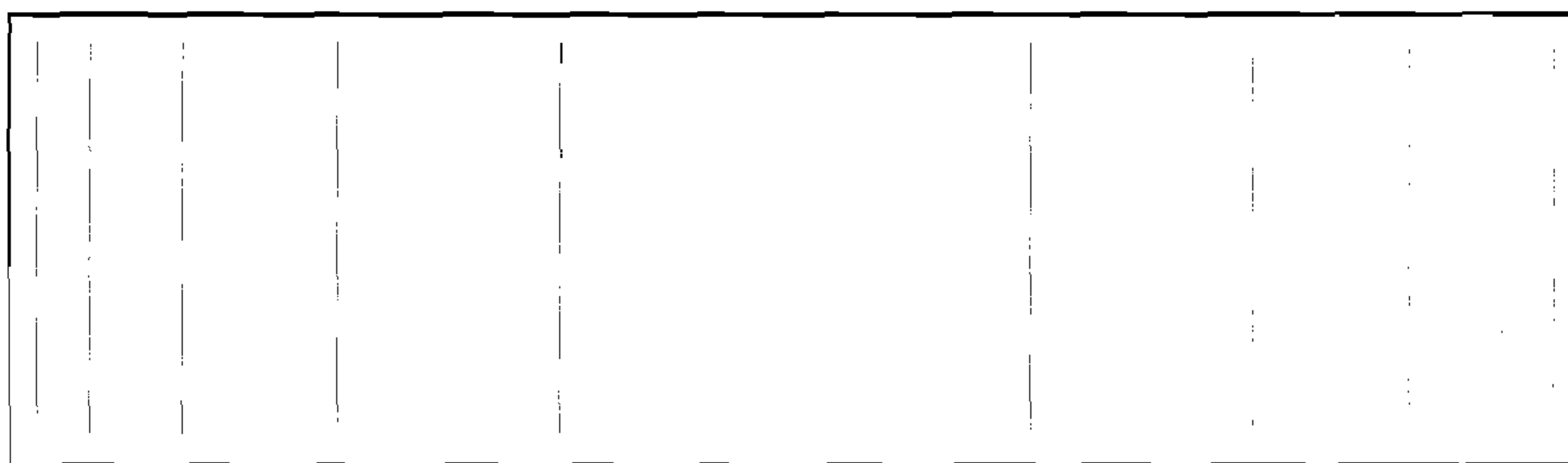


FIG. 2

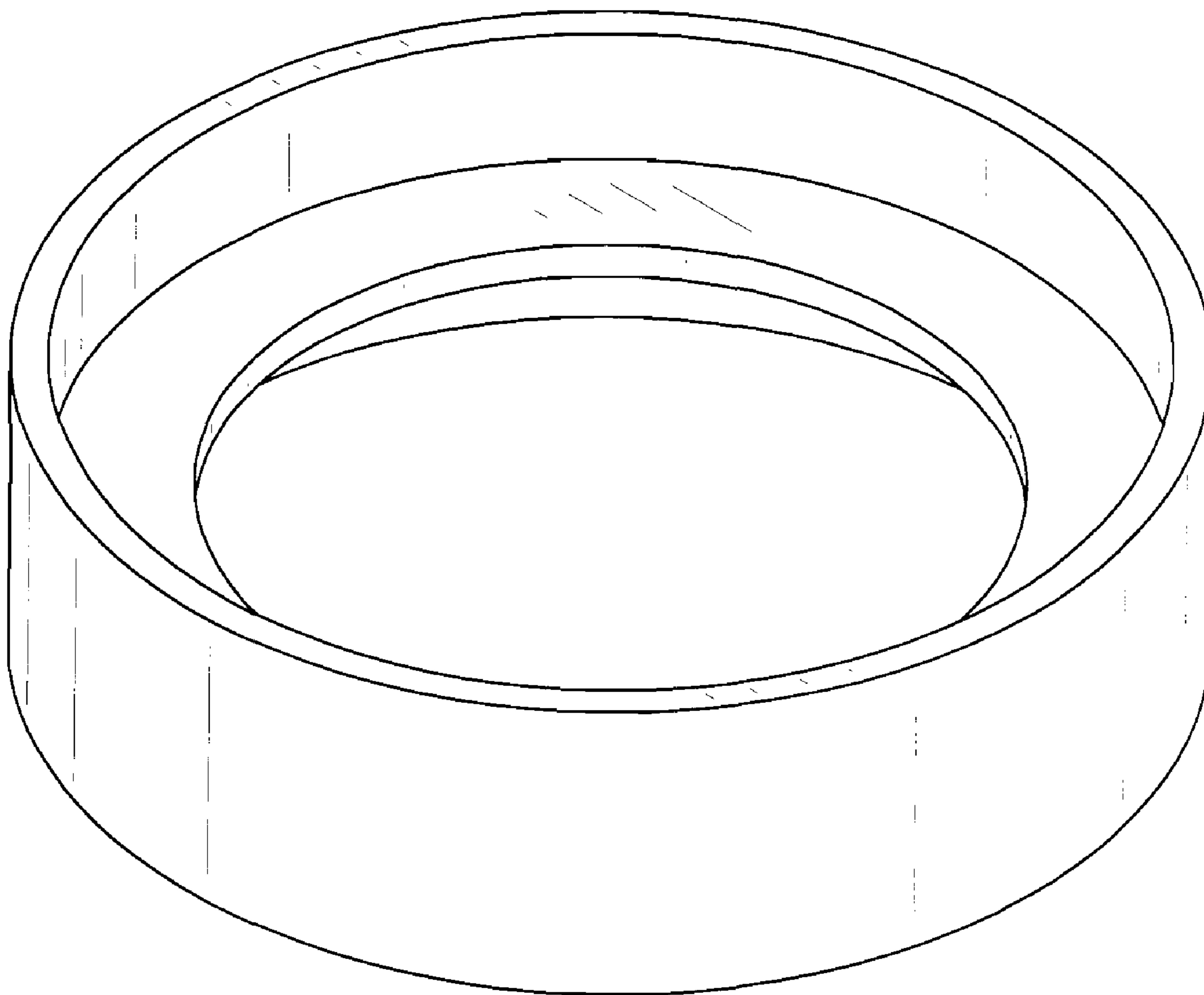


FIG. 3

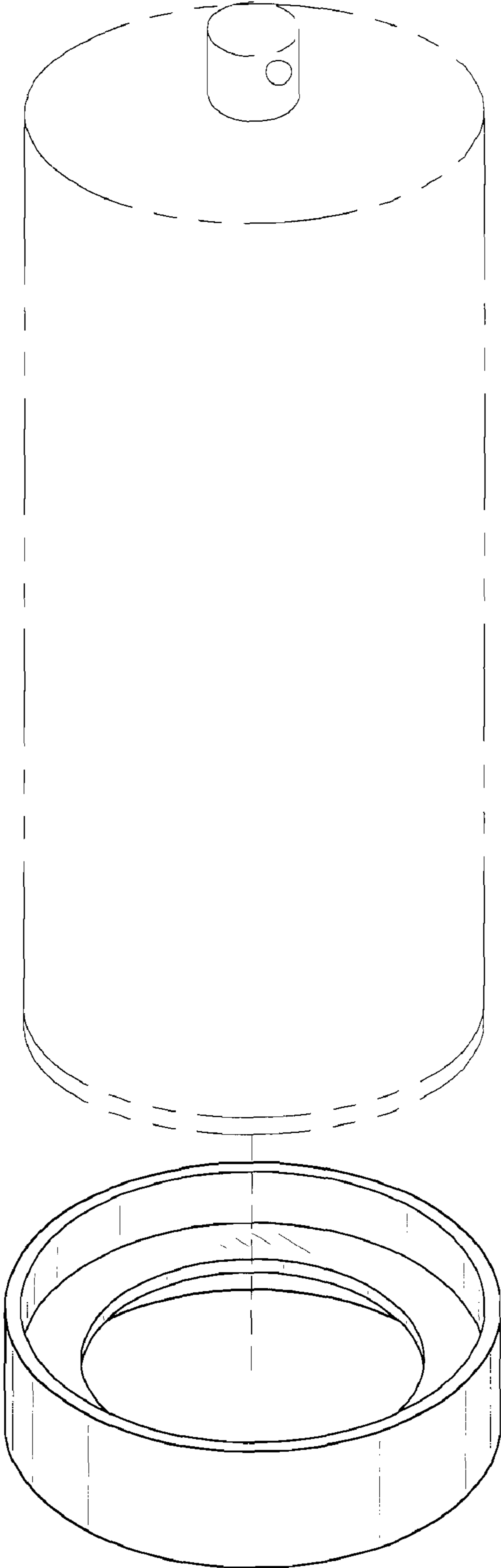


FIG. 4