



US00D613599S

(12) **United States Design Patent**
Khubani

(10) **Patent No.:** **US D613,599 S**
(45) **Date of Patent:** **** Apr. 13, 2010**

(54) **BEVERAGE CONTAINER CLOSURE WITH PRESSURE RELEASE**

(75) Inventor: **Ajit Khubani**, Saddle River, NJ (US)

(73) Assignee: **Telebrands Corp.**, Fairfield, NJ (US)

(**) Term: **14 Years**

(21) Appl. No.: **29/316,302**

(22) Filed: **Sep. 11, 2009**

(51) **LOC (9) Cl.** **09-07**

(52) **U.S. Cl.** **D9/446; D9/449**

(58) **Field of Classification Search** D9/454,
D9/449, 447, 443, 438, 435, 428, 446; D7/608,
D7/510, 396.2, 392.1, 392; 229/906.1; 220/713,
220/712, 711, 270, 254.1–254.9, 258.2, 375;
215/306; D3/264

See application file for complete search history.

(56) **References Cited**

U.S. PATENT DOCUMENTS

- 200,883 A 3/1878 Weber
- 524,159 A 8/1894 Birnbaum
- D112,150 S * 11/1938 Pershall D7/392
- 2,543,909 A 3/1951 Hateway, Jr.
- 2,583,162 A 1/1952 Vèrel
- 2,852,054 A 9/1958 Motley
- 2,911,128 A 11/1959 Krautkramer
- D188,393 S * 7/1960 Fagan D3/264
- 2,972,184 A 2/1961 Andrew
- 2,991,902 A 7/1961 Lind
- D193,121 S * 6/1962 Wickman D9/446
- 3,074,579 A 1/1963 Miller
- 3,101,878 A 8/1963 Bee
- 3,131,870 A 5/1964 Henchert
- 3,135,441 A 6/1964 Wise et al.
- 3,135,456 A 6/1964 Palazzolo
- 3,145,872 A * 8/1964 Hayes 220/375
- 3,160,327 A 12/1964 Porcelli
- 3,235,117 A 2/1966 Mason, Jr.
- 3,282,476 A 11/1966 Tracy
- 3,295,726 A 1/1967 Hanson

- 3,407,956 A 10/1968 Linkletter et al.
- 3,416,688 A * 12/1968 Fanning 215/306
- 3,434,620 A * 3/1969 Laurizio 220/258.2
- 3,537,623 A 11/1970 Fisher
- 3,707,240 A 12/1972 Wilson
- 3,921,366 A 11/1975 Coop
- 3,998,354 A 12/1976 Song
- 4,280,636 A 7/1981 Lewis
- 4,403,712 A 9/1983 Wiesinger
- D278,414 S * 4/1985 Cho D9/446
- 4,545,495 A 10/1985 Kinsley
- 4,557,393 A 12/1985 Boik
- 4,635,823 A 1/1987 Stull
- 4,793,502 A 12/1988 Beck
- 4,813,560 A 3/1989 Begley

(Continued)

FOREIGN PATENT DOCUMENTS

GB 2413791 11/2005

(Continued)

Primary Examiner—Susan Bennett Hattan
(74) *Attorney, Agent, or Firm*—Cooper & Dunham LLP

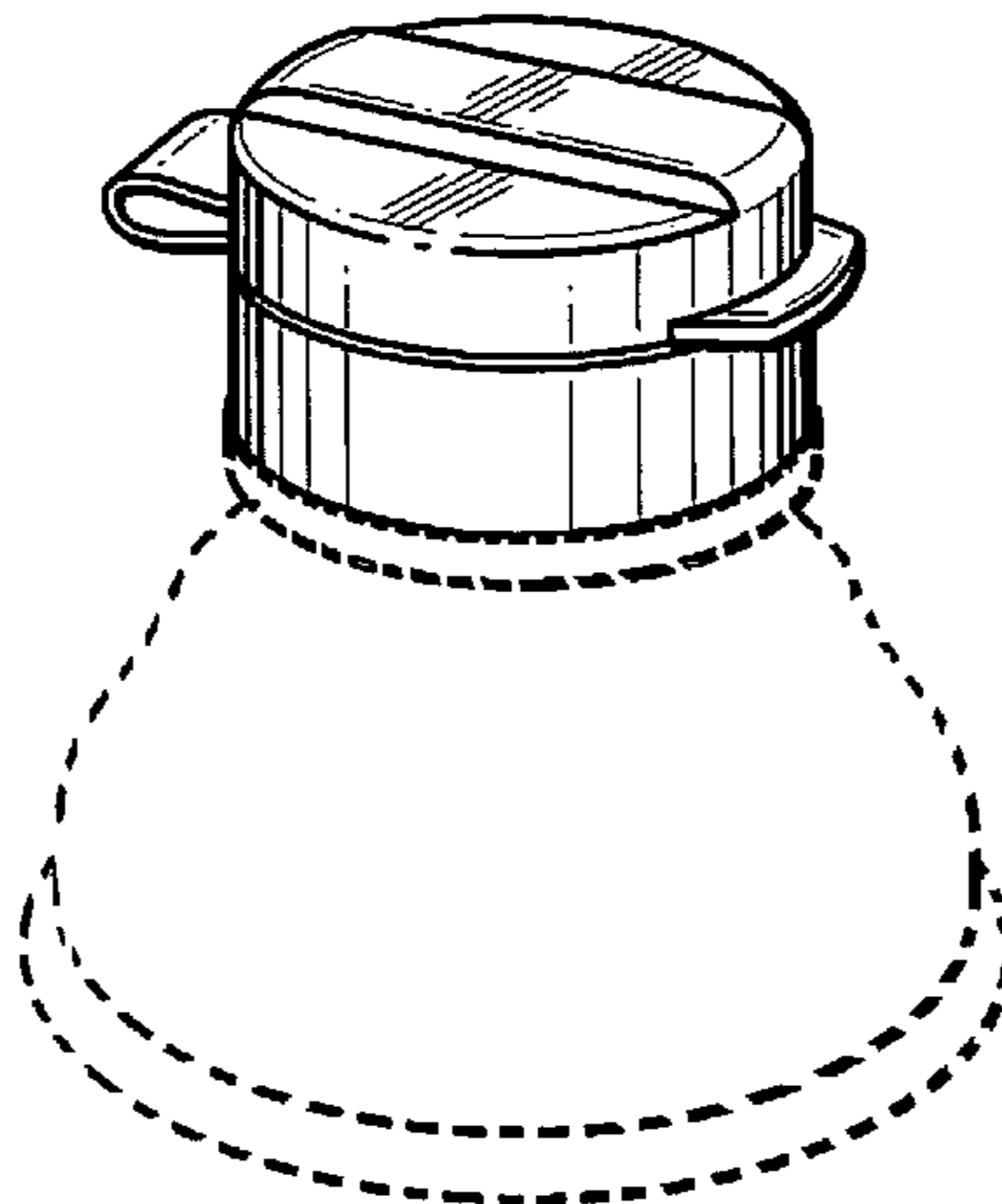
(57) **CLAIM**

The ornamental design for a beverage container closure with pressure release, as shown and described.

DESCRIPTION

FIG. 1 is a perspective view thereof;
FIG. 2 is a side view thereof, the other side view thereof being a mirror image of this side view;
FIG. 3 is a top view thereof;
FIG. 4 is a front view thereof;
FIG. 5 is a bottom view thereof; and,
FIG. 6 is a back view thereof.
The broken lines in FIGS. 1–6 depict environment only and form no part of the claimed design.

1 Claim, 3 Drawing Sheets



US D613,599 S

Page 2

U.S. PATENT DOCUMENTS

4,854,473	A	8/1989	Dubach	
4,883,192	A	11/1989	Krugman	
4,981,233	A	1/1991	Scheurer	
5,042,226	A	8/1991	Osip et al.	
5,071,042	A	12/1991	Esposito	
5,105,964	A	4/1992	Heath	
5,108,029	A	4/1992	Abrams et al.	
5,115,931	A	5/1992	Dubach	
5,145,088	A	9/1992	Goujon	
5,165,579	A	11/1992	Lund	
5,176,278	A	1/1993	Quarberg	
5,199,635	A	4/1993	Abrams et al.	
5,221,020	A	6/1993	Brimo, II	
D349,858	S	8/1994	Lonczak et al.	
D359,234	S *	6/1995	Amin	D9/428
5,467,888	A	11/1995	Brandstrom et al.	
D364,810	S *	12/1995	Meisner	D9/446
5,660,290	A	8/1997	Hayes	
5,667,094	A	9/1997	Rapchak et al.	
D396,191	S	7/1998	Kuzma et al.	
5,785,193	A	7/1998	Kobayashi et al.	
5,799,840	A	9/1998	Mogard	
D404,646	S *	1/1999	Black et al.	D9/446
D409,043	S *	5/1999	Lillelund et al.	D7/392
5,913,435	A	6/1999	Fuchs	
5,934,496	A	8/1999	Mogard et al.	
5,947,324	A	9/1999	Palinchak	
5,996,832	A	12/1999	Nieuwoudt	
6,003,712	A	12/1999	Mogard et al.	
6,041,477	A	3/2000	Rentsch et al.	
6,152,320	A	11/2000	Hierzer et al.	
D434,659	S	12/2000	Lonczak et al.	
6,155,452	A	12/2000	Laurent	
6,158,197	A	12/2000	Mogard et al.	
6,185,906	B1	2/2001	Mogard et al.	
6,216,905	B1	4/2001	Mogard et al.	
6,241,114	B1	6/2001	Savino et al.	
6,253,937	B1	7/2001	Anderson	

6,296,137	B1	10/2001	Bjornsen	
6,299,033	B1	10/2001	VerWeyst et al.	
6,311,865	B1	11/2001	Laurent	
6,321,923	B1	11/2001	Wood	
D459,992	S	7/2002	Olsen	
D460,359	S	7/2002	Olsen	
6,439,410	B1	8/2002	Dubach	
6,460,726	B1	10/2002	Hierzer et al.	
6,478,179	B1	11/2002	Alexander	
D471,356	S *	3/2003	Eaton	D3/264
6,530,493	B2	3/2003	Anderson	
6,554,156	B1	4/2003	Chong	
D475,923	S *	6/2003	Renz	D9/446
6,637,176	B1	10/2003	Krall	
6,691,901	B2	2/2004	Parve et al.	
D504,613	S	5/2005	Lovell	
D510,270	S *	10/2005	Khalifa	D9/503
7,017,769	B1	3/2006	Talmon	
D520,873	S	5/2006	Lovell	
7,051,888	B2	5/2006	Antier et al.	
7,198,161	B2	4/2007	Bucholtz	
D546,180	S	7/2007	Jowett et al.	
D567,659	S	4/2008	Gran et al.	
D582,273	S	12/2008	Vogel	
7,510,095	B2	3/2009	Comeau et al.	
D606,399	S *	12/2009	Scuturio	D9/449
2003/0116879	A1	6/2003	Mueller et al.	
2004/0016714	A1	1/2004	Wood et al.	
2006/0237471	A1	10/2006	Aafjes	
2008/0006630	A1	1/2008	Messina	
2008/0061062	A1	3/2008	Gran et al.	
2008/0073343	A1	3/2008	Shadrach et al.	
2008/0314937	A1	12/2008	Smith et al.	
2009/0026218	A1	1/2009	Wong	
2009/0065517	A1	3/2009	Cuocolo, Jr.	

FOREIGN PATENT DOCUMENTS

JP	2003341682	12/2003
----	------------	---------

* cited by examiner

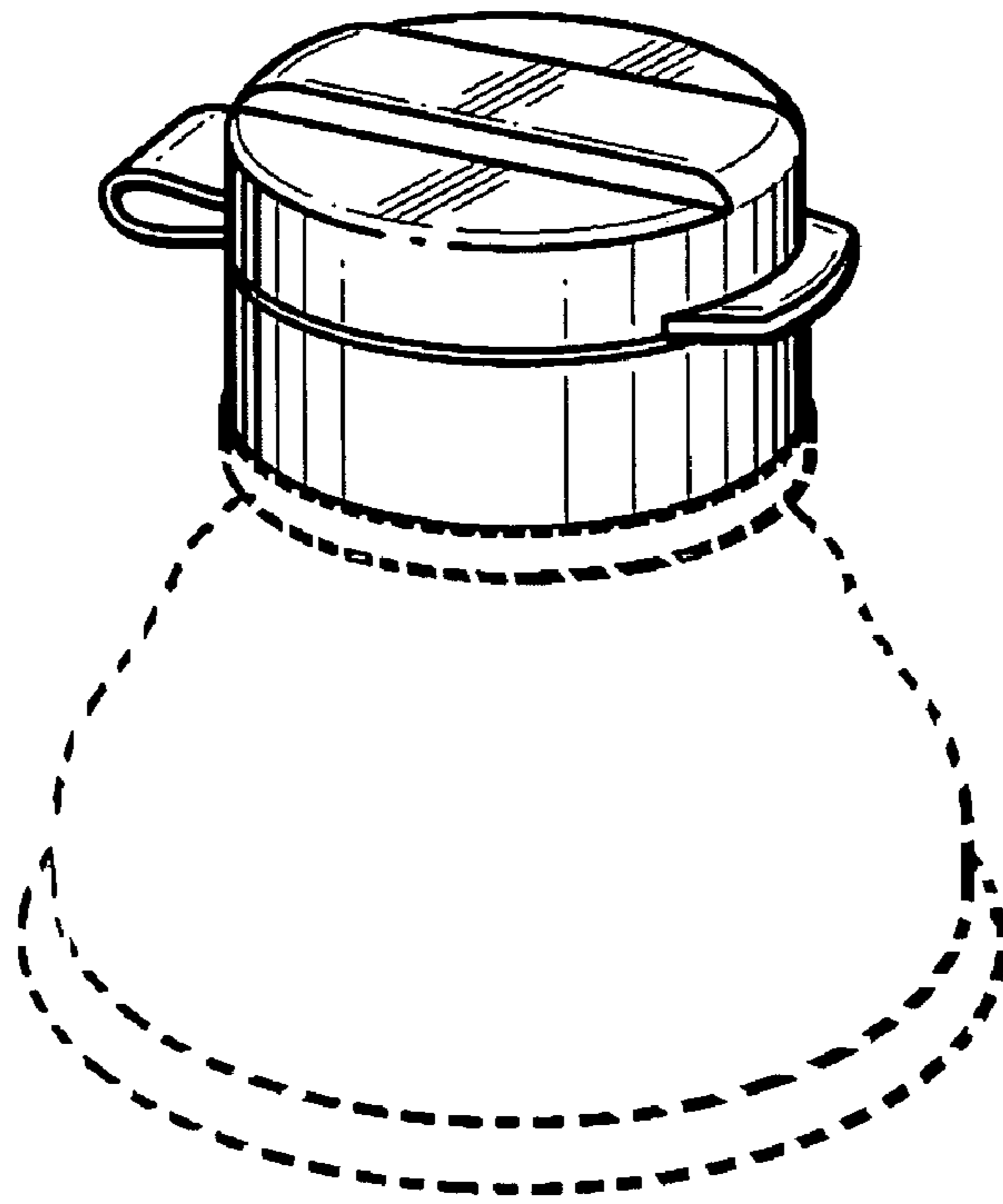


FIG. 1

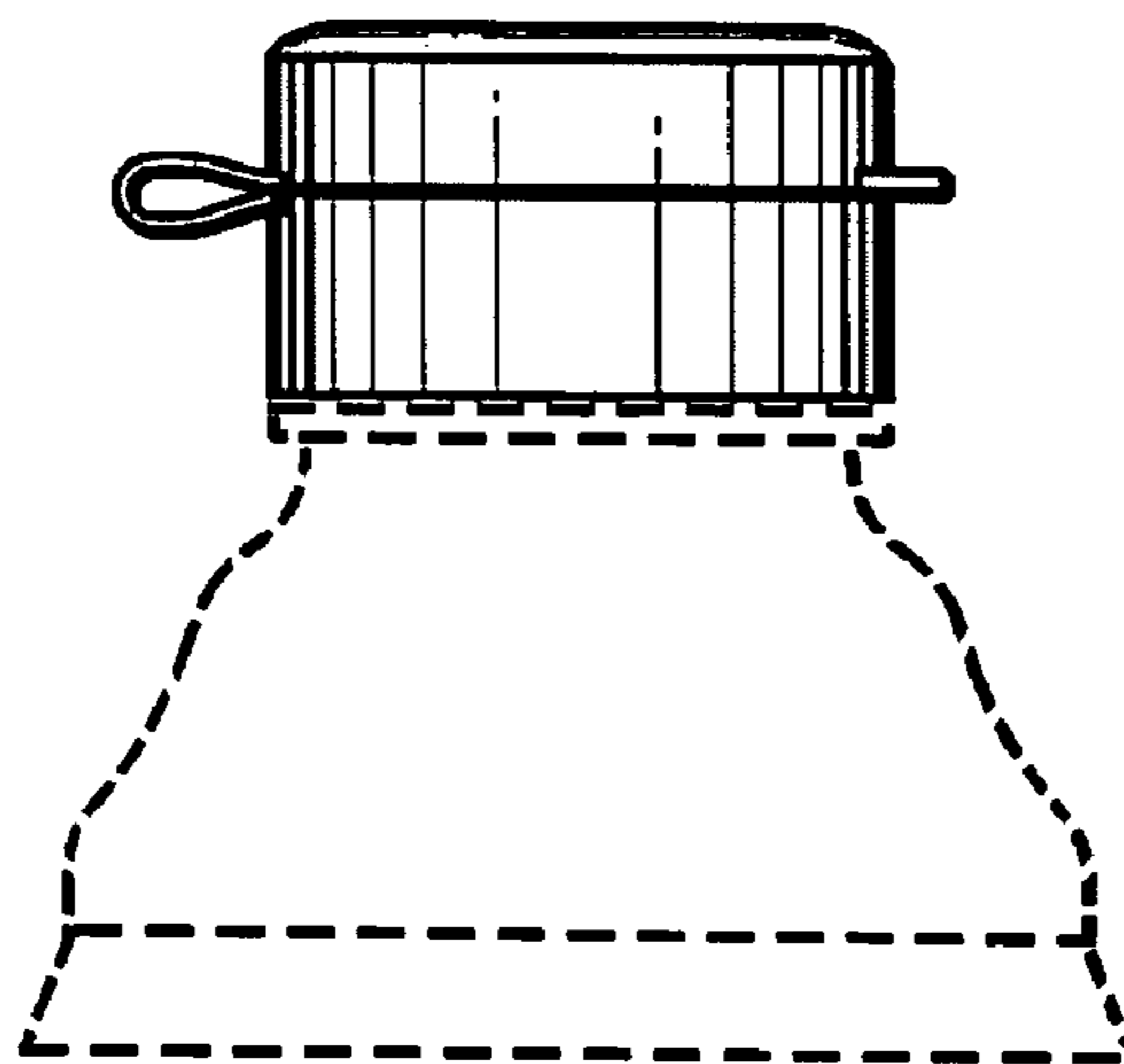


FIG. 2

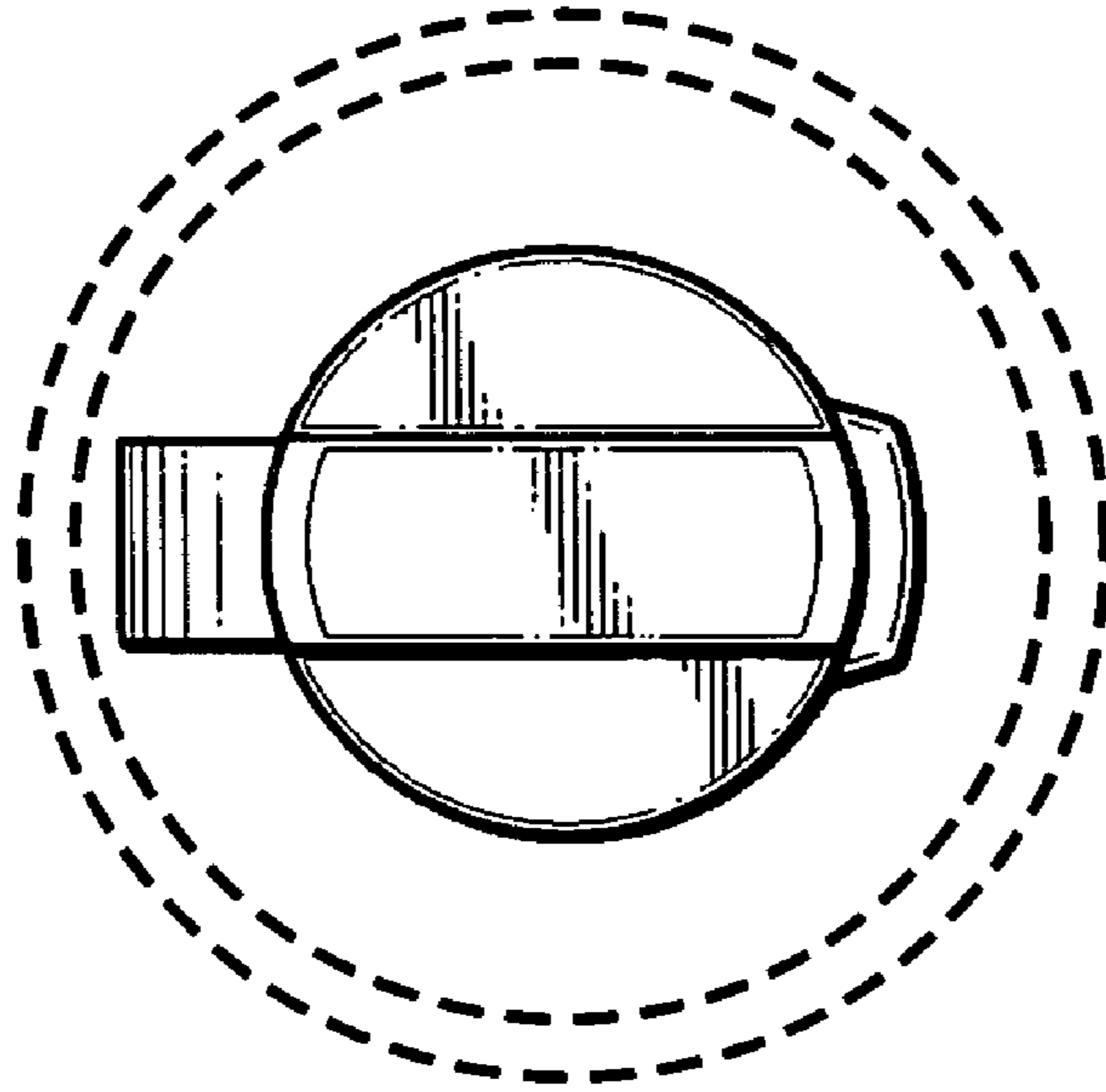


FIG. 3

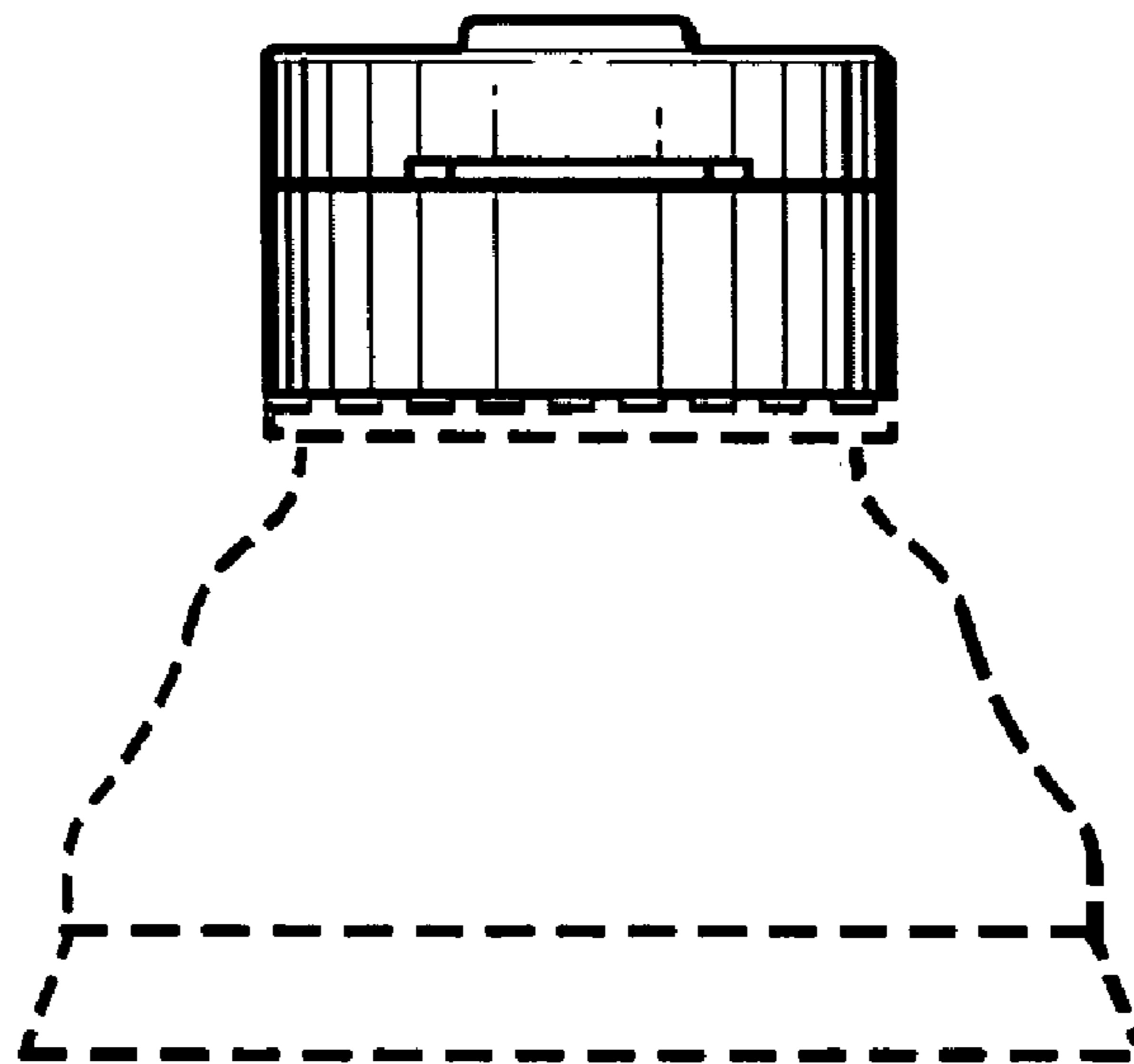


FIG. 4

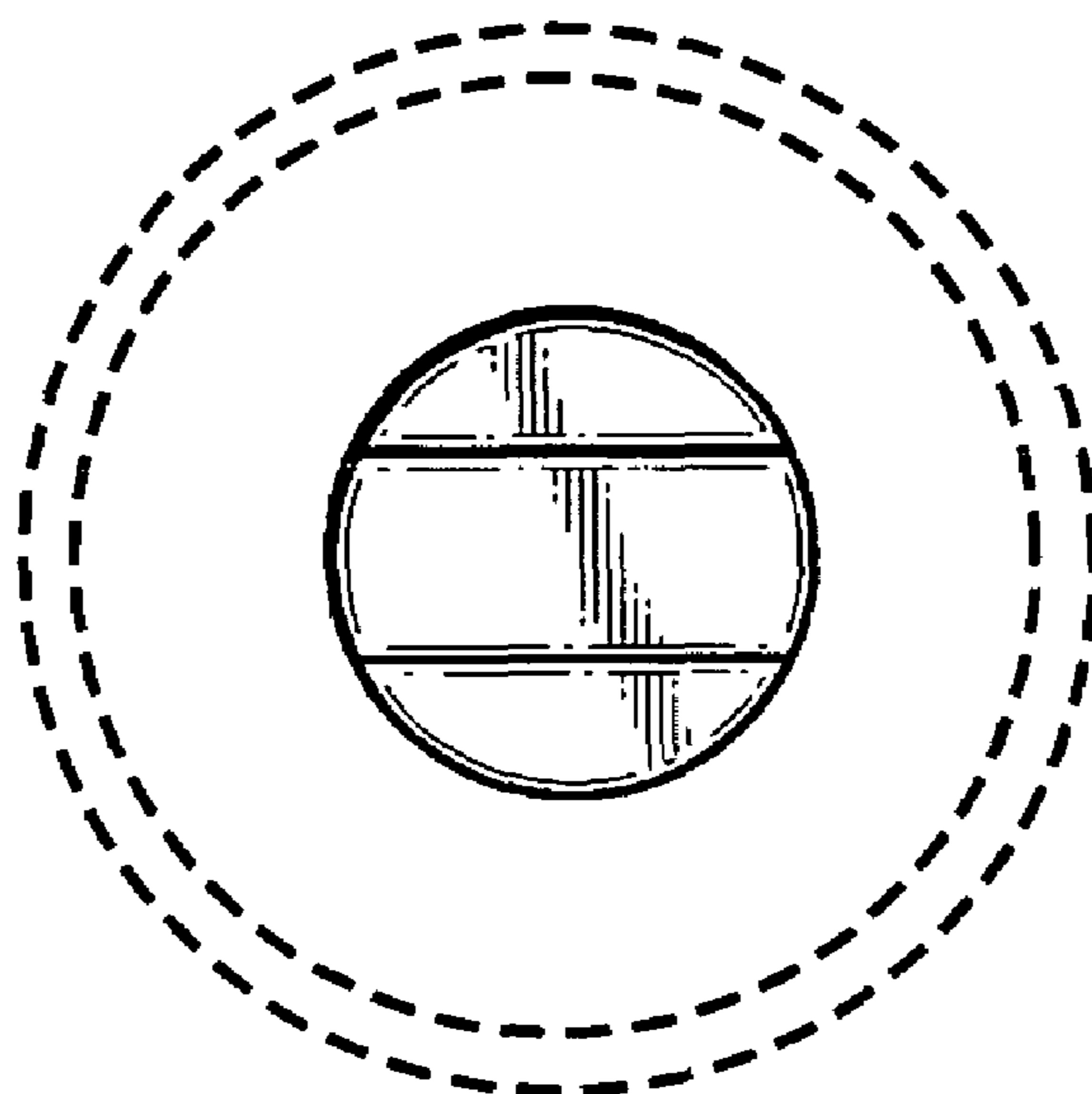


FIG. 5

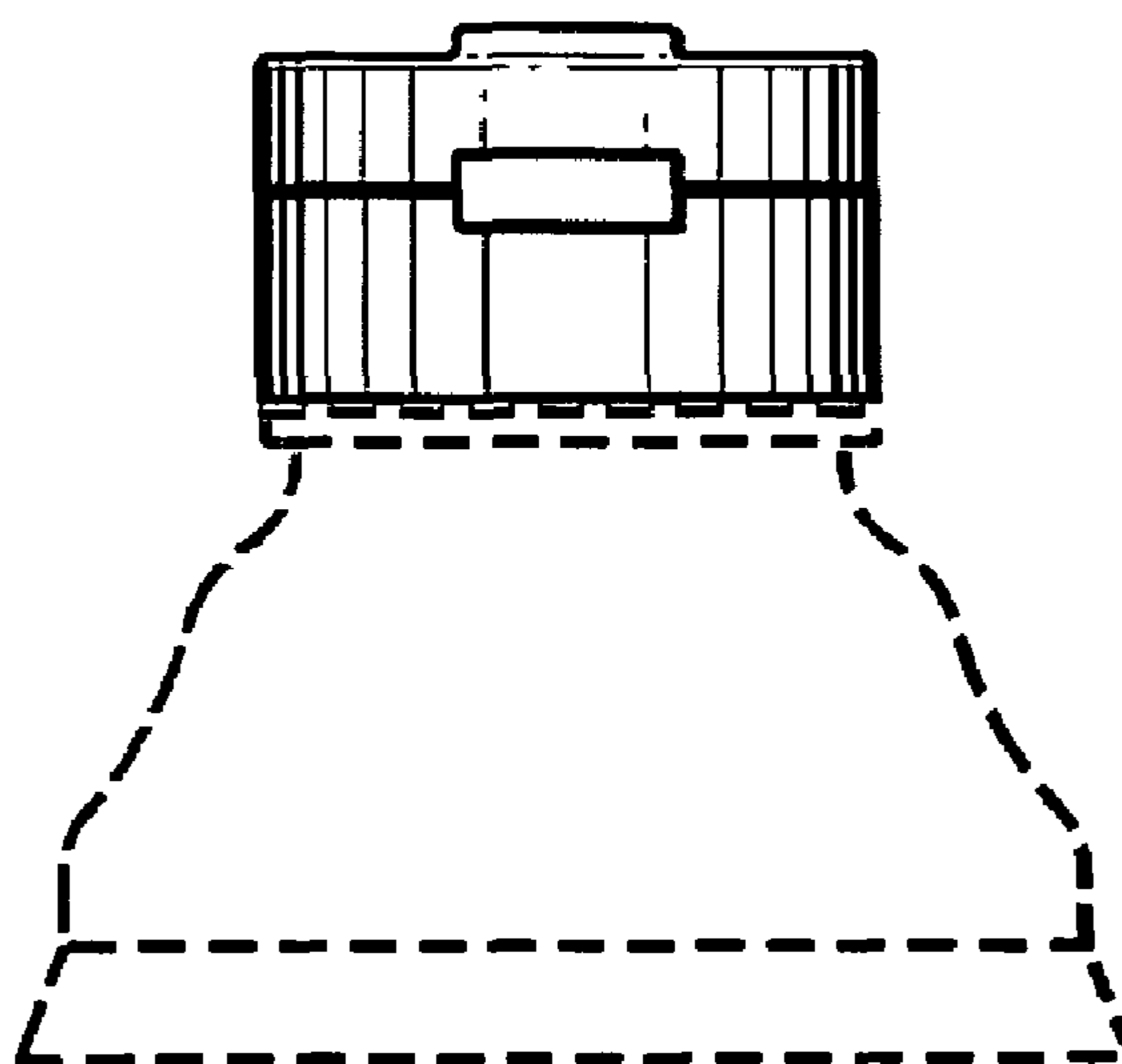


FIG. 6