



US00D613598S

(12) **United States Design Patent**
Westphal

(10) **Patent No.:** **US D613,598 S**
(45) **Date of Patent:** **** Apr. 13, 2010**

(54) **CONTAINER**

(75) Inventor: **Scott K Westphal**, Miami Beach, FL
(US)

(73) Assignee: **SKW Trust**, Sunny Isles Beach, FL (US)

(**) Term: **14 Years**

(21) Appl. No.: **29/310,588**

(22) Filed: **Aug. 28, 2008**

(51) **LOC (9) Cl.** **09-03**

(52) **U.S. Cl.** **D9/429; D9/500; D7/629;**
D7/584

(58) **Field of Classification Search** D9/414-424,
D9/428, 430-434, 450, 454, 500-503, 520-525,
D9/542, 715, 719, 776-777; D7/354, 505,
D7/538, 540, 541-542, 545, 550.1, 560, 565,
D7/584, 586-587, 602, 629, 667; 220/4.23-4.24,
220/23.86, 253, 254.2-254.7, 507, 524, 574,
220/574.3, 776, 780-781, 791-793, 825,
220/835, 839; 206/501-509, 512, 538, 533-534;
229/123.2-123.3, 125.13-125.14; 428/34.1,
428/35.7, 36.5-36.8; D30/101, 129
See application file for complete search history.

(56) **References Cited**

U.S. PATENT DOCUMENTS

274,147 A	3/1883	Snyder	
599,286 A	2/1898	McAusland	
1,301,596 A	4/1919	Patton	
D113,024 S	* 1/1939	Titze	D7/565
D164,407 S	9/1951	Cowan	
2,656,163 A	* 10/1953	Schwarz	220/606
D192,485 S	* 3/1962	Eicholtz	D9/429
3,051,303 A	8/1962	Daanen et al.	
D193,585 S	* 9/1962	Eicholtz	D9/429
D203,851 S	2/1966	Gulotta	
3,307,602 A	3/1967	Boster	
3,401,825 A	9/1968	Weiss	
D234,180 S	1/1975	Dalt et al.	
D248,006 S	* 5/1978	Christian	D7/584
D253,580 S	12/1979	Mascia	

D253,635 S	12/1979	Mascia	
D257,931 S	1/1981	Conti	
D258,407 S	3/1981	Newman	
D259,009 S	4/1981	Connolly	
D275,179 S	8/1984	Spencer et al.	
4,542,029 A	9/1985	Caner et al.	
D281,661 S	* 12/1985	Unger	D7/560
D309,690 S	* 8/1990	Carlson	D7/629
5,046,633 A	9/1991	Chung	
D344,210 S	2/1994	Cousins	
D364,568 S	11/1995	Ishimoto	
D383,646 S	9/1997	Jeppesen et al.	
D393,817 S	* 4/1998	Folley	D11/153
6,010,027 A	* 1/2000	Fujii et al.	220/592.2
D425,378 S	5/2000	Gilbertson	
D472,098 S	3/2003	Jeong	
D476,853 S	* 7/2003	Jalet et al.	D7/584
D532,293 S	* 11/2006	Martin	D9/425
D568,109 S	5/2008	Weber	
D584,110 S	* 1/2009	Hauser	D7/629

OTHER PUBLICATIONS

www.asianfoodgrocer.com web archive from Jul. 9, 2007. 2 pages
PDF file enclosed.*

* cited by examiner

Primary Examiner—Philip S Hyder
Assistant Examiner—Susan E Krakower

(57) **CLAIM**

The ornamental design for a container, as shown and described.

DESCRIPTION

FIG. 1 is a front perspective view of a container, showing my new design;

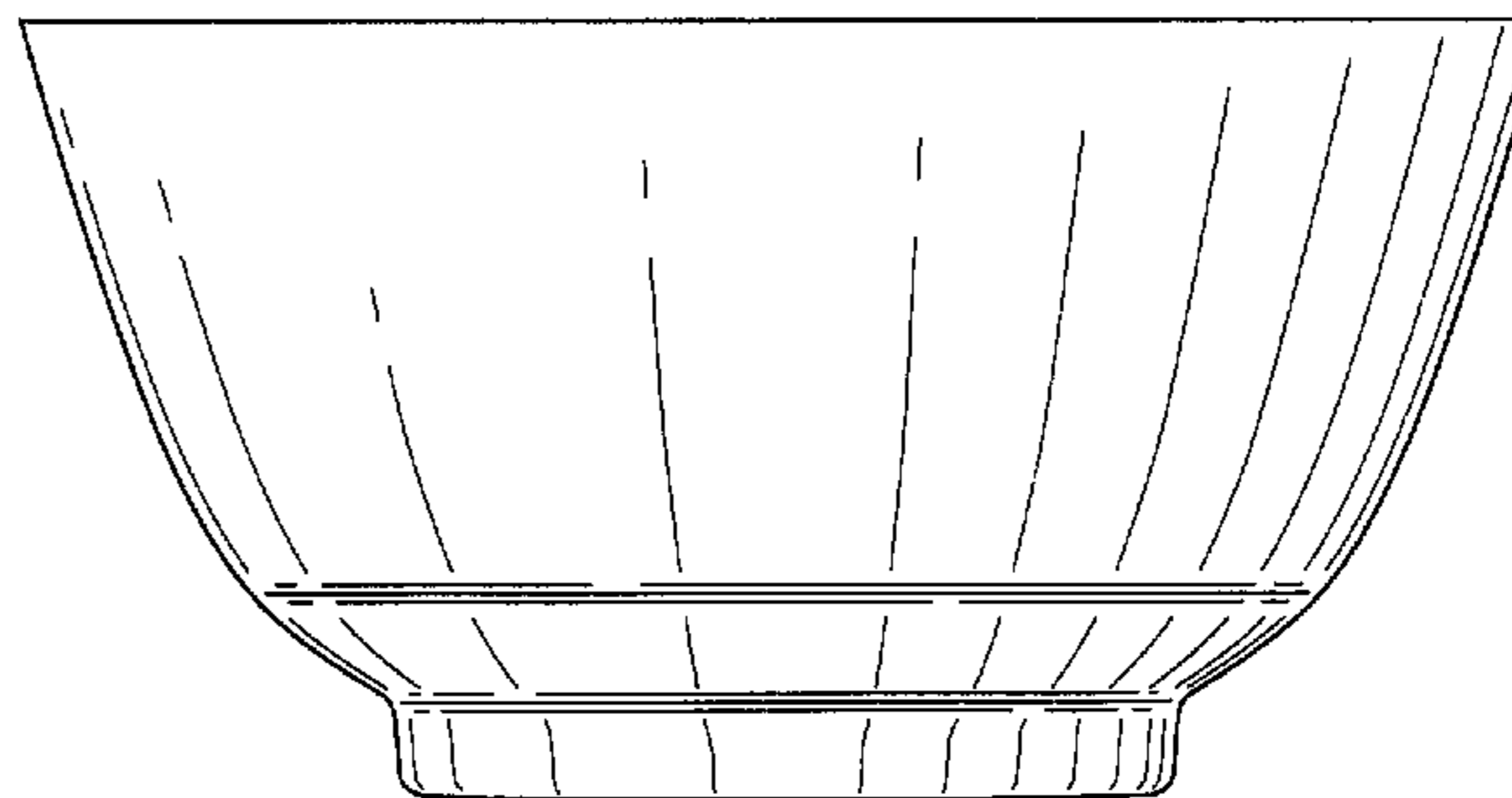
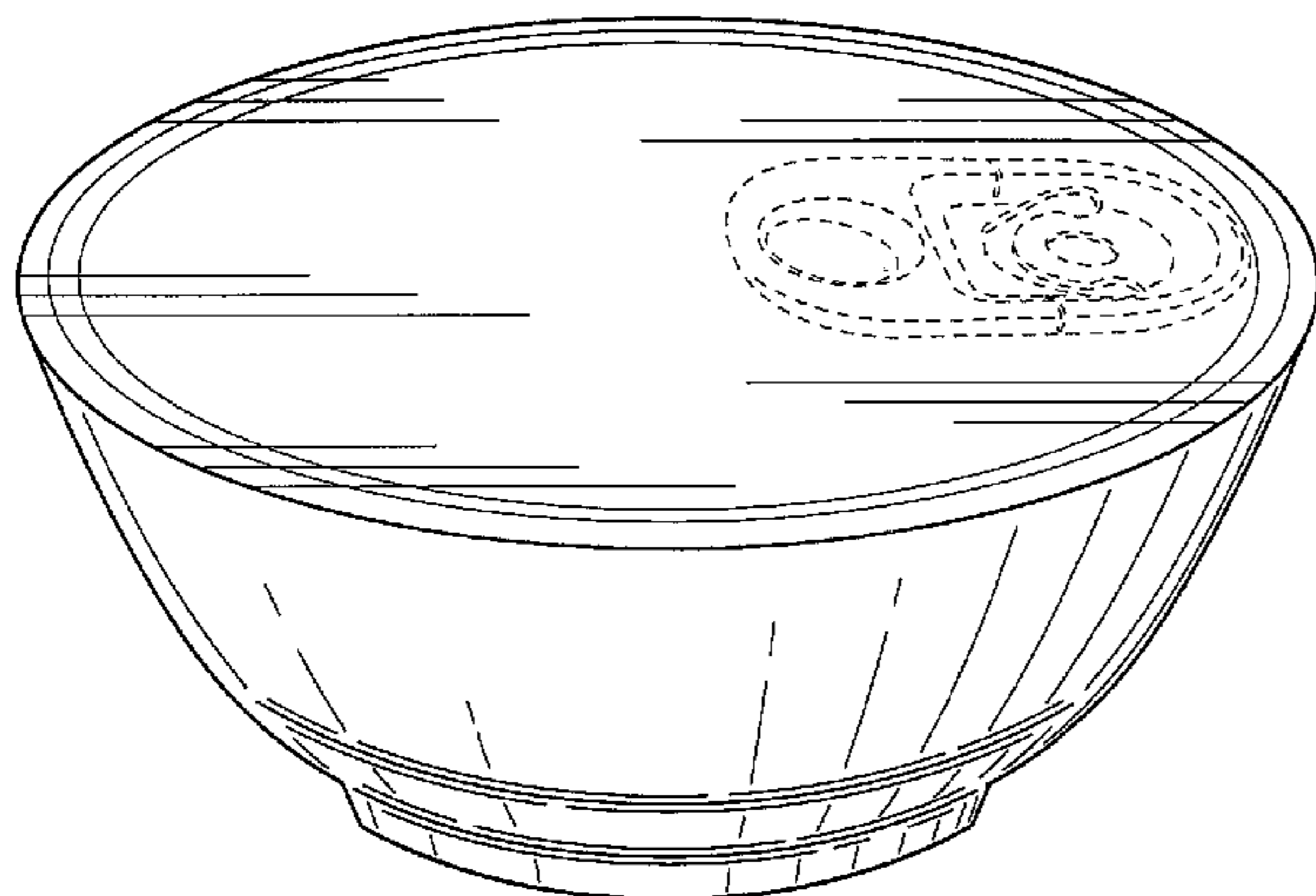
FIG. 2 is a front elevation view thereof;

FIG. 3 is a top plan view thereof; and,

FIG. 4 is a bottom plan view thereof.

The broken lines illustrate environmental structure which forms no part of the claimed design.

1 Claim, 2 Drawing Sheets



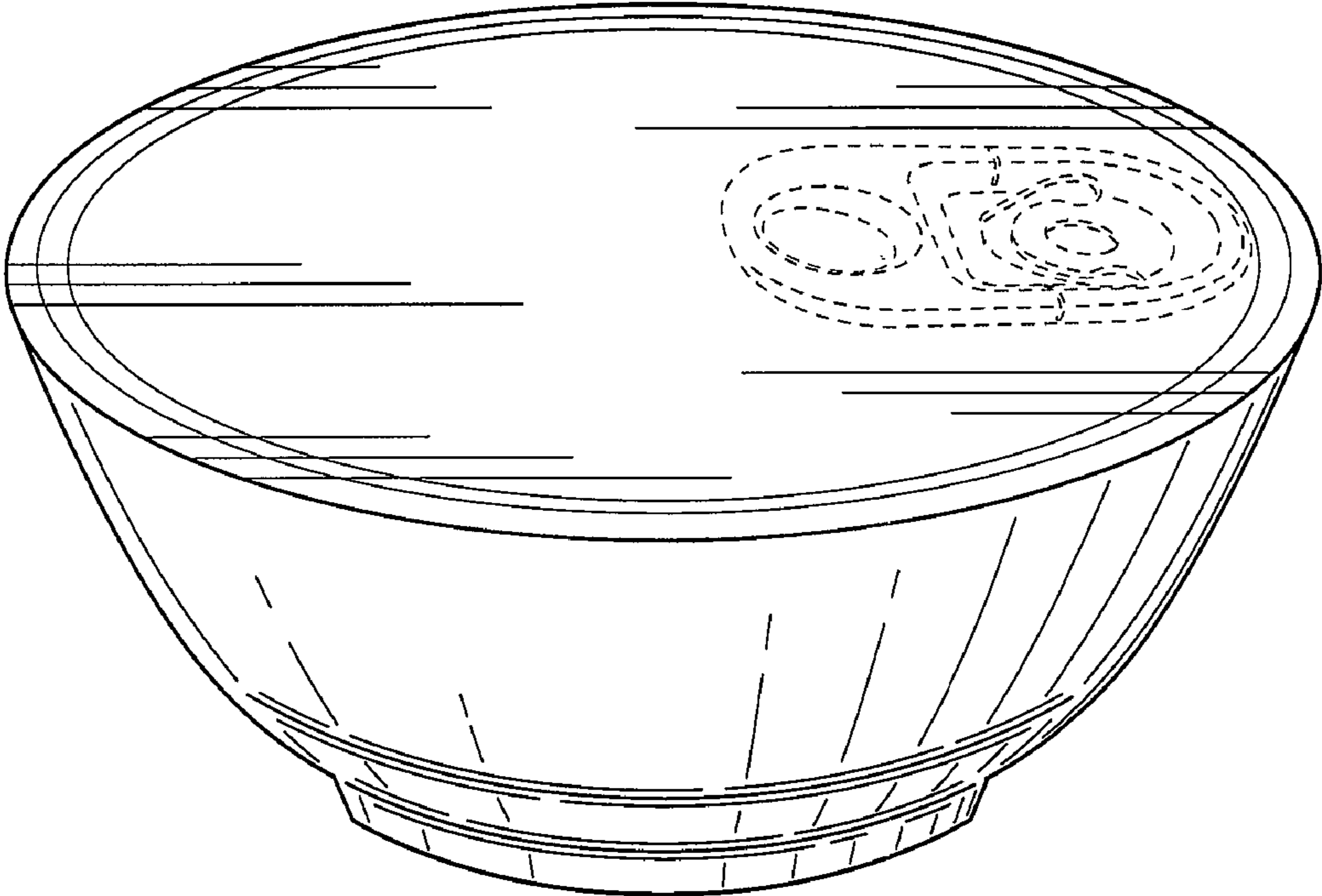


FIG. 1

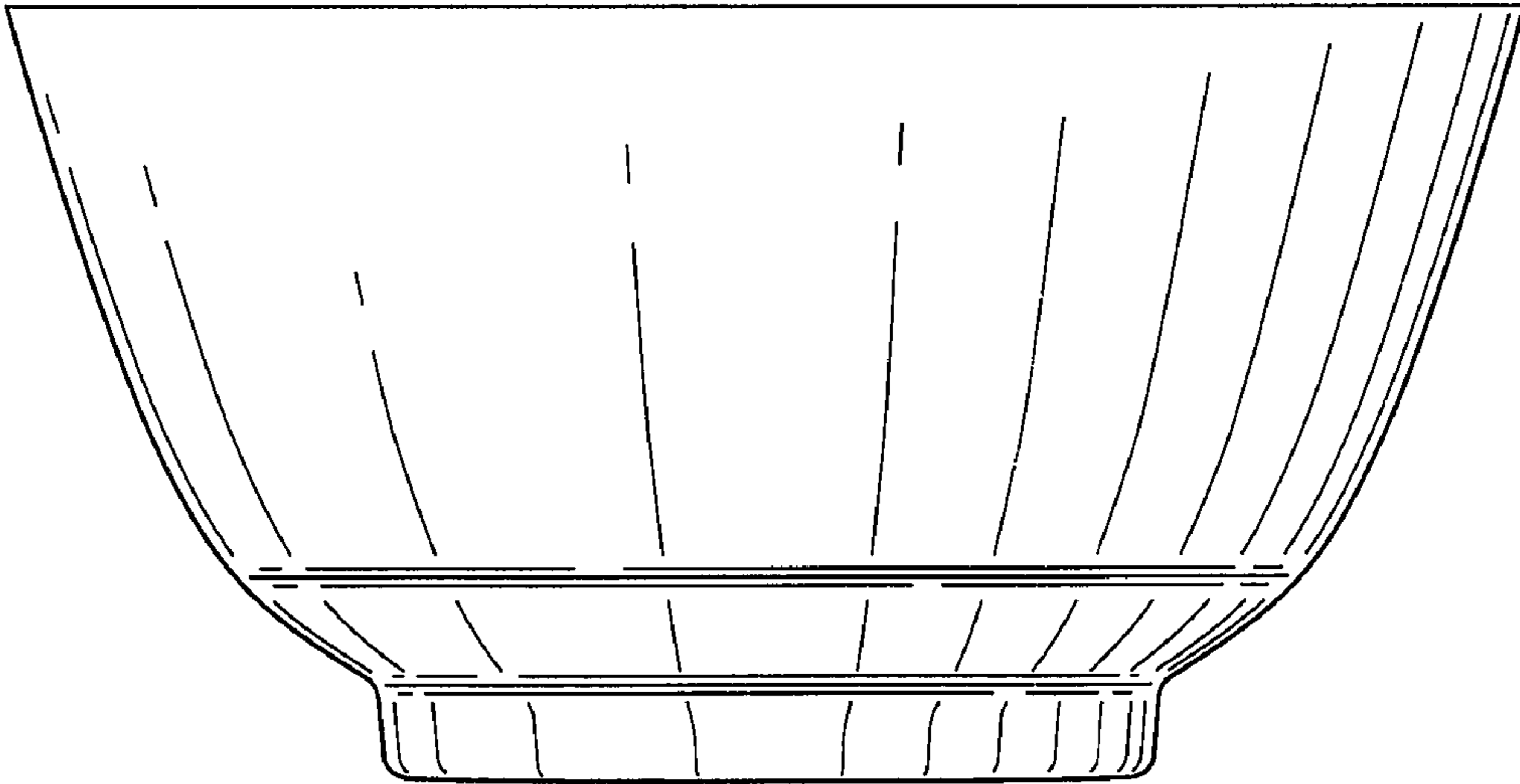


FIG. 2

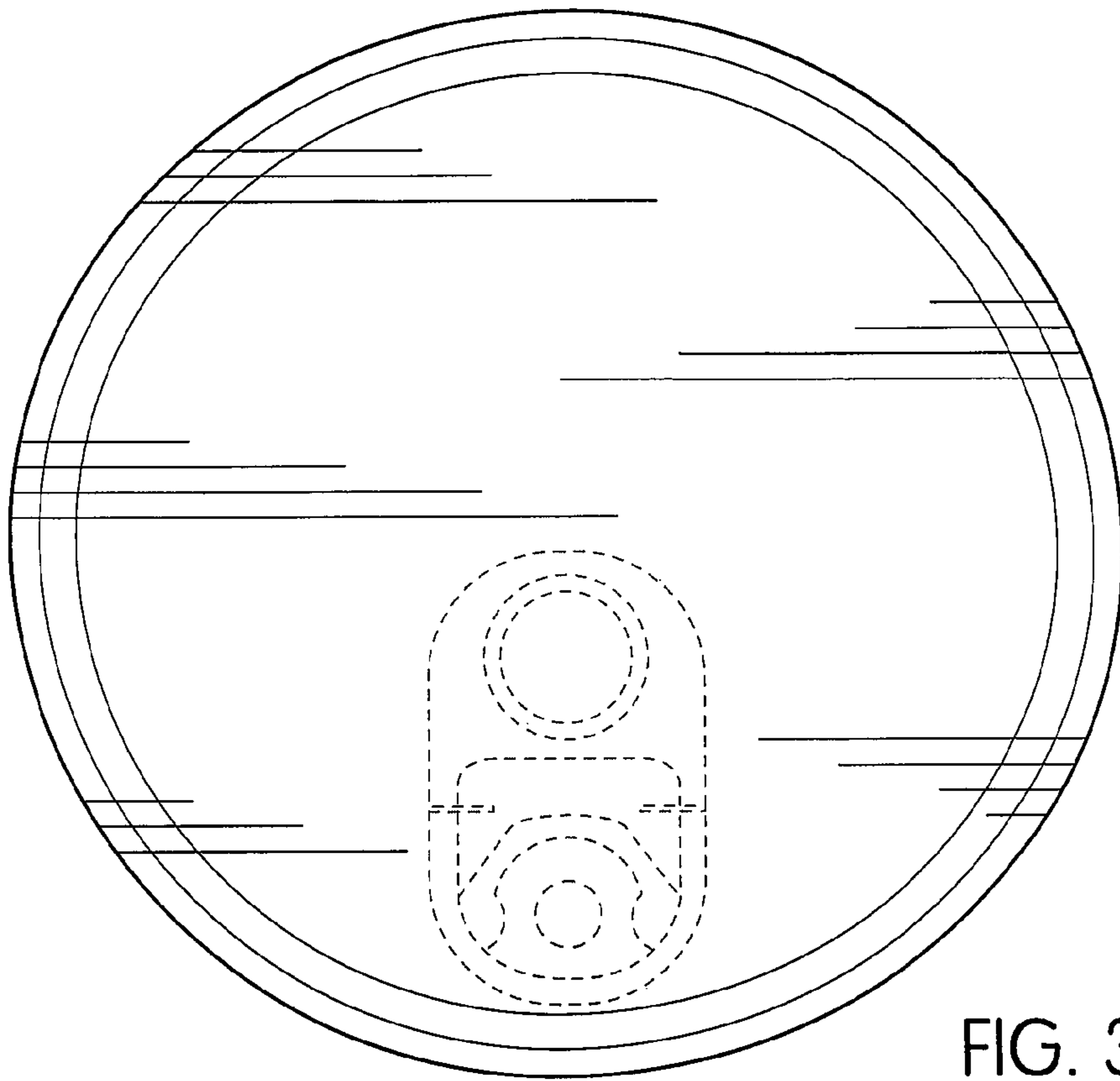


FIG. 3

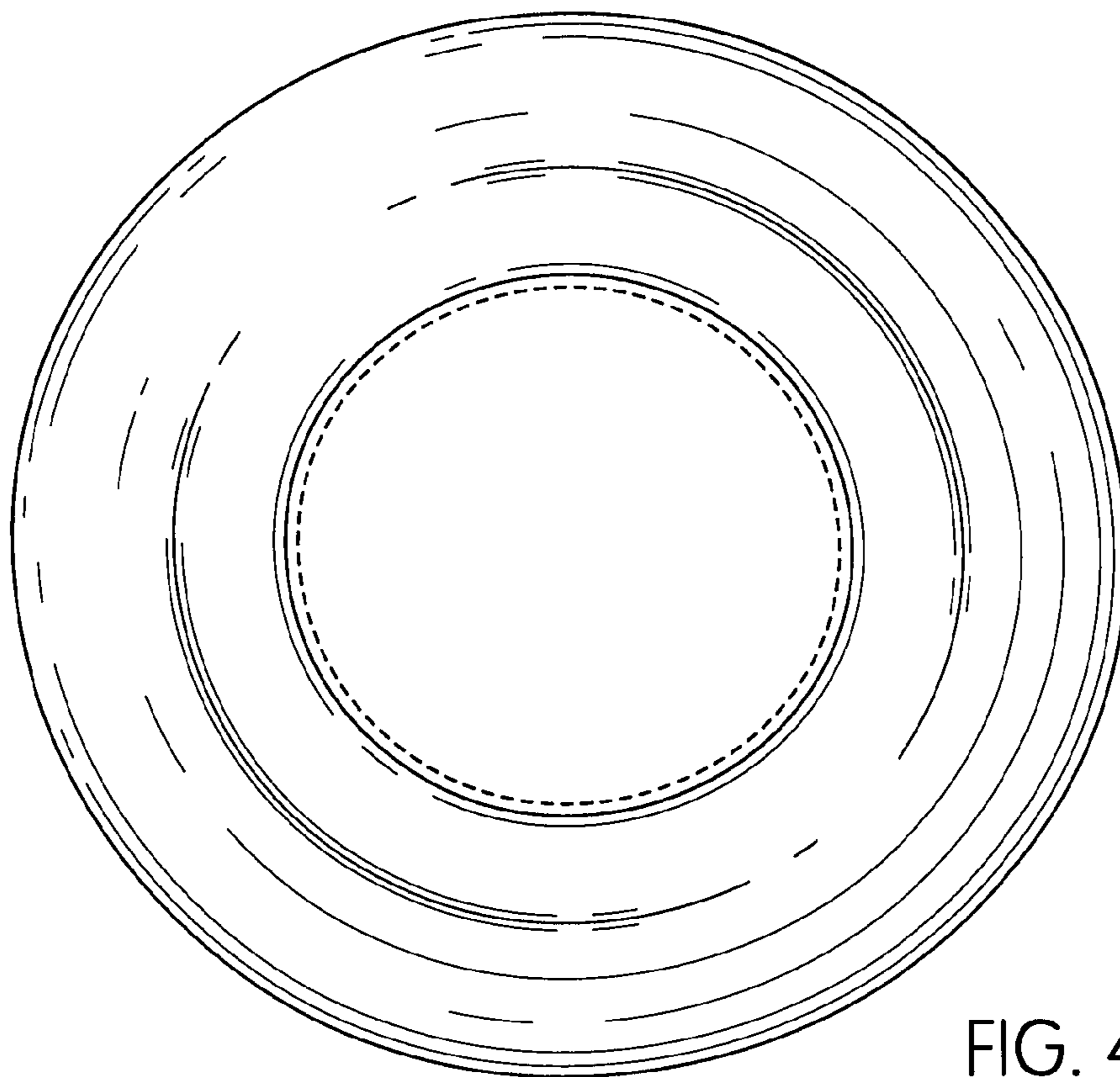


FIG. 4