



US00D613596S

(12) **United States Design Patent**
Mangapora

(10) **Patent No.:** **US D613,596 S**

(45) **Date of Patent:** **** Apr. 13, 2010**

(54) **SCREW NUT**

(75) **Inventor:** **Robert Mangapora**, Canfield, OH (US)

(73) **Assignee:** **BAS Components Limited**, Pembroke (GB)

(**) **Term:** **14 Years**

(21) **Appl. No.:** **29/343,415**

(22) **Filed:** **Sep. 11, 2009**

(30) **Foreign Application Priority Data**

Apr. 16, 2009	(EM)	001127021-0001
Apr. 16, 2009	(EM)	001127021-0002
Apr. 16, 2009	(EM)	001127021-0003

(51) **LOC (9) Cl.** **08-08**

(52) **U.S. Cl.** **D8/397; D7/501**

(58) **Field of Classification Search** D8/397,
D8/399, 394, 382, 349, 8; D15/138; D23/262;
411/432, 108, 353, 404, 410, 919, 147, 957;
D13/151, 133, 154

See application file for complete search history.

(56) **References Cited**

U.S. PATENT DOCUMENTS

D220,027	S *	3/1971	Myers	D8/397
4,302,137	A *	11/1981	Hart	411/432
4,432,681	A *	2/1984	Capuano	411/180
5,531,552	A *	7/1996	Takahashi et al.	411/179
5,564,873	A *	10/1996	Ladouceur et al.	411/180
5,613,815	A *	3/1997	Muller	411/181
6,220,804	B1 *	4/2001	Pamer et al.	411/180
D454,057	S *	3/2002	Pamer et al.	D8/397
D454,484	S *	3/2002	Pamer et al.	D8/397
D457,054	S *	5/2002	Pamer et al.	D8/397

D474,382	S *	5/2003	Tsai	D8/29
7,001,125	B2 *	2/2006	Wojciechowski et al.	...	411/180
D522,821	S *	6/2006	Hsieh	D8/29
7,073,997	B2 *	7/2006	Kovac	411/512
7,112,025	B2 *	9/2006	Ward et al.	411/180
D557,132	S *	12/2007	Shinjo	D8/397
D558,037	S *	12/2007	Chelchowski et al.	D8/382
D600,546	S *	9/2009	Scilingo et al.	D8/397
7,597,515	B2 *	10/2009	Ward et al.	411/180
2004/0042870	A1 *	3/2004	Parker et al.	411/181
2006/0099048	A1 *	5/2006	Ward et al.	411/432

* cited by examiner

Primary Examiner—Robert M Spear

Assistant Examiner—Cynthia Underwood

(74) *Attorney, Agent, or Firm*—Dickstein Shapiro LLP

(57) **CLAIM**

The ornamental design for a screw nut, as shown and described.

DESCRIPTION

FIG. 1 is a side view of a short version of the screw nut of the present invention;

FIG. 2 is a top view of the short version of the screw nut of the present invention;

FIG. 3 is a perspective view of the short version of the screw nut of the present invention;

FIG. 4 is a side view of a medium length version of the screw nut of the present invention;

FIG. 5 is a top view of the medium length version of the screw nut of the present invention; and,

FIG. 6 is a perspective view of the medium length version of the screw nut of the present invention.

1 Claim, 2 Drawing Sheets

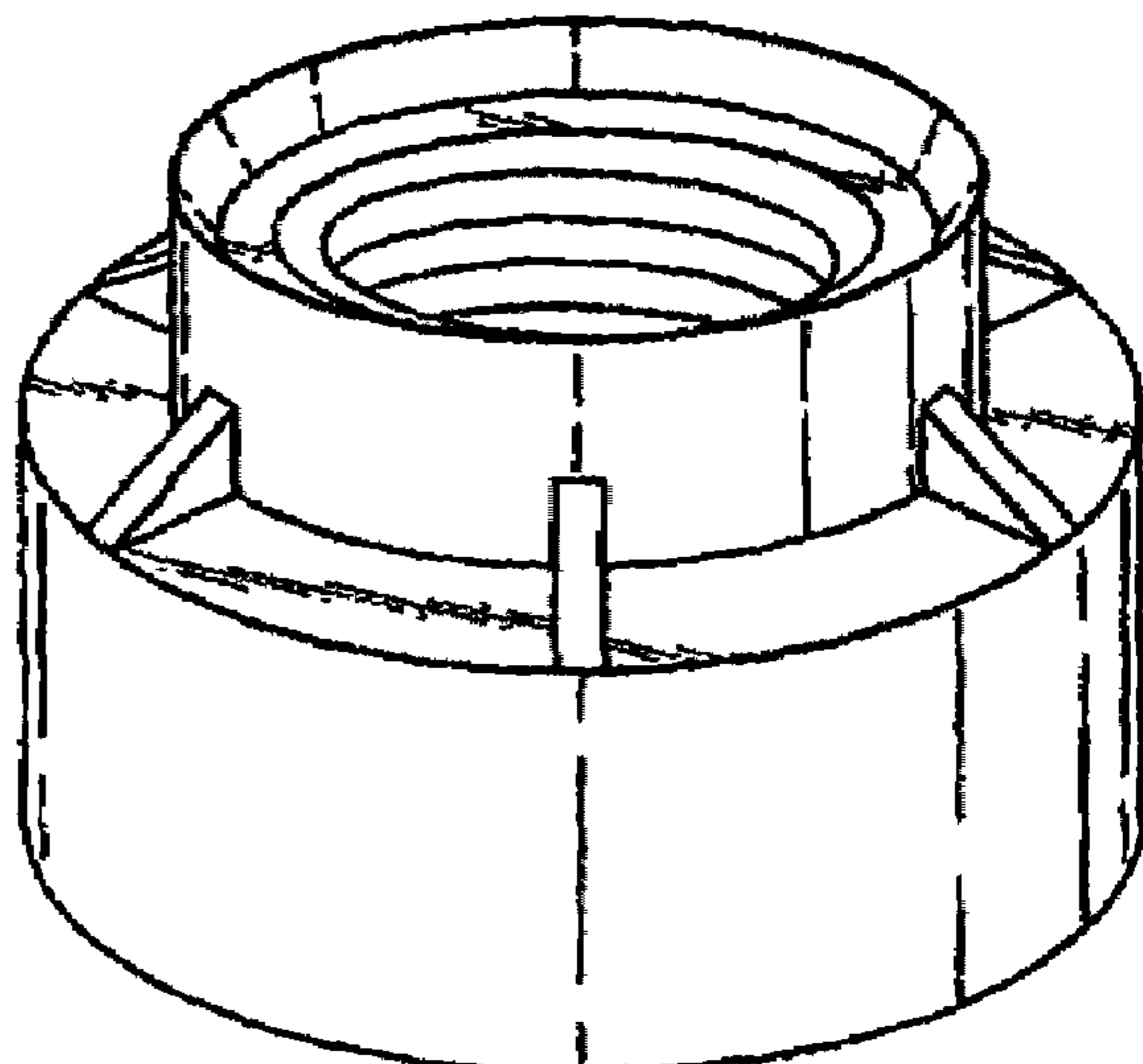
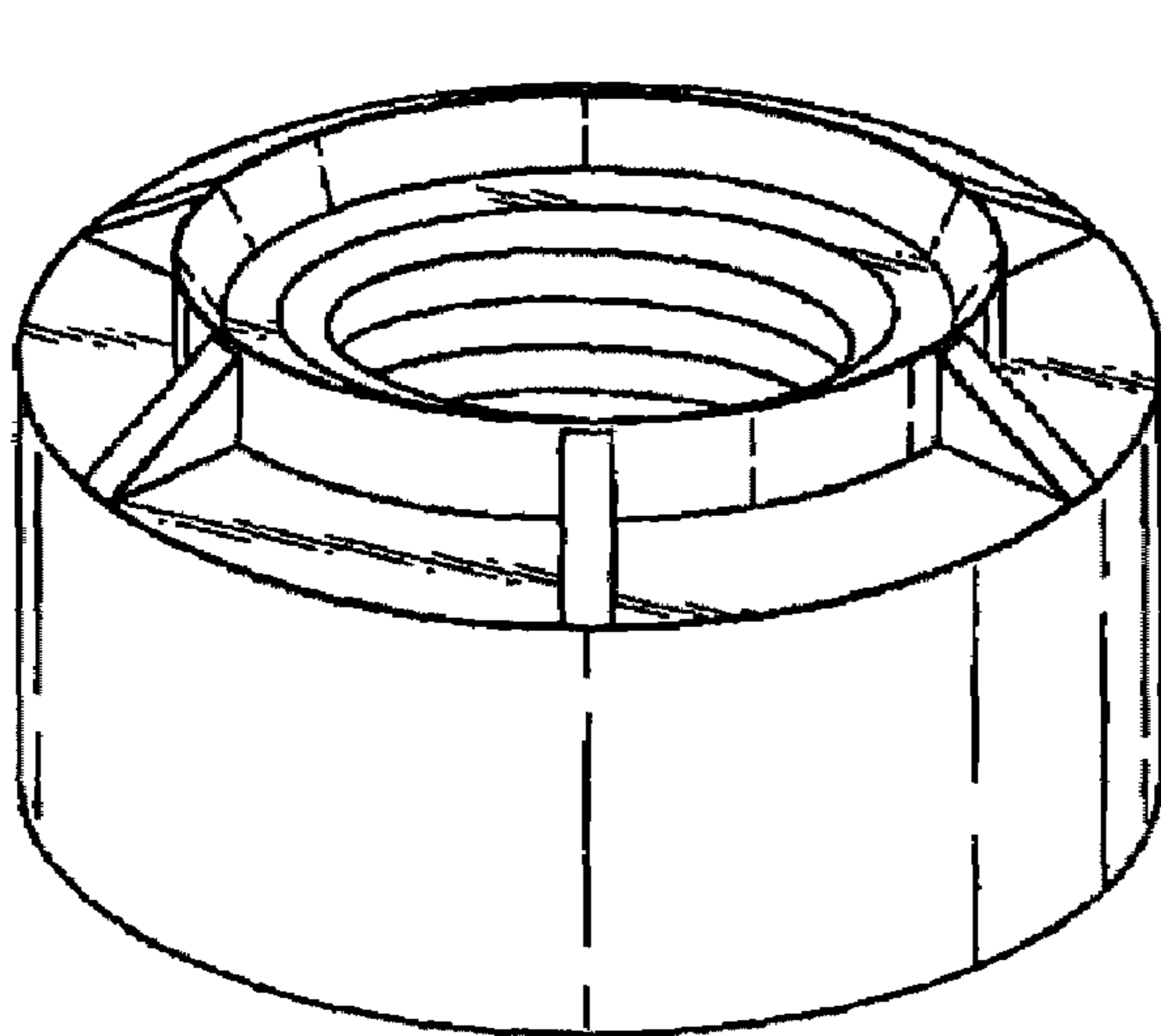


FIG. 1

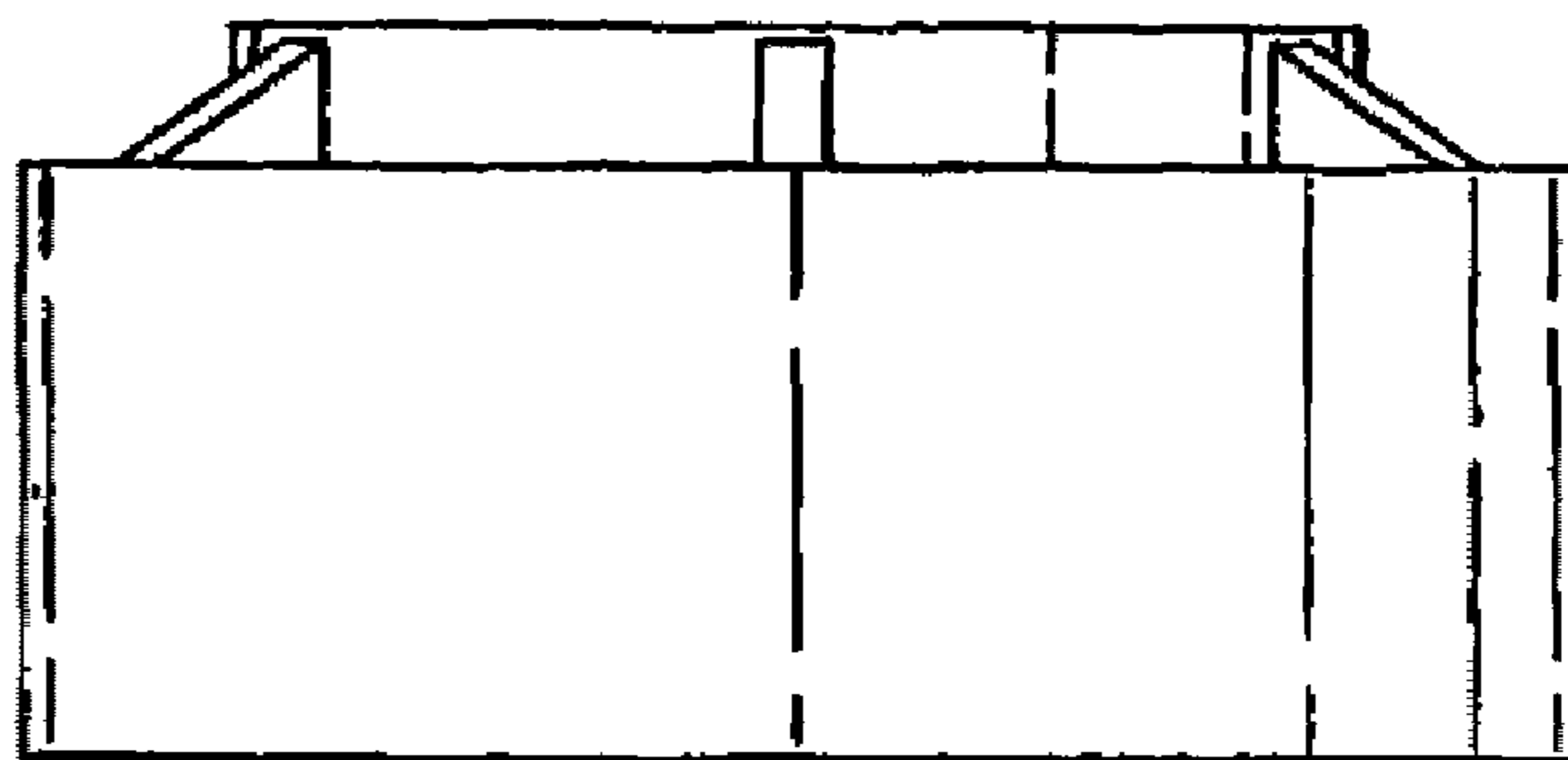


FIG. 2

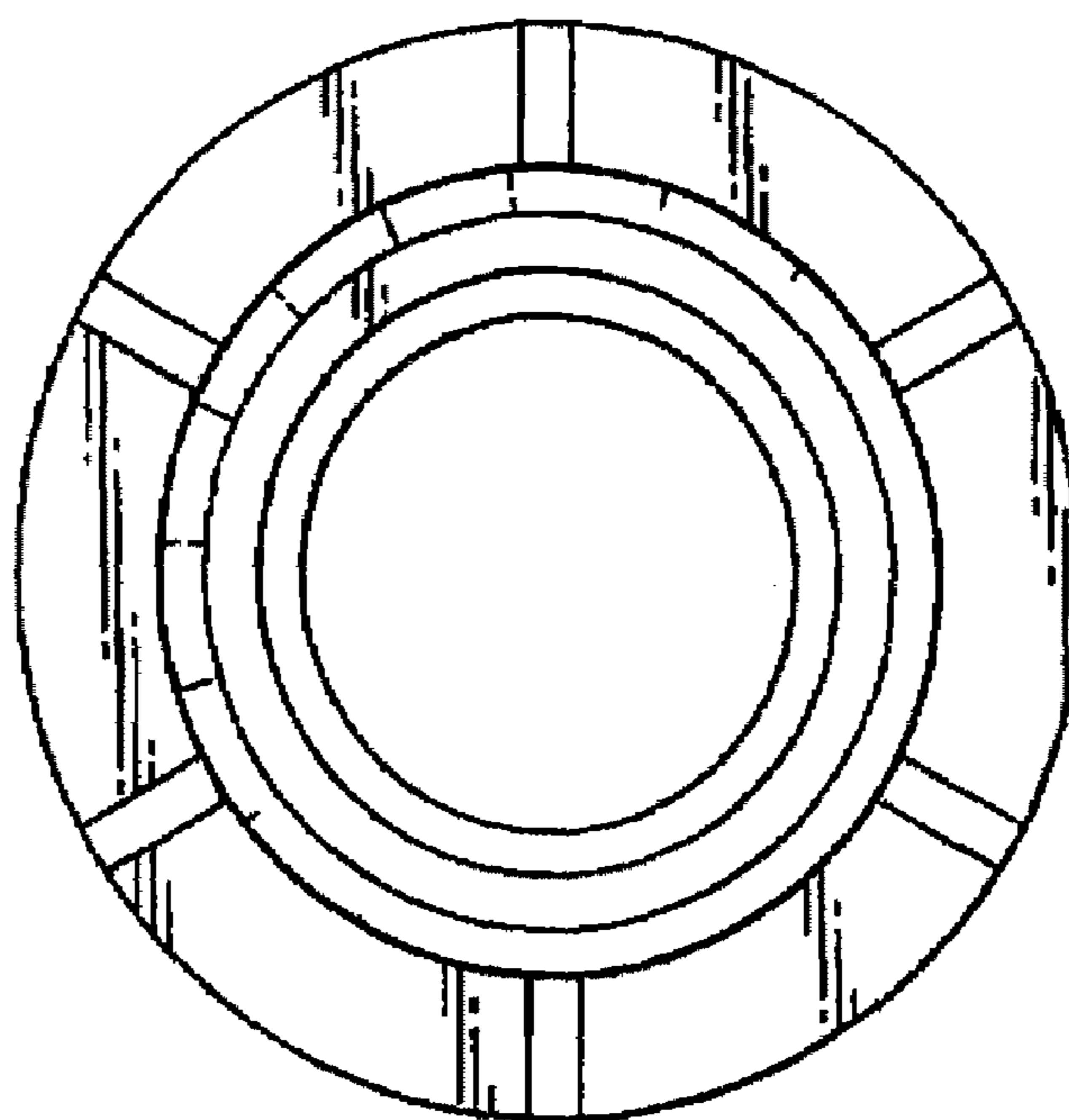


FIG. 3

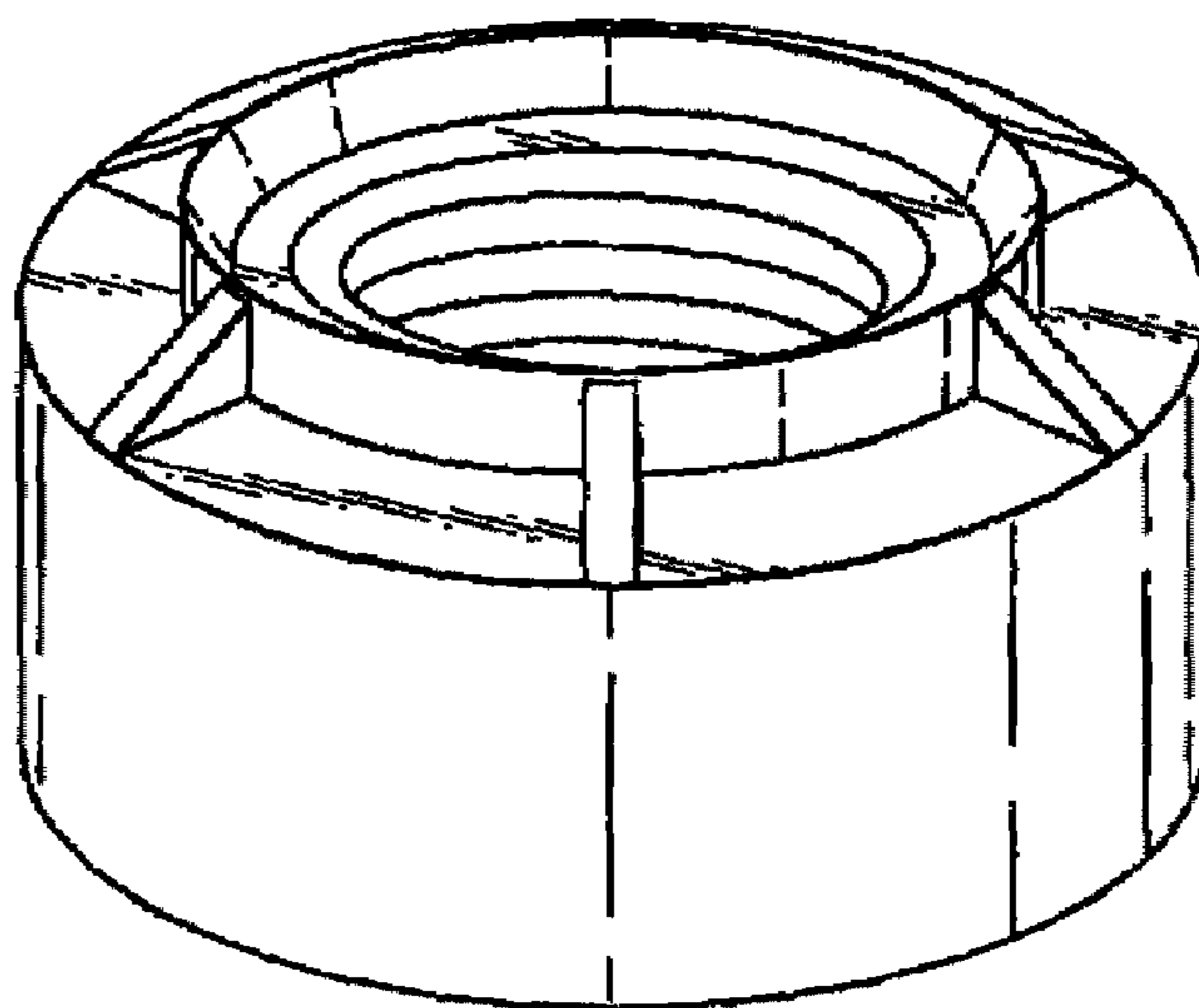


FIG. 4

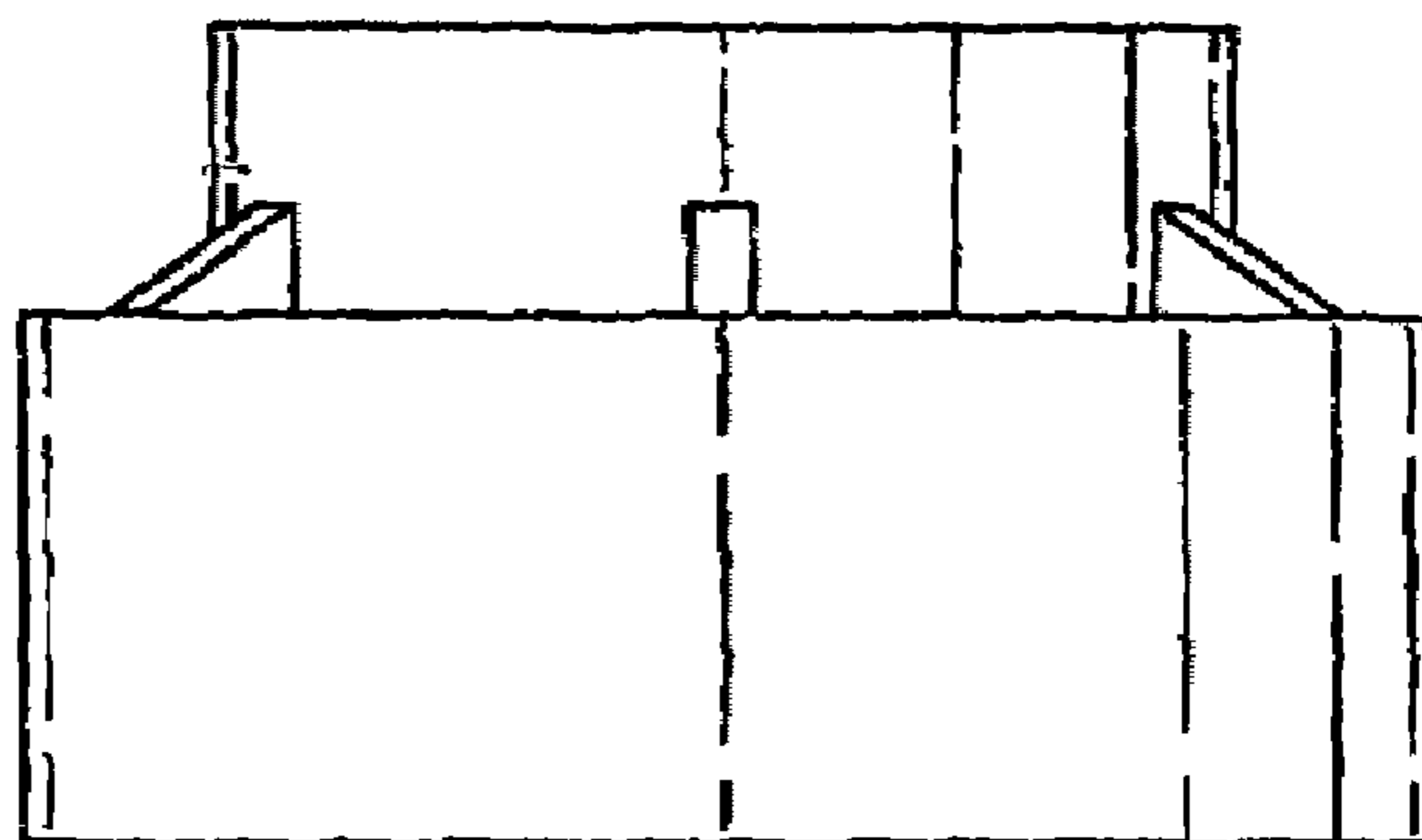


FIG. 5

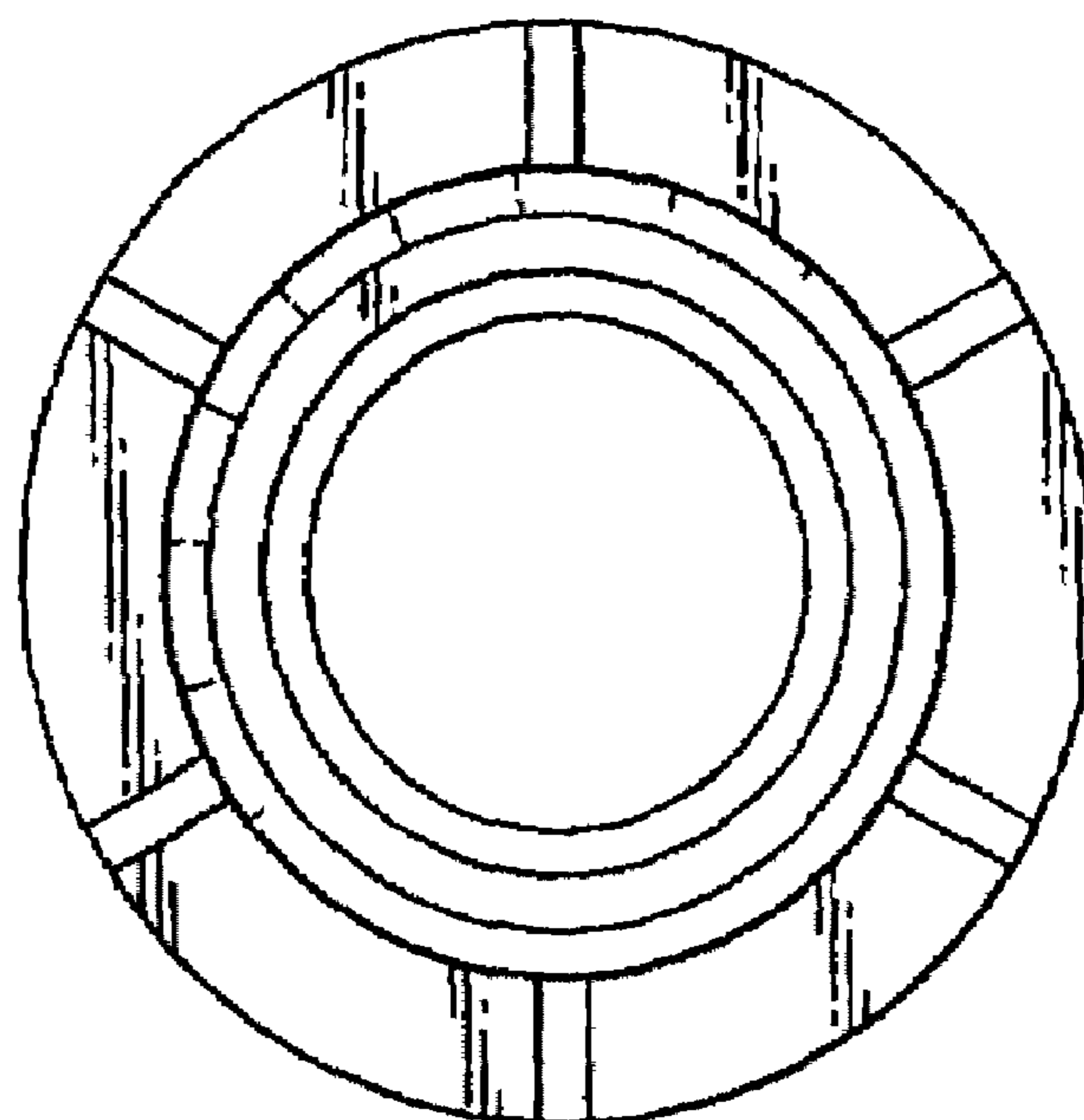


FIG. 6

