



US00D613594S

(12) **United States Design Patent**
Huang

(10) **Patent No.:** **US D613,594 S**

(45) **Date of Patent:** **** Apr. 13, 2010**

(54) **LUG NUT COVER WITH A
COUNTERCLOCKWISE SPIRAL DESIGN**

6,540,750 B2 * 4/2003 Burkhart 606/232
D581,777 S * 12/2008 Huang D8/397

(75) Inventor: **Nan Huang Huang**, Rancho Palos
Verdes, CA (US)

* cited by examiner

Primary Examiner—Robert M Spear

Assistant Examiner—Cynthia Underwood

(73) Assignee: **Grand General Accessories
Manufacturing**, Rancho Dominguez,
CA (US)

(74) *Attorney, Agent, or Firm*—Thomas I. Rozsa

(**) Term: **14 Years**

(21) Appl. No.: **29/312,374**

(22) Filed: **Oct. 17, 2008**

(51) **LOC (9) Cl.** **08-08**

(52) **U.S. Cl.** **D8/397; D12/213**

(58) **Field of Classification Search** D8/397,
D8/394, 382, 349, 387, 398, 399, 12; D12/213;
606/321; 81/121.1; 222/412; 277/630; 411/311,
411/180, 431, 373, 429; 301/37.375, 108.4,
301/37.105

See application file for complete search history.

(56) **References Cited**

U.S. PATENT DOCUMENTS

D225,970	S	*	1/1973	O'Donnell	D8/387
3,897,712	A	*	8/1975	Black	411/373
4,117,643	A	*	10/1978	Lamothe	52/699
5,116,337	A	*	5/1992	Johnson	606/321
5,707,394	A	*	1/1998	Miller et al.	606/232
5,728,136	A	*	3/1998	Thal	606/232
5,810,532	A	*	9/1998	Huang	411/431
5,895,187	A	*	4/1999	Kuo-Tai	411/386
6,361,258	B1	*	3/2002	Heesch	411/178
6,387,129	B2	*	5/2002	Rieser et al.	623/13.14

(57) **CLAIM**

The ornamental design for a lug nut cover with a counter-clockwise spiral design, as shown and described.

DESCRIPTION

FIG. 1 is a side perspective view of a lug nut cover with a counterclockwise spiral design, showing my design.

FIG. 2 is a front elevational view;

FIG. 3 is a rear elevational view;

FIG. 4 is a side elevational view when viewed from the left side;

FIG. 5 is a side elevational view when viewed from the right side;

FIG. 6 is a top plan view;

FIG. 7 is a bottom plan view of a first embodiment;

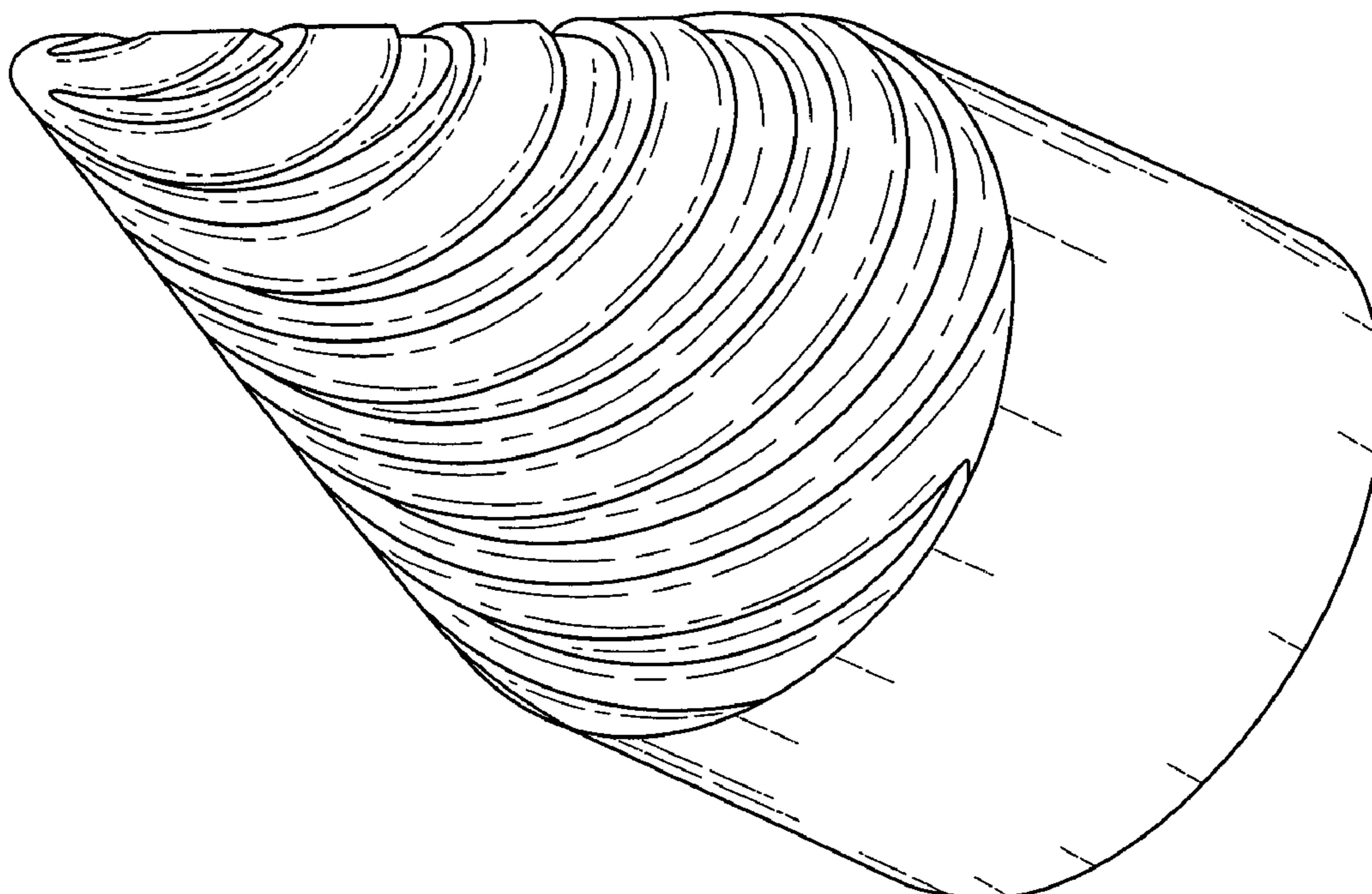
FIG. 8 is a bottom perspective view of the first embodiment;

FIG. 9 is a bottom plan view of the claimed design shown in an alternate condition of use; and,

FIG. 10 is a bottom perspective view of the claimed design shown in an alternate condition of use.

The broken lines represent a portion of the structure that forms no part of the claim.

1 Claim, 6 Drawing Sheets



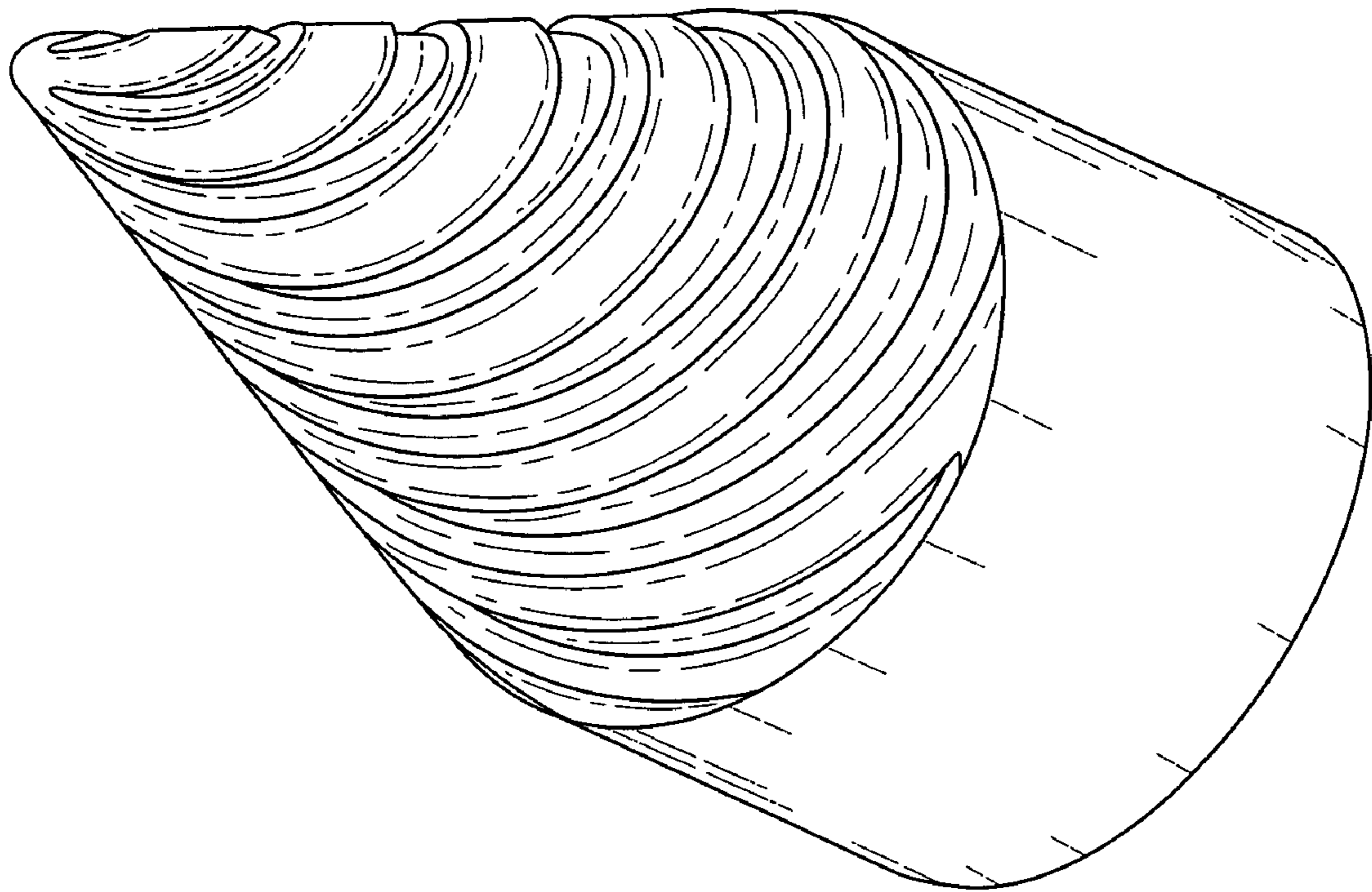


FIG. 1

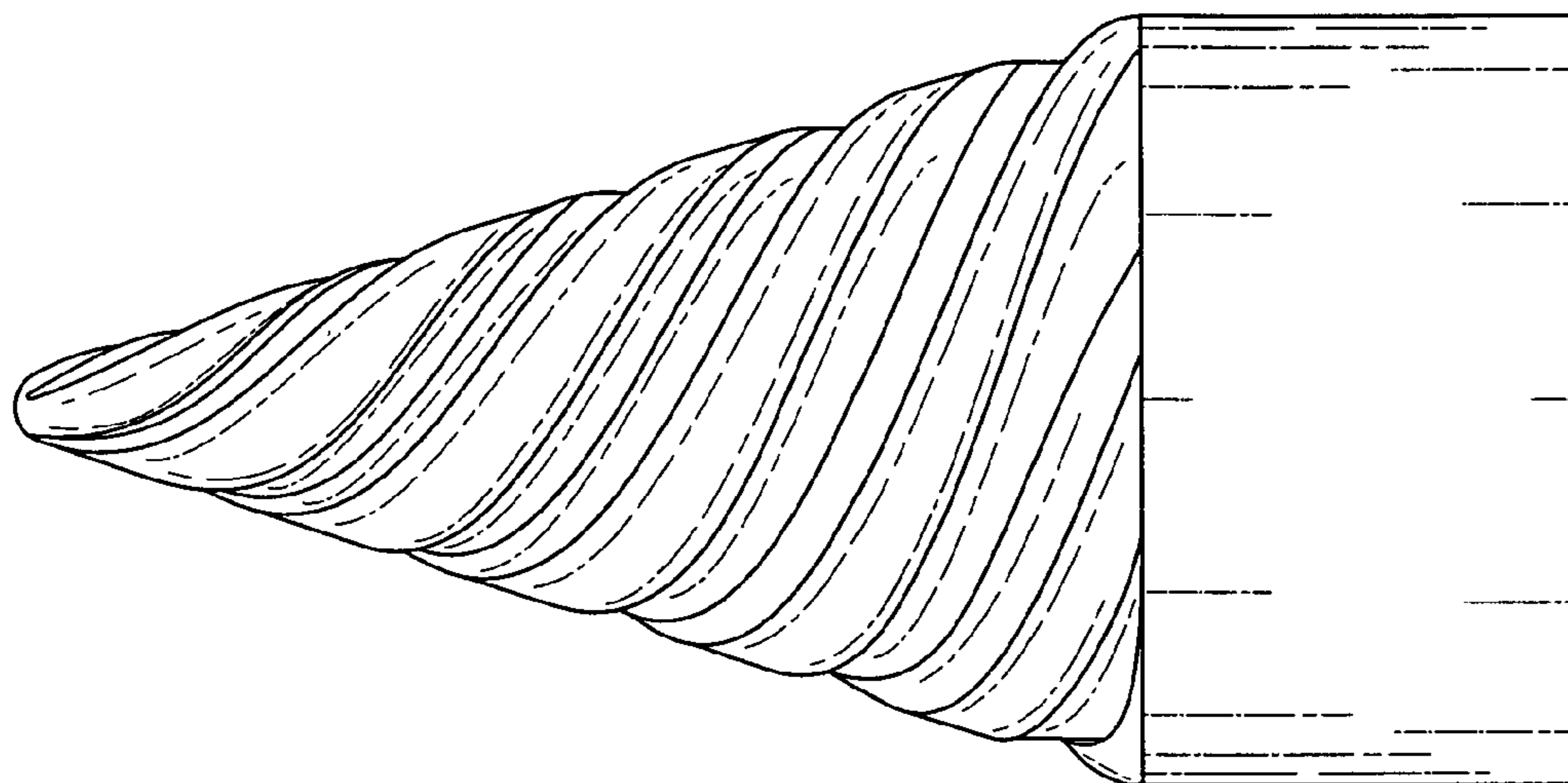


FIG. 2

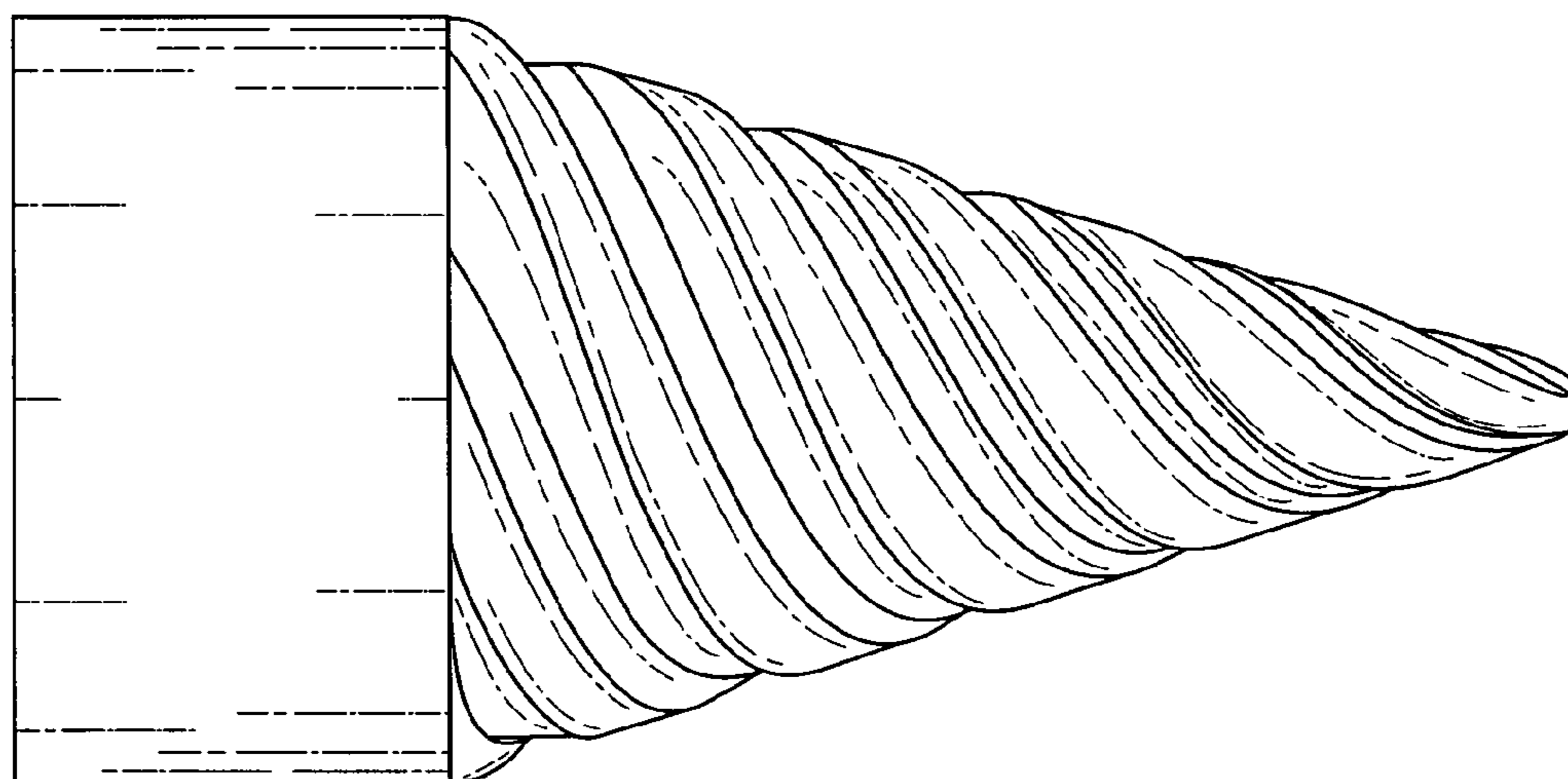


FIG. 3

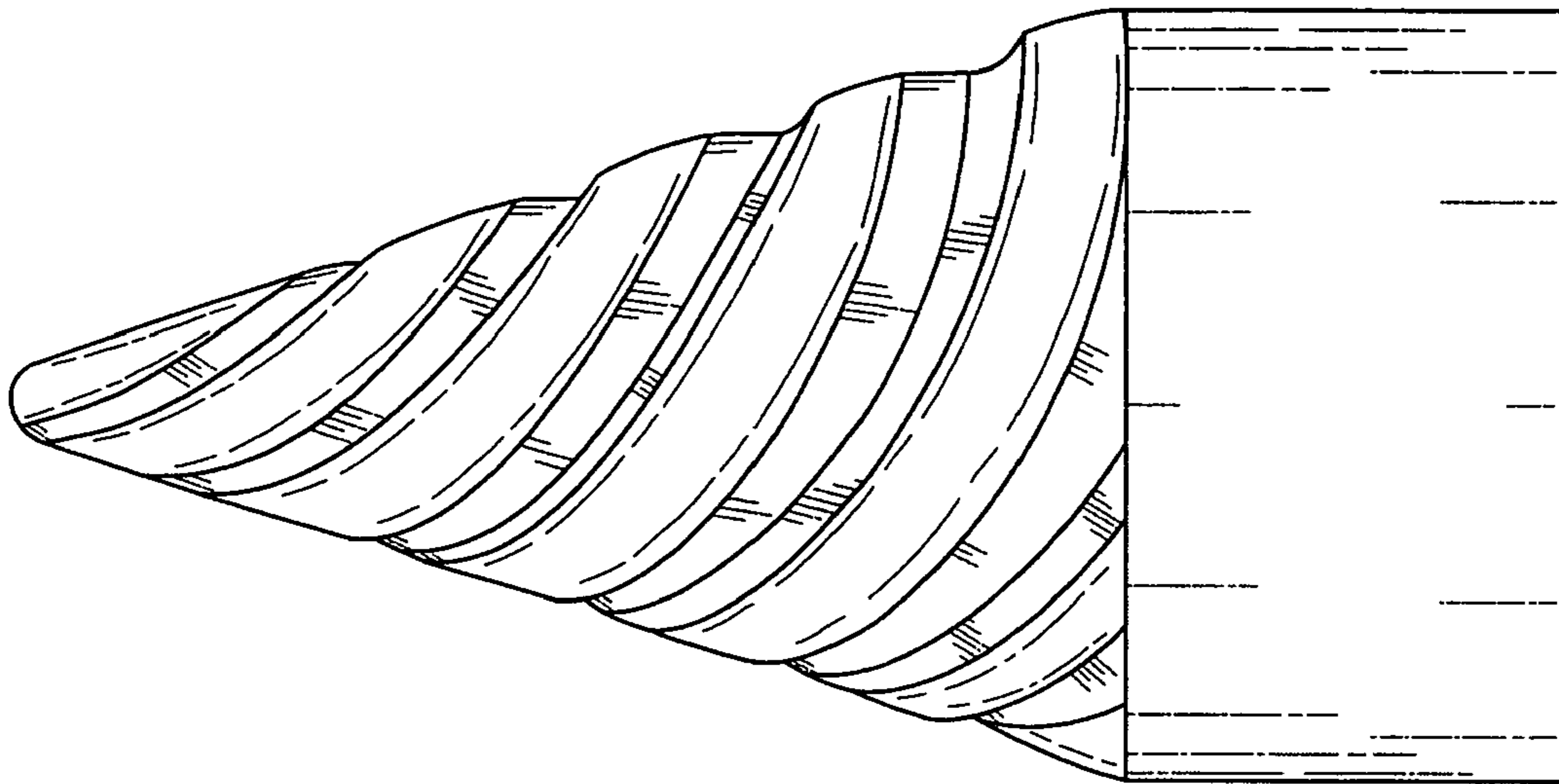


FIG. 4

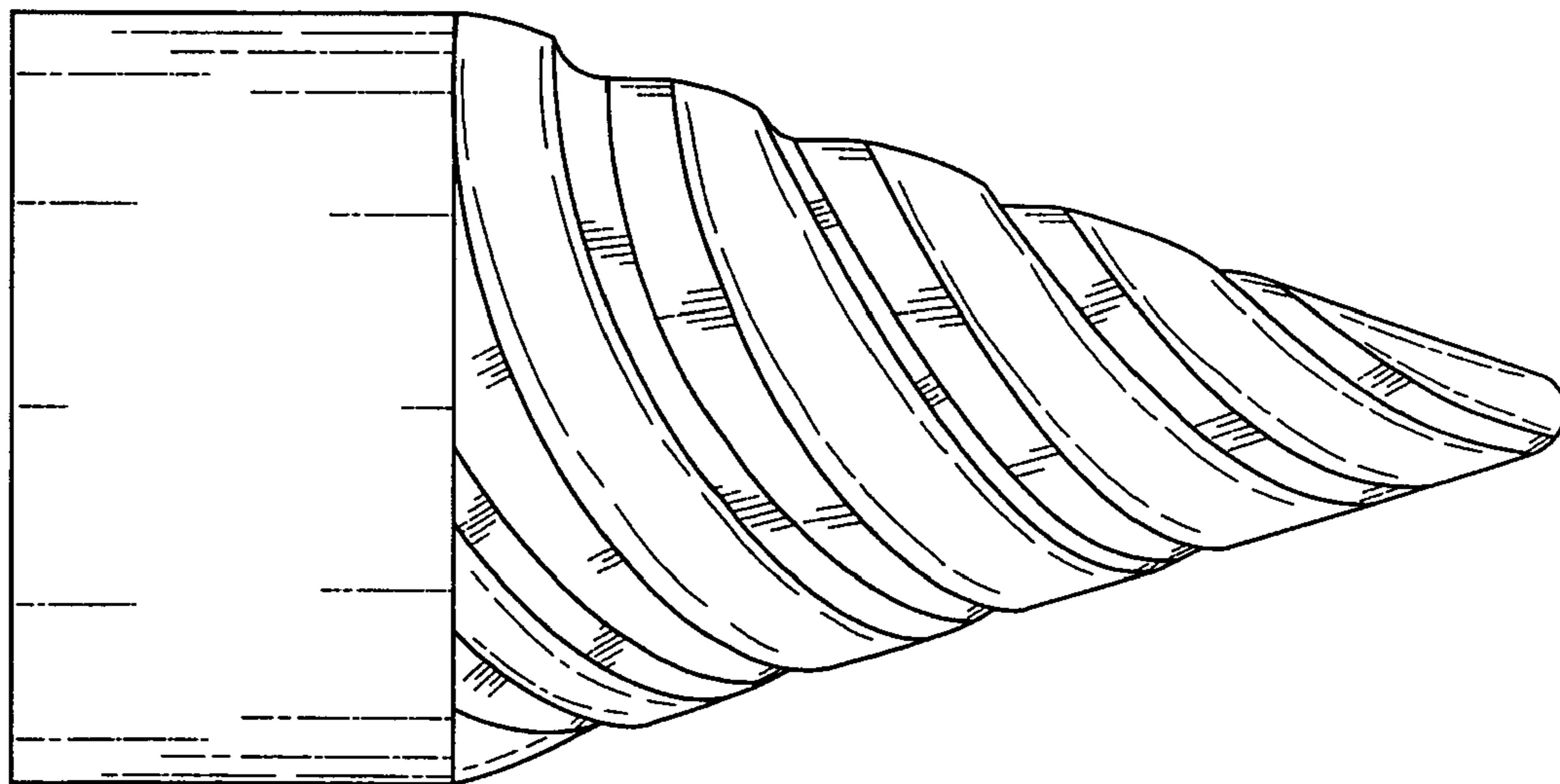


FIG. 5

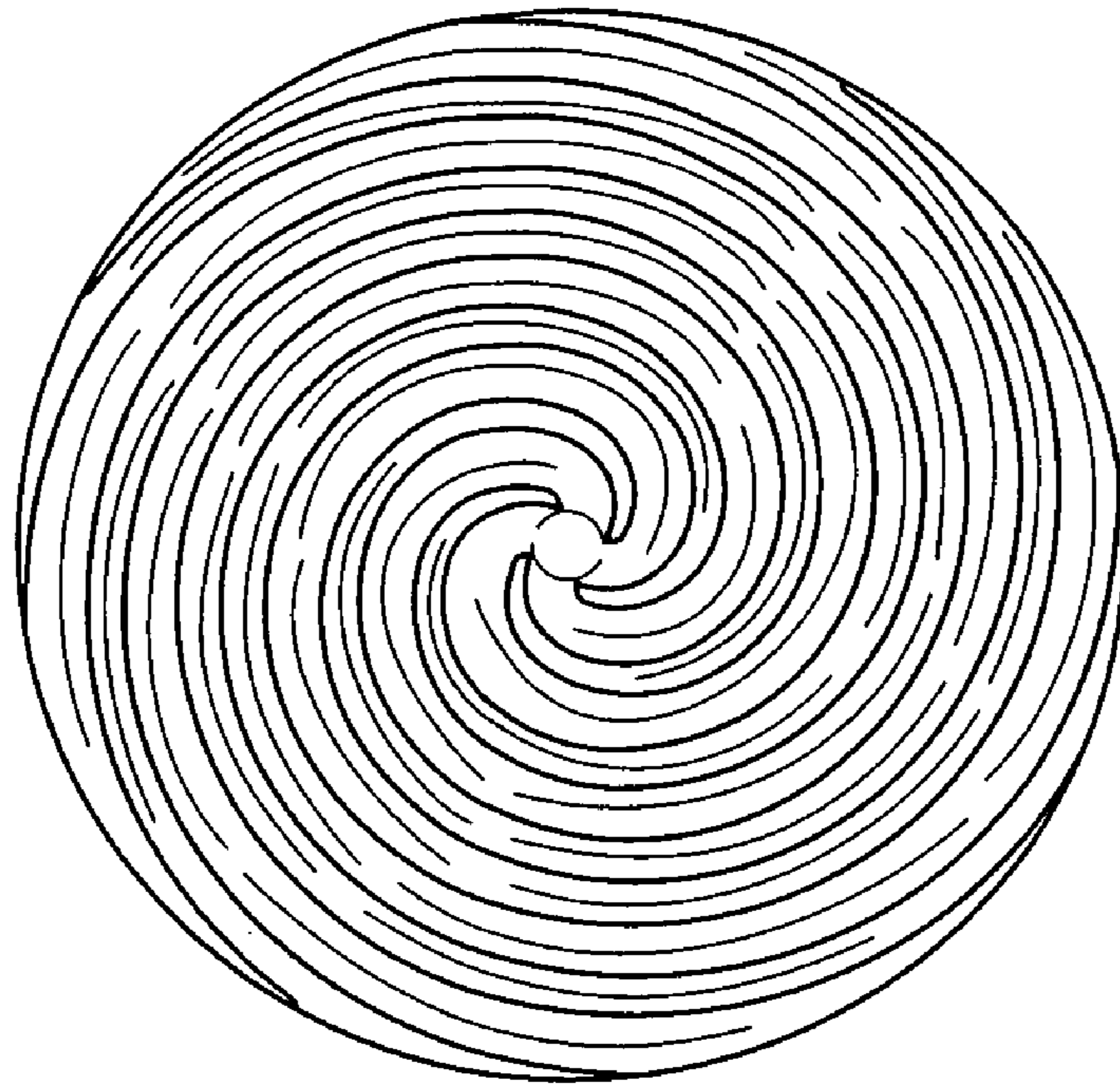


FIG. 6

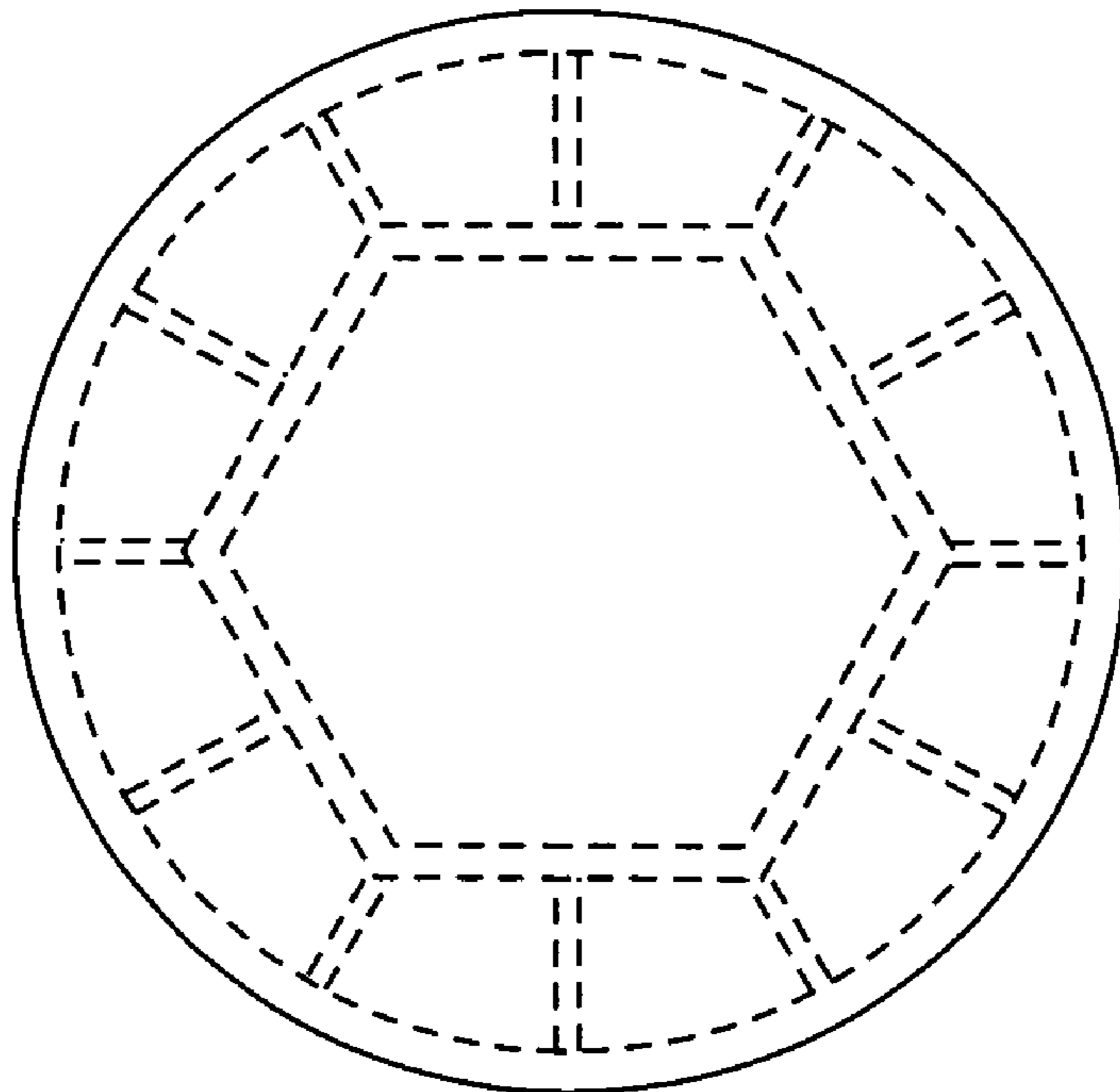


FIG. 7

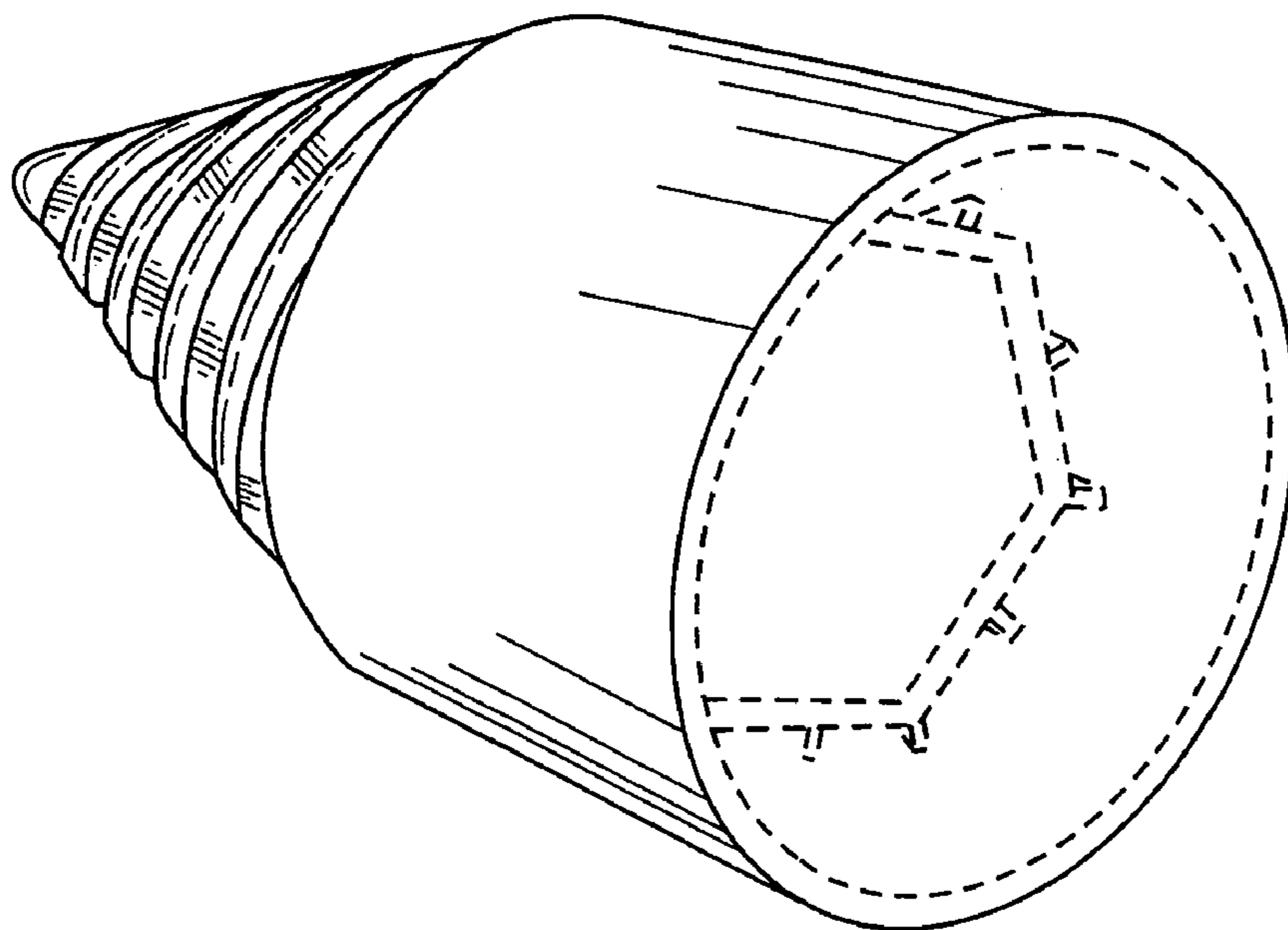


FIG. 8

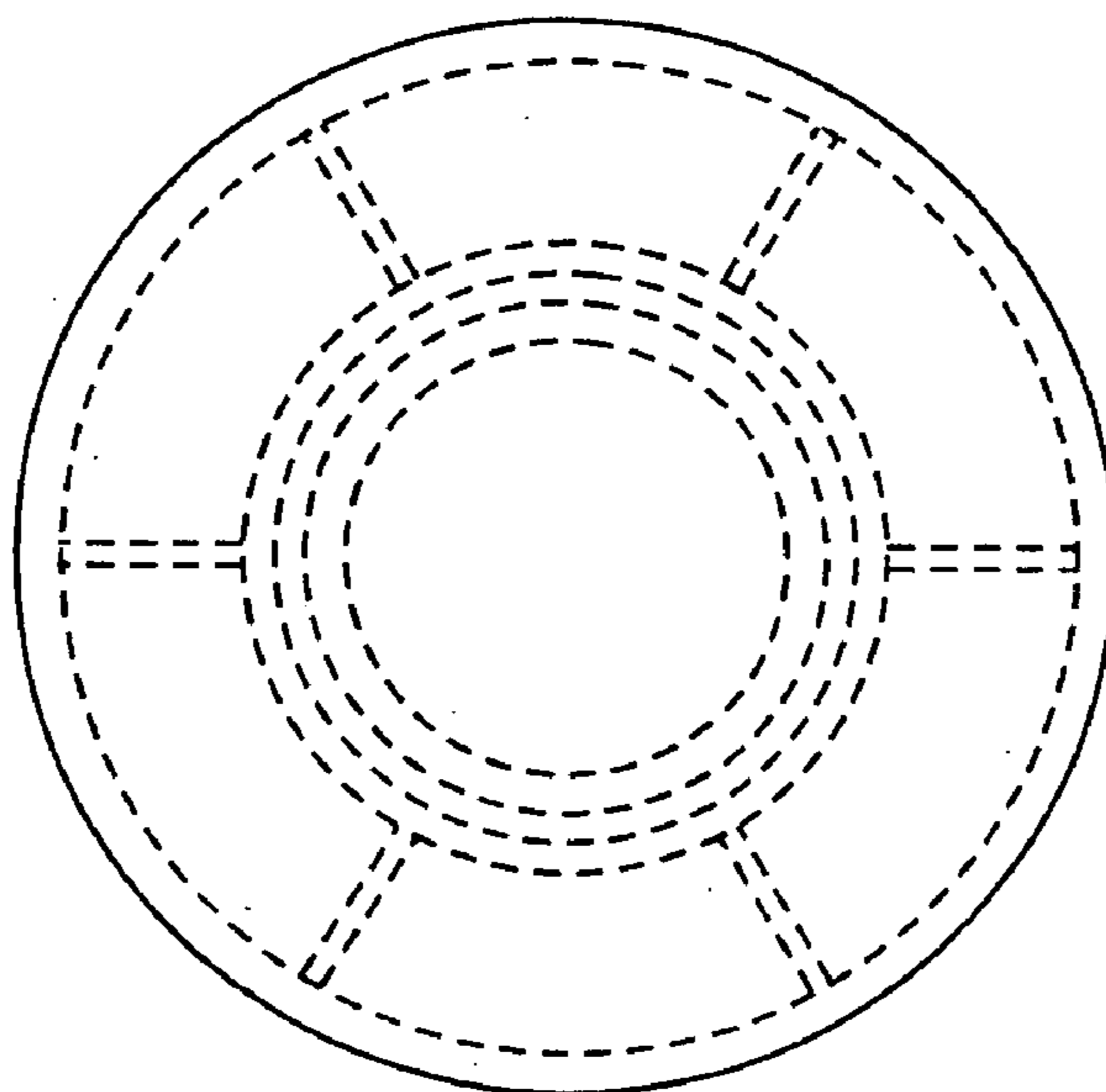


FIG. 9

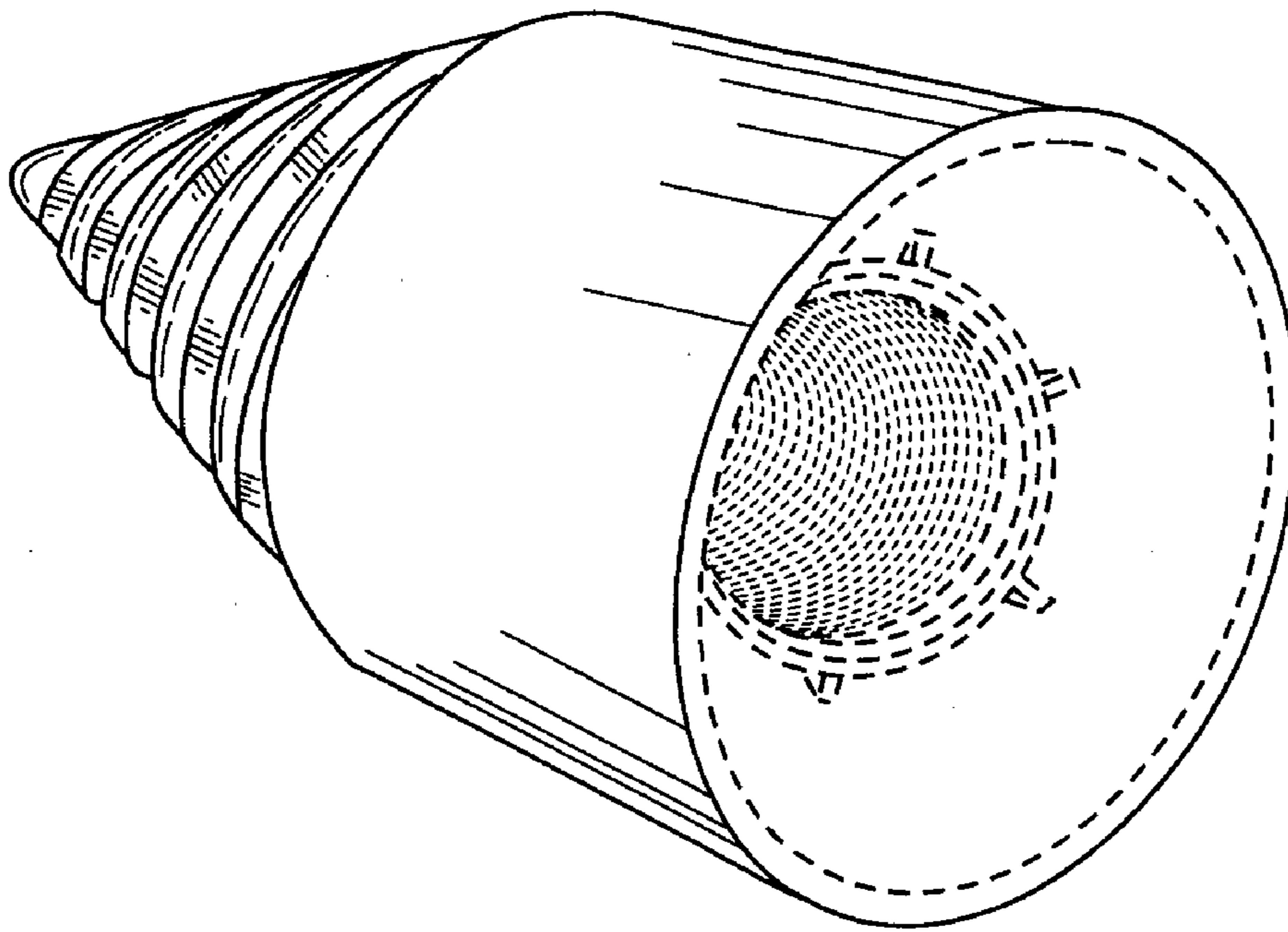


FIG. 10