



US00D613593S

(12) **United States Design Patent**
King

(10) **Patent No.:** **US D613,593 S**
(45) **Date of Patent:** **** Apr. 13, 2010**

(54) **INSTALLATION PILOT DEVICE**
(75) Inventor: **Robert King**, Laconia, NH (US)
(73) Assignee: **Fiber Composites, LLC**, Providence, RI (US)

5,590,986 A 1/1997 Juang
5,649,661 A 7/1997 Masuno et al.
5,743,684 A 4/1998 Rex
5,775,048 A * 7/1998 Orchard 52/712
5,868,183 A 2/1999 Kozyrski et al.
5,906,539 A 5/1999 Tabel
5,997,209 A 12/1999 Sachs

(**) Term: **14 Years**

(Continued)

(21) Appl. No.: **29/322,317**

FOREIGN PATENT DOCUMENTS

(22) Filed: **Aug. 1, 2008**

DE 43 31 689 A1 3/1994

(51) **LOC (9) Cl.** **08-08**

(Continued)

(52) **U.S. Cl.** **D8/382**

(58) **Field of Classification Search** 52/650.3,
52/586.1, 582.1; D8/382, 349, 354; D25/114
See application file for complete search history.

OTHER PUBLICATIONS

Fink, "Deck Fastener" Apr./May 2006, Fine Homebuilding pp. 78-82
[http://www.taunton.com/finehomebuilding/PDF/Free/021178078.pdf].

(56) **References Cited**

U.S. PATENT DOCUMENTS

Primary Examiner—Holly H Baynham
Assistant Examiner—Sheryl Lane
(74) *Attorney, Agent, or Firm*—Kenyon & Kenyon LLP

1,016,383 A 2/1912 Wellman
1,936,028 A 11/1933 Rockwell
2,660,727 A 12/1953 Thornton
2,768,376 A 10/1956 Critchley
2,774,969 A 12/1956 Samples
2,822,544 A 2/1958 Anstett
2,866,199 A 12/1958 Freeman et al.
2,994,878 A 8/1961 Abrahamsen
3,010,496 A 11/1961 Bruce
3,012,247 A 12/1961 Sillars et al.
3,112,488 A 12/1963 Dettloff et al.
3,147,484 A 9/1964 Nelson
3,281,046 A 10/1966 Boulay
3,360,176 A 12/1967 Gehl et al.
3,496,974 A 2/1970 Munsil et al.
3,542,273 A 11/1970 Hedrick
3,788,632 A 1/1974 Lukas
4,620,403 A 11/1986 Field
4,742,856 A 5/1988 Hehr et al.
4,965,980 A 10/1990 Leavens
5,027,573 A 7/1991 Commins et al.
5,160,211 A * 11/1992 Gilb 403/231
5,322,396 A 6/1994 Blacker
5,497,593 A 3/1996 Riesberg
5,507,607 A 4/1996 Ericksen et al.

(57) **CLAIM**

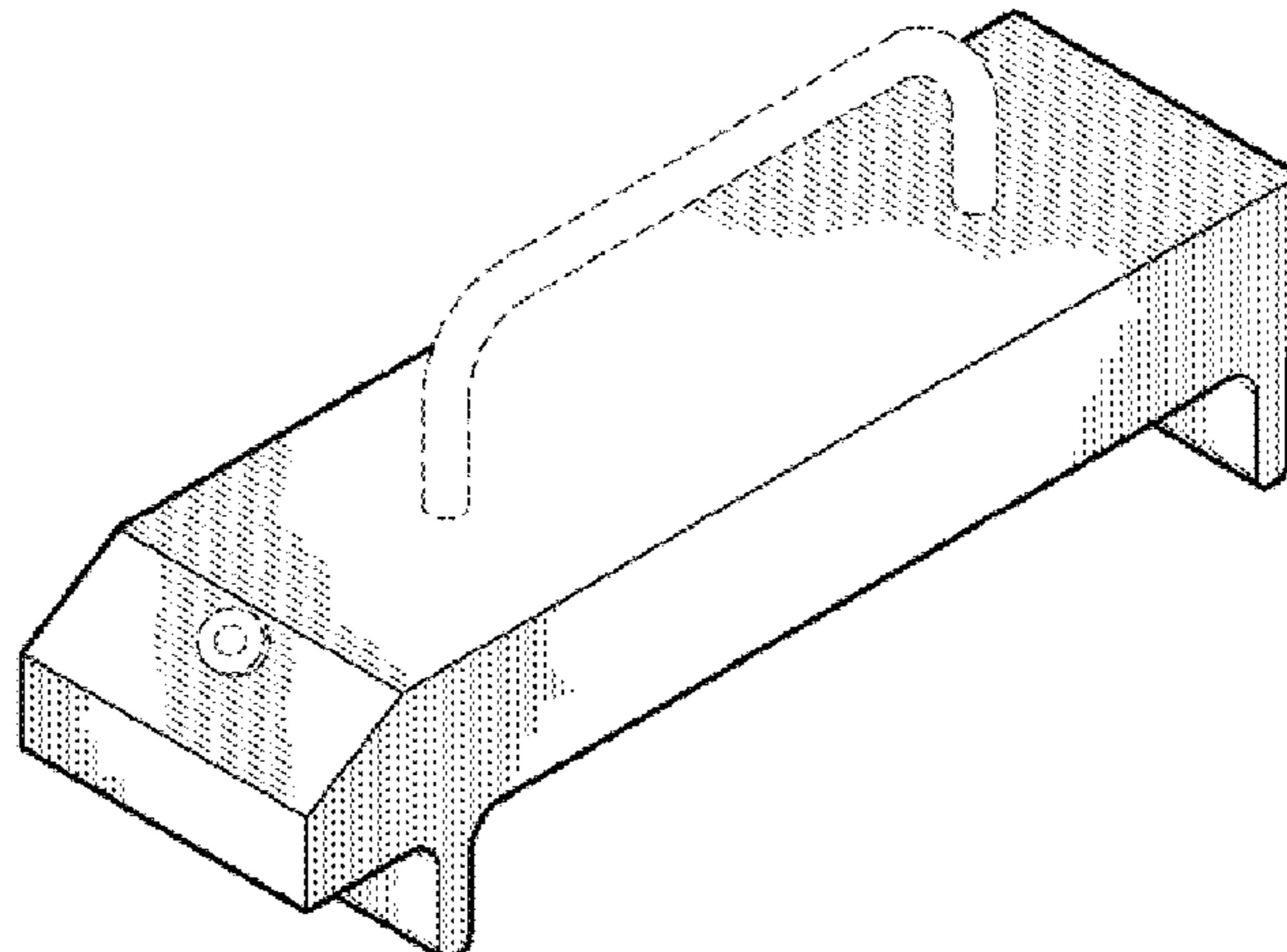
The ornamental design for an installation pilot device, as shown and described.

DESCRIPTION

FIG. 1 is a perspective view of an embodiment of an installation pilot device showing my new design;
FIG. 2 is a left side view thereof;
FIG. 3 is a right side view thereof;
FIG. 4 is a top view thereof;
FIG. 5 is a bottom view thereof;
FIG. 6 is a front view thereof; and,
FIG. 7 is a rear view thereof.

The broken line portions shown in FIGS. 1 to 7 are for illustrative purposes only and form no part of the claimed design.

1 Claim, 4 Drawing Sheets



US D613,593 S

Page 2

U.S. PATENT DOCUMENTS

D427,050 S * 6/2000 Bryan D8/382
6,071,054 A 6/2000 Tebo
6,283,685 B1 9/2001 Lemieux
6,286,742 B1 9/2001 Mukoyama
D451,785 S * 12/2001 Chaney et al. D8/354
6,394,712 B1 5/2002 Weinstein et al.
6,402,415 B1 6/2002 Eberle, III
6,481,937 B1 11/2002 Sommerfeld et al.
D470,039 S 2/2003 Pelc
6,631,836 B2 10/2003 Dickhaut
D488,373 S * 4/2004 Eberle D8/382
6,851,884 B2 2/2005 Eberle
7,044,460 B2 5/2006 Bolton
7,104,022 B2 * 9/2006 Burgess 52/702

D547,169 S * 7/2007 Harris D8/382
D562,119 S * 2/2008 Prichard et al. D8/382
7,325,367 B2 * 2/2008 Burgess 52/702
D568,147 S * 5/2008 Prichard et al. D8/382
7,409,803 B2 * 8/2008 Grohman 52/489.1
D585,269 S * 1/2009 Prichard et al. D8/382
7,516,586 B2 * 4/2009 Riccitelli 52/586.1
2001/0038026 A1 11/2001 Dickhaut
2005/0278934 A1 12/2005 Orchard
2006/0261129 A1 11/2006 McGee et al.

FOREIGN PATENT DOCUMENTS

EP 1 595 627 A2 11/2005

* cited by examiner

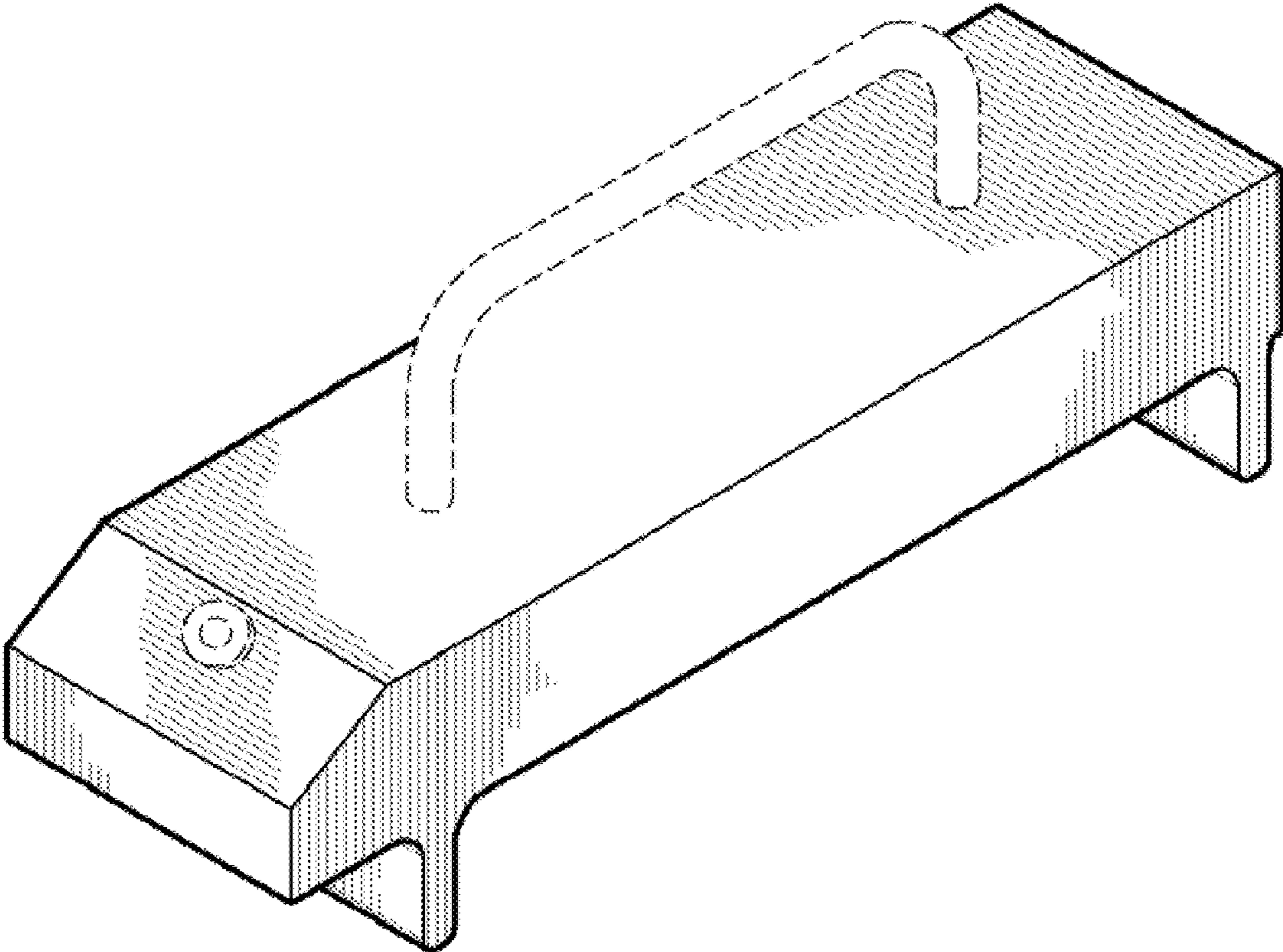


FIG. 1

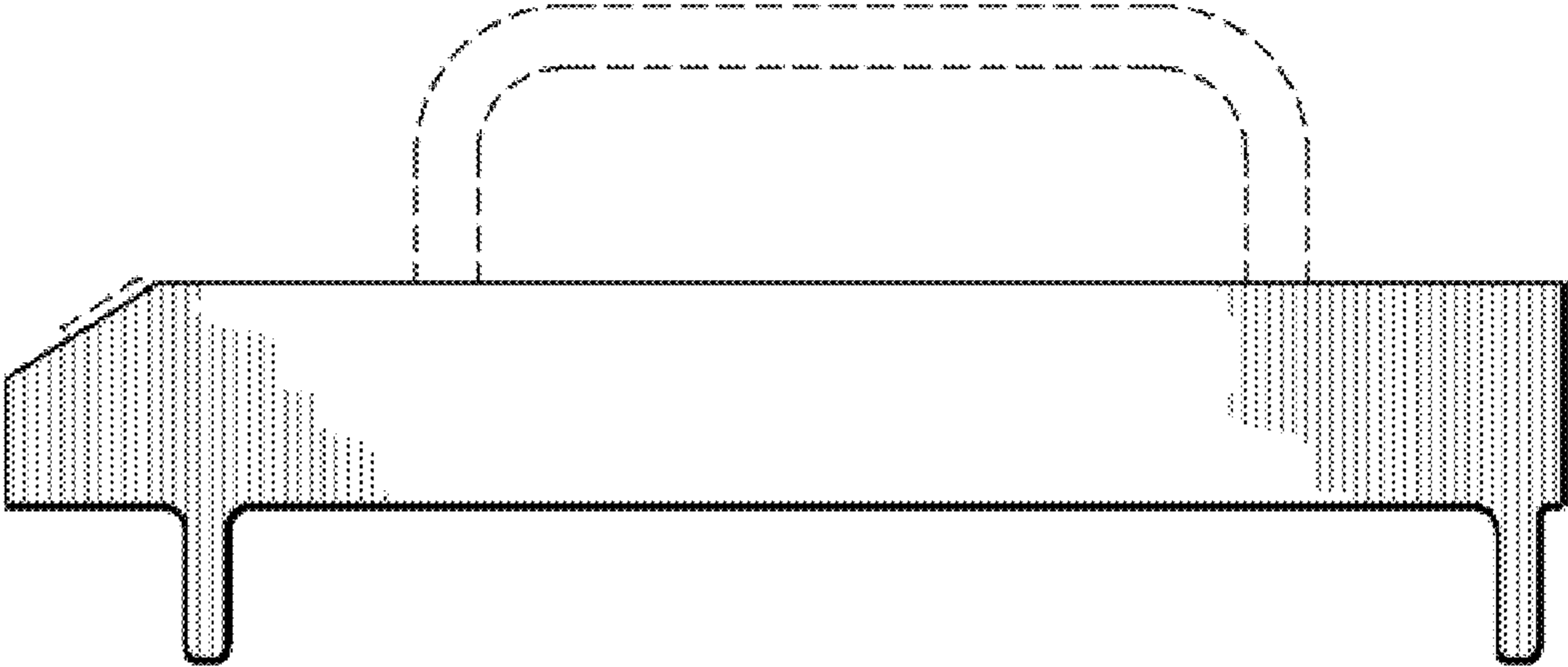


FIG. 2

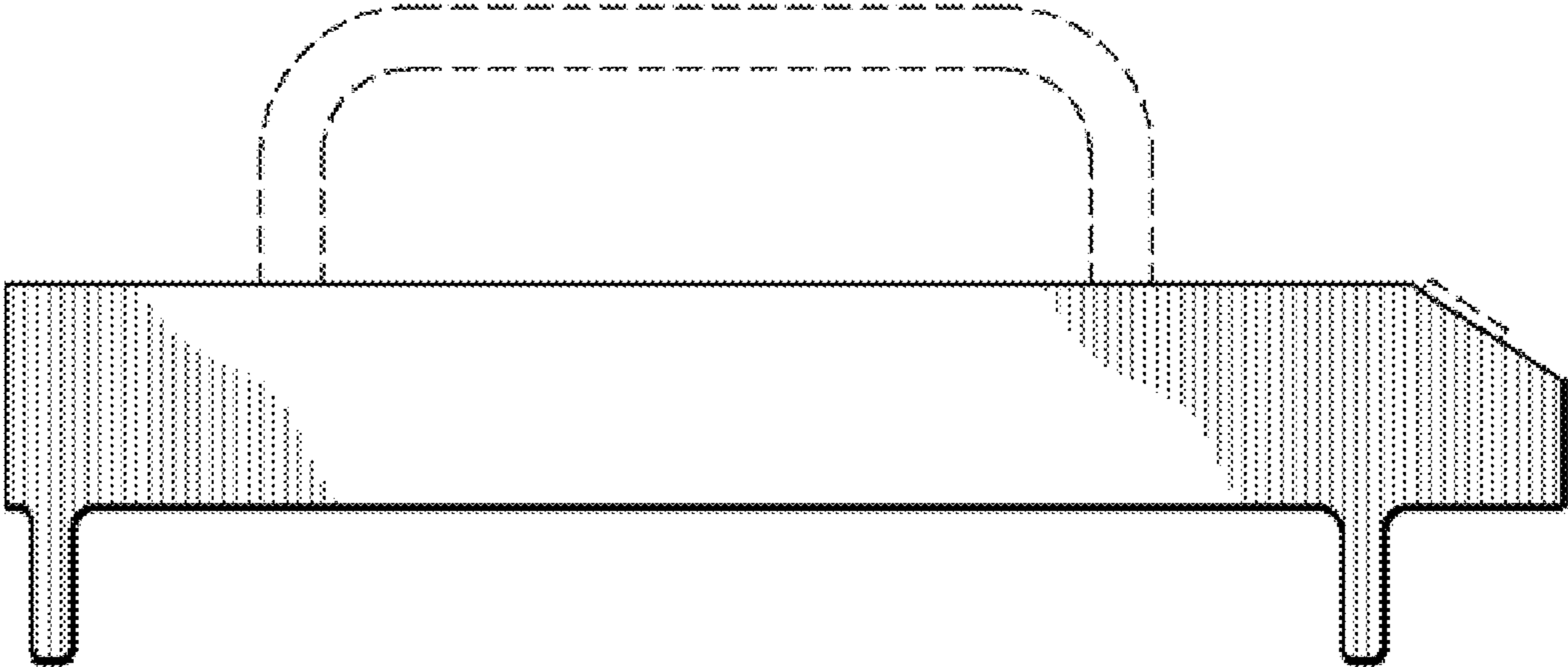


FIG. 3

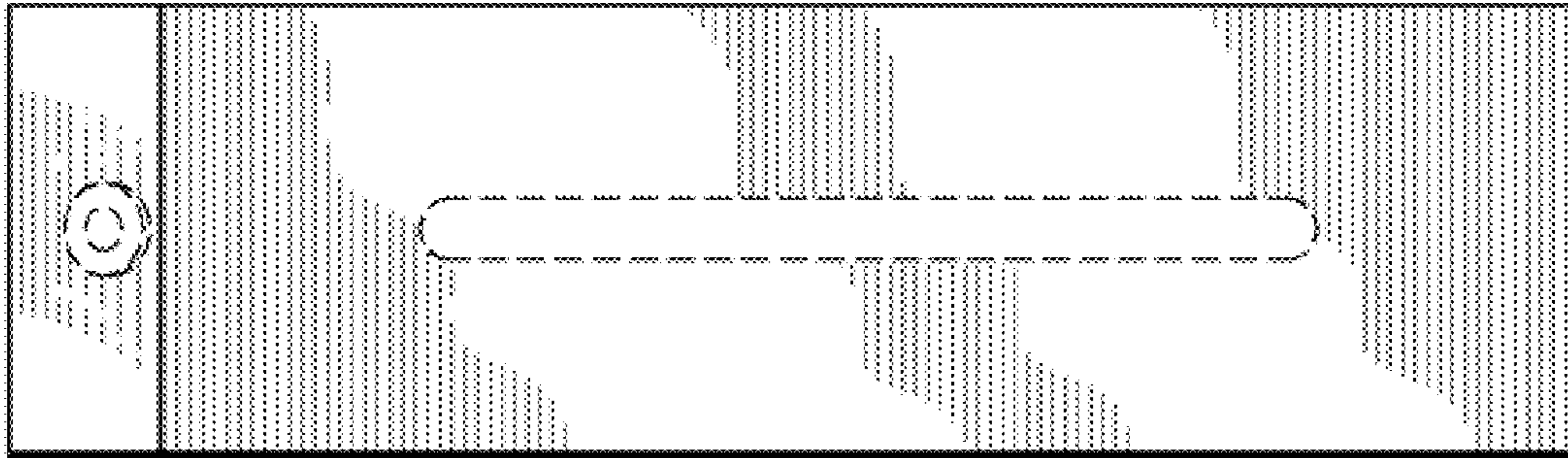


FIG. 4



FIG. 5

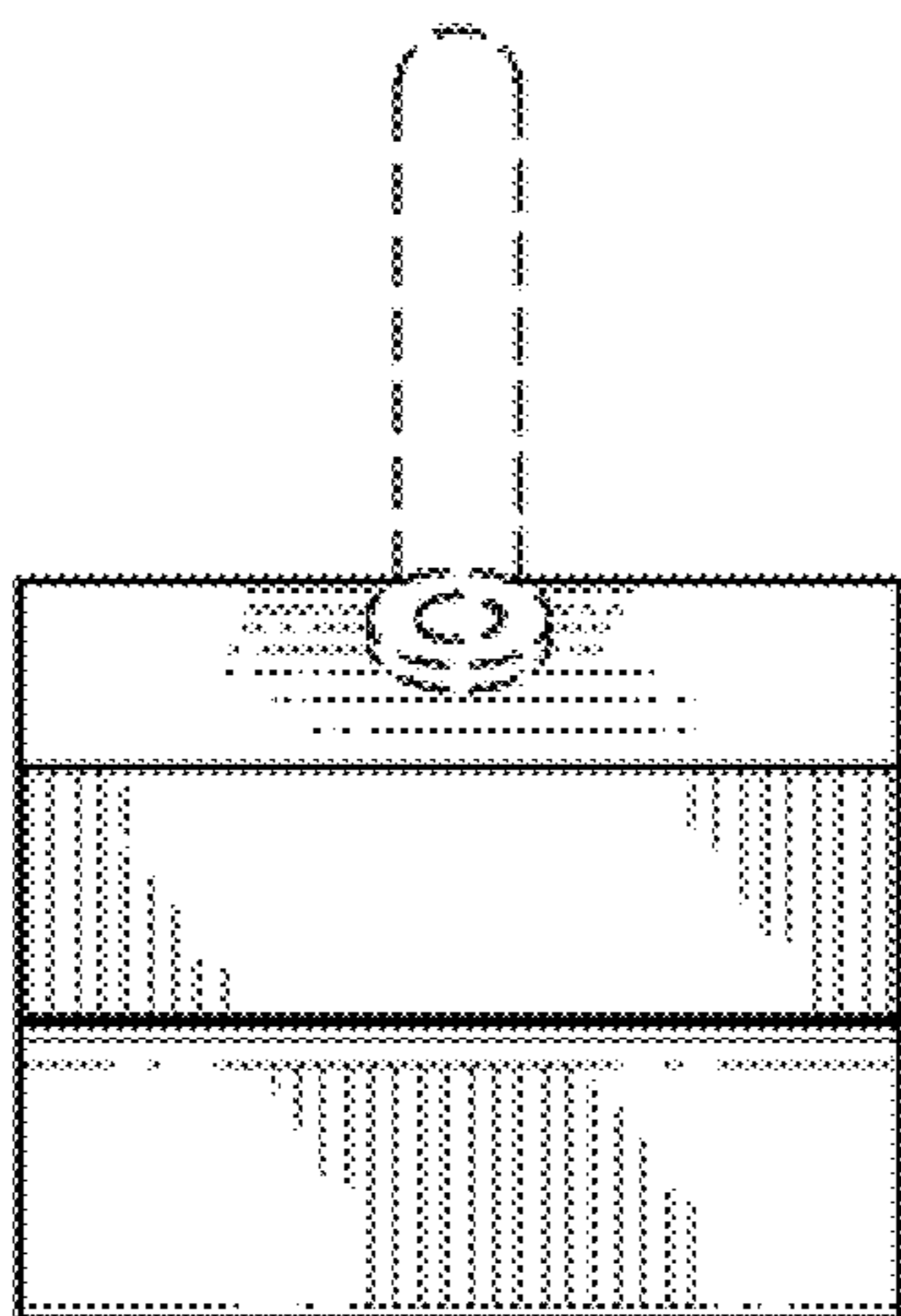


FIG. 6

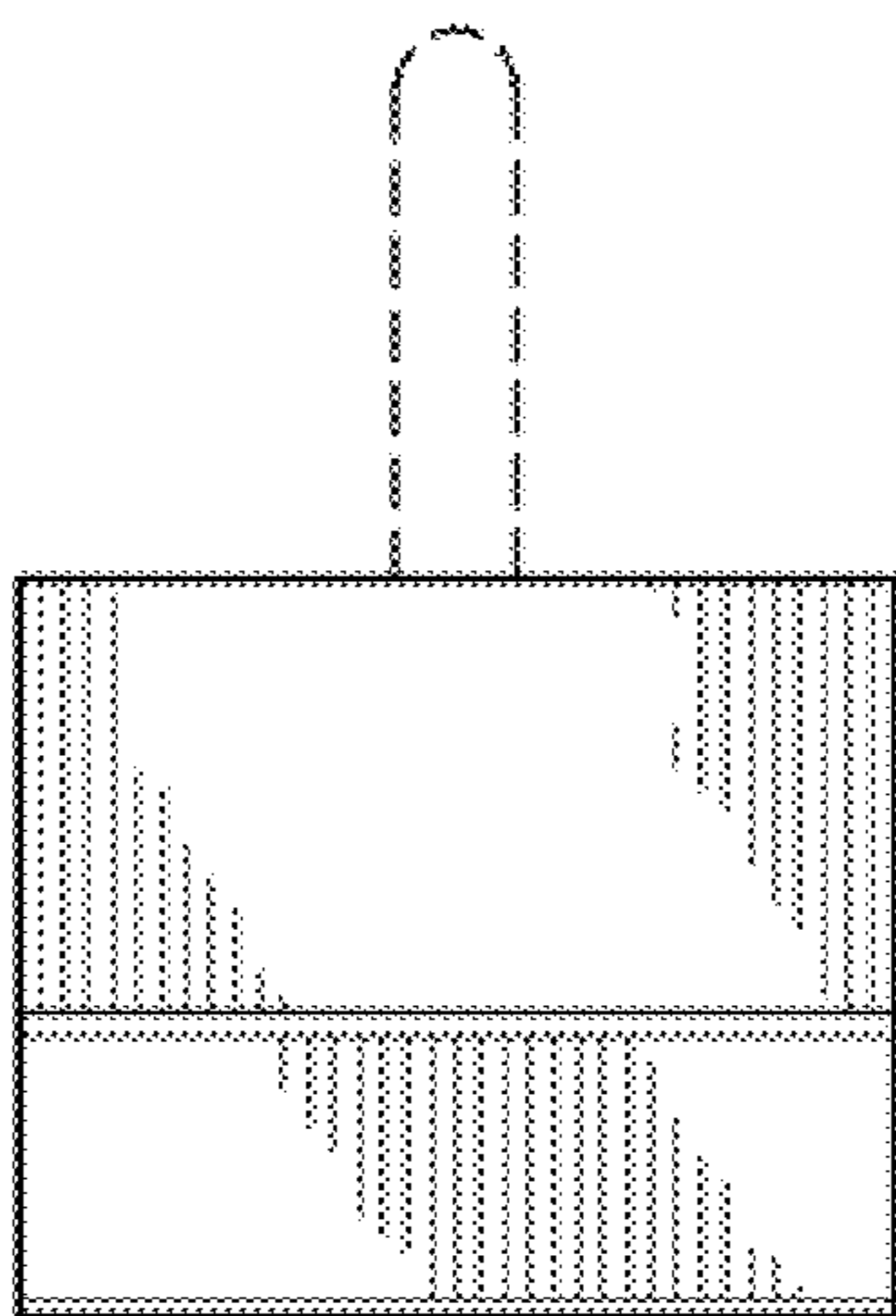


FIG. 7