



US00D613592S

(12) **United States Design Patent**
Clark

(10) **Patent No.:** **US D613,592 S**
(45) **Date of Patent:** **** Apr. 13, 2010**

(54) **PIÑATA SUPPORTING ASSEMBLY**

Primary Examiner—Holly H Baynham

(76) Inventor: **Sheryl M. Clark**, 21342 Foxglove Ct.,
Lexington Park, MD (US) 20653

(57) **CLAIM**

The ornamental design for a piñata supporting assembly, as shown and described.

(**) Term: **14 Years**

(21) Appl. No.: **29/336,699**

DESCRIPTION

(22) Filed: **May 7, 2009**

(51) **LOC (9) Cl.** **08-05**

(52) **U.S. Cl.** **D8/373**

(58) **Field of Classification Search** D8/367,
D8/373; 248/302–303, 124.1, 165
See application file for complete search history.

FIG. 1 is a right elevated view of a piñata supporting assembly showing my new design;

FIG. 2 is a rear elevated view of the piñata supporting assembly;

FIG. 3 is a front elevated view of the piñata supporting assembly;

FIG. 4 is a top plan view of the piñata supporting assembly; and

FIG. 5 is a bottom plan view of the piñata supporting assembly.

FIG. 6 is a left side view of the piñata supporting assembly; and,

FIG. 7 is a bottom isometric view of the piñata supporting assembly.

The broken lines shown in FIG. 6 are for illustrative purposes only and form no part of the claimed design.

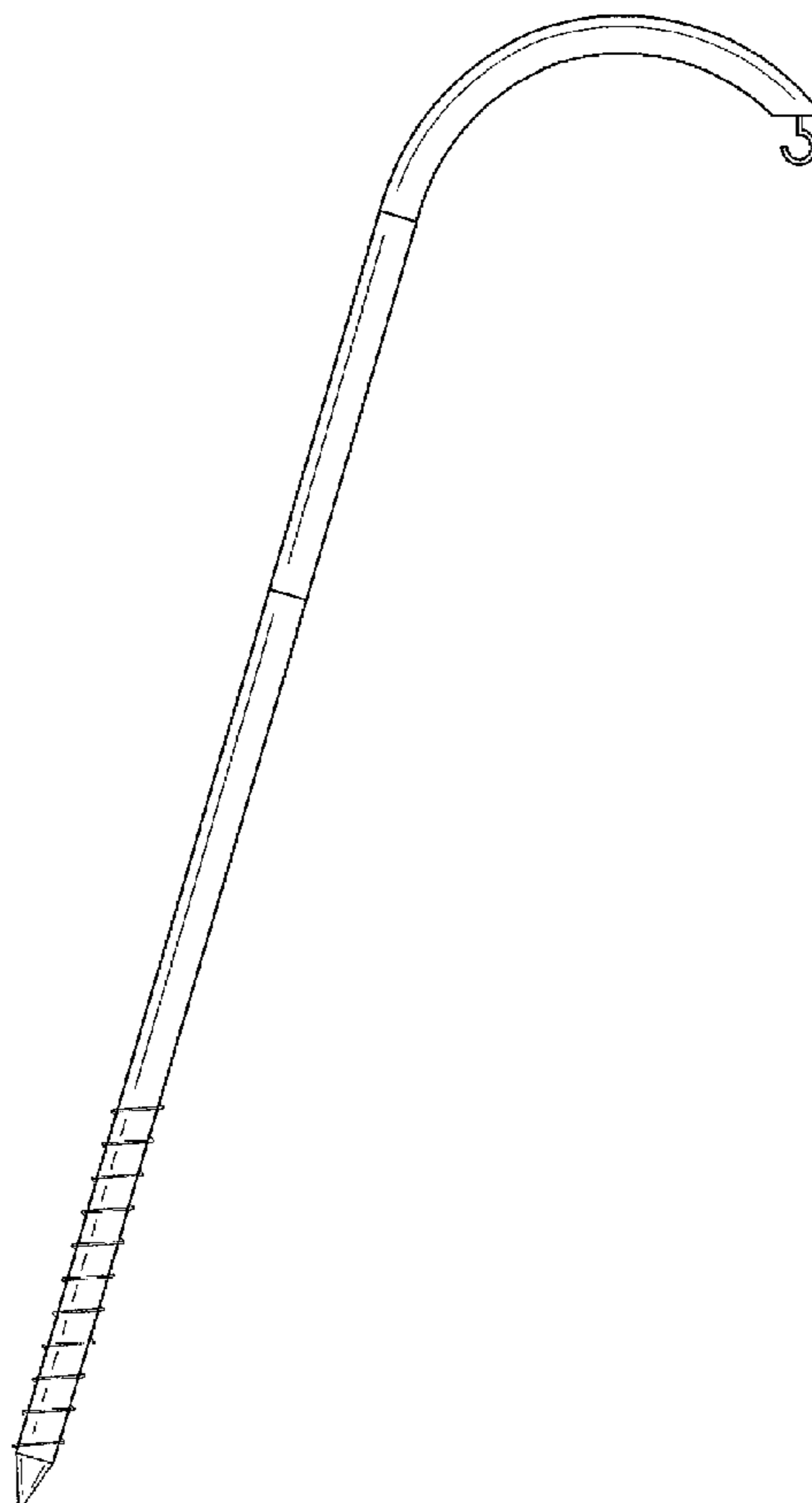
(56) **References Cited**

U.S. PATENT DOCUMENTS

281,832	A	7/1883	Bryan	
4,832,337	A	5/1989	Estrada	
5,108,058	A *	4/1992	White	248/126
5,313,910	A *	5/1994	Wittman	119/57.9
D382,677	S *	8/1997	Muir	D30/133
6,386,492	B1 *	5/2002	Brown et al.	248/124.1
6,412,736	B1	7/2002	Zaragoza	
6,669,152	B2	12/2003	Hernandez	
D486,378	S *	2/2004	Filipiak	D8/367
6,685,146	B1	2/2004	Sanchez, Jr.	

* cited by examiner

1 Claim, 5 Drawing Sheets



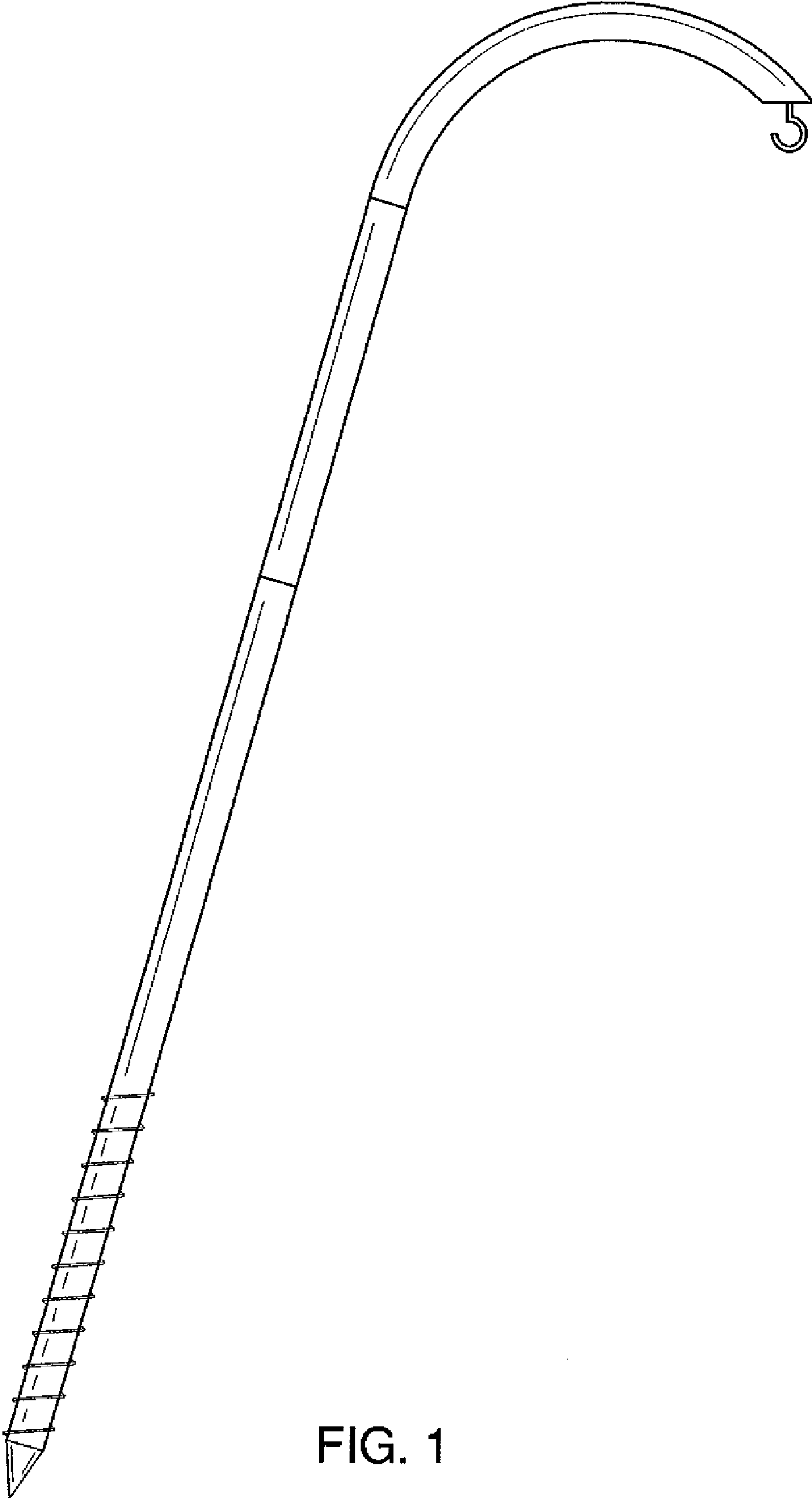


FIG. 1



FIG. 2



FIG. 3



FIG. 4



FIG. 5

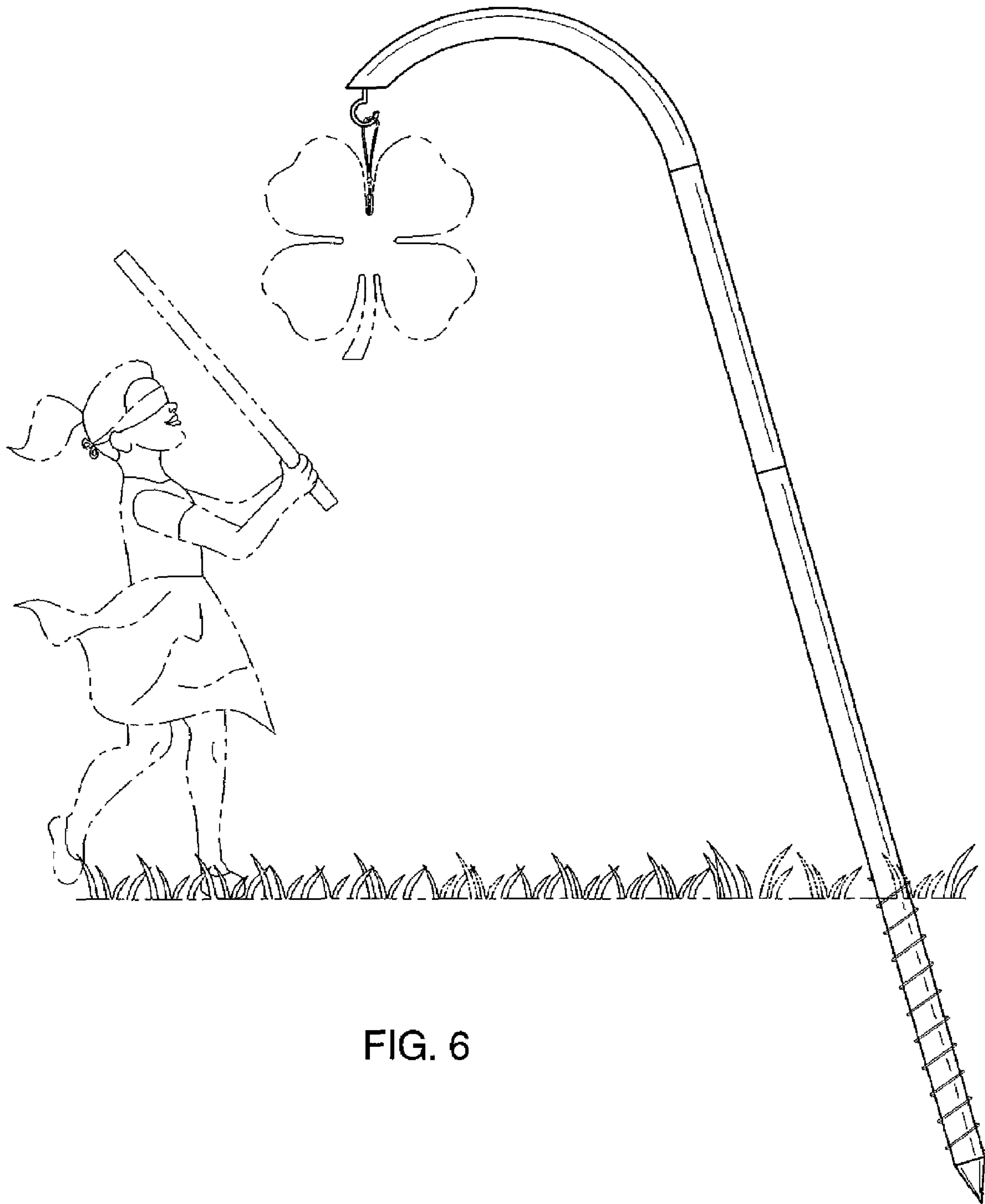


FIG. 6

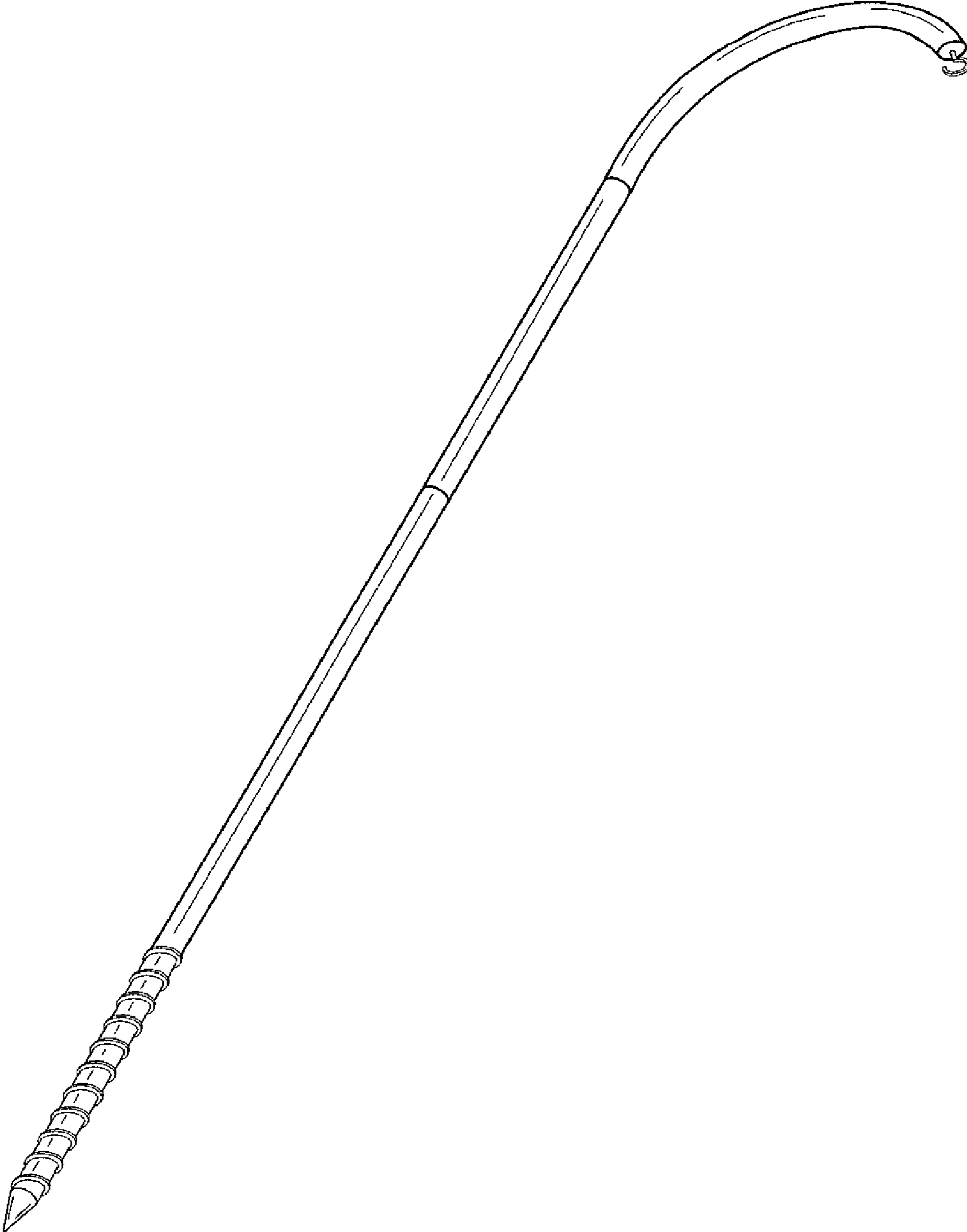


FIG. 7